



US00D754581S

(12) **United States Design Patent**
Gallert

(10) **Patent No.:** **US D754,581 S**
(45) **Date of Patent:** **** Apr. 26, 2016**

(54) **WHEEL FOR A MOTOR VEHICLE**

(71) Applicant: **Dr. Ing. h.c. F. Porsche**
Aktiengesellschaft, Stuttgart (DE)

(72) Inventor: **Michael Gallert, Stuttgart (DE)**

(73) Assignee: **Dr. Ing. h.c.F. Porsche**
Aktiengesellschaft (DE)

(**) Term: **14 Years**

(21) Appl. No.: **29/479,534**

(22) Filed: **Jan. 17, 2014**

(30) **Foreign Application Priority Data**

Jul. 19, 2013 (DE) 40 2013 100 711

(51) **LOC (10) CL.** **12-16**

(52) **U.S. CL.**
USPC **D12/209**

(58) **Field of Classification Search**
USPC D12/204–213
CPC B60B 7/00; B60B 7/02; B60B 7/04;
B60B 7/01; B60B 7/06; B60B 3/02; B60B
3/04; B60B 3/06; B60B 3/10; B60B 1/00;
B60B 1/08; B60B 1/10; B60B 1/12
See application file for complete search history.

(56) **References Cited**

U.S. PATENT DOCUMENTS

D414,155 S *	9/1999	Doyle	D12/211
D523,799 S *	6/2006	Ianniello	D12/209
D541,202 S *	4/2007	Baumgartner	D12/211
D547,251 S *	7/2007	Baum	D12/209
D553,069 S *	10/2007	Ettensberger	D12/211
D606,922 S *	12/2009	Thorsten	D12/211
D622,199 S *	8/2010	Gallert	D12/211
D630,992 S *	1/2011	Cortes	D12/211
D638,340 S *	5/2011	Park	D12/209
D638,770 S *	5/2011	Chung	D12/211

D648,255 S	11/2011	Scheinhutte	
D649,102 S	11/2011	Gallert	
D649,103 S	11/2011	Gallert	
D649,104 S	11/2011	Gallert	
D651,959 S *	1/2012	Groom D12/209
D656,879 S	4/2012	Gallert	
D661,239 S *	6/2012	Pollmann et al. D12/209
D664,910 S	8/2012	Gallert	
D670,226 S *	11/2012	Muller D12/211
D683,689 S *	6/2013	Fahr-Becker D12/211
D684,517 S	6/2013	Scheinhutte	
D684,912 S	6/2013	Yamashita	
D685,708 S	7/2013	Gallert	
D686,134 S *	7/2013	Amezqueta D12/211
D686,135 S	7/2013	Borkert	
D695,670 S *	12/2013	De Bono D12/209
D697,005 S *	1/2014	Juergens et al. D12/209
D708,110 S *	7/2014	Borkert et al. D12/211
D715,209 S *	10/2014	Tovey D12/209
D727,235 S *	4/2015	Hans D12/211

* cited by examiner

Primary Examiner — Stacia Cadmus

(74) *Attorney, Agent, or Firm* — Gerald E. Hespos; Michael J. Porco; Matthew T. Hespos

(57) **CLAIM**

The ornamental design of a wheel for a motor vehicle, as shown and described.

DESCRIPTION

FIG. 1 is a perspective view of a wheel for a motor vehicle in accordance with my design;

FIG. 2 is a front elevational view of the wheel for a motor vehicle of FIG. 1;

FIG. 3 is a top plan view thereof;

FIG. 4 is a left side elevation view;

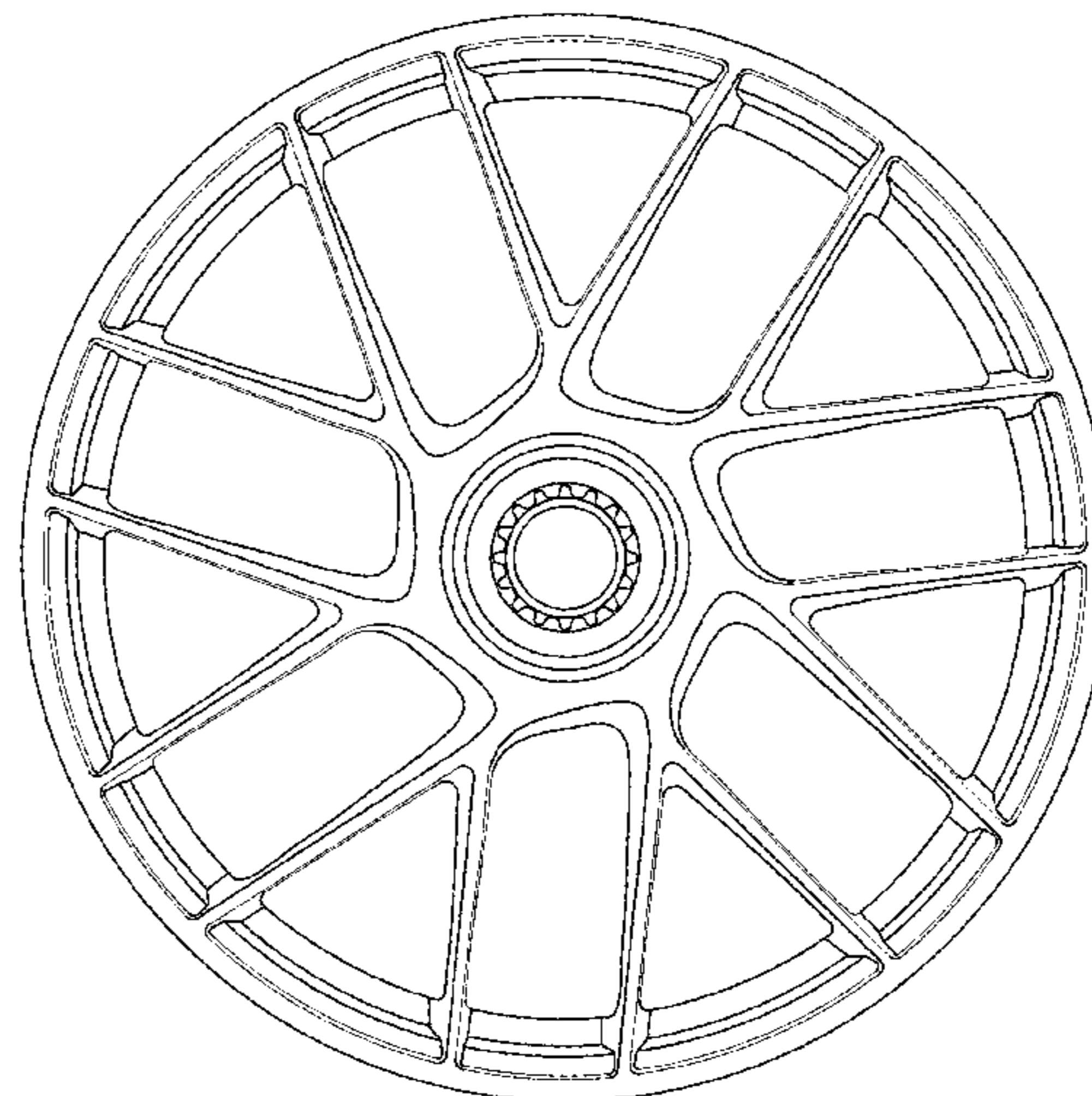
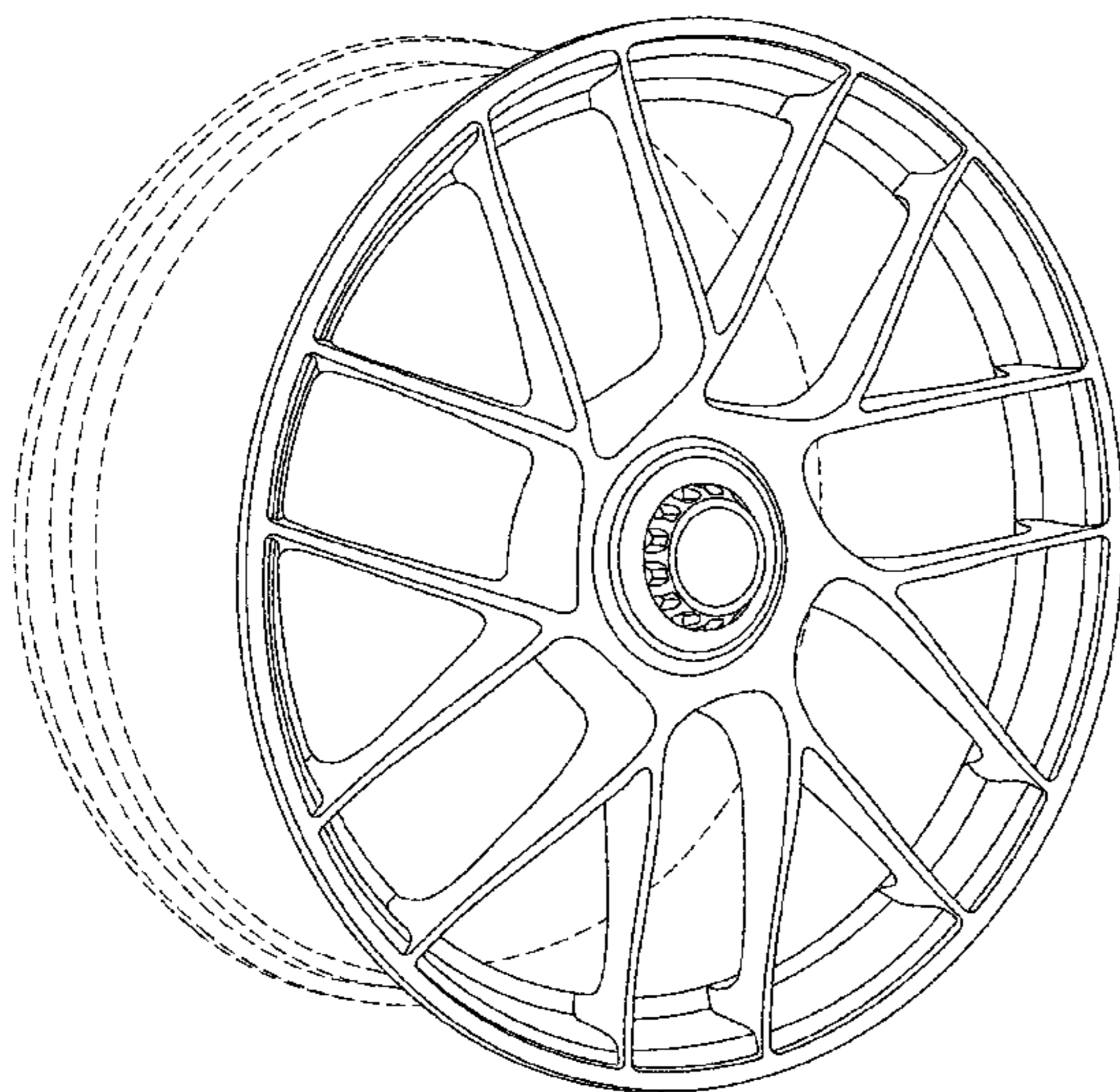
FIG. 5 is a right side elevation view;

FIG. 6 is a bottom plan view thereof; and,

FIG. 7 is a rear elevational view of thereof.

The broken lines are for illustration purposes only and form no part of the claimed design.

1 Claim, 6 Drawing Sheets



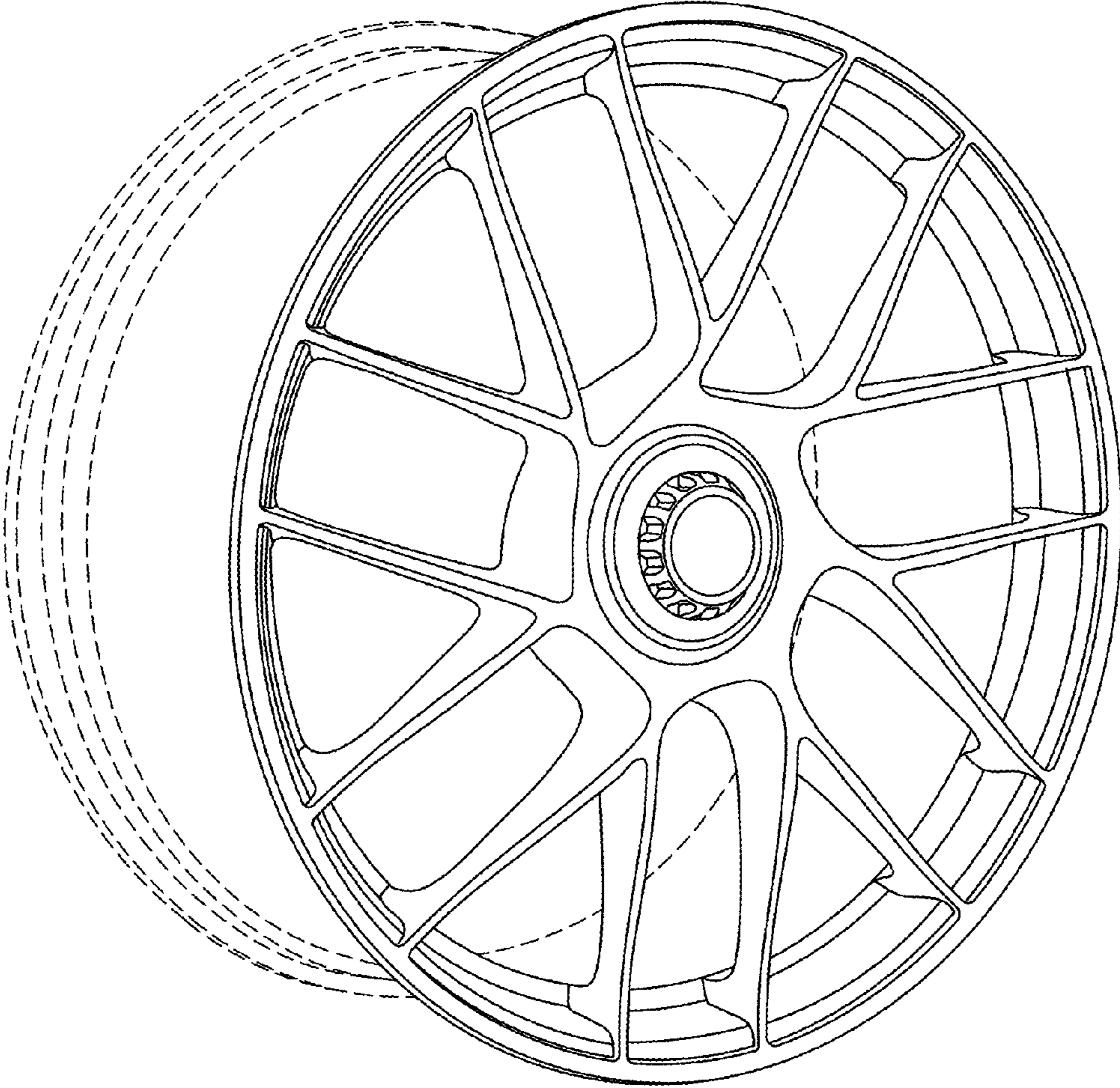


FIG. 1

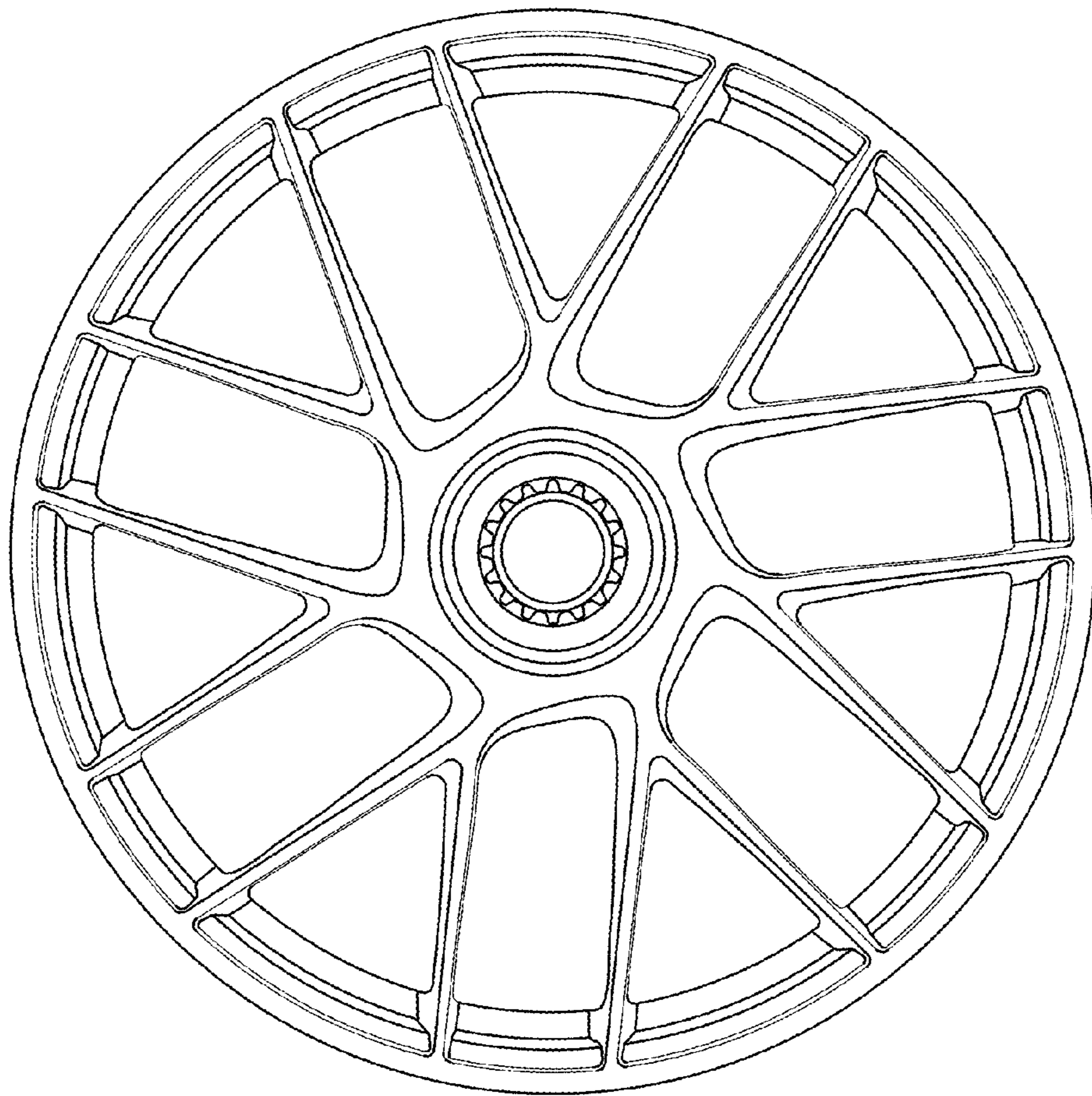


FIG.2

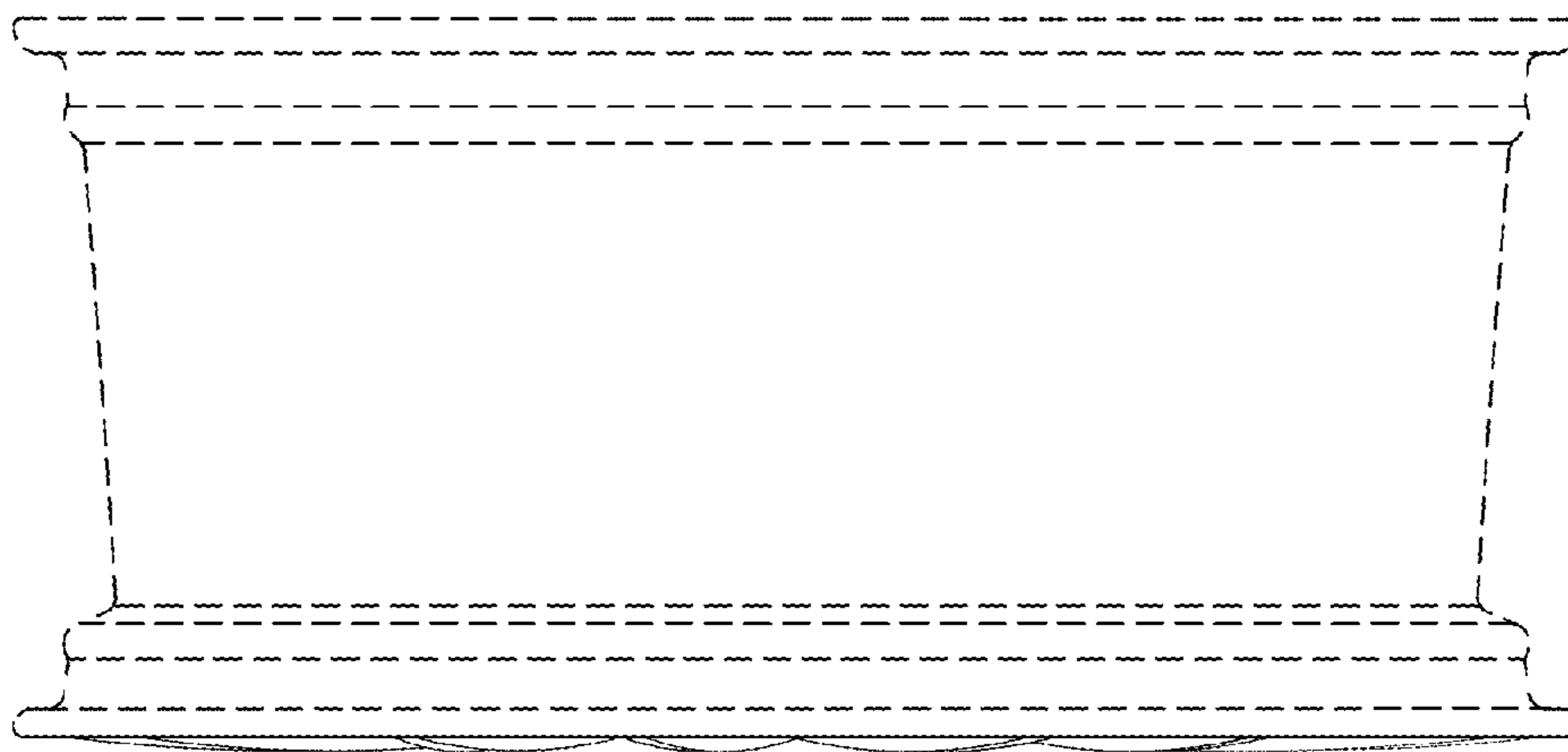


FIG. 3

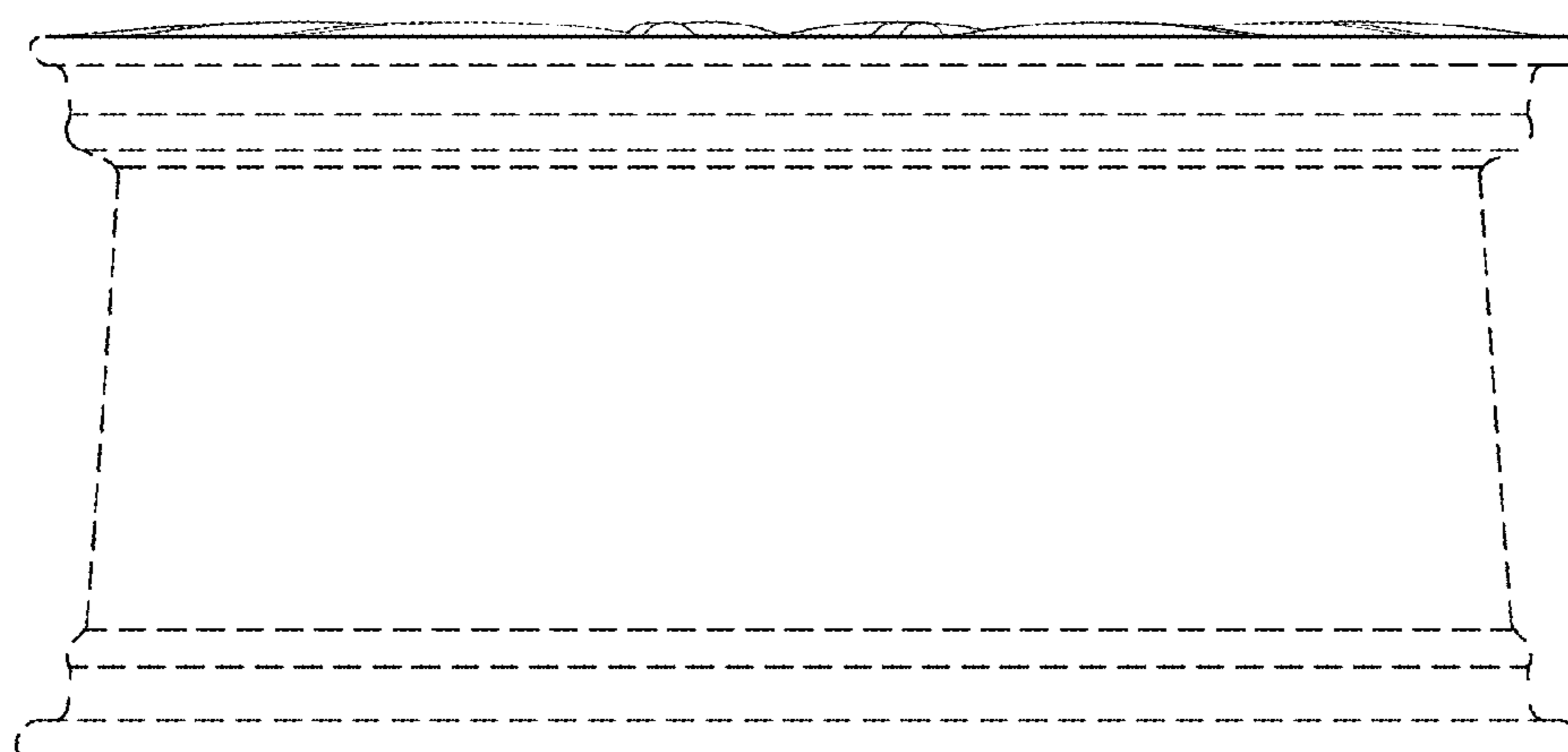


FIG. 6

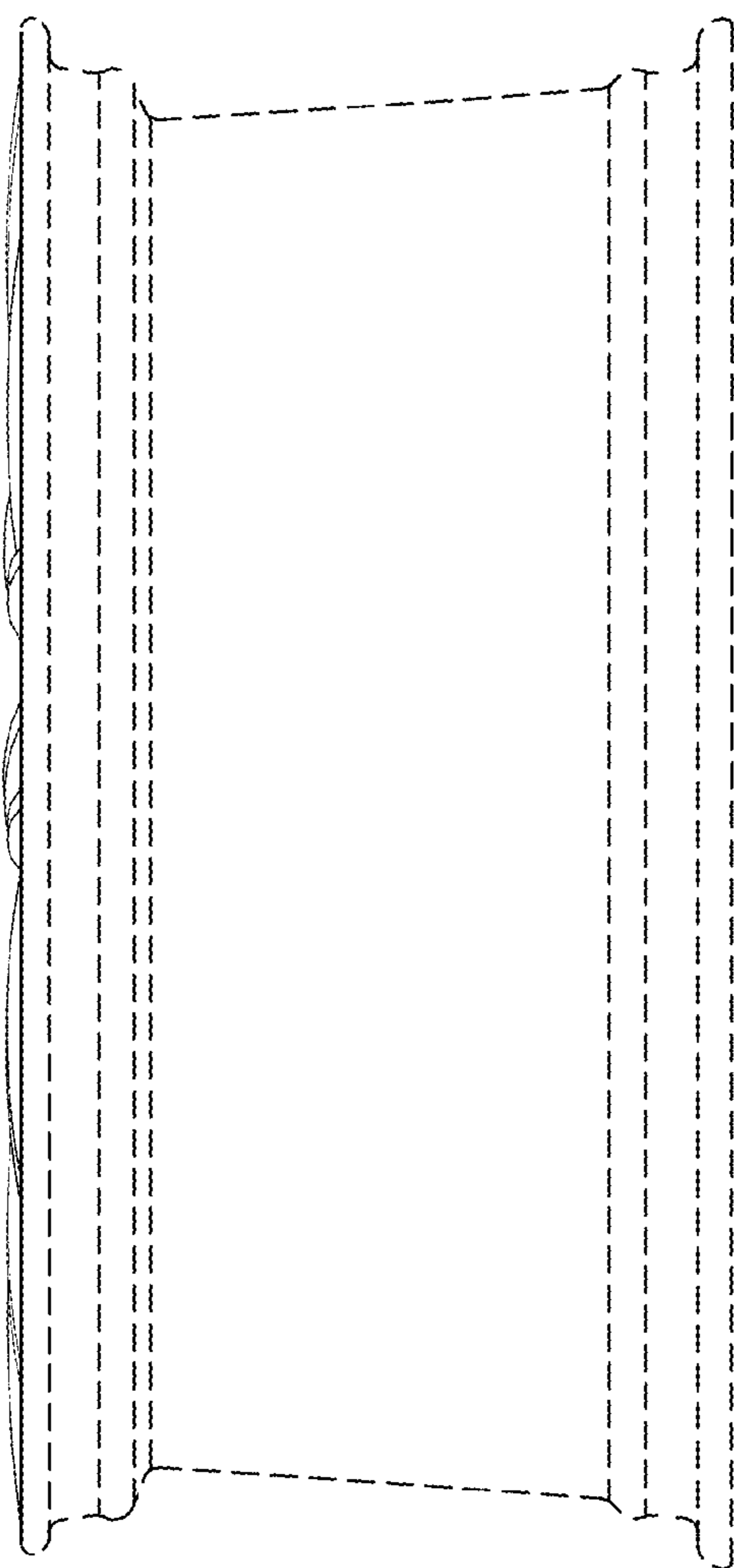


FIG.4

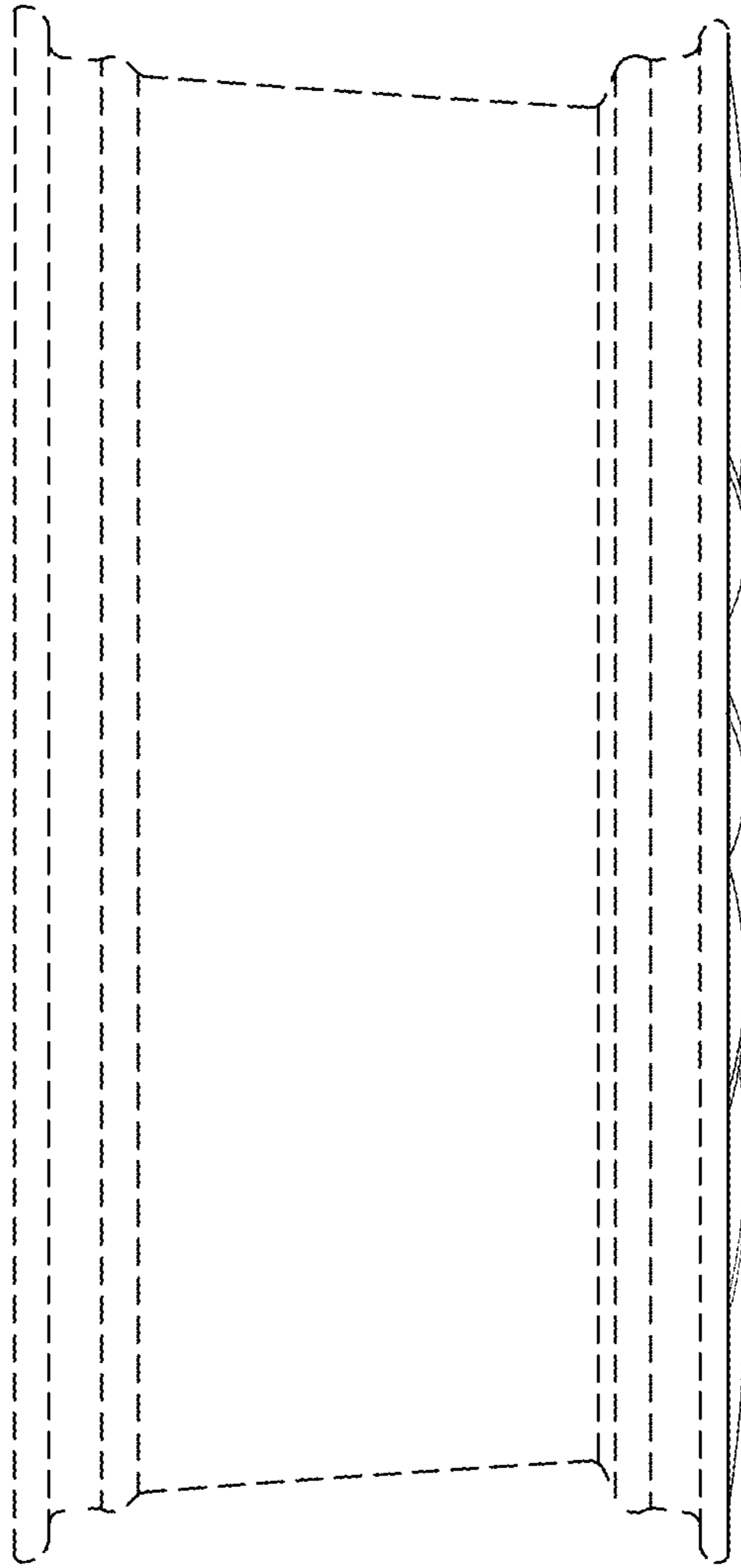


FIG.5

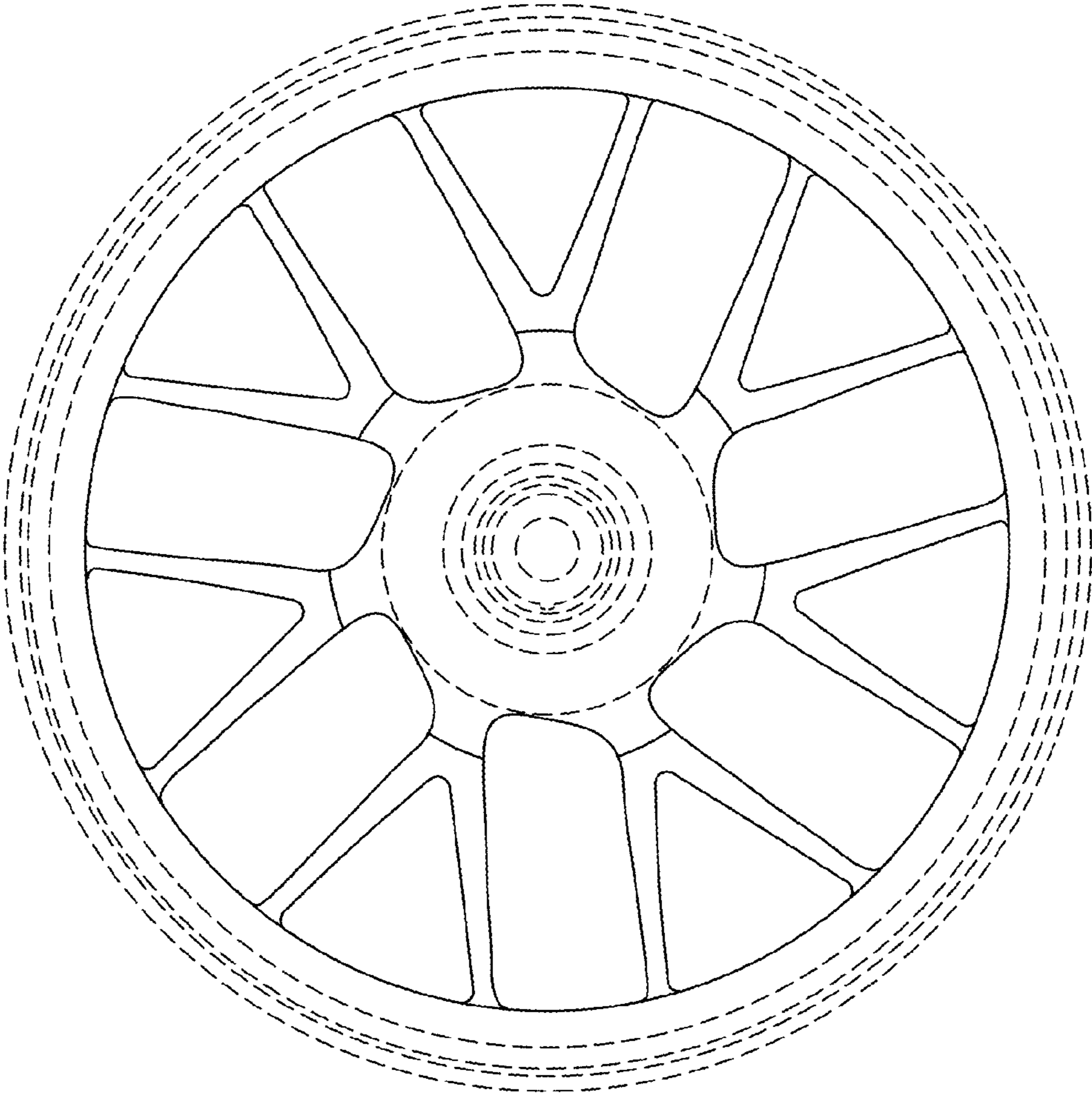


FIG.7