



US00D754576S

(12) **United States Design Patent**
Nissl

(10) **Patent No.:** **US D754,576 S**
(45) **Date of Patent:** **** Apr. 26, 2016**

(54) **REAR BUMPER FOR A VEHICLE**
(71) Applicant: **Bayerische Motoren Werke Aktiengesellschaft, Munich (DE)**
(72) Inventor: **Florian Dieter Nissl, Munich (DE)**
(73) Assignee: **Bayerische Motoren Werke Aktiengesellschaft, Munich (DE)**

(**) Term: **14 Years**
(21) Appl. No.: **29/512,114**

(22) Filed: **Dec. 17, 2014**

(30) **Foreign Application Priority Data**
Jun. 18, 2014 (DE) 40 2014 100 517
(51) **LOC (10) Cl.** **12-16**
(52) **U.S. Cl.**
USPC **D12/169**
(58) **Field of Classification Search**
USPC D12/86, 90, 91, 92, 163, 164, 169, 171,
D12/196, 216; 180/68.4, 68.6; 293/102,
293/112, 113, 115, 117, 120; 296/180.1,
296/180.2
CPC B60R 19/02; B60R 19/18; B60R 19/24;
B60R 19/56; B60R 2019/007; B62D 25/0845
See application file for complete search history.

(56) **References Cited**
U.S. PATENT DOCUMENTS
D546,250 S 7/2007 Hettler
D638,760 S * 5/2011 Okada D12/169
D640,617 S * 6/2011 Furst D12/169
D678,826 S * 3/2013 Akamine D12/169
D695,164 S * 12/2013 Futschik D12/169
D695,168 S * 12/2013 Kawasaki D12/169
D712,800 S * 9/2014 Kang D12/169
D714,196 S * 9/2014 Mays D12/169
D715,708 S * 10/2014 Mays D12/169

D735,097 S * 7/2015 Nissl D12/169
D738,800 S * 9/2015 Mueller-Stolz D12/169
2013/0037338 A1* 2/2013 Harunari B60K 1/04
180/68.5
2014/0091584 A1* 4/2014 McConnell B60R 19/18
293/120
2015/0138810 A1* 5/2015 Salter F21S 48/214
362/510

FOREIGN PATENT DOCUMENTS

WO DM/065120 4/2004
WO DM/067152 12/2005

* cited by examiner

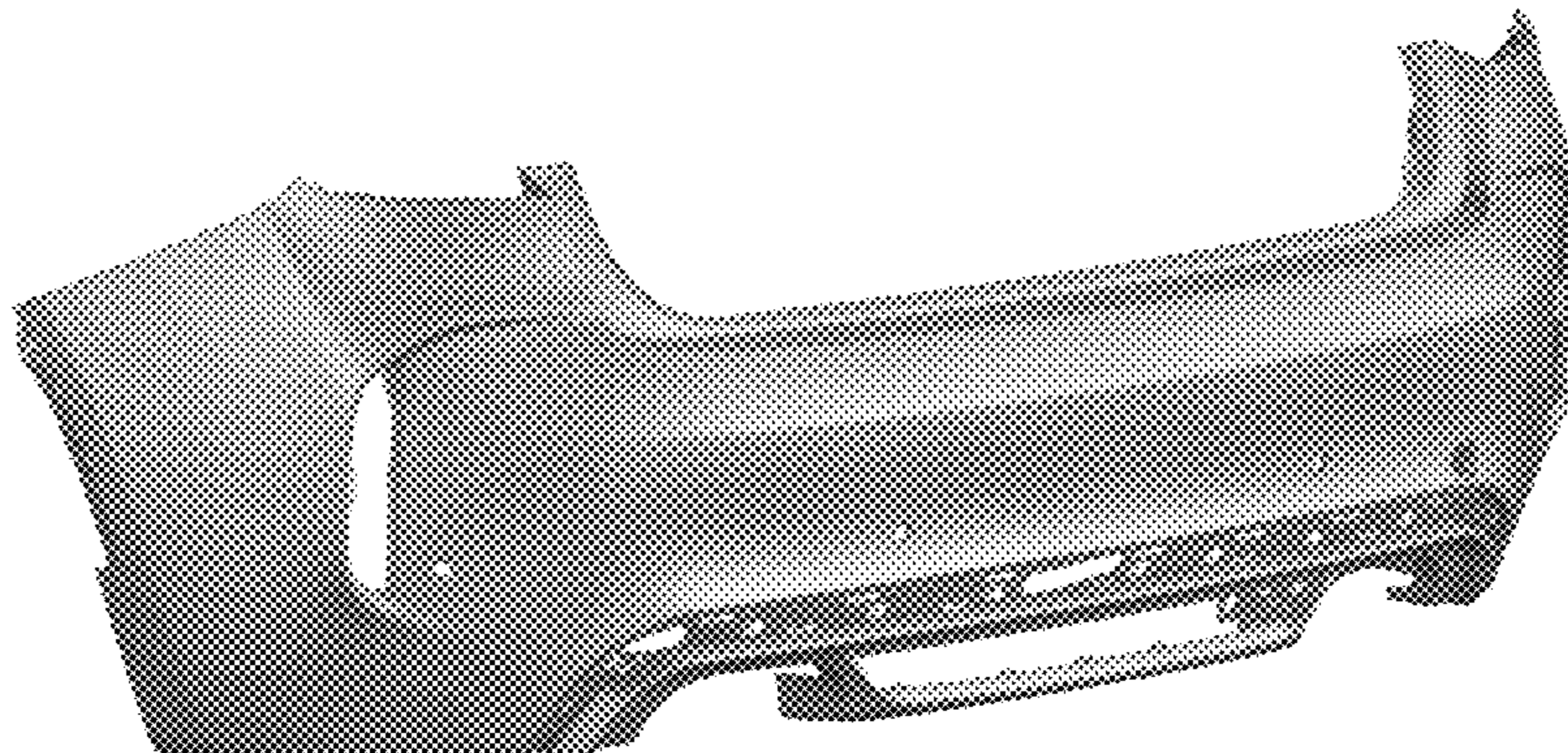
Primary Examiner — Philip S Hyder
Assistant Examiner — Darlington Ly
(74) *Attorney, Agent, or Firm* — Crowell & Moring LLP

(57) **CLAIM**
The ornamental design for a rear bumper for a vehicle, as shown and described.

DESCRIPTION

This application contains subject matter related to the following co-pending U.S. design patent applications:
Application Ser. No. 29/512,110, filed herewith and entitled “Vehicle, Toy, and/or Replicas Thereof”;
Application Ser. No. 29/512,112, filed herewith and entitled “Rear Bumper for a Vehicle” and
Application Ser. No. 29/512,113, filed herewith and entitled “Vehicle, Toy, and/or Replicas Thereof”.
FIG. 1 is a front view of a rear bumper for a vehicle according to the design;
FIG. 2 is a left, front perspective view thereof;
FIG. 3 is a right, front perspective view thereof;
FIG. 4 is a left side view thereof;
FIG. 5 is a right side view thereof;
FIG. 6 is a top view thereof;
FIG. 7 is a bottom view thereof; and,
FIG. 8 is a rear view thereof.

1 Claim, 8 Drawing Sheets



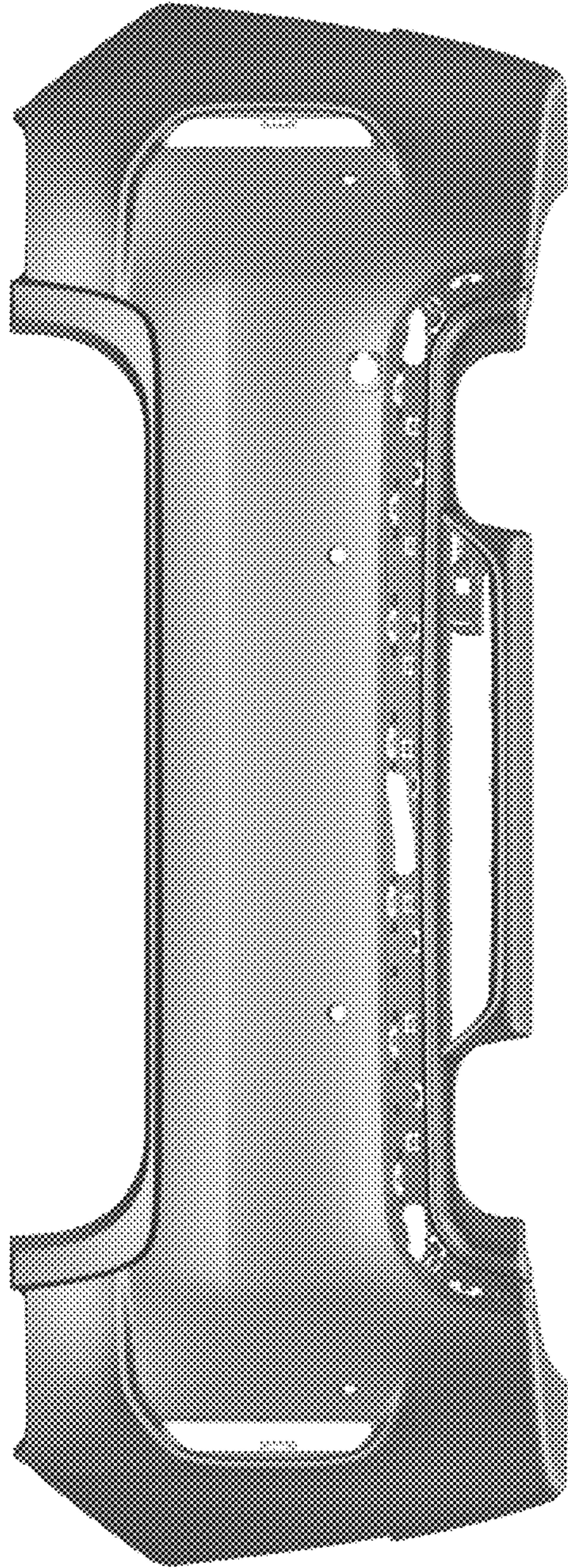


Fig. 1

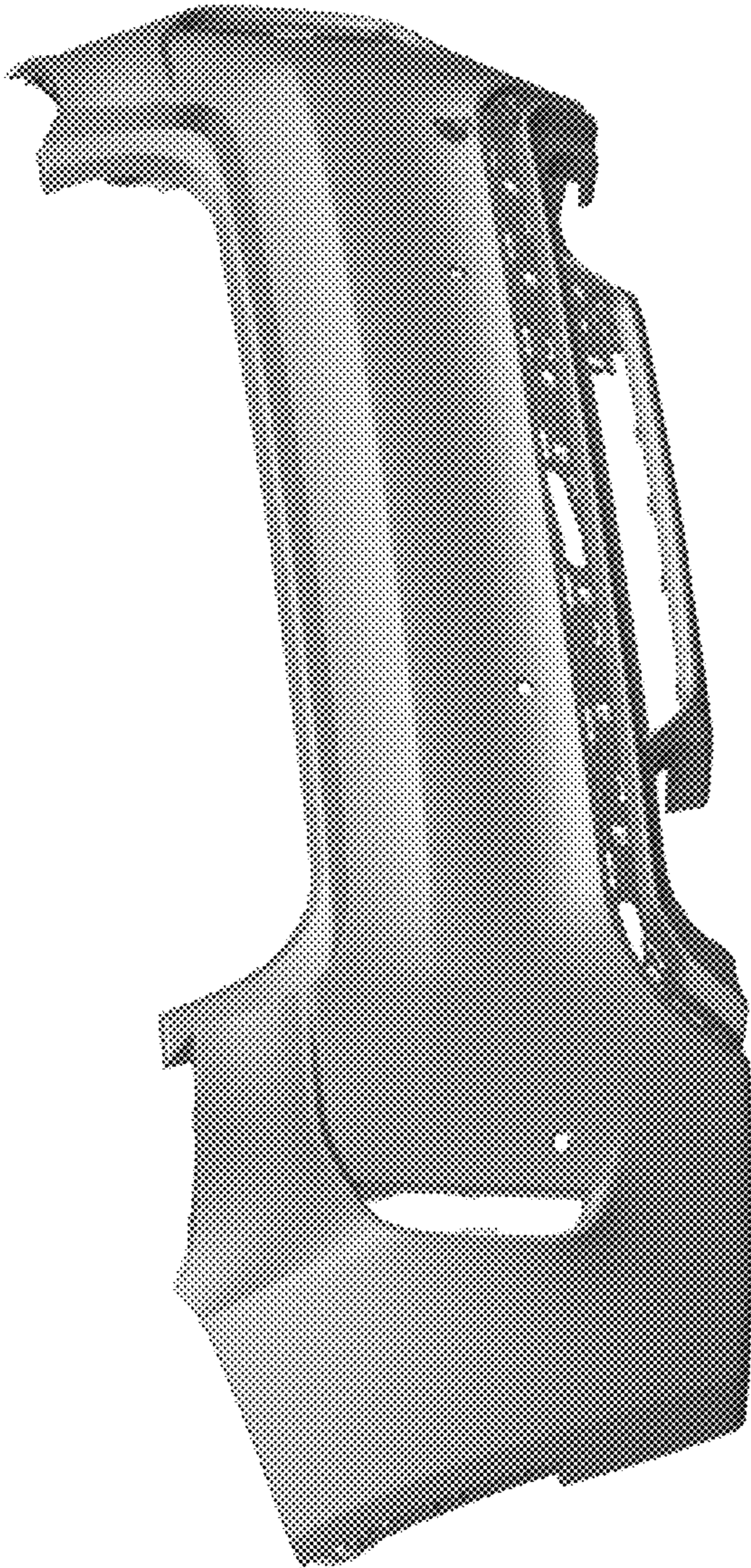


Fig. 2

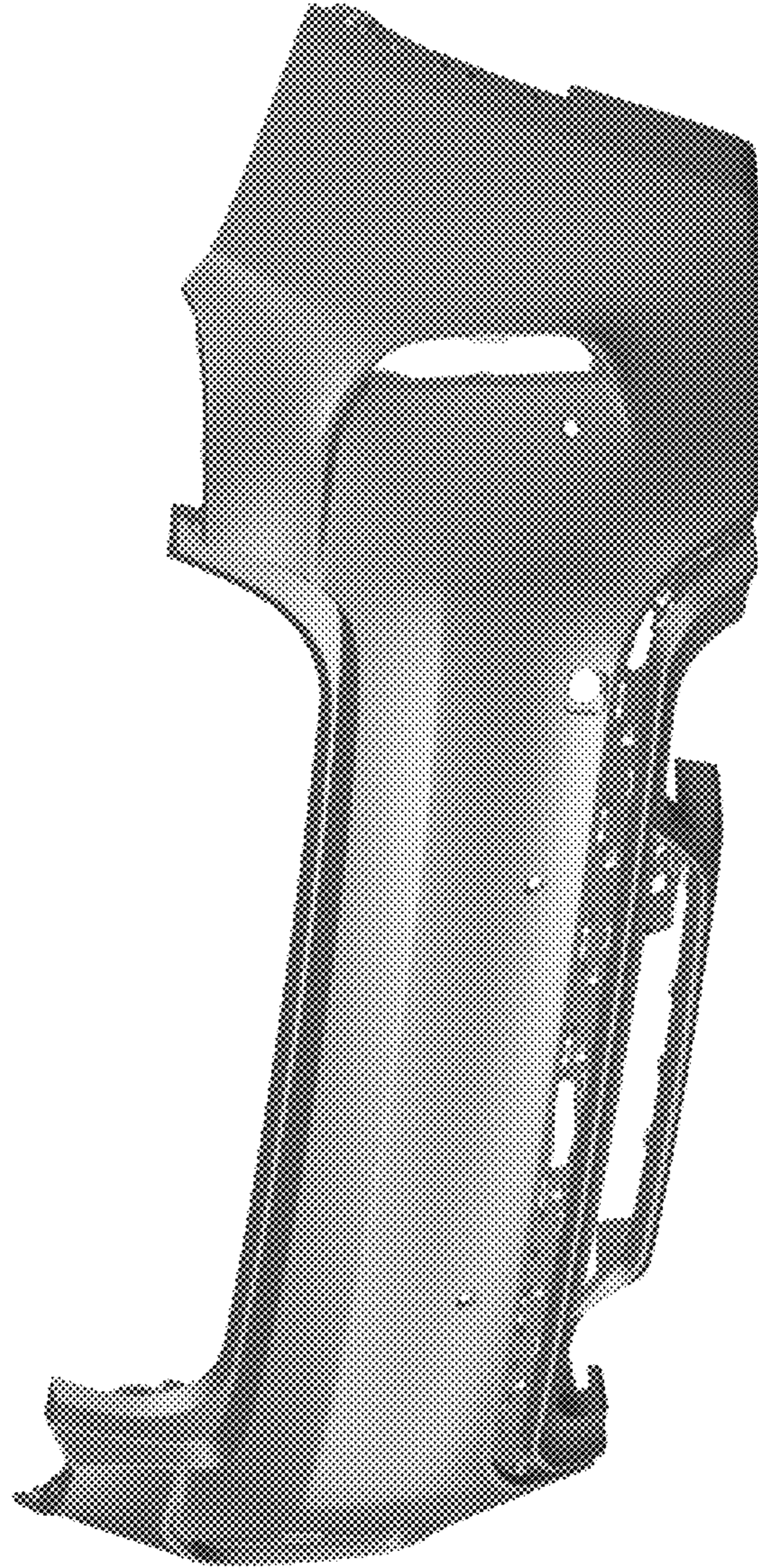


Fig. 3

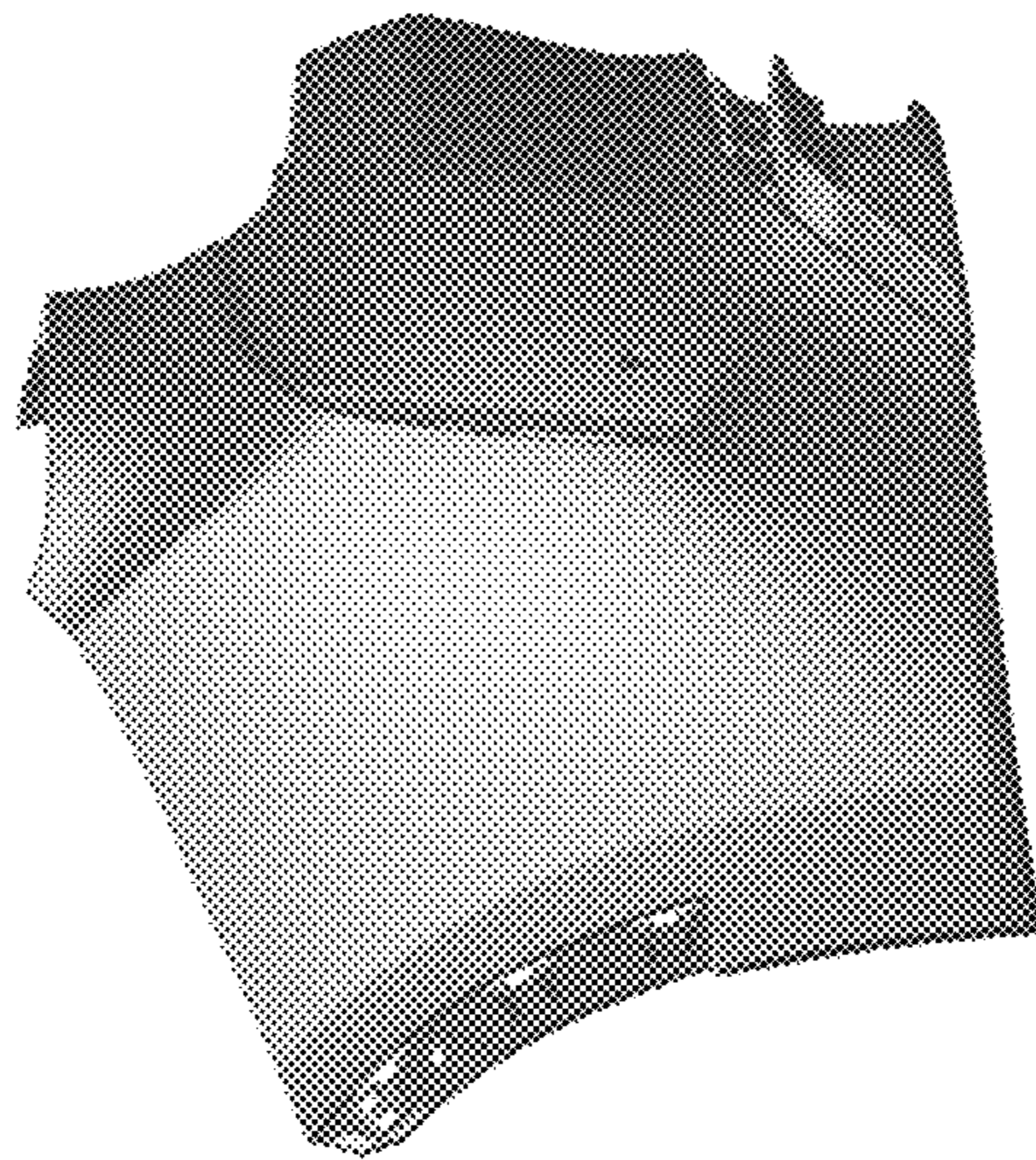


Fig. 4

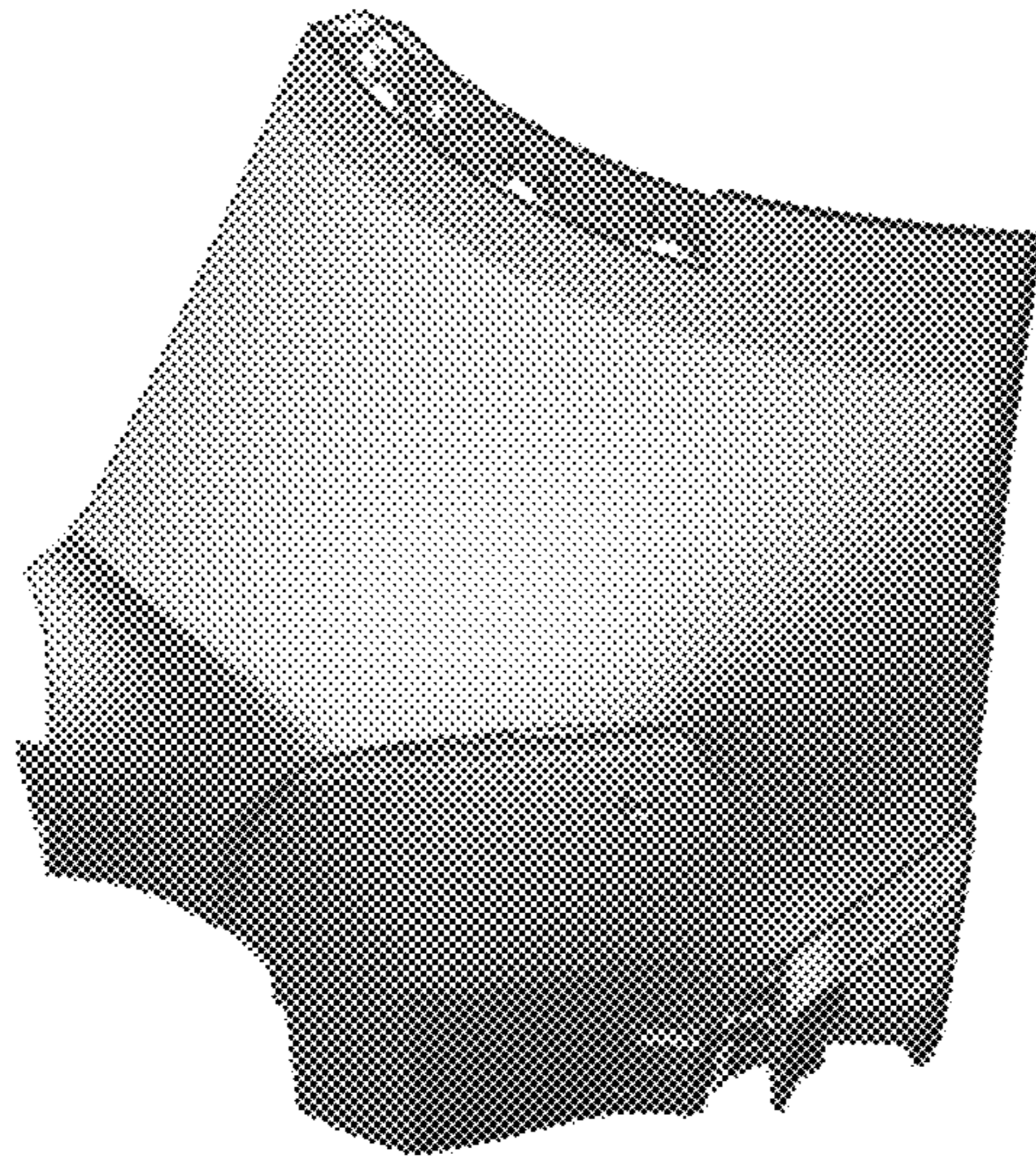


Fig. 5

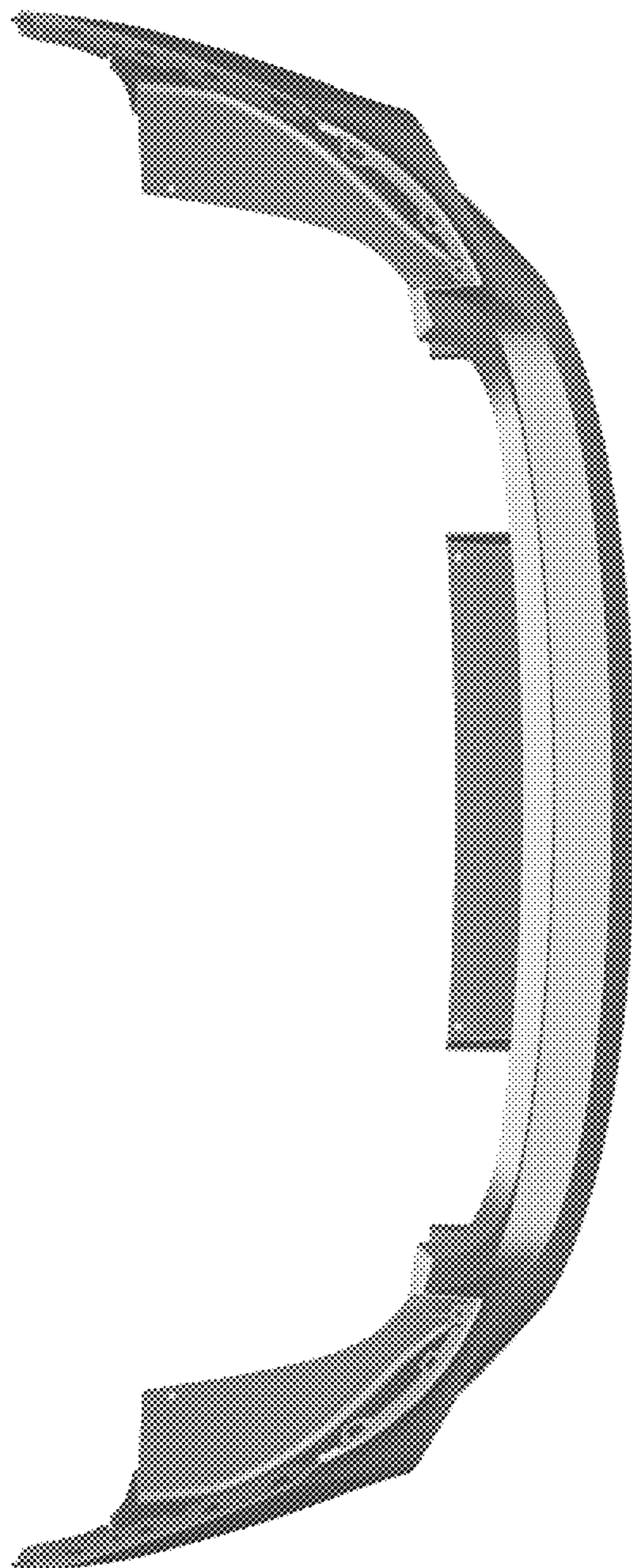


Fig. 6

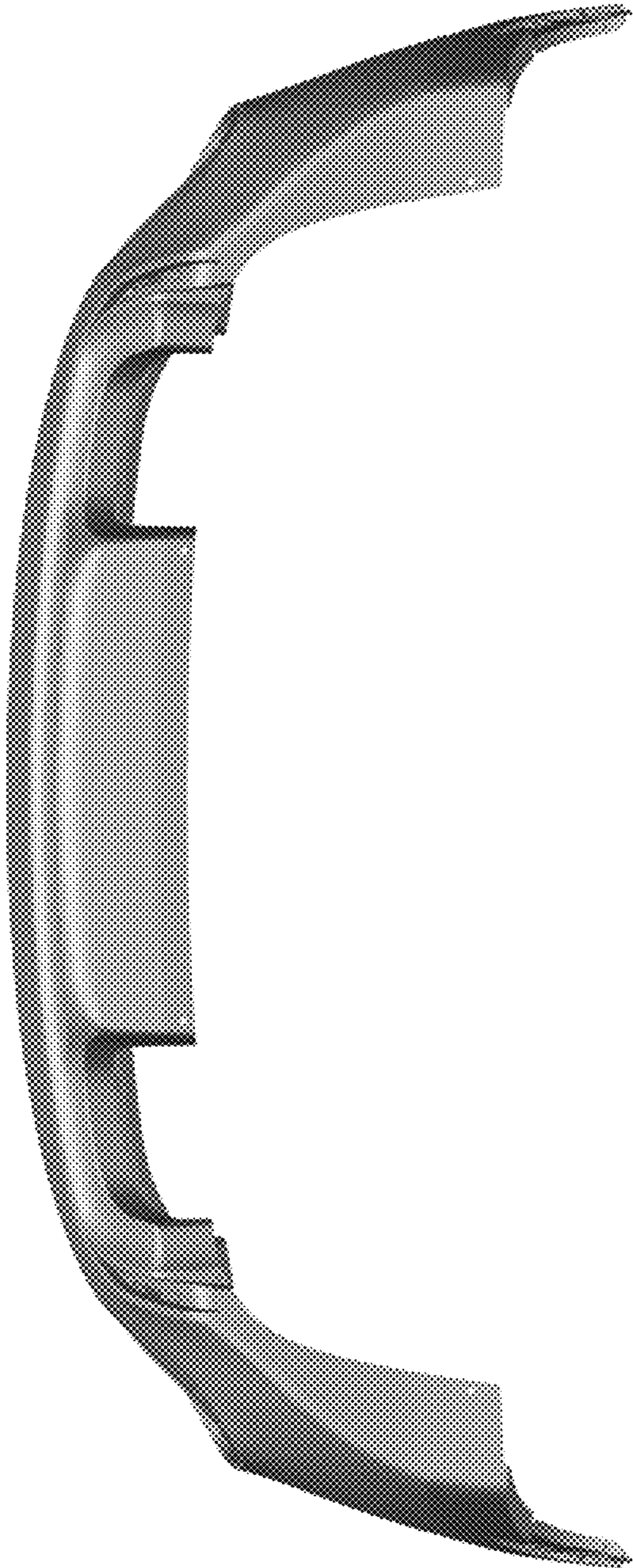


Fig. 7

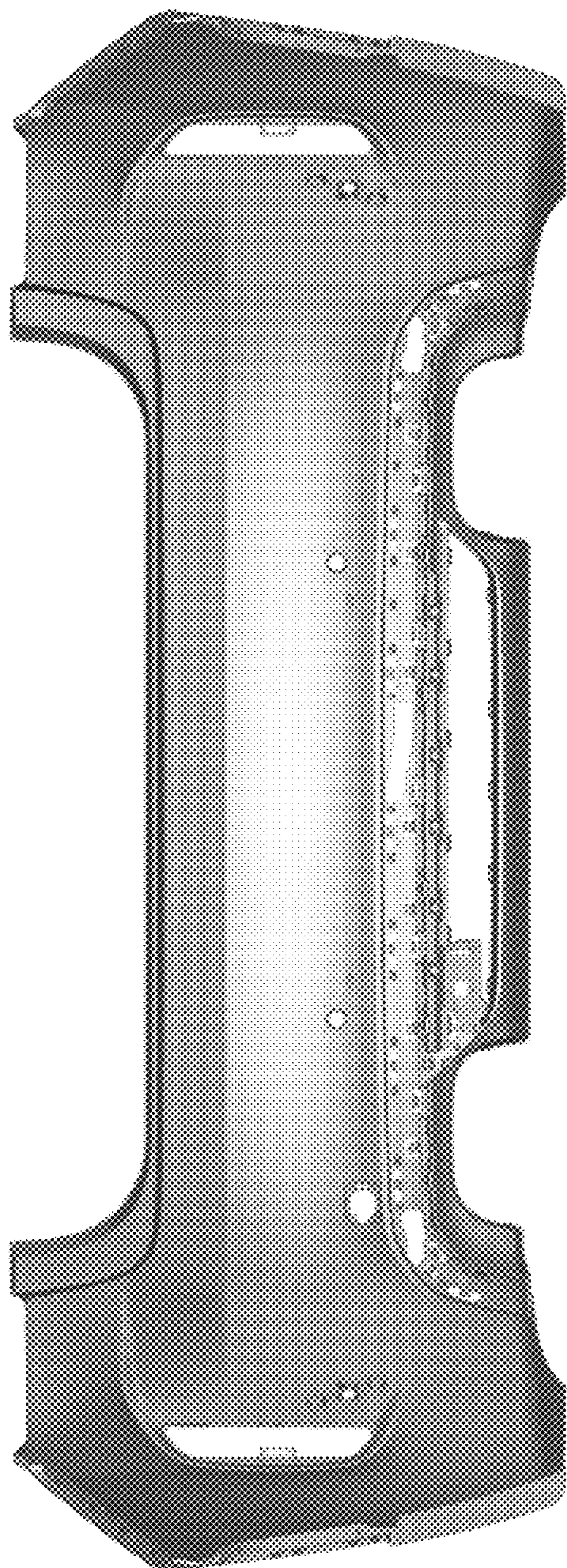


Fig. 8