



US00D754568S

(12) **United States Design Patent**
Wang et al.

(10) **Patent No.:** **US D754,568 S**
(45) **Date of Patent:** **** Apr. 26, 2016**

(54) **ROLLATOR**
(71) Applicant: **Medline Industries, Inc.**, Mundelein, IL (US)

D289,507 S 4/1987 Danielsson
5,058,912 A 10/1991 Harroun
5,060,967 A 10/1991 Hultstrum
5,224,731 A 7/1993 Johnson

(Continued)

(72) Inventors: **Zhiliang Wang**, Zhongshan (CN);
Margaret Mary Andersen, Chicago, IL (US); **Brian Monegas Ramirez**,
Chicago, IL (US)

FOREIGN PATENT DOCUMENTS

EP 2343035 8/2012
JP D1148308 7/2002

(Continued)

(73) Assignee: **Medline Industries, Inc.**, Mundelein, IL (US)

OTHER PUBLICATIONS

(**) Term: **15 Years**

Taiwanese Search Report from TW102303182 Dated Jul. 17, 2014.

(Continued)

(21) Appl. No.: **29/536,690**

(22) Filed: **Aug. 19, 2015**

Primary Examiner — Susan Hattan

Assistant Examiner — Charles Hanson

(74) *Attorney, Agent, or Firm* — Fitch, Even, Tabin & Flannery LLP

Related U.S. Application Data

(63) Continuation of application No. 29/477,933, filed on Dec. 30, 2013, now Pat. No. Des. 739,314.

(51) **LOC (10) Cl.** **12-12**

(52) **U.S. Cl.**
USPC **D12/130**

(58) **Field of Classification Search**
USPC D12/128–133
CPC ... A61G 5/10; A61G 2005/1054; A61G 5/08;
A61G 5/00; A61G 2005/0891; A61G
2005/0825; A61G 5/14; B62M 1/14
See application file for complete search history.

(57) **CLAIM**

We claim the ornamental design for a rollator, as shown and described.

DESCRIPTION

FIG. 1 is a front perspective view of a rollator in accordance with our new design;
FIG. 2 is a rear perspective view thereof;
FIG. 3 is a right side elevational view thereof;
FIG. 4 is a left side elevational view thereof;
FIG. 5 is a front elevational view thereof;
FIG. 6 is a rear elevational view thereof;
FIG. 7 is a top plan view thereof; and,
FIG. 8 is a bottom plan view thereof.
The broken lines are included for the purpose of illustrating the unclaimed portions of the rollator and form no part of the claim.

(56) **References Cited**

U.S. PATENT DOCUMENTS

474,666 A 5/1892 Krehbiel
3,186,759 A 6/1965 Reeves
3,338,628 A 8/1967 Evans
4,211,309 A 7/1980 Ruggiero
4,229,039 A 10/1980 Day
4,341,381 A 7/1982 Norberg
D281,771 S 12/1985 Webb

1 Claim, 8 Drawing Sheets



(56)

References Cited

U.S. PATENT DOCUMENTS

5,320,122 A 6/1994 Jacobson, II
 5,364,120 A 11/1994 Shimansky
 5,419,571 A 5/1995 Vaughan
 D360,174 S 7/1995 Kjell
 D367,833 S 3/1996 Ahlbertz
 D372,890 S 8/1996 Ferm
 5,741,020 A 4/1998 Harroun
 D396,437 S 7/1998 Liljedahl
 5,904,168 A 5/1999 Alulyan
 6,338,493 B1 1/2002 Wohlgemuth
 6,378,883 B1 4/2002 Epstein
 D503,909 S 4/2005 Tolfsen
 D519,423 S 4/2006 Tolfsen
 7,192,043 B1 3/2007 McLuen
 7,219,906 B2 5/2007 Hallgrimsson
 7,306,246 B2 12/2007 Gale
 D560,563 S 1/2008 Fransson
 7,379,734 B2 5/2008 Sato
 7,484,740 B2 2/2009 Miller
 7,628,411 B2 12/2009 Meyers
 D623,992 S 9/2010 Derks
 D633,830 S 3/2011 Derks
 7,918,473 B2 4/2011 Yao
 8,646,804 B2 2/2014 Derks
 8,851,502 B2 * 10/2014 Gaudiano A61H 3/04
 135/67
 8,936,262 B2 * 1/2015 Nabeta A61H 3/04
 135/67
 8,998,223 B2 * 4/2015 Chang F16D 59/02
 188/20
 D736,121 S 8/2015 Wang
 D739,314 S * 9/2015 Wang D12/130

9,173,802 B2 * 11/2015 Willis A61H 3/04
 2002/0079663 A1 6/2002 Hallgrimsson
 2002/0153684 A1 * 10/2002 Sung A61H 3/04
 280/87.021
 2004/0079405 A1 * 4/2004 Sanders A61H 3/04
 135/67
 2004/0104559 A1 * 6/2004 Chen A61H 3/04
 280/642
 2004/0245737 A1 12/2004 Hallgrimsson
 2005/0001398 A1 * 1/2005 Serhan A61H 3/04
 280/87.01
 2006/0284040 A1 12/2006 Nixon
 2007/0034243 A1 2/2007 Miller
 2007/0170699 A1 * 7/2007 Li A61H 3/04
 280/642
 2007/0267054 A1 * 11/2007 Meyers A61H 3/04
 135/67
 2008/0111349 A1 * 5/2008 Willis A61H 3/04
 280/648
 2009/0033052 A1 * 2/2009 Bradshaw A61H 3/04
 280/87.021
 2010/0301574 A1 12/2010 Derks

FOREIGN PATENT DOCUMENTS

JP D1292289 1/2007
 TW D107853 11/2005
 TW D127741 3/2009

OTHER PUBLICATIONS

PCT Patent Application No. PCT/US2013/068116; International Search Report and Written Opinion Dated Feb. 13, 2014.

* cited by examiner

FIG. 1



FIG. 2

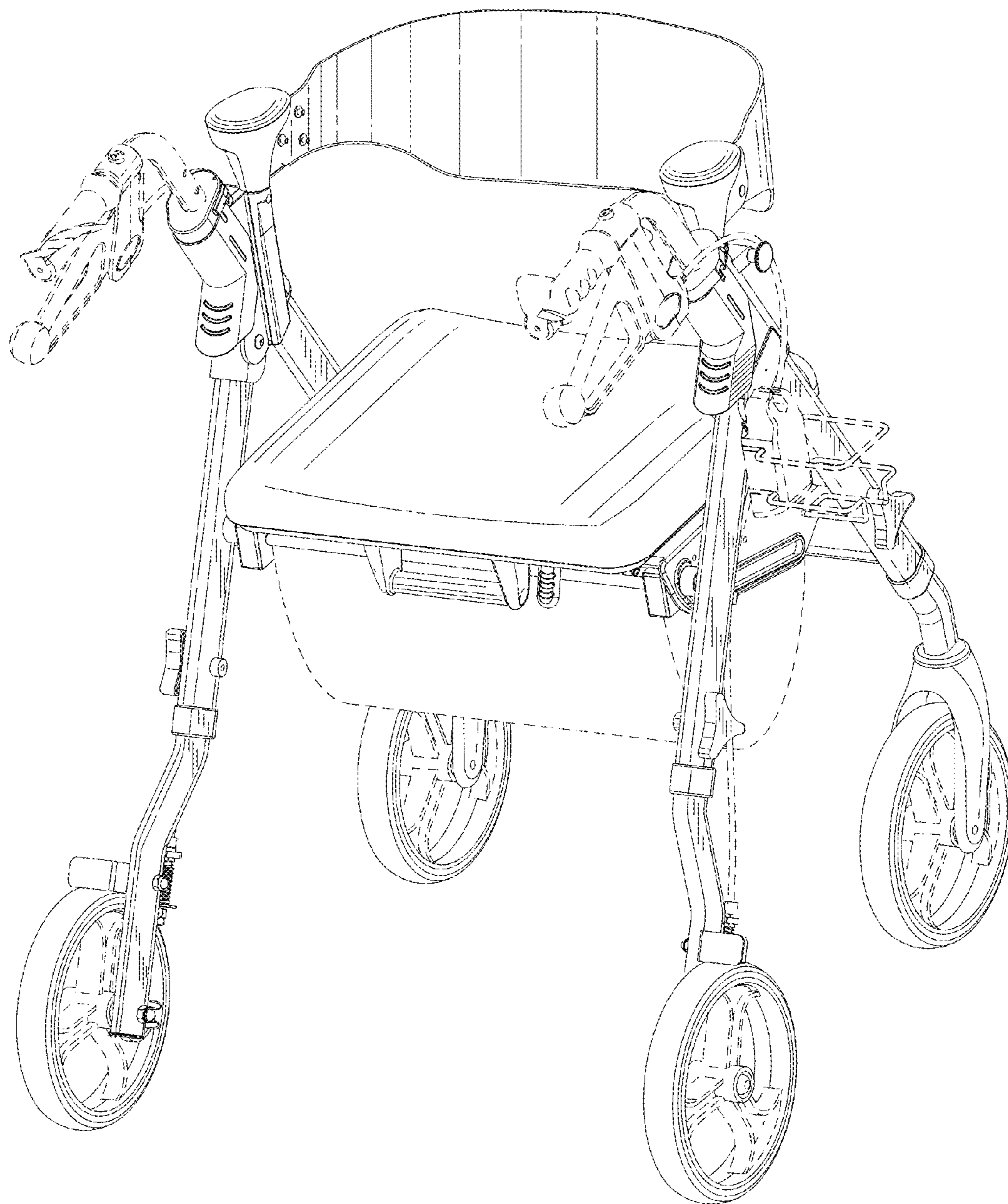


FIG. 3

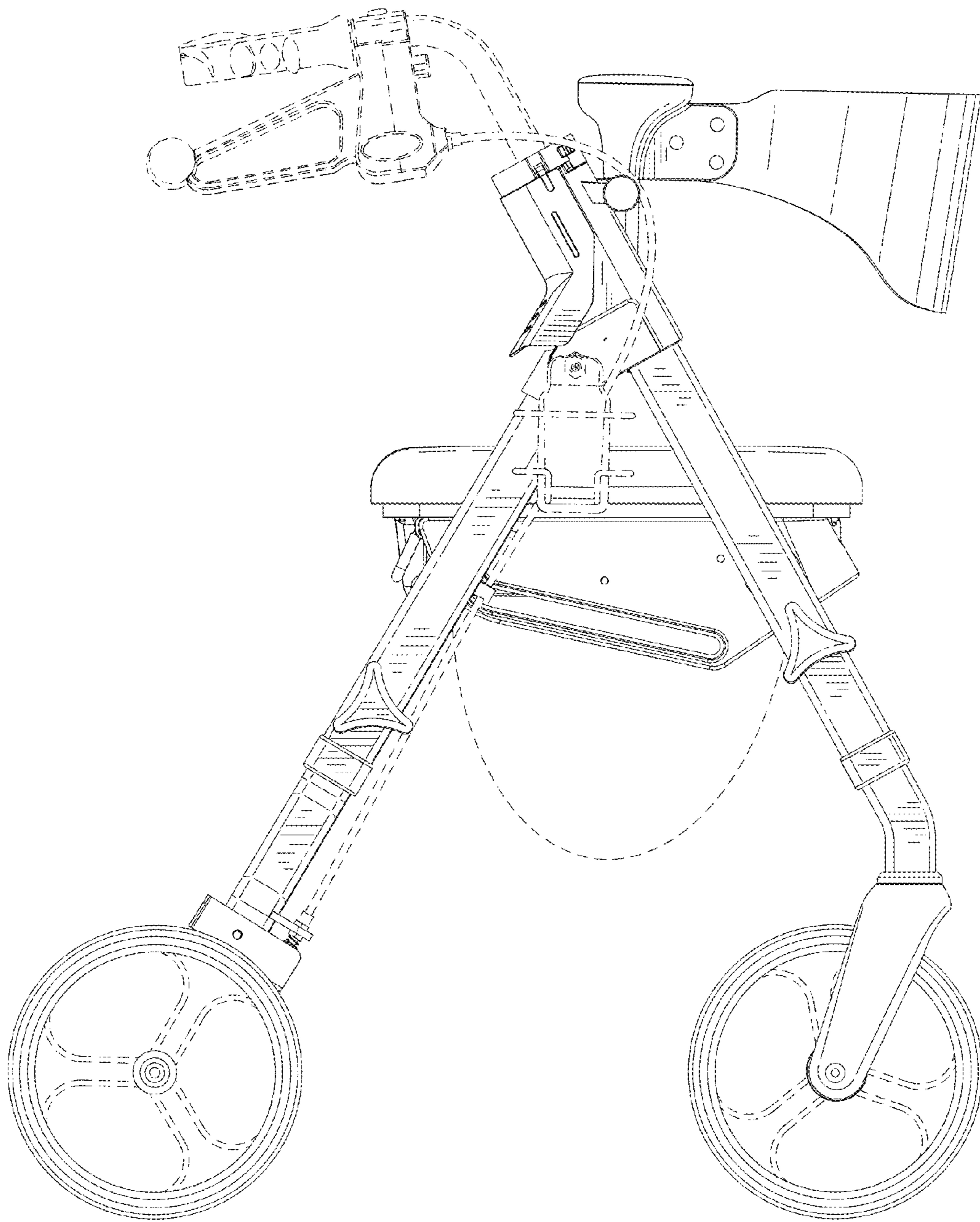


FIG. 4

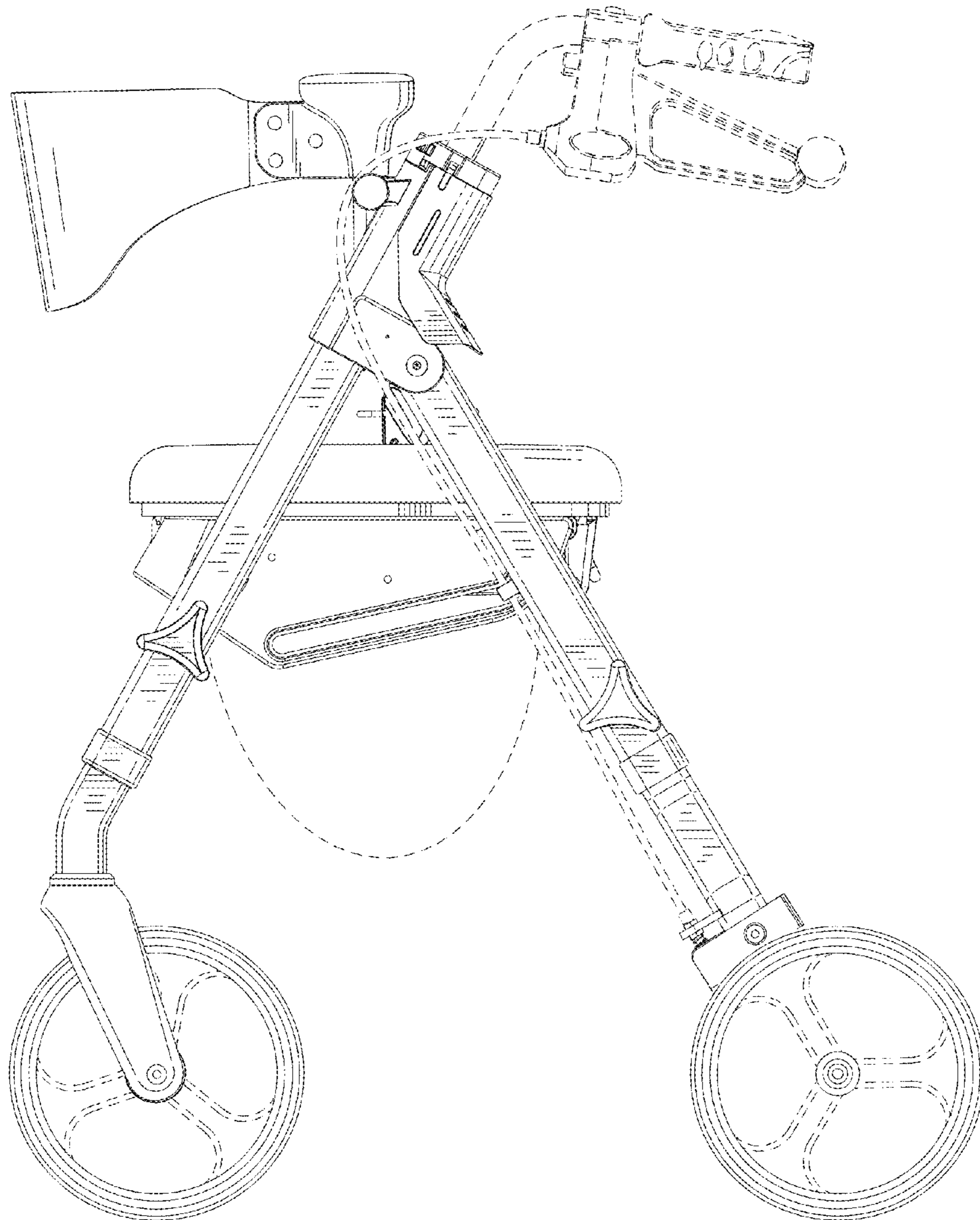


FIG. 5

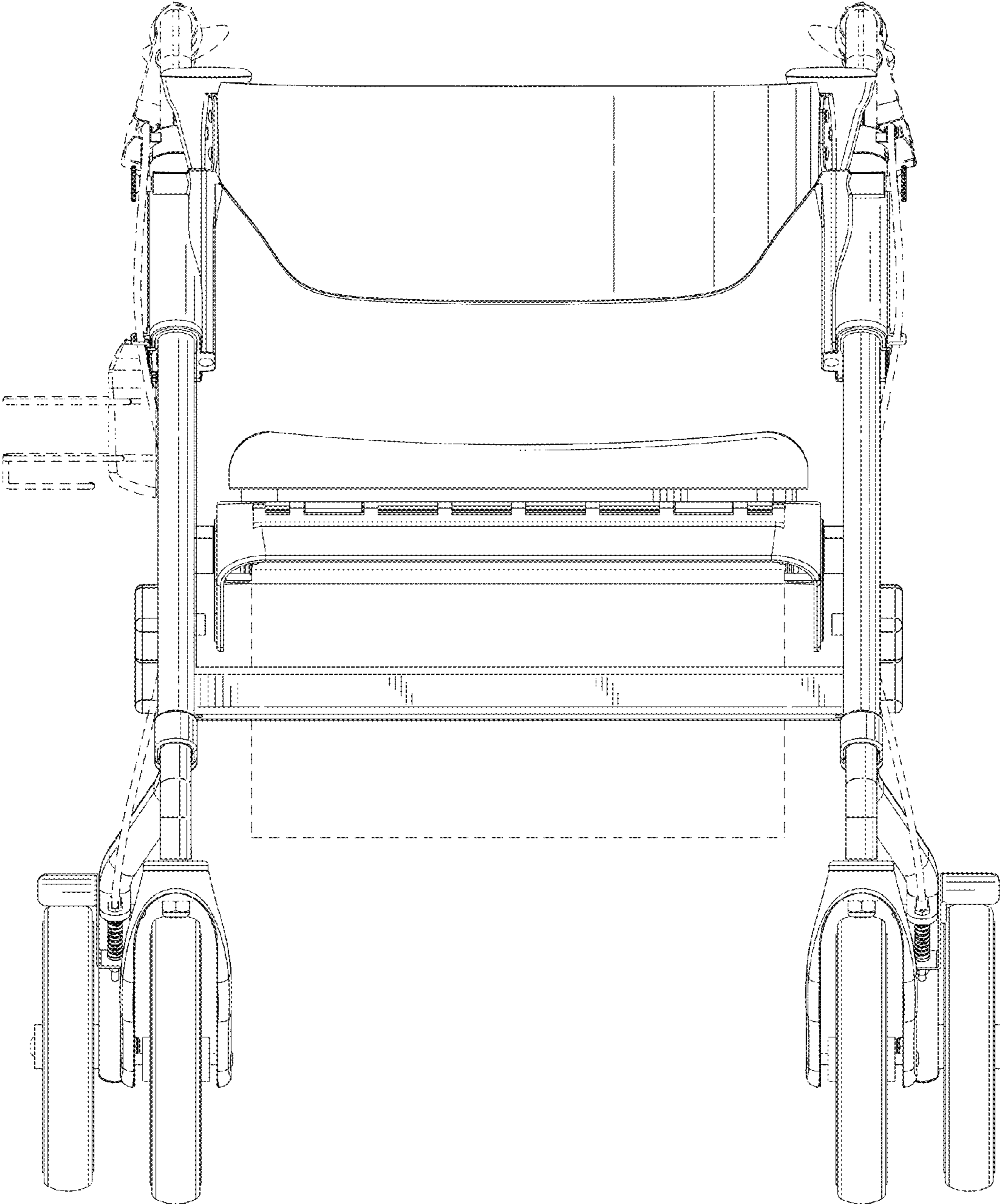


FIG. 6

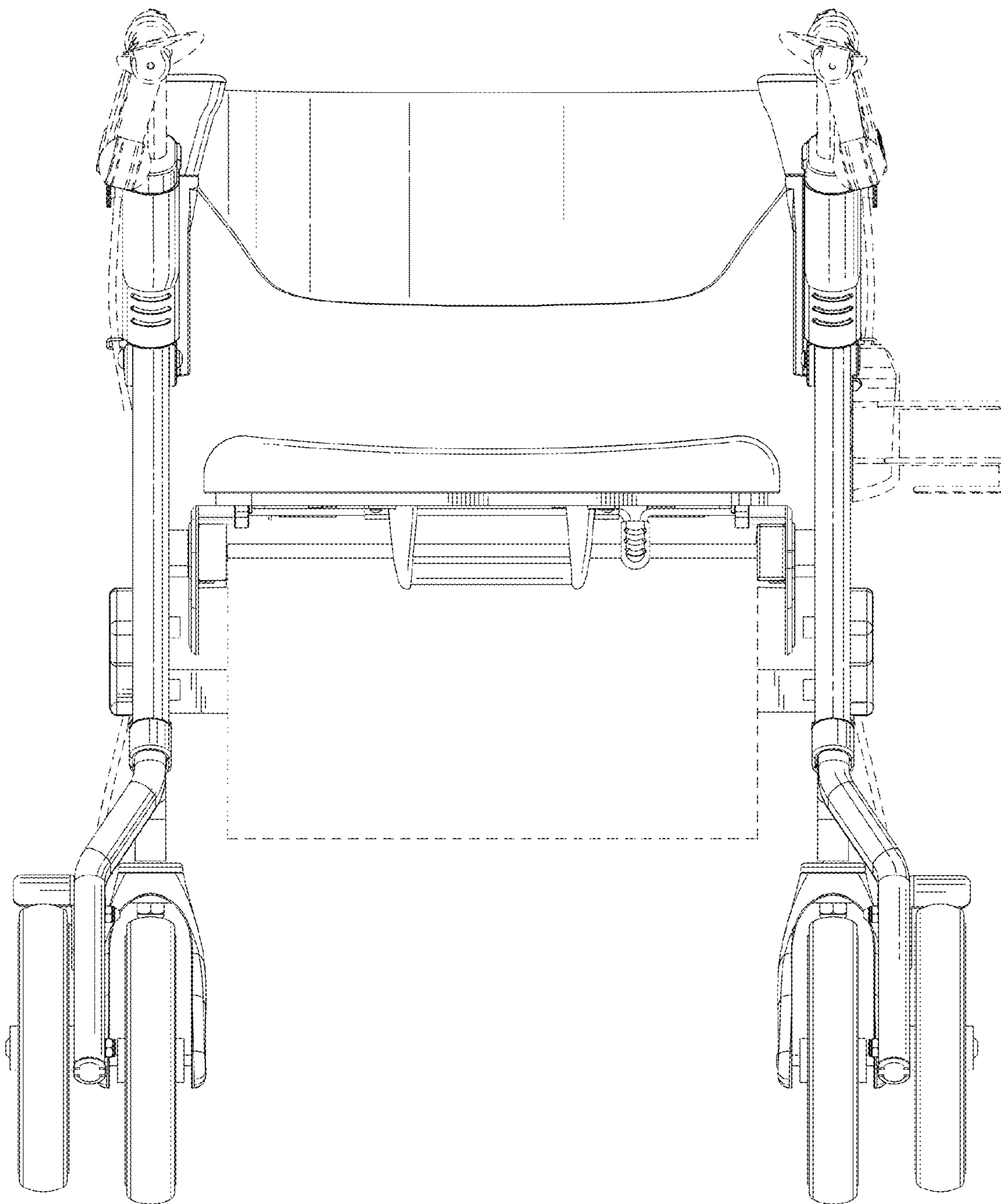


FIG. 7

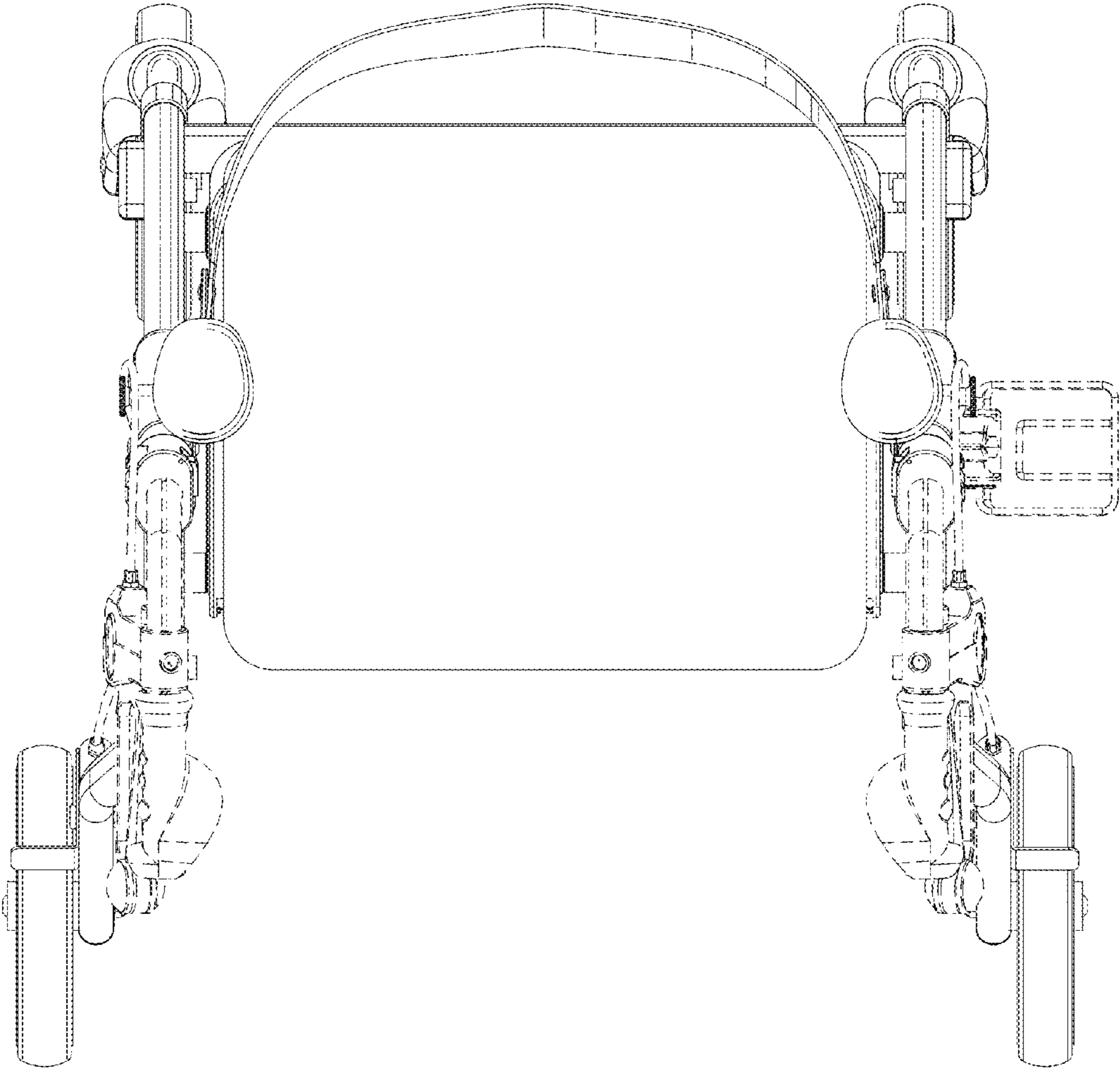


FIG. 8

