



US00D754567S

(12) **United States Design Patent**
Iimura

(10) **Patent No.:** **US D754,567 S**

(45) **Date of Patent:** **** Apr. 26, 2016**

(54) **MOTORCYCLE**

(71) Applicant: **Takeshi Iimura**, Tokyo-to (JP)

(72) Inventor: **Takeshi Iimura**, Tokyo-to (JP)

(73) Assignee: **YAMAHA HATSUDOKI
KABUSHIKI KAISHA (JP)**

(**) Term: **14 Years**

(21) Appl. No.: **29/512,514**

(22) Filed: **Dec. 19, 2014**

(30) **Foreign Application Priority Data**

Jun. 30, 2014 (EM) 002492736-0001

(51) **LOC (10) Cl.** **12-11**

(52) **U.S. Cl.**
USPC **D12/110**

(58) **Field of Classification Search**
USPC D12/109, 110, 111, 114, 117, 126, 184,
D12/186; D21/432, 458, 538; 180/210-217,
180/219, 220, 225, 229, 908; 280/103, 124,
280/152.1-152.3, 288.2, 288.4, 304.3, 770,
280/827, 828, 847, 848; 296/77.1, 78.1,
296/181.1, 187.01, 187.12, 192, 193.01,
296/193.04, 193.05, 193.09; 446/440
CPC B62D 37/00; B62D 57/00; B62K 9/00;
B62K 11/04; B62K 17/00; B62K 19/48;
B62M 7/12; F02B 61/02; A63H 17/21;
B62J 17/00; B62J 17/04; B62J 29/00

See application file for complete search history.

(56) **References Cited**

U.S. PATENT DOCUMENTS

D311,507 S *	10/1990	Sasaki	D12/110
D368,242 S *	3/1996	Camfield	D12/111
D385,226 S *	10/1997	Mogi	D12/110
D387,017 S *	12/1997	Wakita	D12/110
D430,822 S *	9/2000	Sakaguchi	D12/110
D431,501 S *	10/2000	Yamamoto	D12/110
D456,315 S *	4/2002	Sawabe	D12/110
D482,639 S *	11/2003	Yamamoto	D12/110
D523,783 S *	6/2006	Sugimoto	D12/110
D524,191 S *	7/2006	Sugimoto	D12/110
D609,610 S *	2/2010	Inose	D12/110
D735,087 S *	7/2015	Iimura	D12/110
2005/0029773 A1 *	2/2005	Day	B62K 25/283 280/284

* cited by examiner

Primary Examiner — Philip S Hyder

Assistant Examiner — Darlington Ly

(74) *Attorney, Agent, or Firm* — Ostrolenk Faber LLP

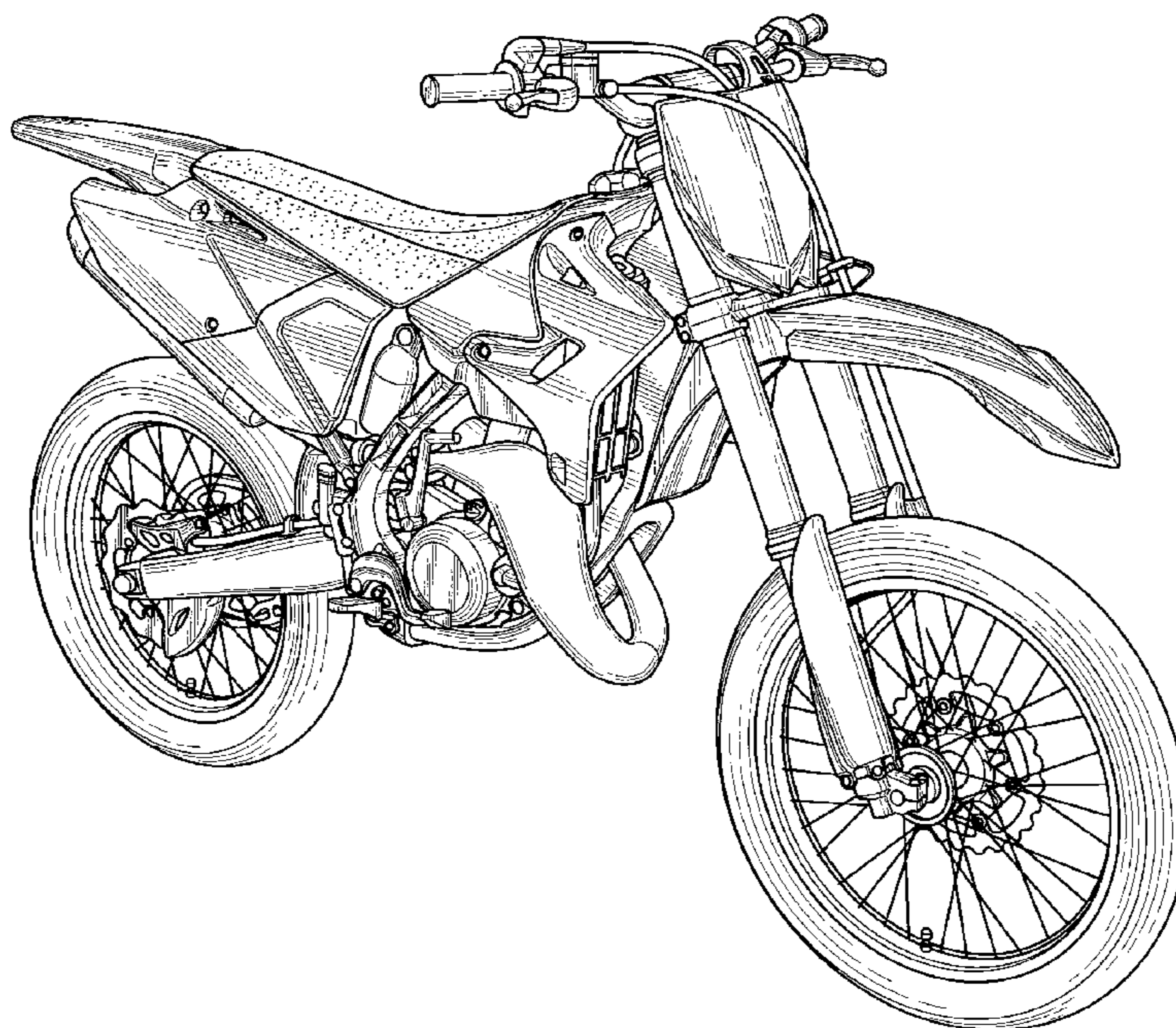
(57) **CLAIM**

The ornamental design for a motorcycle, as shown.

DESCRIPTION

FIG. 1 is front and right side perspective view of a motorcycle showing my new design;
FIG. 2 is a rear and left side perspective view thereof;
FIG. 3 is a front elevation view thereof;
FIG. 4 is a rear elevation view thereof;
FIG. 5 is a left side elevation view thereof;
FIG. 6 is a right side elevation view thereof; and,
FIG. 7 is a top plan view thereof.

1 Claim, 7 Drawing Sheets



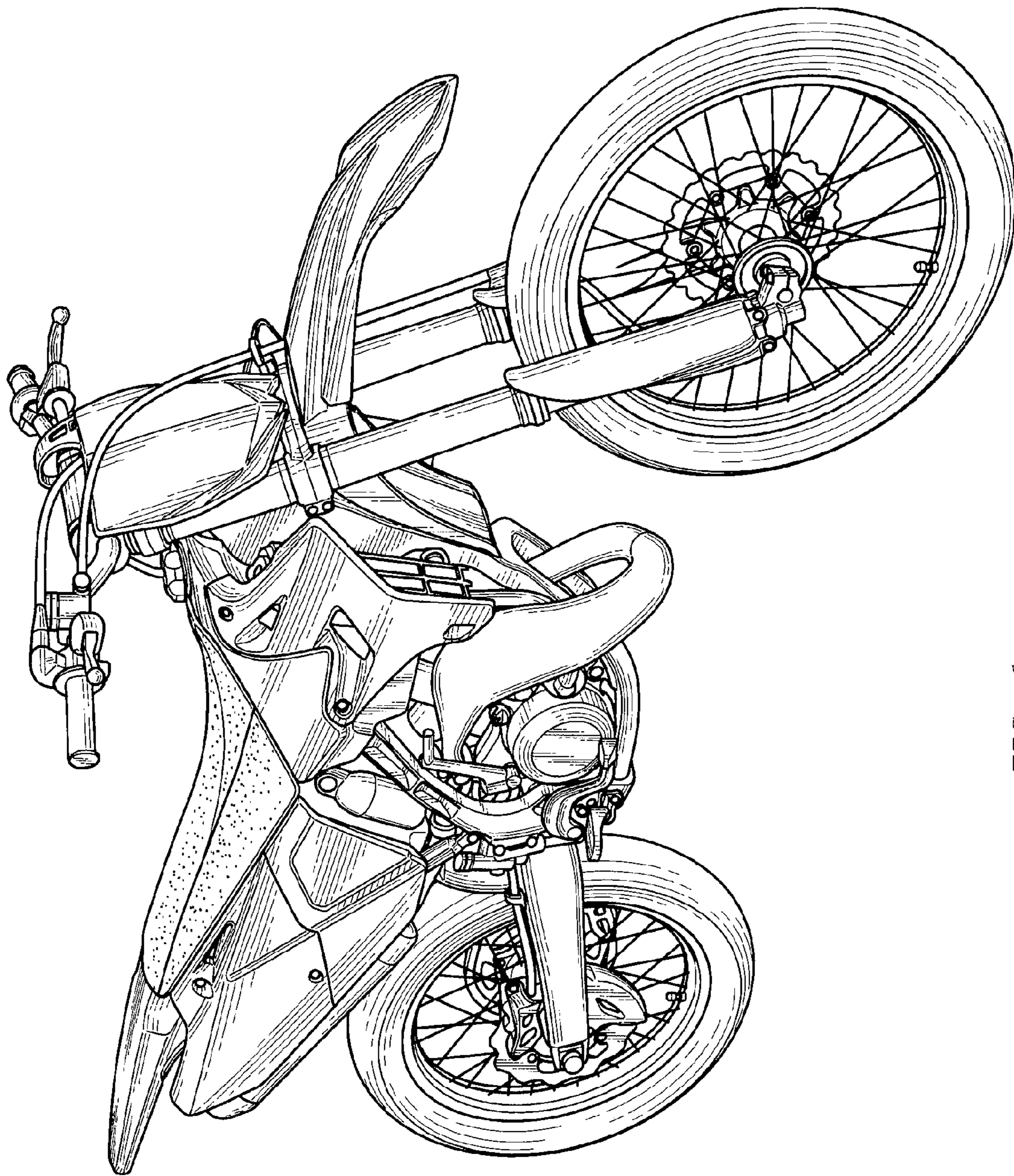


FIG. 1

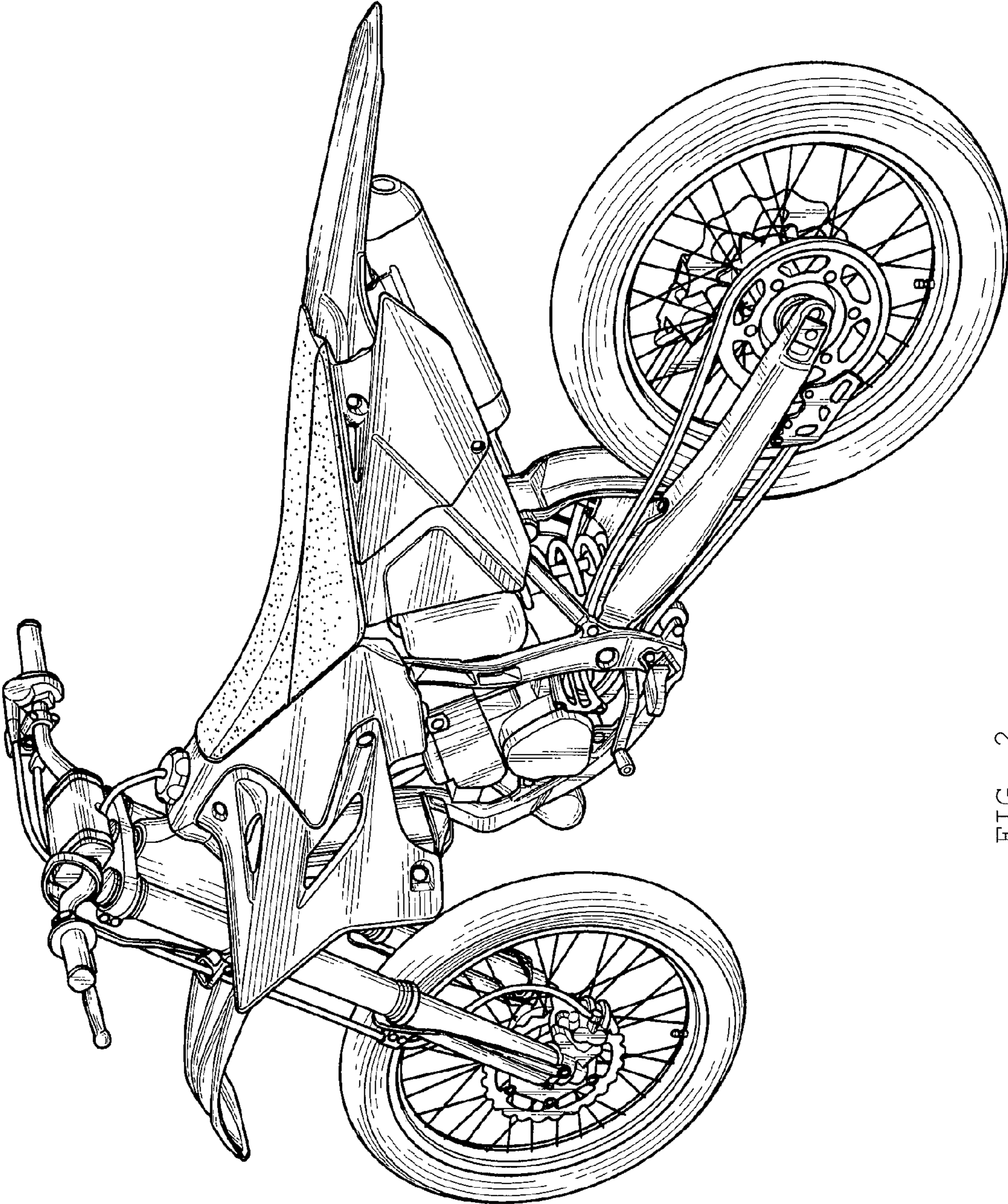


FIG. 2

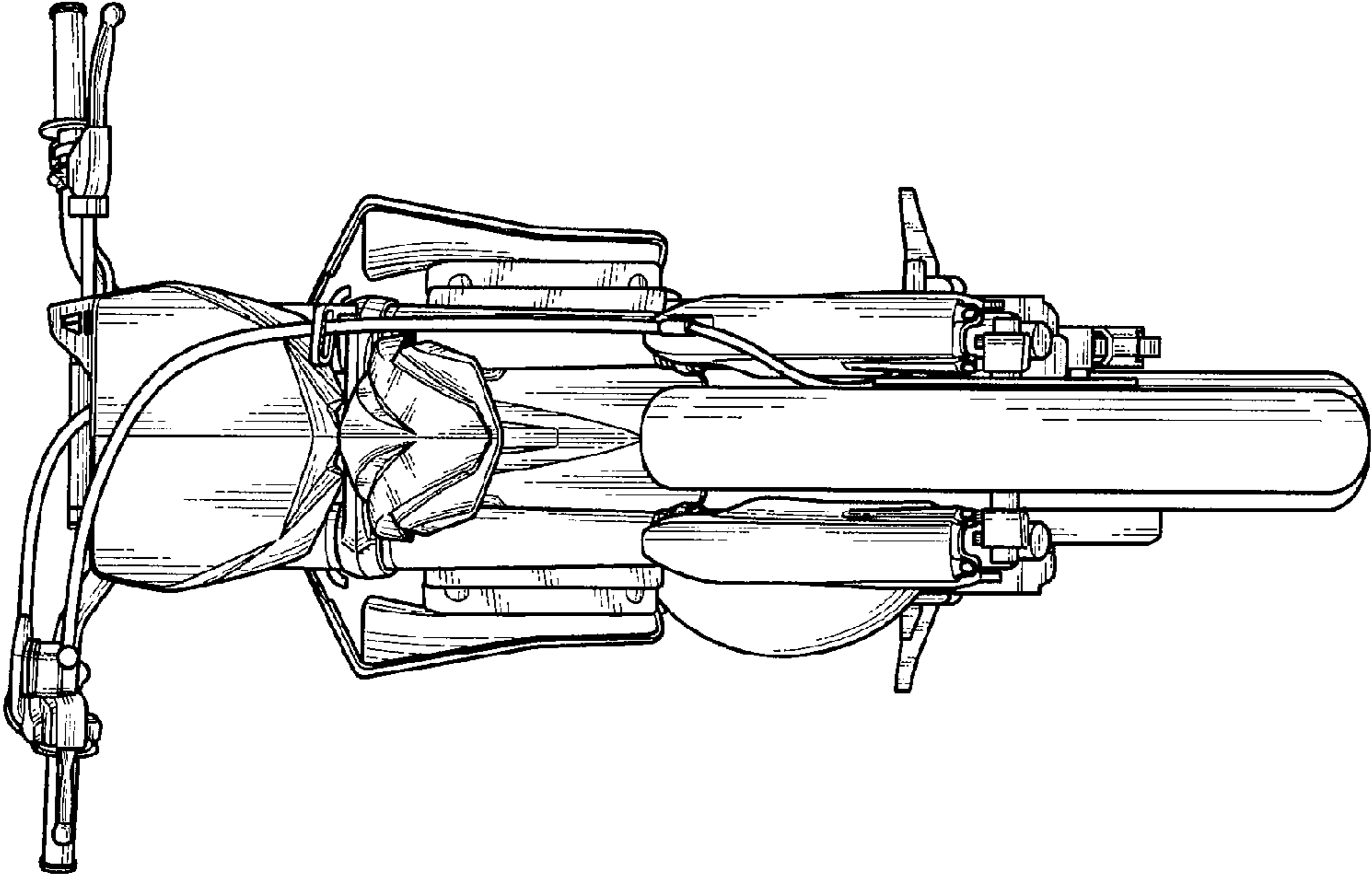


FIG. 3

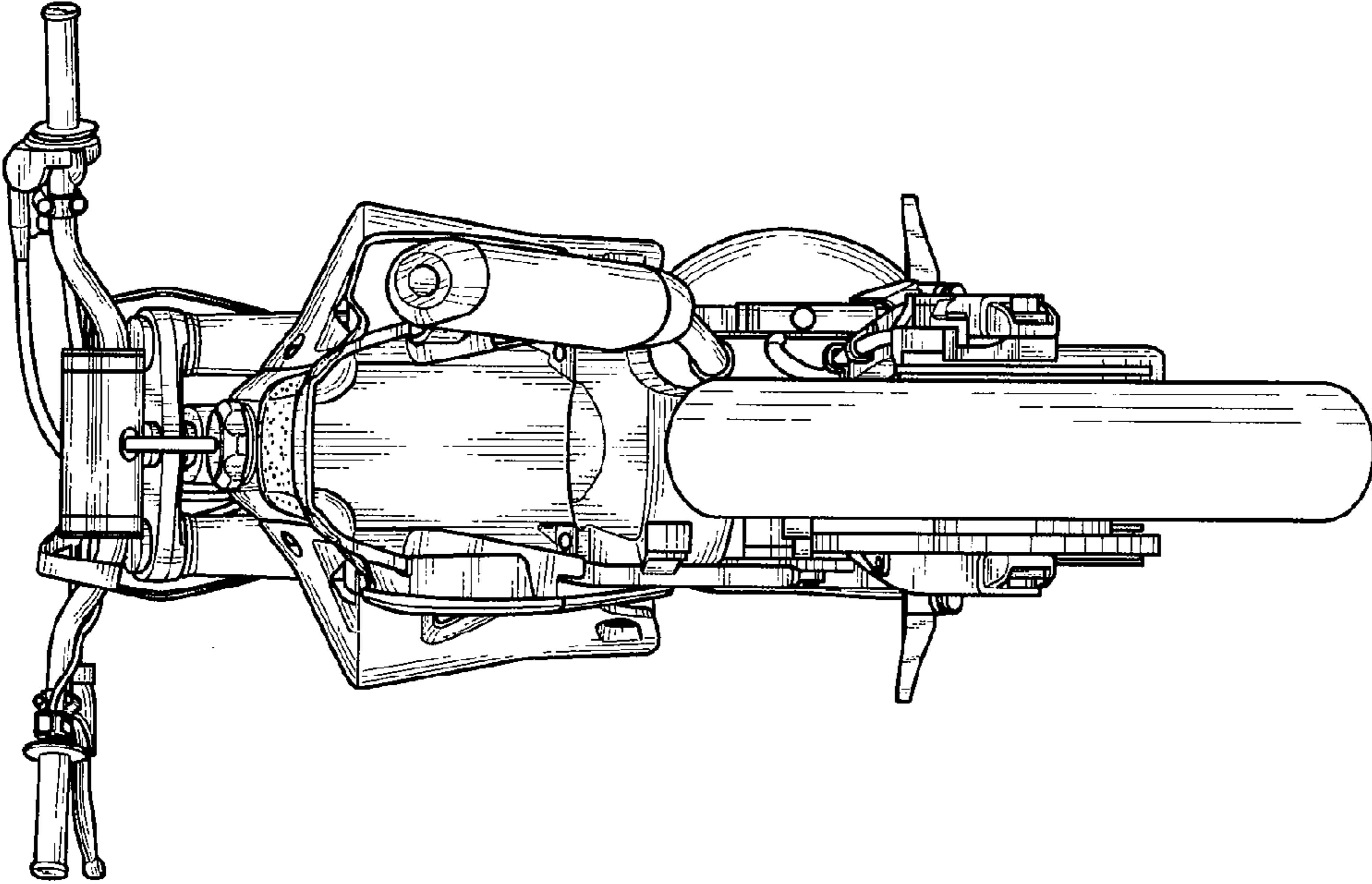


FIG. 4

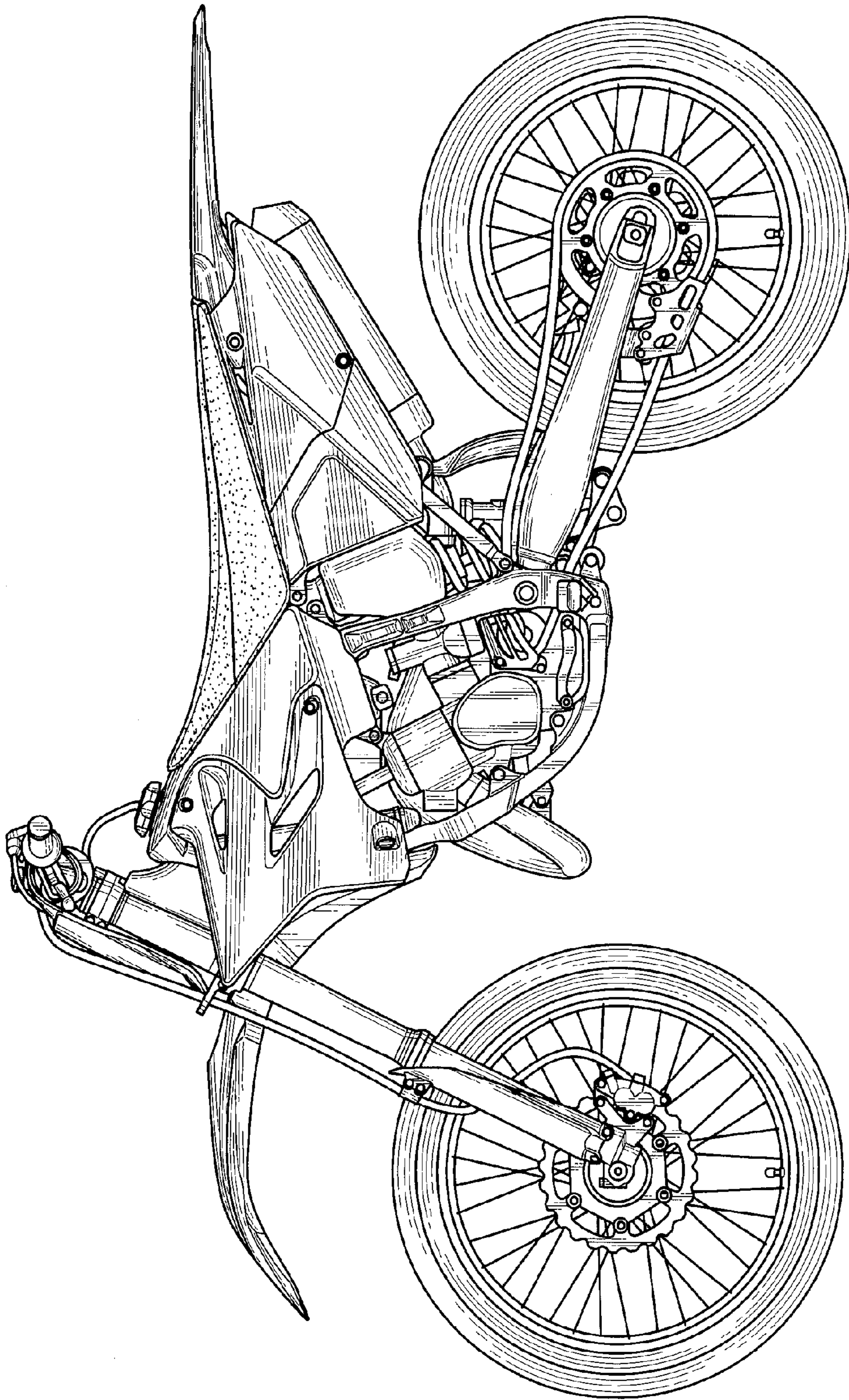


FIG. 5

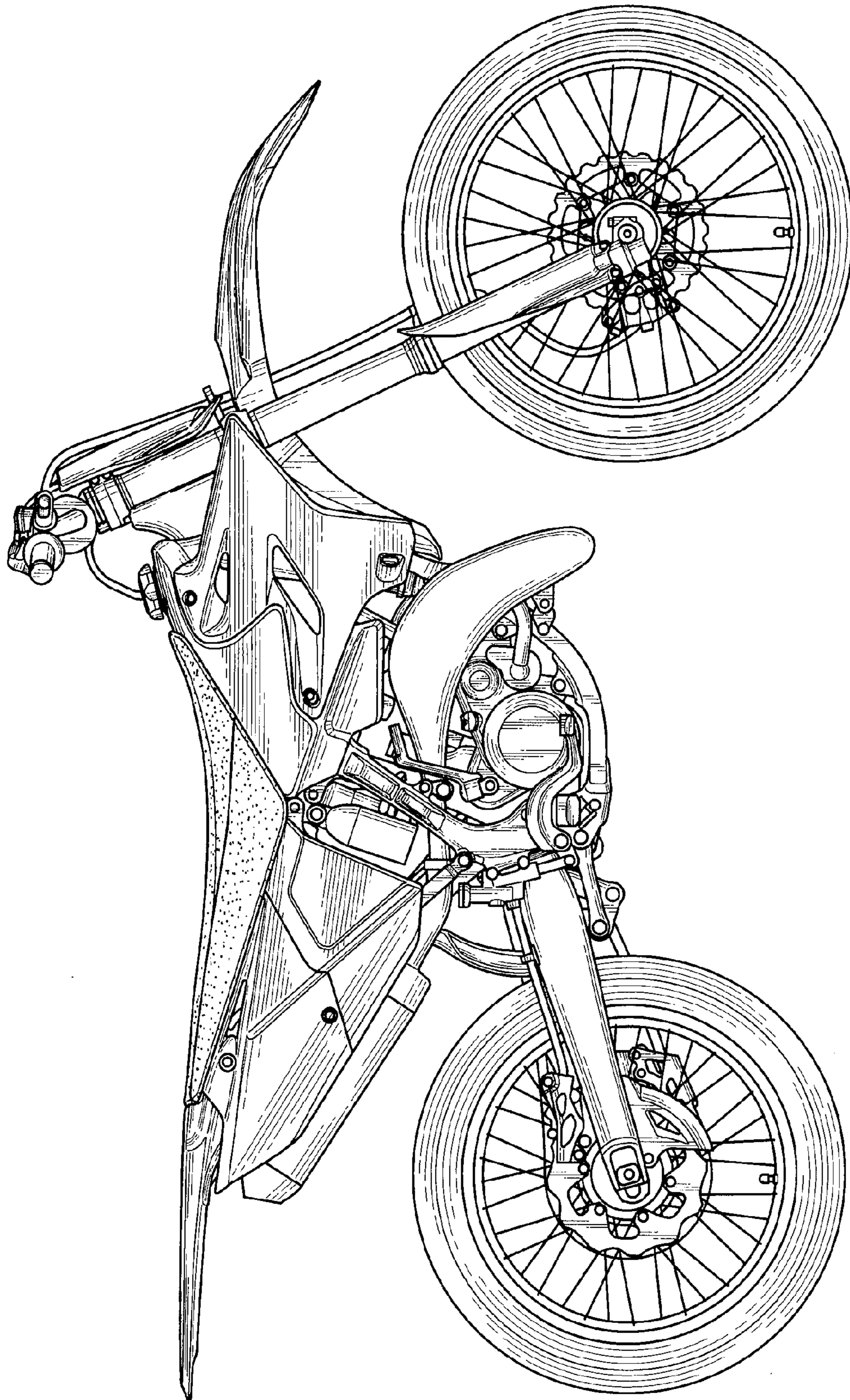


FIG. 6

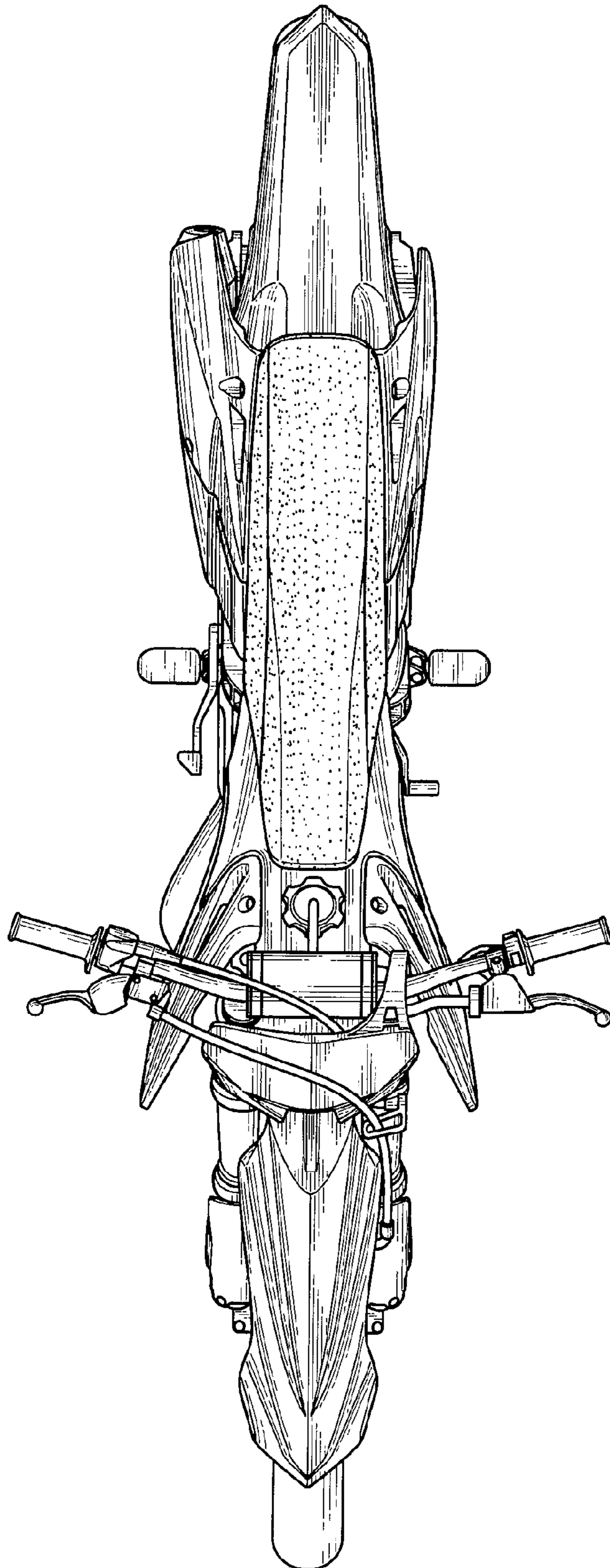


FIG. 7