



US00D754566S

(12) **United States Design Patent**
Varga

(10) **Patent No.:** **US D754,566 S**
(45) **Date of Patent:** **** Apr. 26, 2016**

(54) **MOTOR VEHICLE, TOY AND/OR REPLICA**

(71) Applicant: **Dr. Ing. h.c. F. Porsche**
Aktiengesellschaft, Stuttgart (DE)

(72) Inventor: **Peter Varga, Pforzheim (DE)**

(73) Assignee: **Dr. Ing. h.c. F. Porsche**
Aktiengesellschaft, Stuttgart (DE)

(**) Term: **14 Years**

(21) Appl. No.: **29/499,043**

(22) Filed: **Aug. 11, 2014**

(30) **Foreign Application Priority Data**

Feb. 11, 2014 (DE) 40 2014 100 111

(51) **LOC (10) Cl.** **12-08**

(52) **U.S. Cl.**
USPC **D12/92**

(58) **Field of Classification Search**
USPC D12/86, 90-92; D21/421, 433, 434;
296/181.1, 181.5

CPC B62D 35/00; B62D 25/00; B62D 25/06;
B62D 25/08; B62D 33/00

See application file for complete search history.

(56) **References Cited**

U.S. PATENT DOCUMENTS

D356,757 S 3/1995 Lagaay
D431,796 S 10/2000 Lagaay
D515,461 S 2/2006 Lai
D528,056 S 9/2006 Lai

D593,906 S 6/2009 Borkert
D605,981 S 12/2009 Larson
D651,944 S * 1/2012 Steinmetz D12/92
D659,593 S 5/2012 Robinson
D661,228 S * 6/2012 Armbruster D12/92
D663,239 S * 7/2012 Saracoglu D12/92
D701,146 S * 3/2014 Varga D12/92
D704,099 S * 5/2014 Varga D12/92
D704,596 S * 5/2014 Saracoglu D12/92
D705,131 S * 5/2014 Larson D12/92
D718,663 S * 12/2014 Robinson D12/92
D718,664 S * 12/2014 Robinson D12/92
D719,066 S * 12/2014 Schramm D12/92

* cited by examiner

Primary Examiner — Melody N Brown

(74) *Attorney, Agent, or Firm* — RatnerPrestia

(57) **CLAIM**

The ornamental design for a motor vehicle, toy and/or replica, as shown and described.

DESCRIPTION

FIG. 1 is a front perspective view of a motor vehicle, toy and/or replica;

FIG. 2 is a rear perspective view thereof;

FIG. 3 is a left side elevation view thereof, the right side being substantially a mirror image;

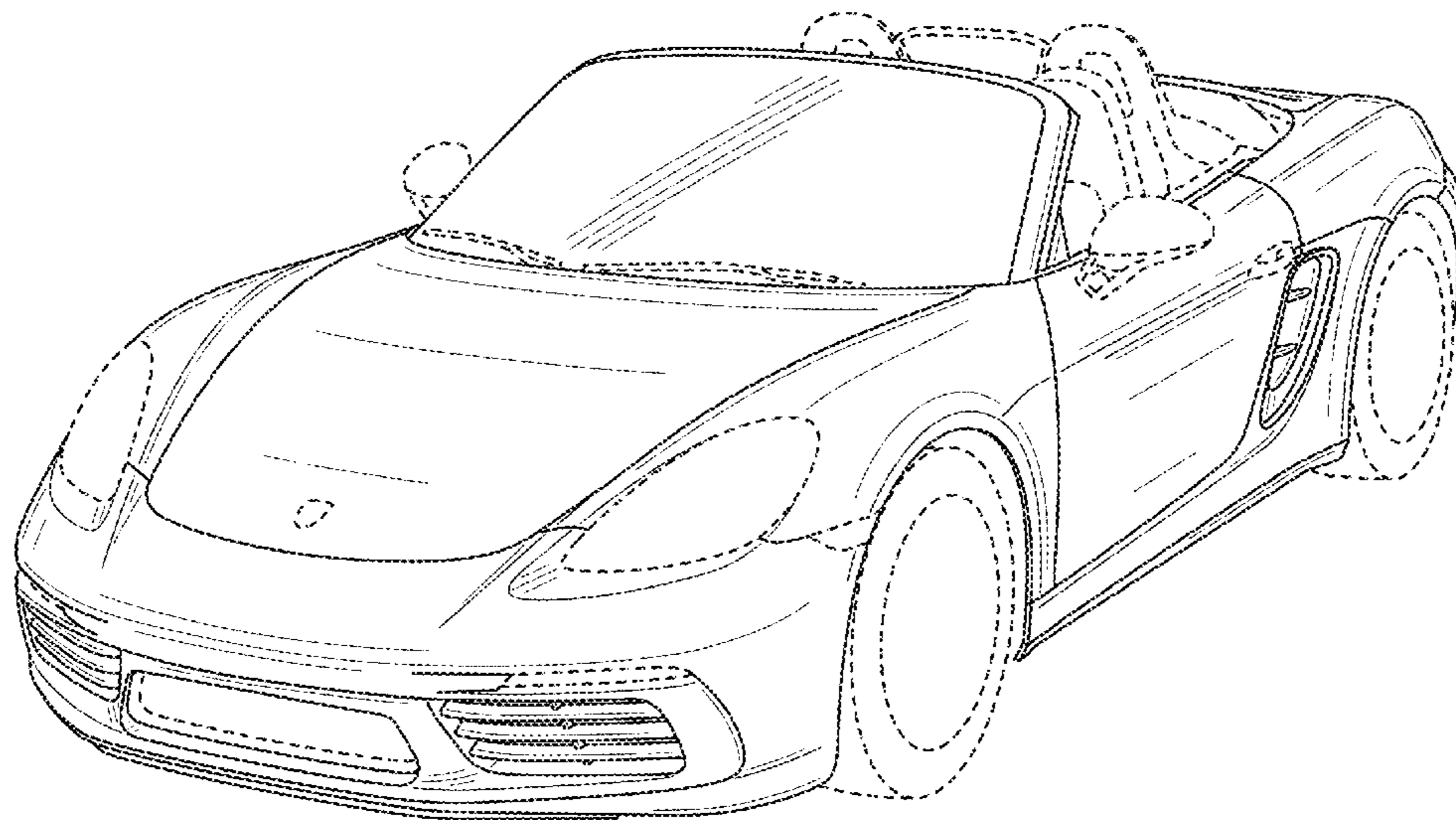
FIG. 4 is a front elevation view thereof;

FIG. 5 is a rear elevation view thereof; and,

FIG. 6 is a top plan view thereof.

The broken line showing of the motor vehicle, toy and/or replica is for the purpose of illustrating portions of the motor vehicle, toy and/or replica and forms no part of the claimed design.

1 Claim, 5 Drawing Sheets



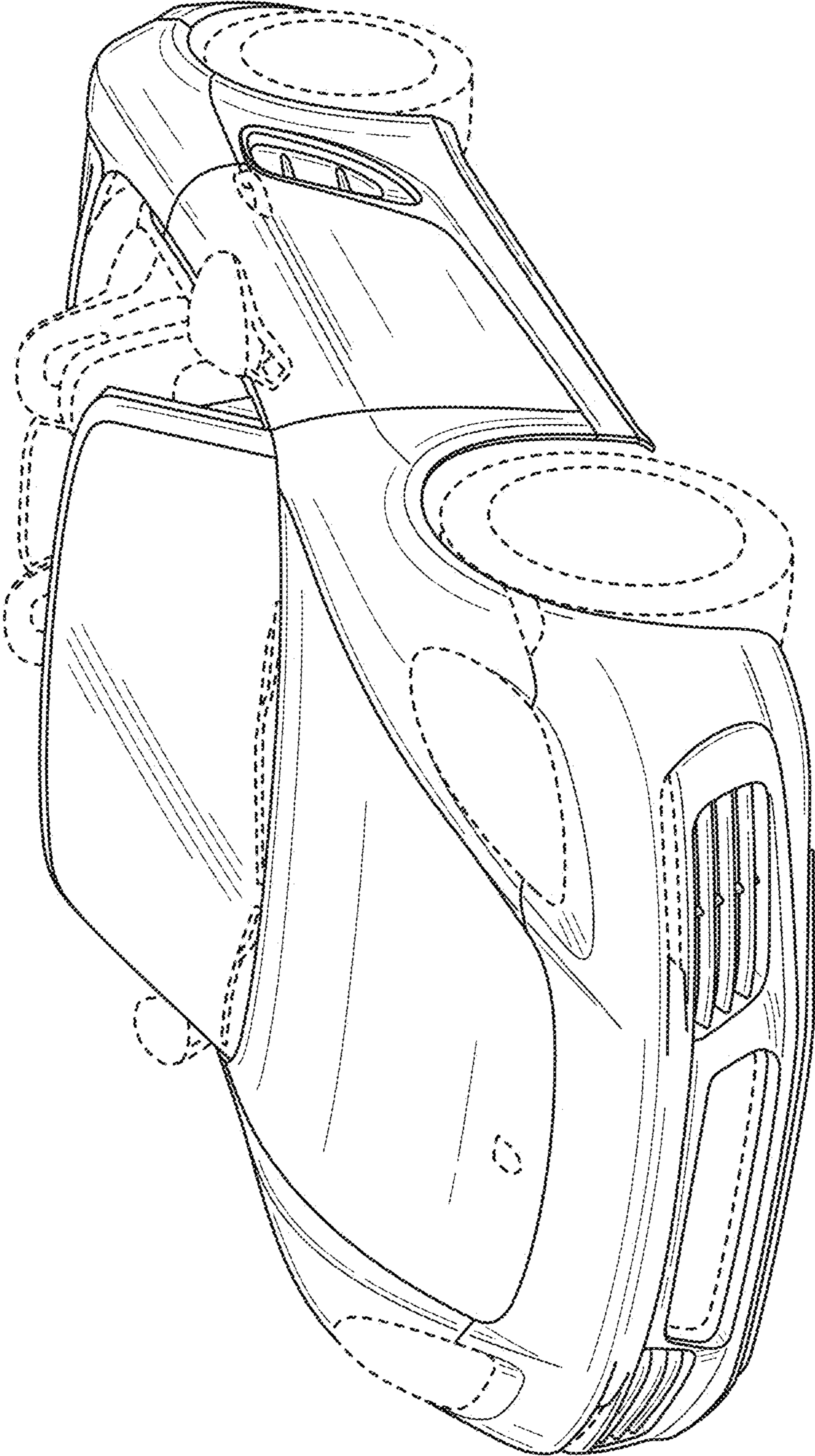


FIG. 1

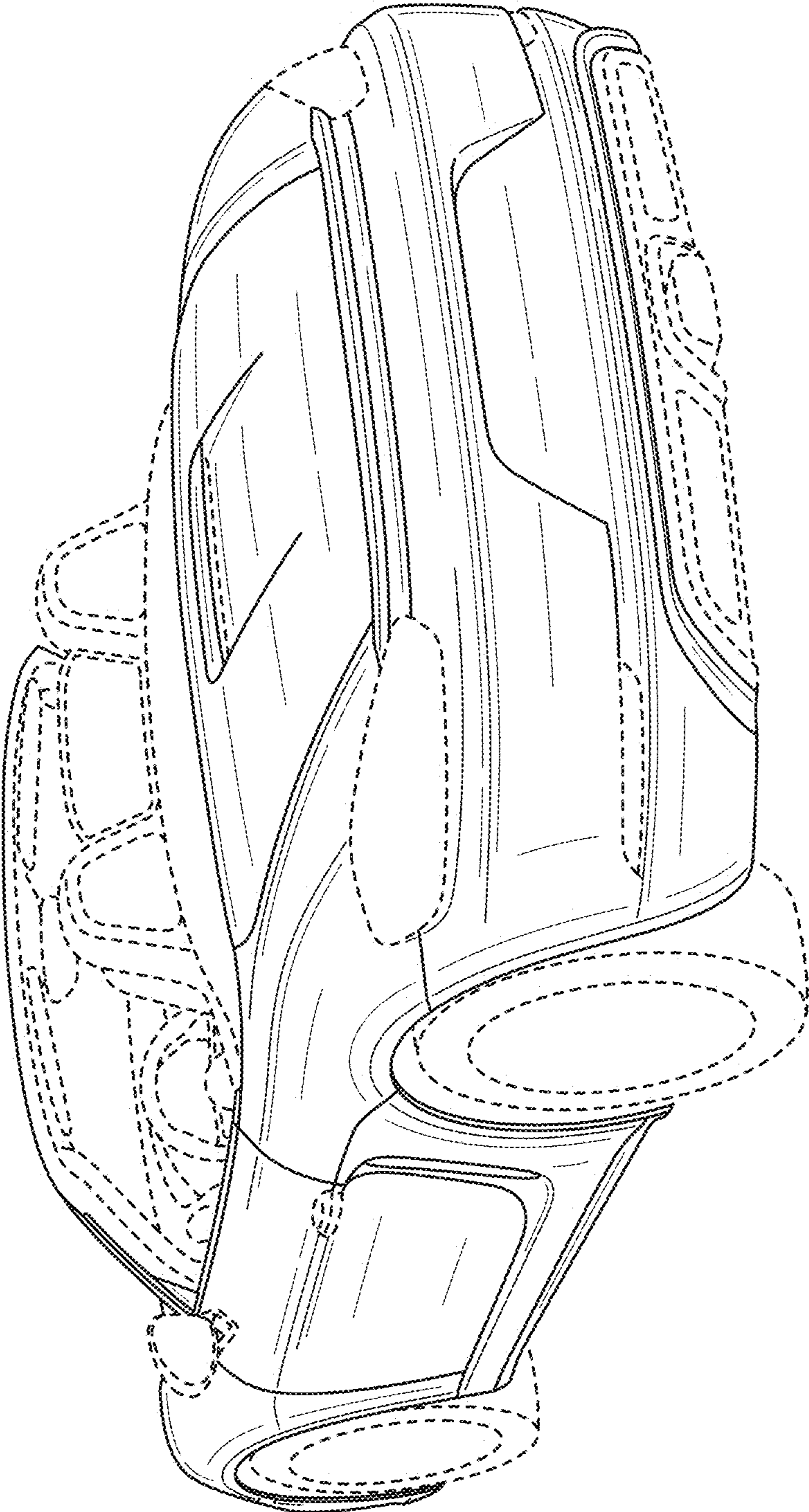


FIG. 2

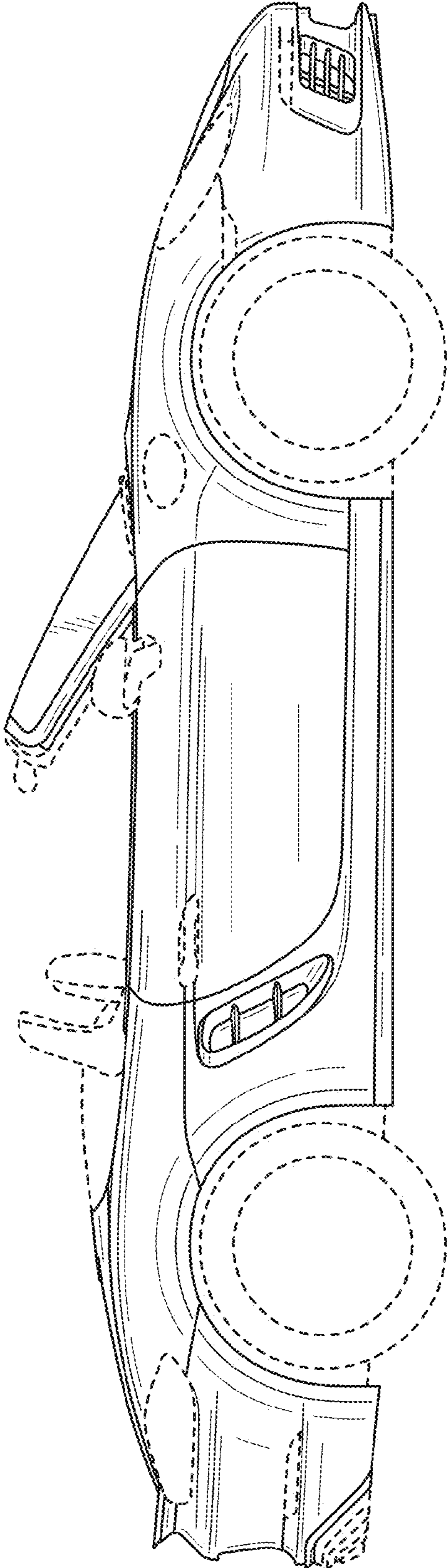


FIG. 3

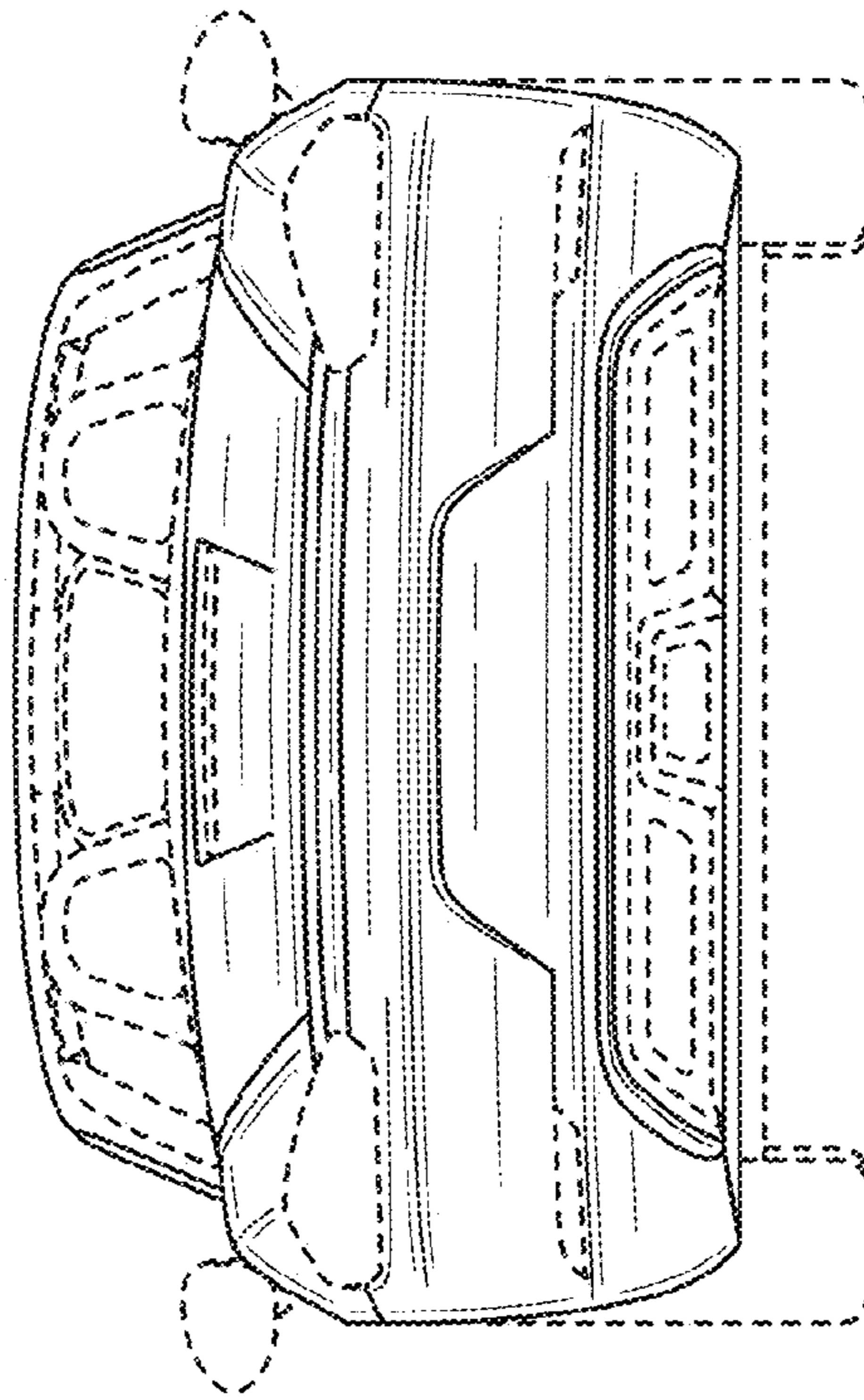


FIG. 5

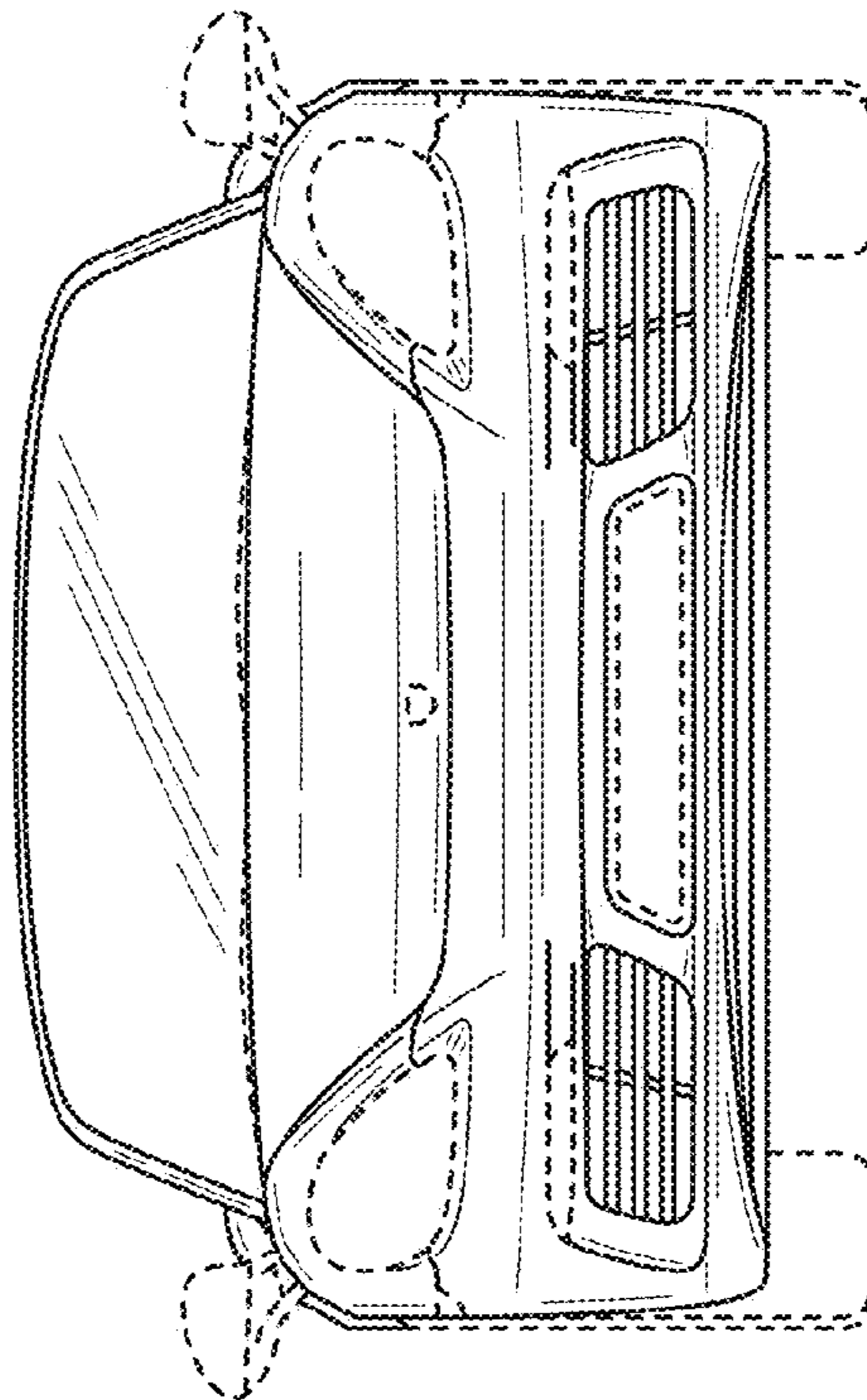


FIG. 4

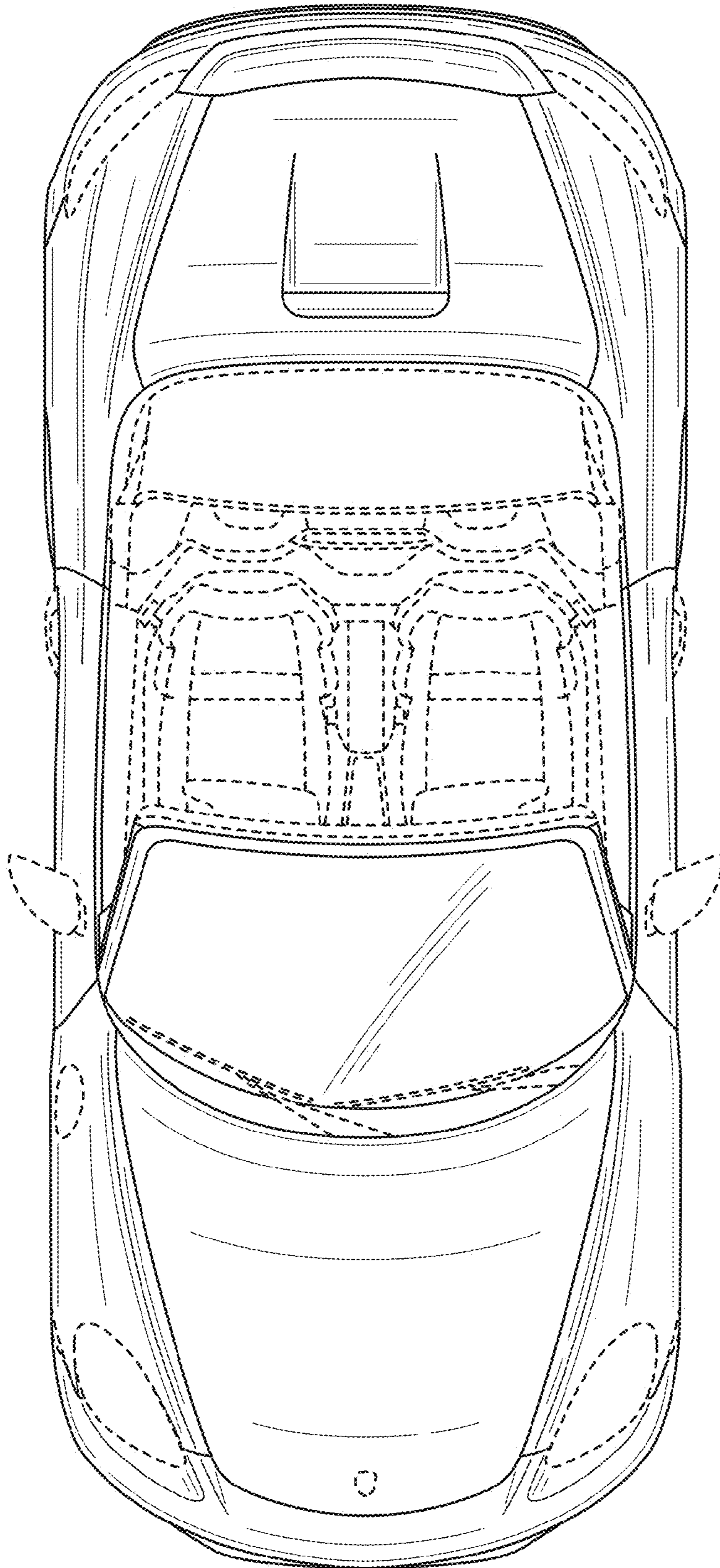


FIG. 6