



US00D754562S

(12) **United States Design Patent**
Harvey et al.

(10) **Patent No.:** **US D754,562 S**
(45) **Date of Patent:** **** Apr. 26, 2016**

- (54) **SAND AND WATER SLEIGH**
- (71) Applicants: **Patricia F. Harvey**, Norfolk, VA (US);
Larry E. Harvey, Jr., Norfolk, VA (US)
- (72) Inventors: **Patricia F. Harvey**, Norfolk, VA (US);
Larry E. Harvey, Jr., Norfolk, VA (US)
- (**) Term: **14 Years**
- (21) Appl. No.: **29/486,539**
- (22) Filed: **Mar. 31, 2014**
- (51) **LOC (10) Cl.** **12-14**
- (52) **U.S. Cl.**
USPC **D12/6**
- (58) **Field of Classification Search**
USPC D12/6, 7, 9–11, 1, 101, 302, 300, 303,
D12/304, 306, 307, 309, 310, 311, 314,
D12/316; 280/19, 845, 47.34, 24, 16, 22.1,
280/18, 47.35, 27; D21/483, 767, 769, 542,
D21/543, 544–547, 419–435; 446/160–165;
114/248; D34/12, 29
CPC B62B 15/007; B62B 15/008; B62B
2501/065; B62B 15/00
See application file for complete search history.

- D222,649 S * 11/1971 Lapointe D12/10
- D231,912 S * 6/1974 Cooper D12/101
- D232,925 S * 9/1974 Turner D12/9
- D238,566 S * 1/1976 Palmer D12/300
- 3,943,586 A * 3/1976 Palmer B63B 3/09
114/179
- 3,984,887 A * 10/1976 Tanemoto B63B 7/06
114/354
- 4,702,188 A * 10/1987 Harilainen B63B 1/042
114/290
- 5,653,455 A * 8/1997 Richards B62B 13/02
280/1.5
- 5,697,319 A * 12/1997 Steensland B63B 5/24
114/343
- D425,011 S * 5/2000 Nakashima D12/307
- 6,286,448 B1 * 9/2001 Sahr B63B 5/24
114/357
- 6,367,406 B1 * 4/2002 Sahr B63B 5/24
114/357
- 6,460,478 B1 * 10/2002 Widmer B63B 5/24
114/357
- D684,790 S * 6/2013 Boatright D6/388
- 2007/0296167 A1 * 12/2007 Beswick B62B 15/008
280/47.34
- 2012/0205881 A1 * 8/2012 Herrick B62B 13/08
280/18

* cited by examiner
Primary Examiner — T. Chase Nelson
Assistant Examiner — Ania Aman
 (74) *Attorney, Agent, or Firm* — Dale J. Ream

(56) **References Cited**
 U.S. PATENT DOCUMENTS

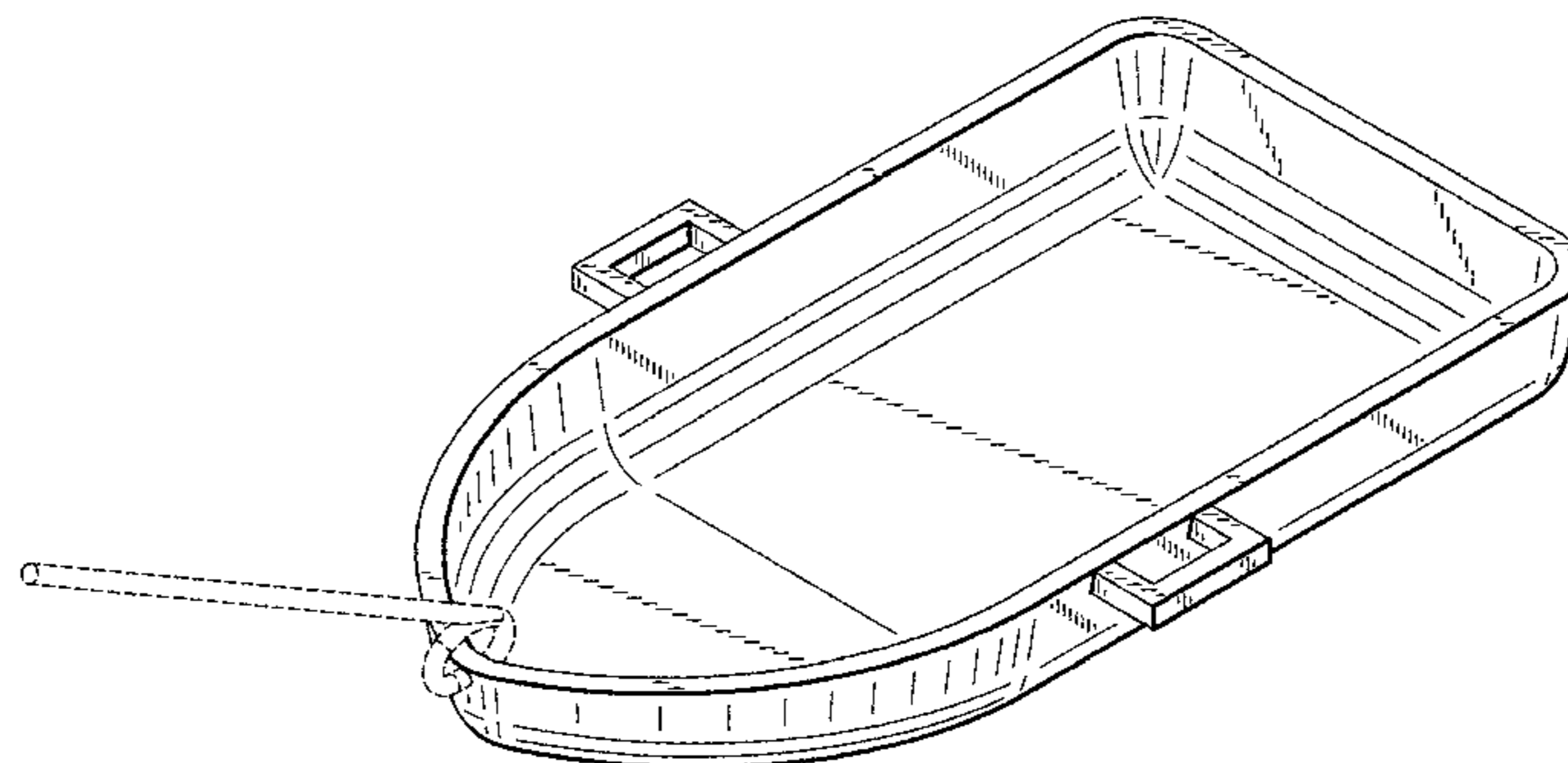
- 1,702,872 A * 2/1929 Kempin B63B 7/04
114/352
- 2,376,753 A * 5/1945 Bowen B63B 5/24
114/357
- D145,391 S * 8/1946 Cosme D12/300
- D170,886 S * 11/1953 Paden et al. 280/18
- 2,735,690 A * 2/1956 Paden et al. B62B 15/00
280/18
- 2,816,298 A * 12/1957 Foster B63B 3/00
114/357
- D193,453 S * 8/1962 Siegel 114/288
- 3,064,283 A * 11/1962 Swanson B63B 3/38
114/356
- 3,174,166 A * 3/1965 Ehrenberg B63B 5/24
114/357
- 3,176,055 A * 3/1965 Loos B63B 5/24
114/357
- 3,282,761 A * 11/1966 Evangelist B29C 33/30
114/357
- 3,348,246 A * 10/1967 Vidal B63B 5/24
114/352

(57) **CLAIM**
 The ornamental design for a sand and water sleigh, as shown and described.

DESCRIPTION

This application is related to U.S. patent application Ser. No. 13/864,879, filed Apr. 17, 2013, and titled "Sand and Water Sled," now abandoned.
 FIG. 1 is a perspective view of a sand and water sleigh showing my new design;
 FIG. 2 is a front view thereof;
 FIG. 3 is a back view thereof;
 FIG. 4 is a left side view thereof;
 FIG. 5 is a right side view thereof;
 FIG. 6 is a top view thereof; and,
 FIG. 7 is a bottom view thereof.
 In the drawings, the broken lines showing a rope illustrate environment and form no part of the claimed design.

1 Claim, 7 Drawing Sheets



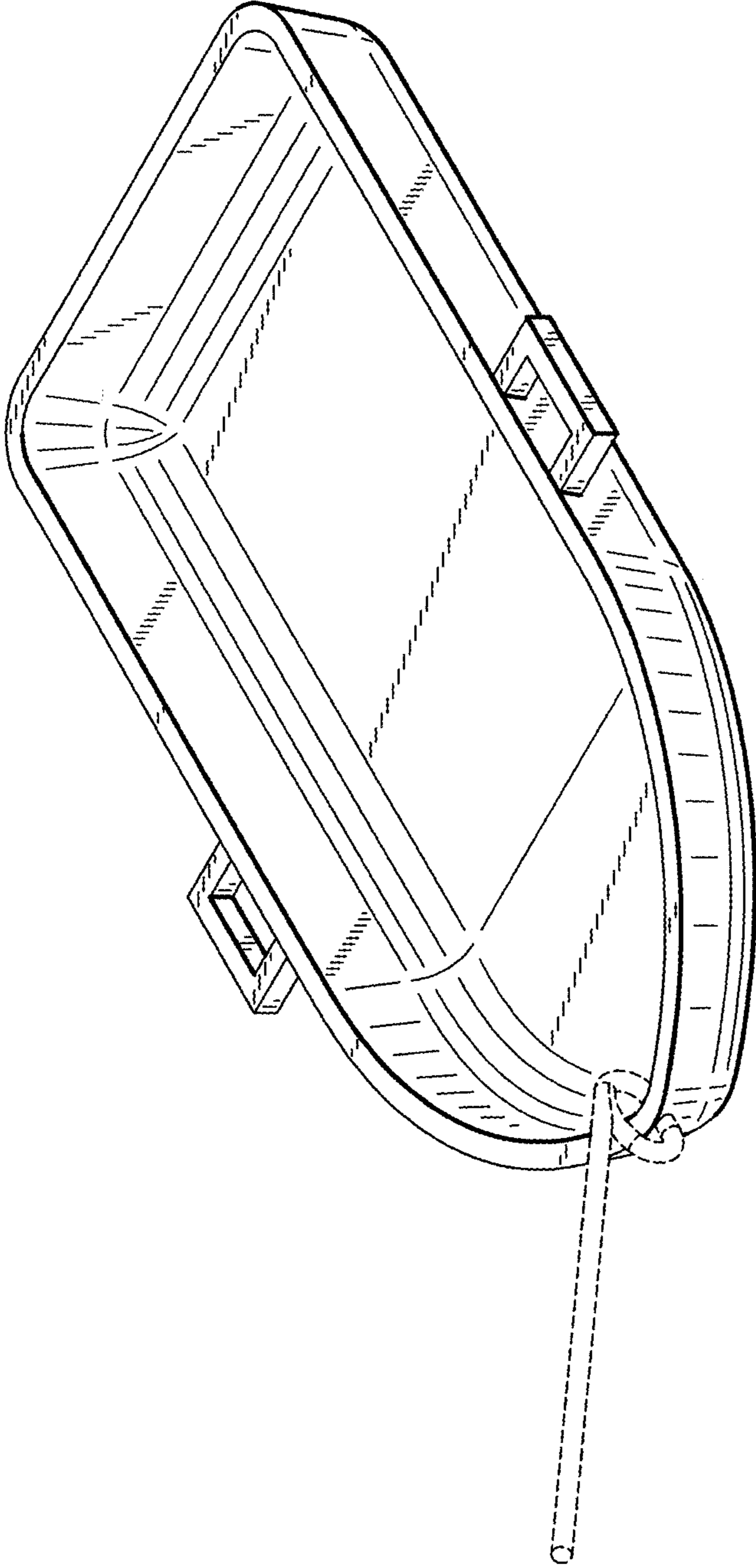


FIG. 1

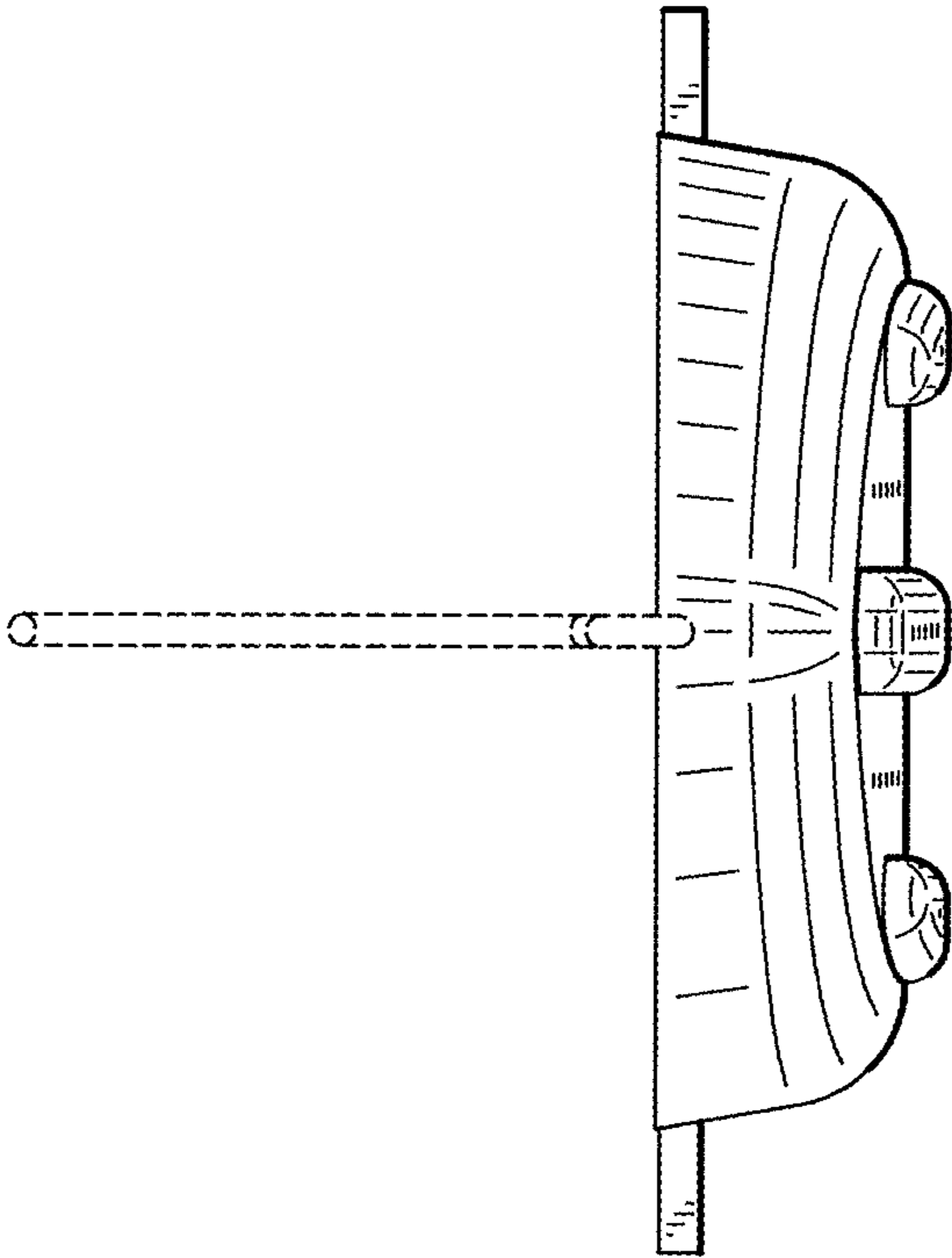


FIG. 2

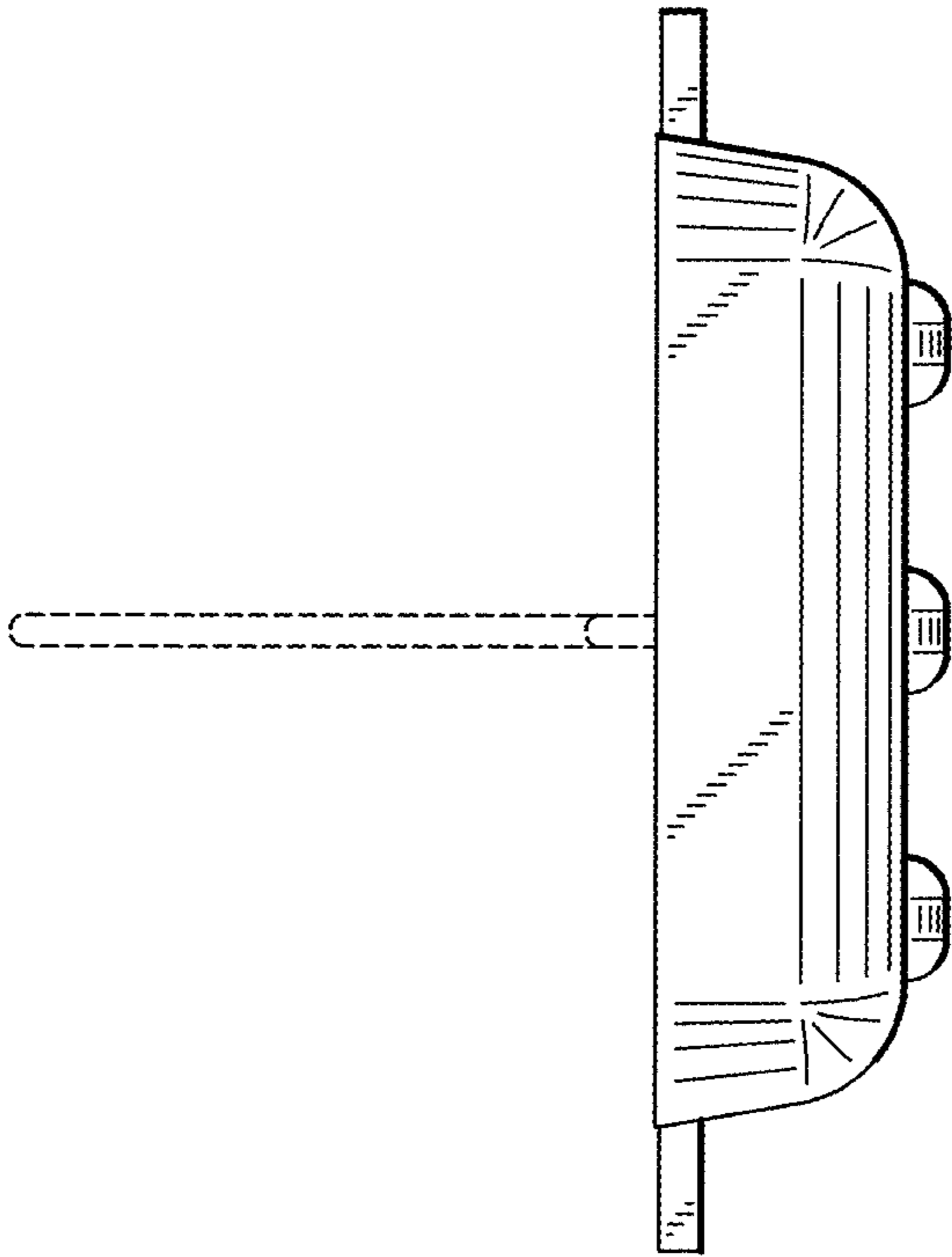


FIG. 3

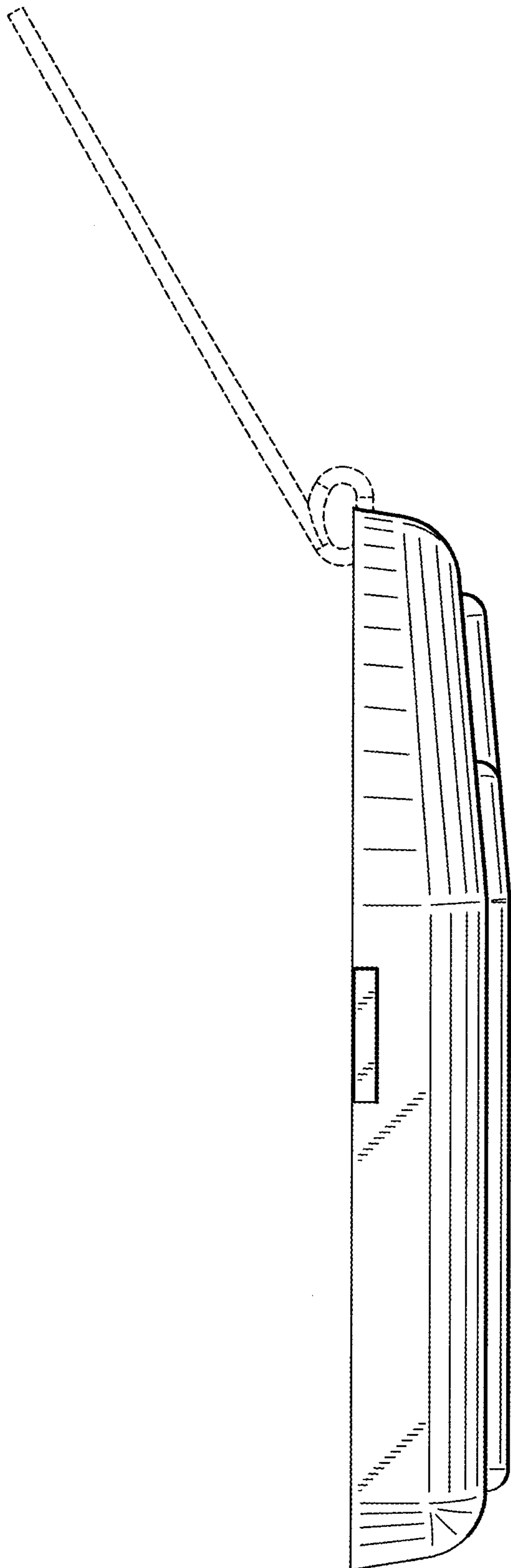


FIG. 4

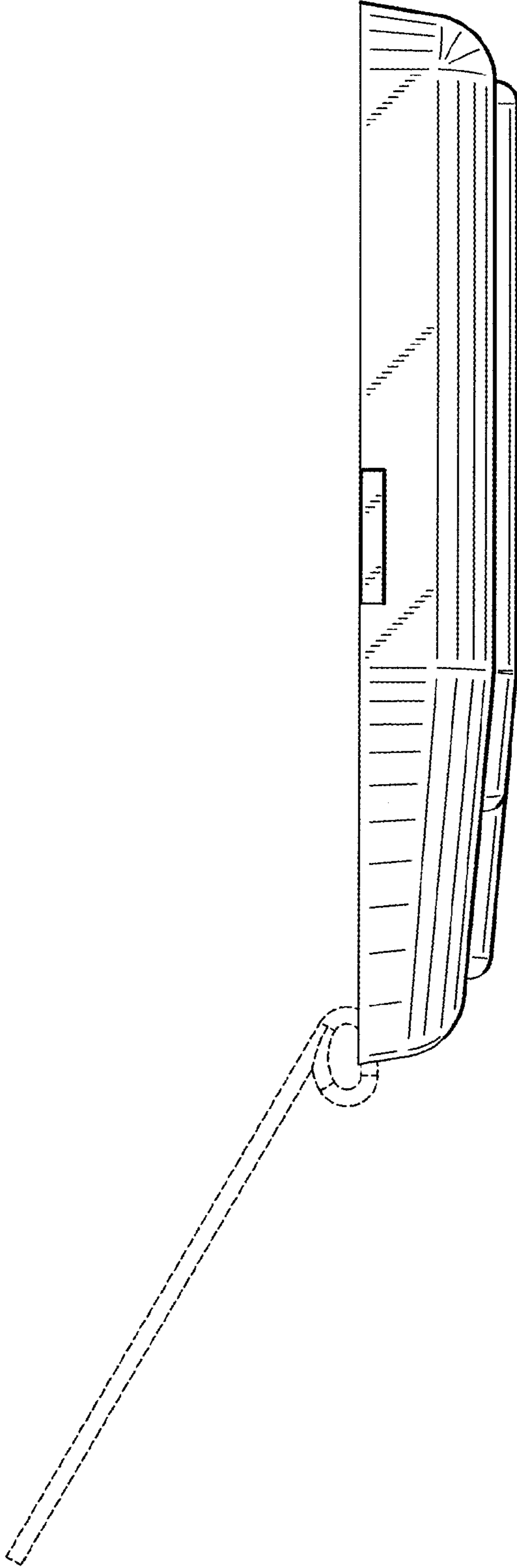


FIG. 5

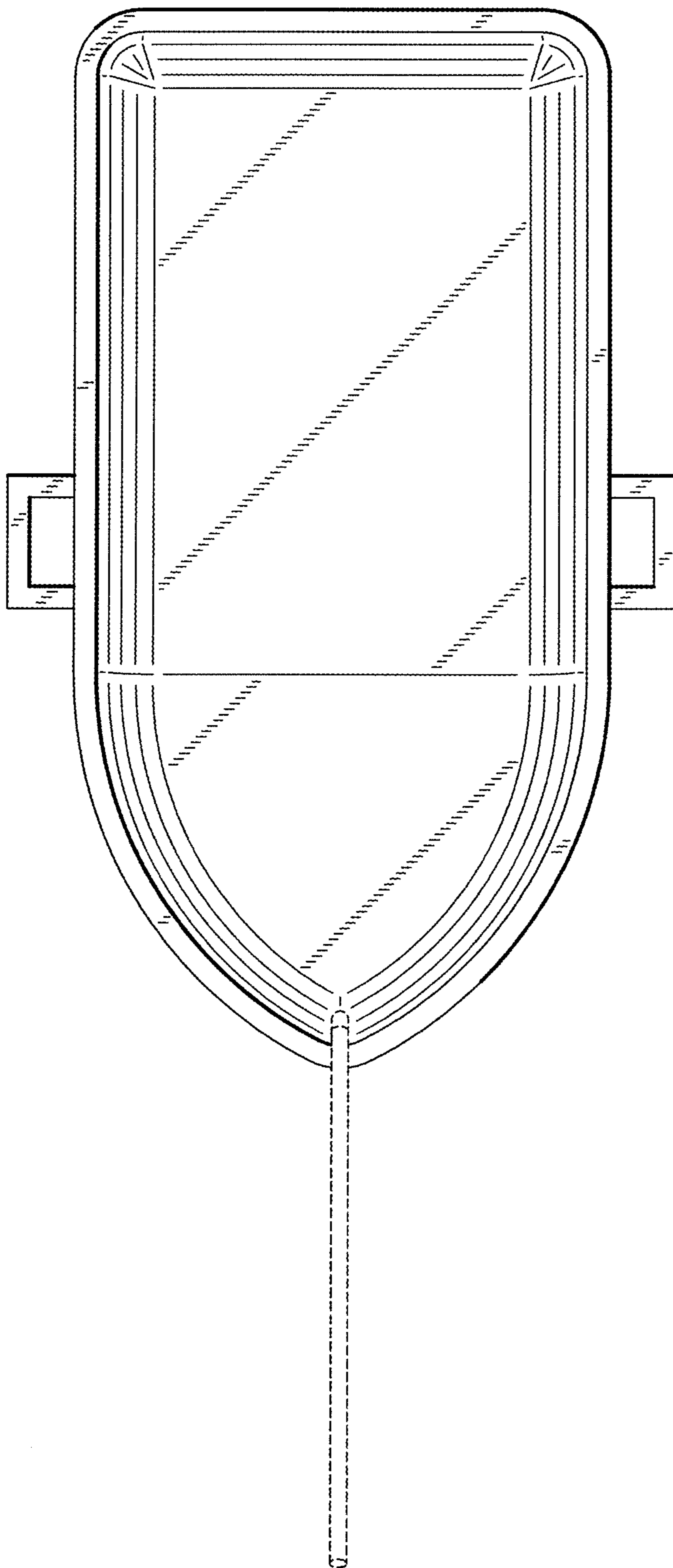


FIG. 6

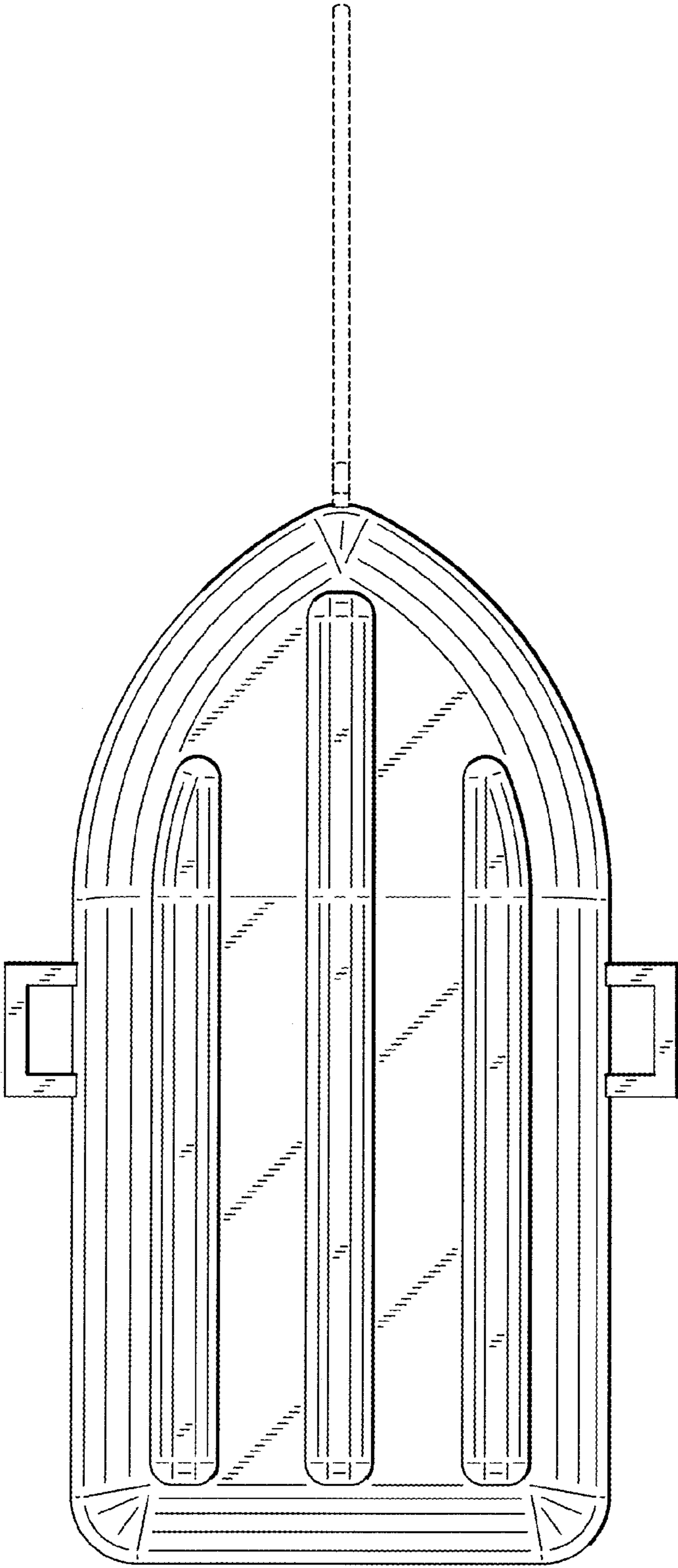


FIG. 7