



US00D754560S

(12) **United States Design Patent**  
**Young**

(10) **Patent No.:** **US D754,560 S**

(45) **Date of Patent:** **\*\* \*Apr. 26, 2016**

(54) **HERB POT SET**

(71) Applicant: **Infusion Living LLC**, West Chester, PA (US)

(72) Inventor: **Wei Young**, Flushing, NY (US)

(\* ) Notice: This patent is subject to a terminal disclaimer.

(\*\*) Term: **14 Years**

(21) Appl. No.: **29/491,173**

(22) Filed: **May 19, 2014**

(51) **LOC (10) Cl.** ..... **11-02**

(52) **U.S. Cl.**  
USPC ..... **D11/155**

(58) **Field of Classification Search**  
USPC ..... D3/304, 305, 310, 311, 315, 306;  
D6/403, 404, 405, 556, 557, 558;  
D7/560, 561, 562, 565, 584, 585, 586,  
D7/587, 588, 600.1; D9/424, 428, 429;  
D11/143-156, 164  
CPC ..... A01G 9/00; A01G 9/003; A01G 9/02;  
A01G 9/021; A01G 9/022; A01G 9/026;  
A01G 9/104; A01G 9/027; A01G 9/028;  
A01G 9/023

See application file for complete search history.

(56) **References Cited**

U.S. PATENT DOCUMENTS

1,226,311	A *	5/1917	Clifford	.....	47/74
D167,830	S *	9/1952	Gipson	.....	D11/154
3,099,355	A *	7/1963	Kane	.....	211/75
D236,018	S *	7/1975	Swift	.....	D11/155
4,083,146	A *	4/1978	Brankovic	.....	47/71
4,213,271	A *	7/1980	Petruzzi et al.	.....	47/39

4,684,013	A *	8/1987	Jacobs	.....	206/423
D360,166	S *	7/1995	Grosfillex	.....	D11/155
5,511,755	A *	4/1996	Spykerman	.....	248/311.2
D414,587	S *	9/1999	Douglas	.....	D34/1
6,125,577	A *	10/2000	Merzweiler et al.	.....	47/39
D542,098	S *	5/2007	Wasserman et al.	.....	D7/584
D607,721	S *	1/2010	Masotti et al.	.....	D9/424
D608,015	S *	1/2010	Sandel	.....	D24/227
D649,085	S *	11/2011	Tremblay et al.	.....	D11/155
D722,526	S *	2/2015	Forester	.....	D11/155
2004/0031196	A1 *	2/2004	Weder et al.	.....	47/72

\* cited by examiner

*Primary Examiner* — Elizabeth Albert

(57) **CLAIM**

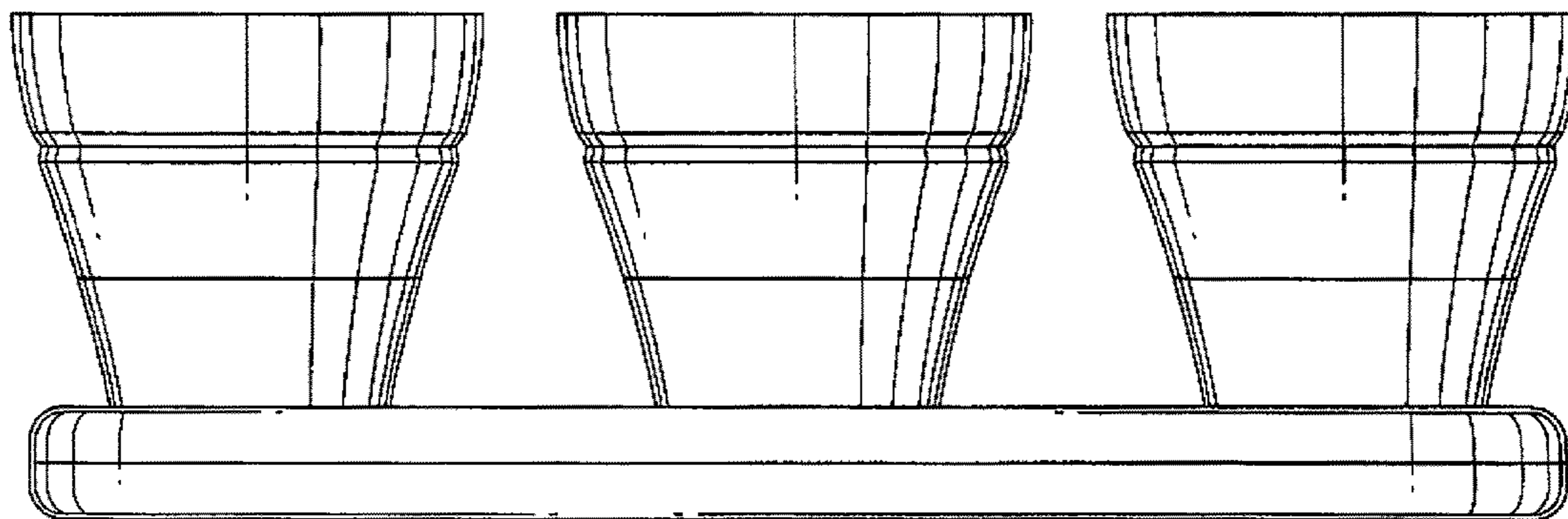
The ornamental design for a herb pot set, as shown and described.

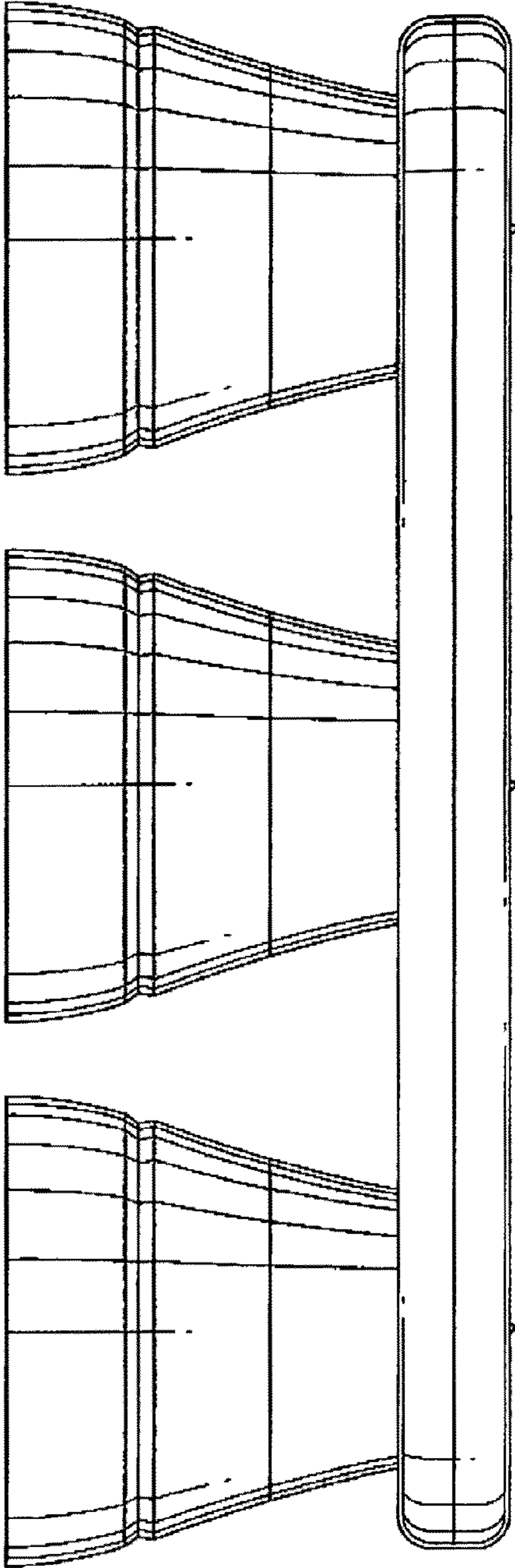
**DESCRIPTION**

FIG. 1 is an identical front and rear view of a herb pot set showing my new design;  
 FIG. 2 is a top plan view thereof;  
 FIG. 3 is a bottom plan view thereof;  
 FIG. 4 is a right elevational view thereof;  
 FIG. 5 is a left side elevational view thereof;  
 FIG. 6 is a perspective view thereof;  
 FIG. 7 is a perspective view of a pot shown by itself without the other two pots or base for convenience of illustration;  
 FIG. 8 is a perspective view of the base shown without the three pots for convenience of illustration;  
 FIG. 9 is a perspective view of the herb pot set with the pots folded once; and,  
 FIG. 10 is a perspective view of the herb pot set with the pots folded twice.

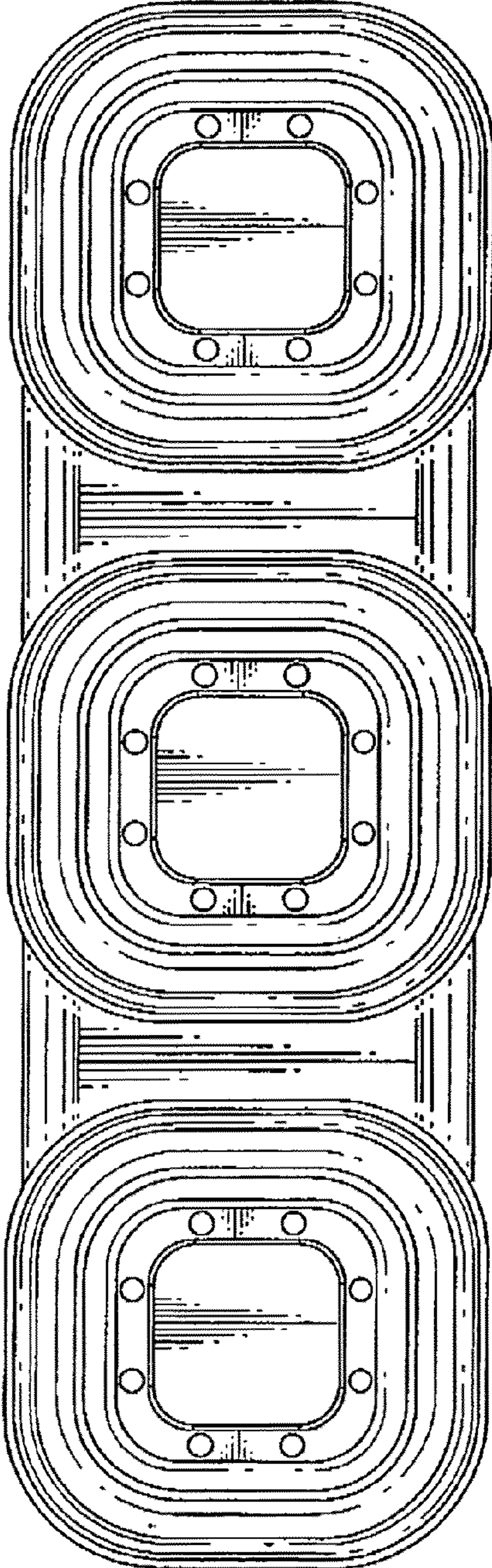
The broken lines in FIG. 3 are included to show portions of the herb pot set that form no part of the claimed design.

**1 Claim, 10 Drawing Sheets**

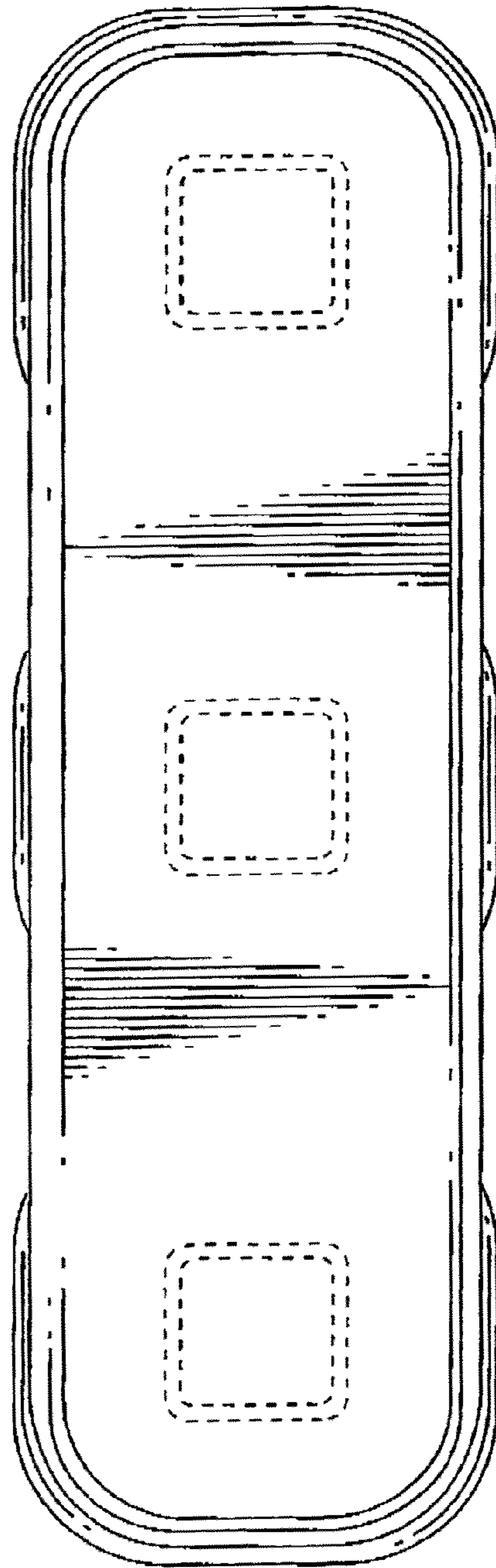




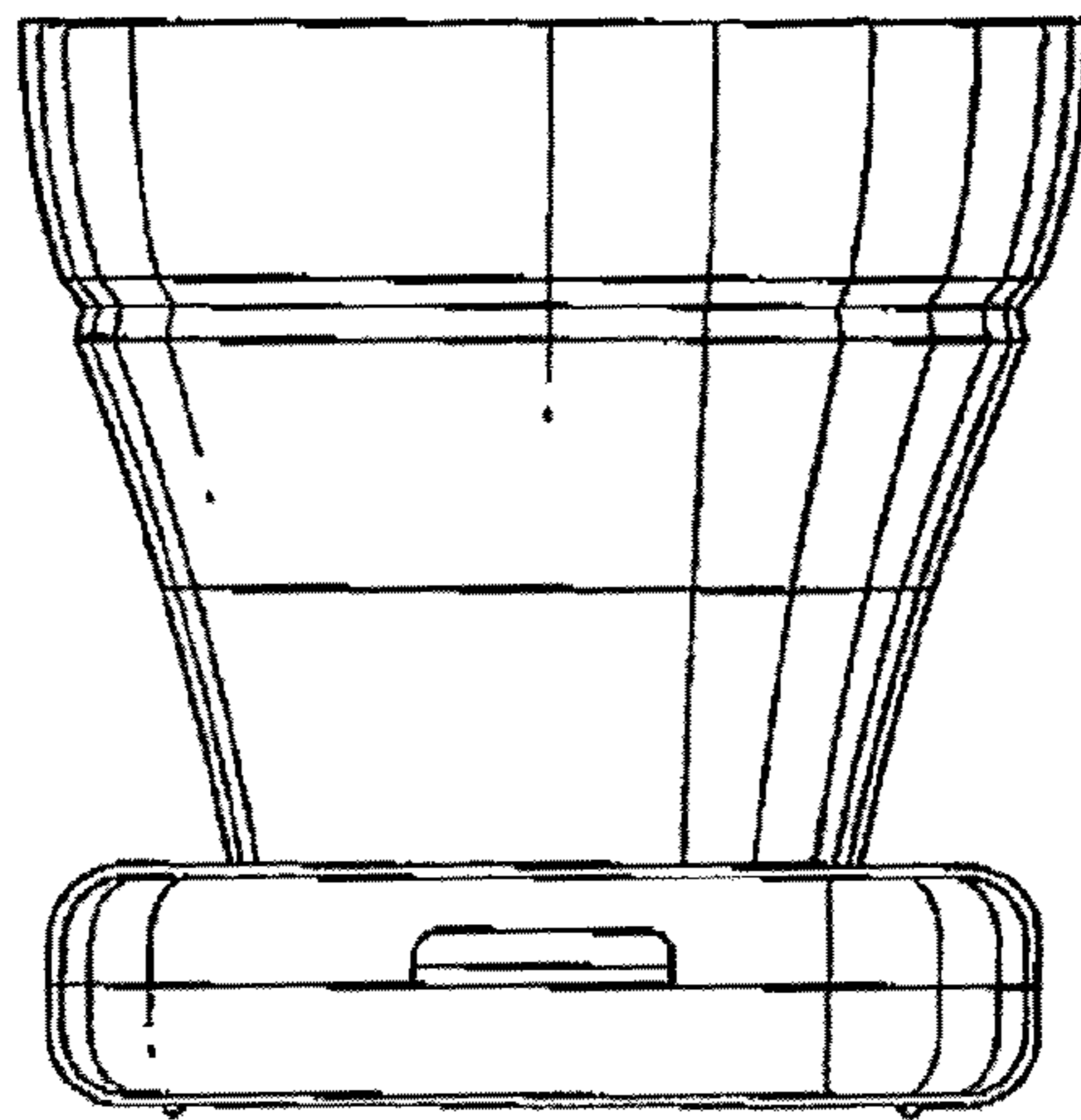
*Fig. 1*



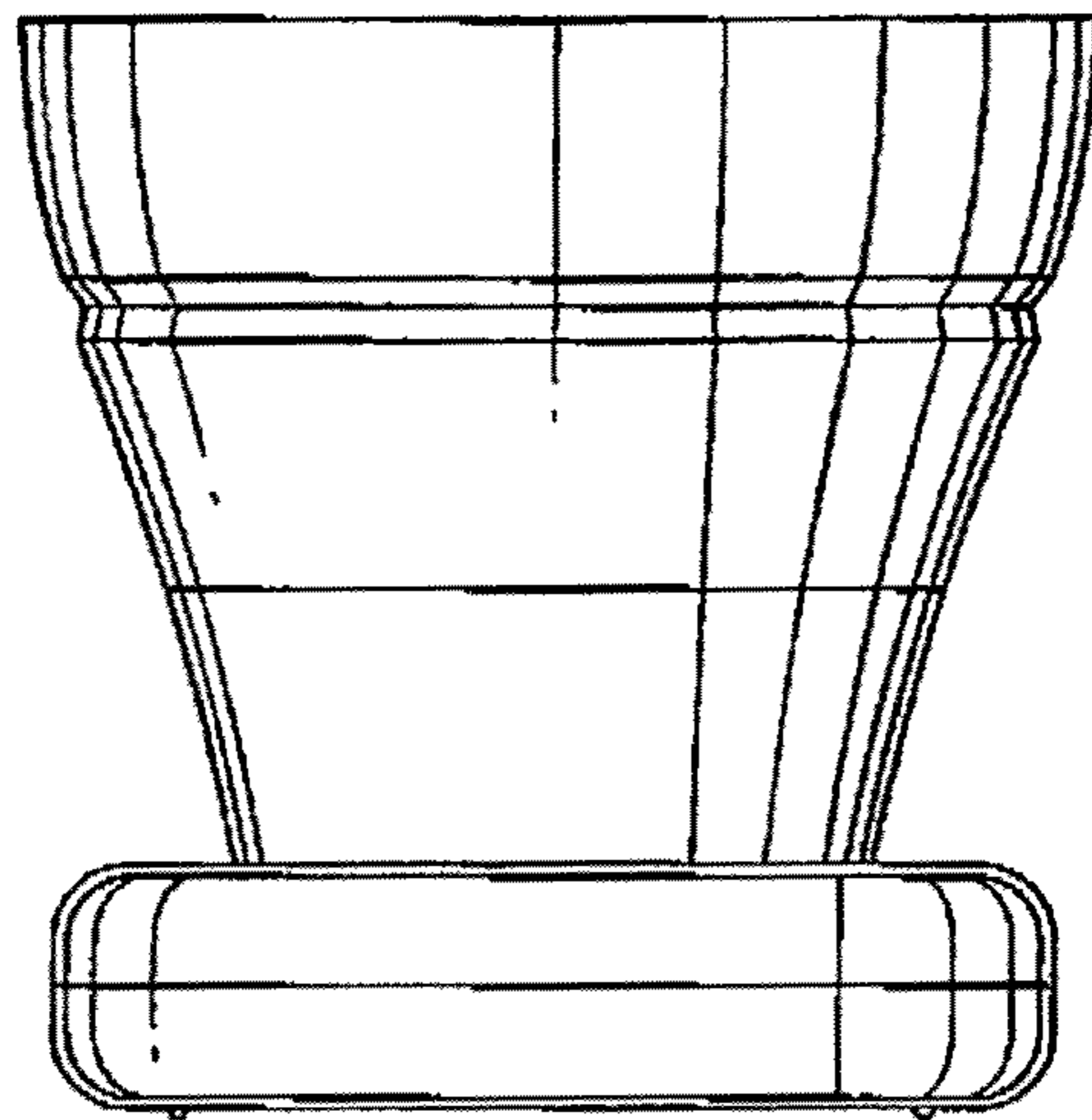
*Fig. 2*



*Fig. 3*



*Fig. 4*



*Fig. 5*

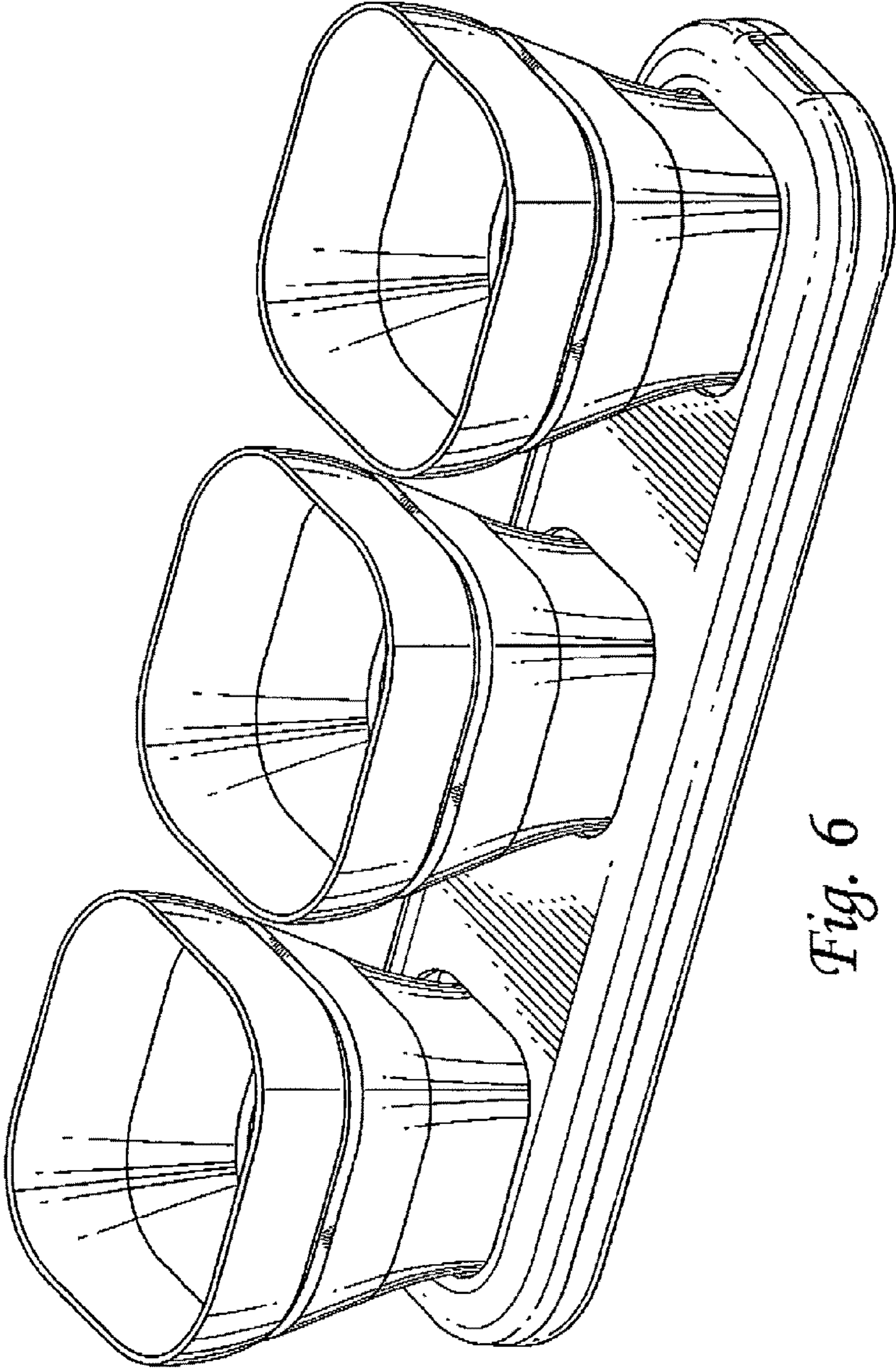
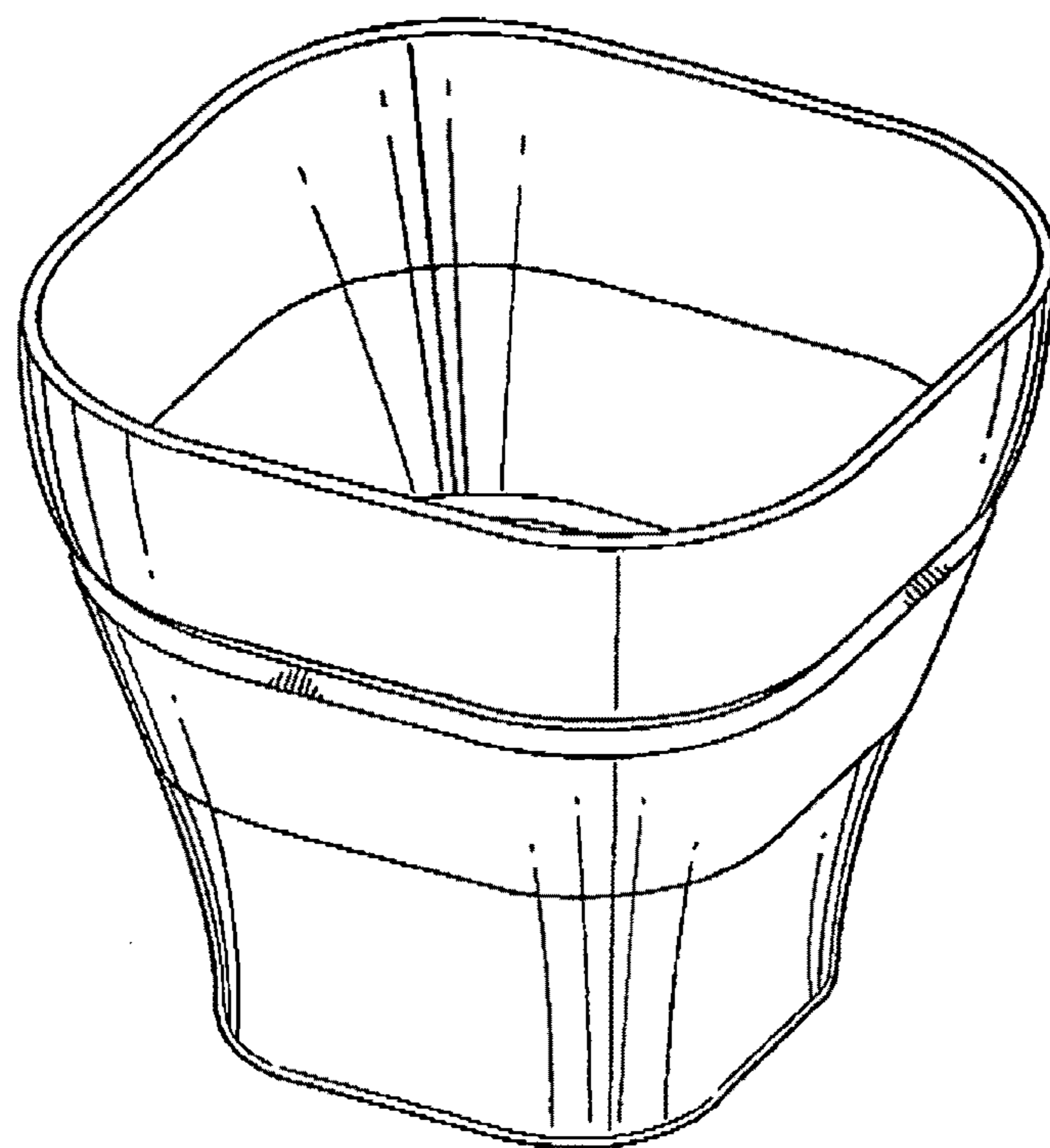
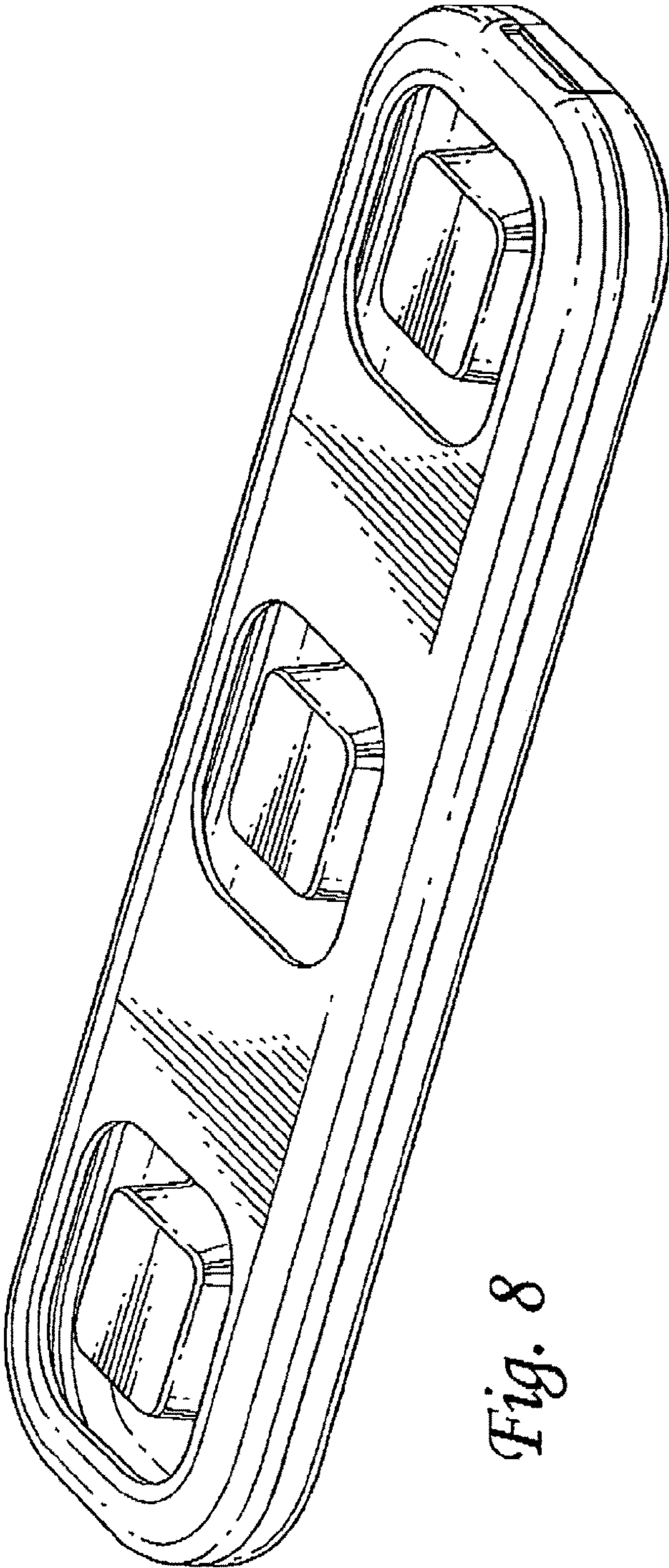


Fig. 6



*Fig. 7*





*Fig. 8*

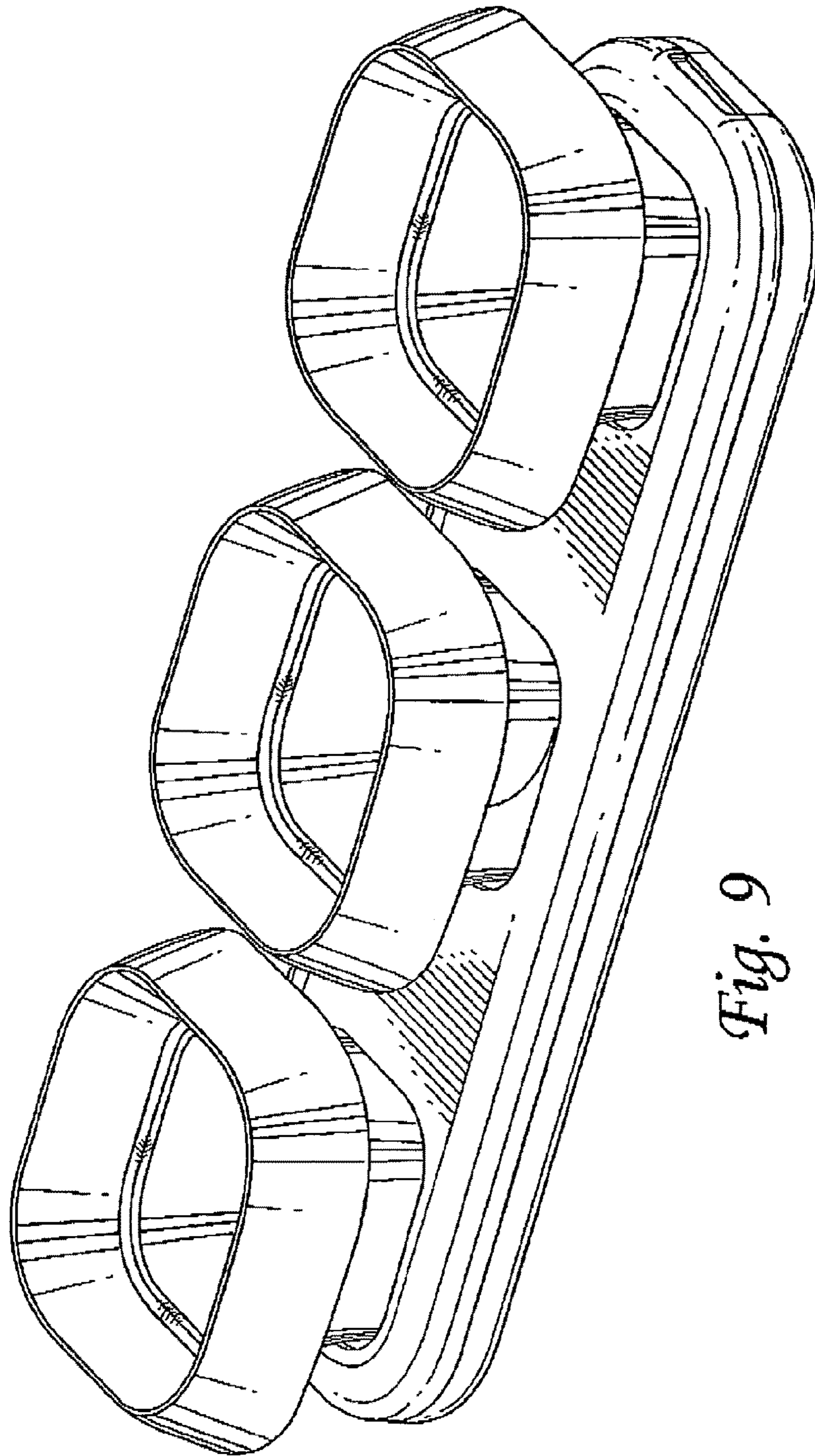
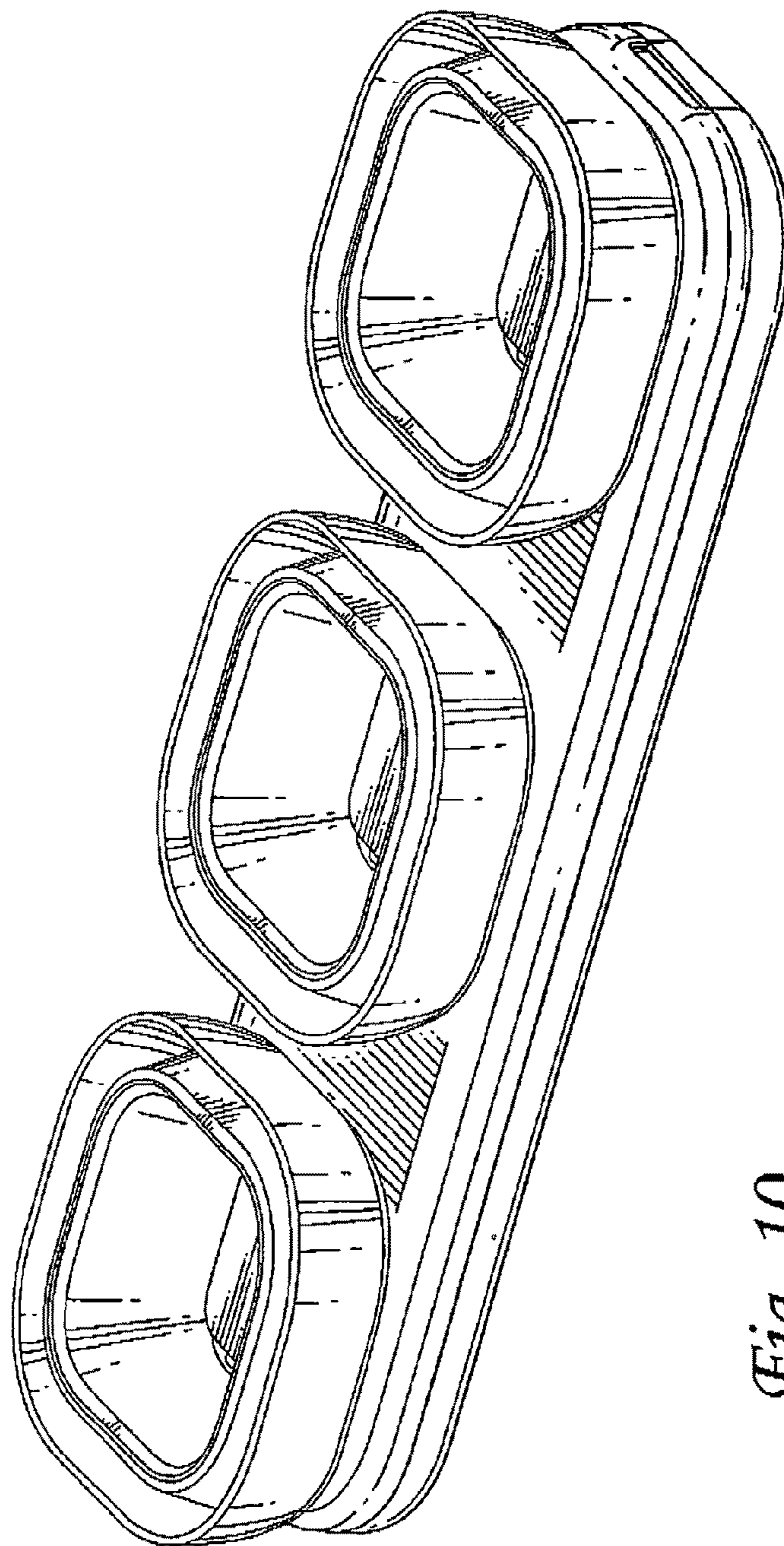


Fig. 9



*Fig. 10*