



US00D754559S

(12) **United States Design Patent**  
**Liang**

(10) **Patent No.:** **US D754,559 S**  
(45) **Date of Patent:** **\*\* Apr. 26, 2016**

(54) **PLANTER**

(71) Applicant: **Bloem, LLC**, Hudsonville, MI (US)

(72) Inventor: **Zhang Liang**, Wuhan (CN)

(73) Assignee: **Bloem, LLC**, Hudsonville, MI (US)

(\*\*) Term: **14 Years**

(21) Appl. No.: **29/506,634**

(22) Filed: **Oct. 17, 2014**

(30) **Foreign Application Priority Data**

Apr. 17, 2014 (CN) ..... 2014 3 0092989

(51) **LOC (10) Cl.** ..... **11-02**

(52) **U.S. Cl.**  
USPC ..... **D11/152**

(58) **Field of Classification Search**  
USPC ..... D6/403, 404, 405, 556, 557, 558,  
D6/682.1; D11/143–156, 164  
CPC ..... A01G 5/04; A01G 9/02; A01G 9/022;  
A01G 9/023; A01G 9/025; A01G 9/028;  
A01G 9/10  
See application file for complete search history.

(56) **References Cited**

**U.S. PATENT DOCUMENTS**

D46,645 S \* 11/1914 Traylor ..... D11/152  
D101,078 S \* 9/1936 Wilson ..... D3/271.4

D195,617 S \* 7/1963 Eger ..... D23/302  
3,252,252 A \* 5/1966 Muelberger, Jr. .... 47/82  
D262,274 S \* 12/1981 Lahr ..... D11/152  
4,614,056 A \* 9/1986 Farkas ..... 47/67  
D295,842 S \* 5/1988 Gay ..... D11/152  
D306,985 S \* 4/1990 Mason, Jr. .... D11/143  
D309,878 S \* 8/1990 Mason, Jr. .... D11/143  
D316,834 S \* 5/1991 Mendenhall ..... D11/143  
D444,217 S \* 6/2001 McMahon et al. .... D23/295  
7,055,282 B2 \* 6/2006 Bryan, III ..... 47/62 R  
D538,705 S \* 3/2007 Bartlett et al. .... D11/148  
D653,156 S \* 1/2012 Phelps et al. .... D11/143  
D686,431 S \* 7/2013 Dickerson ..... D6/556

\* cited by examiner

*Primary Examiner* — Elizabeth Albert

(74) *Attorney, Agent, or Firm* — Gardner, Linn, Burkhardt & Flory, LLP

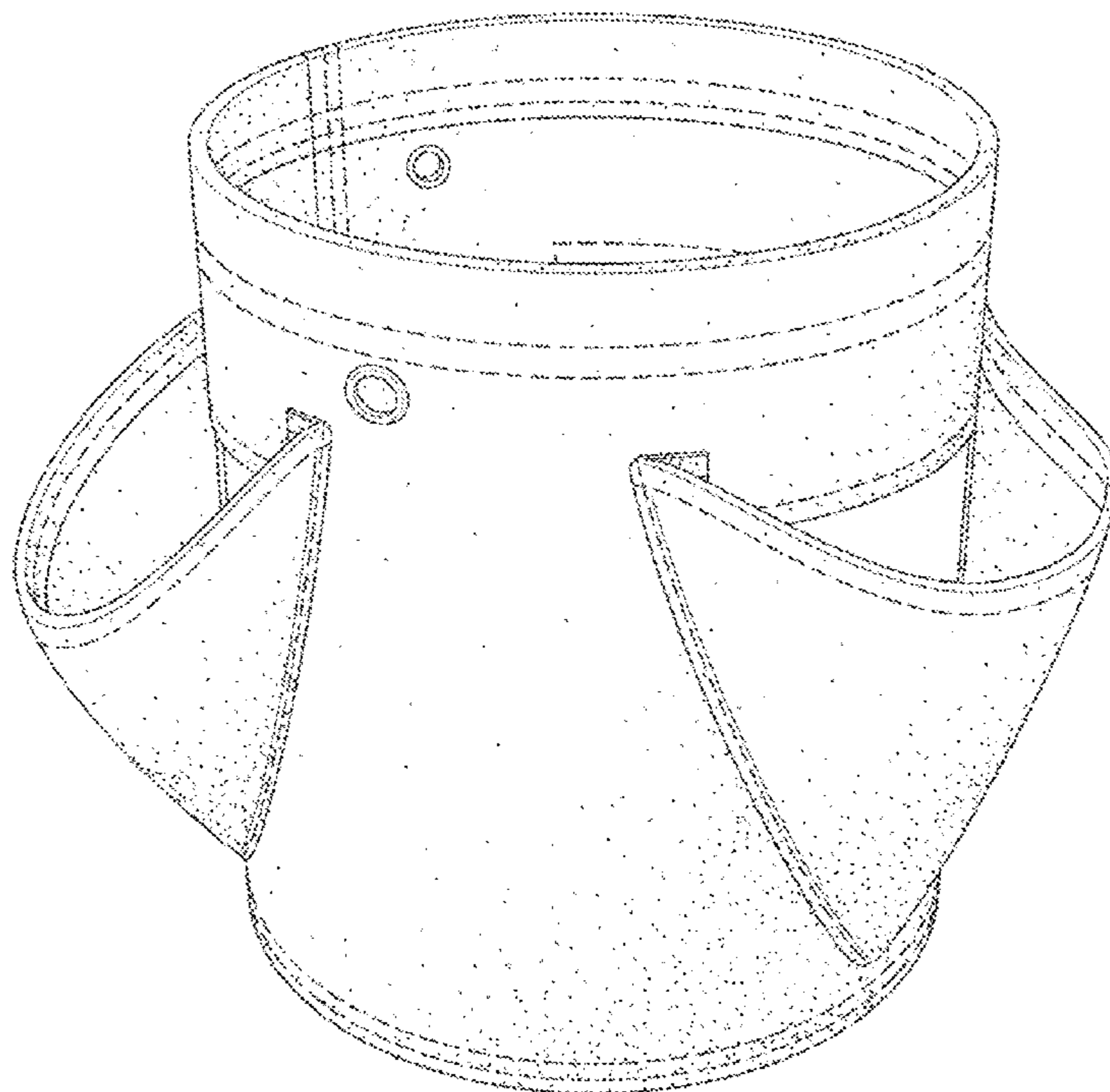
(57) **CLAIM**

The ornamental design for a planter, as shown and described.

**DESCRIPTION**

FIG. 1 is a perspective view of a planter showing my new design;  
FIG. 2 is a front elevational view thereof;  
FIG. 3 is a back elevational view thereof;  
FIG. 4 is a left side elevational view thereof;  
FIG. 5 is a right side elevational view thereof; and,  
FIG. 6 is a bottom plan view thereof.  
The broken lines showing of various portions or other elements in the Figures are for the purpose of illustrating unclaimed portions and form no part of the claimed design.

**1 Claim, 6 Drawing Sheets**



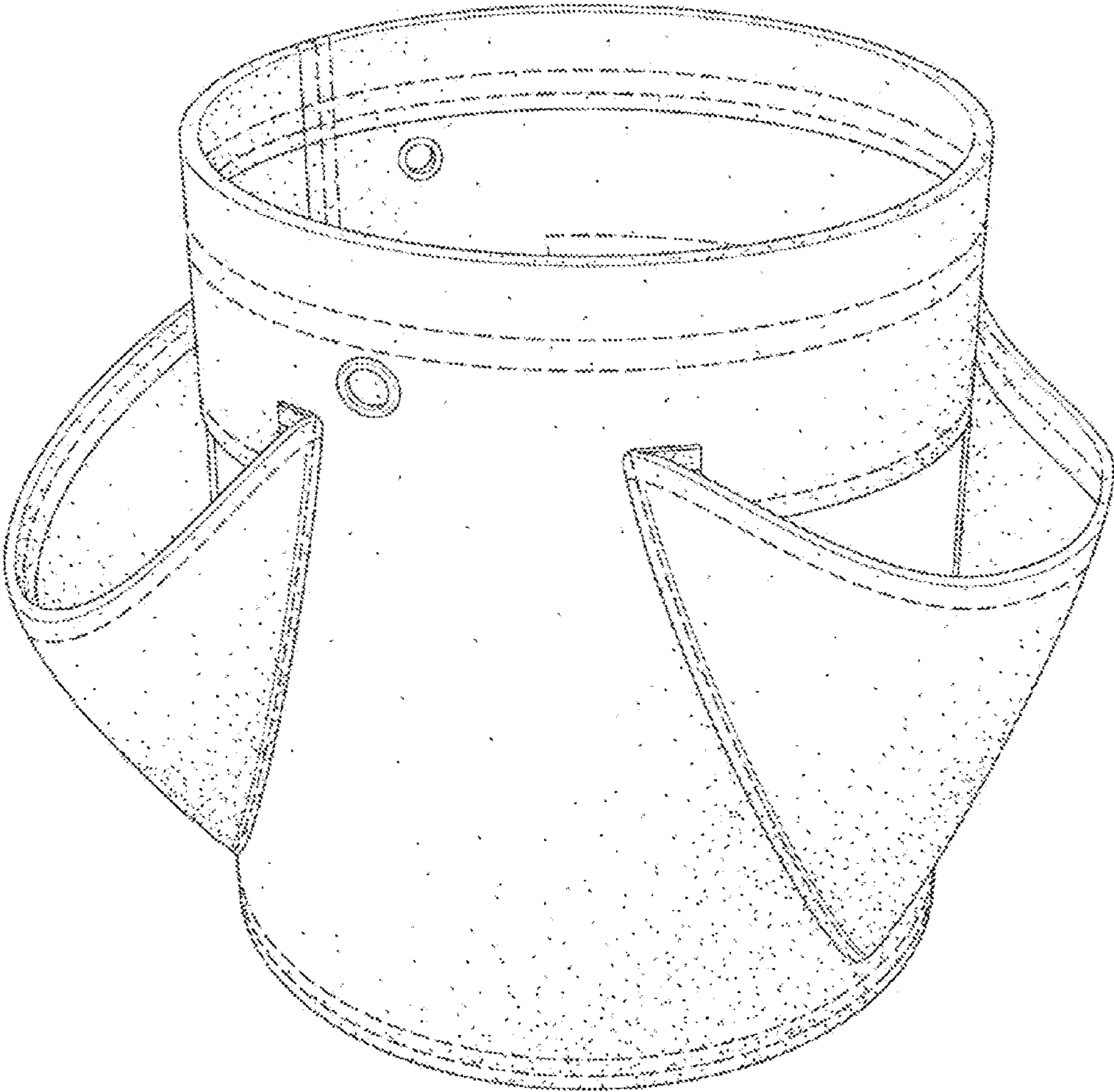


FIG. 1

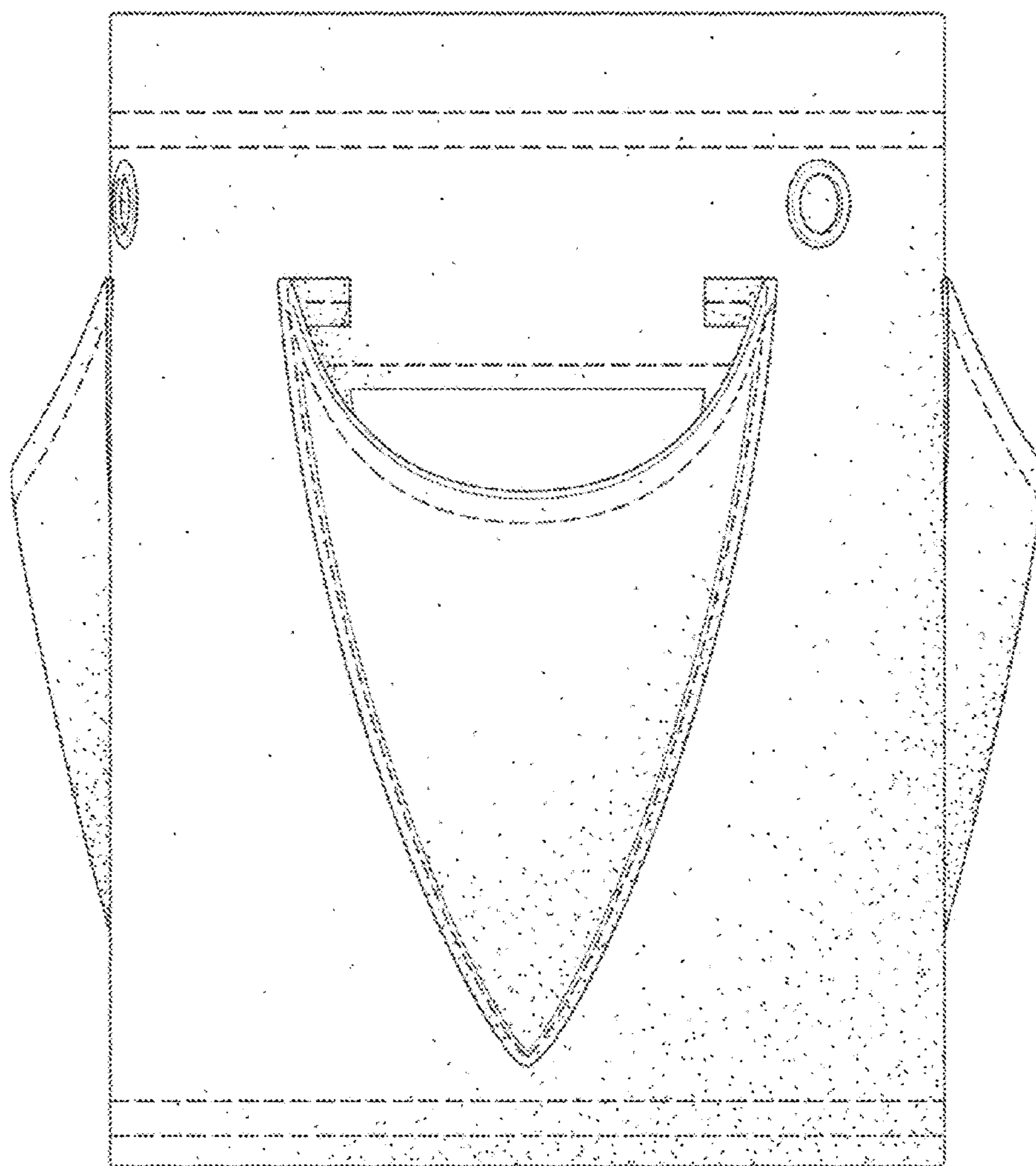


FIG. 2

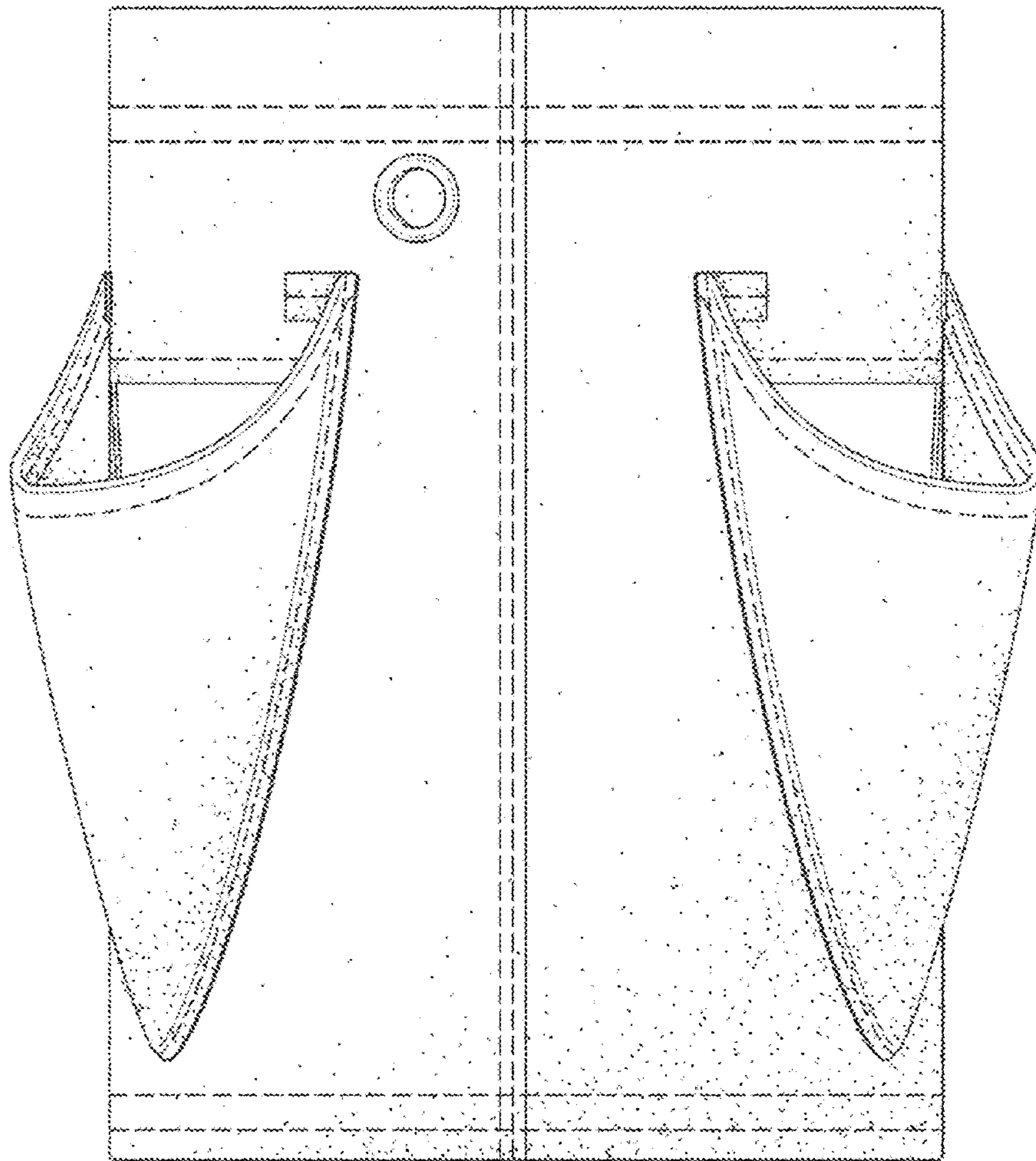


FIG. 3

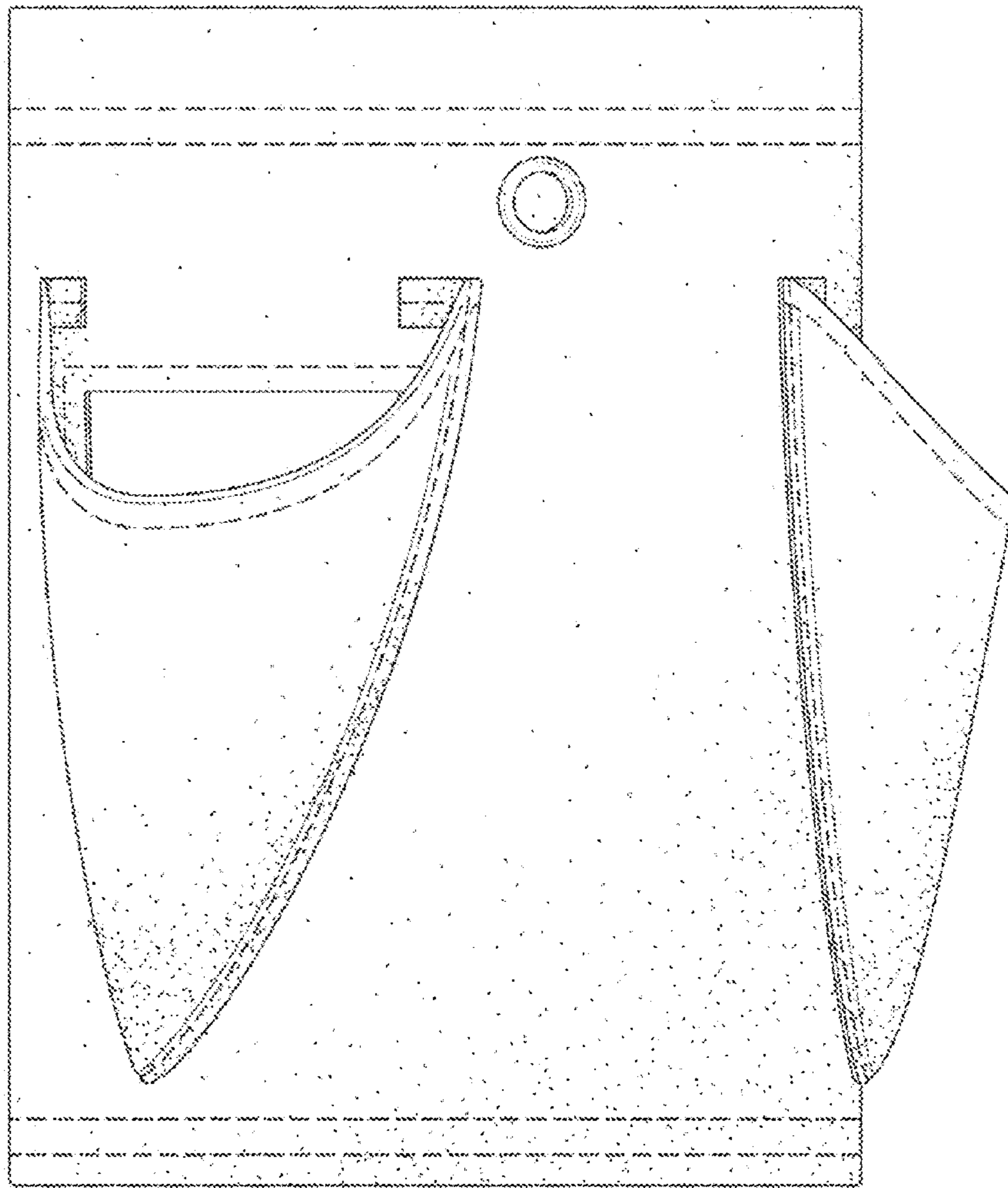


FIG. 4

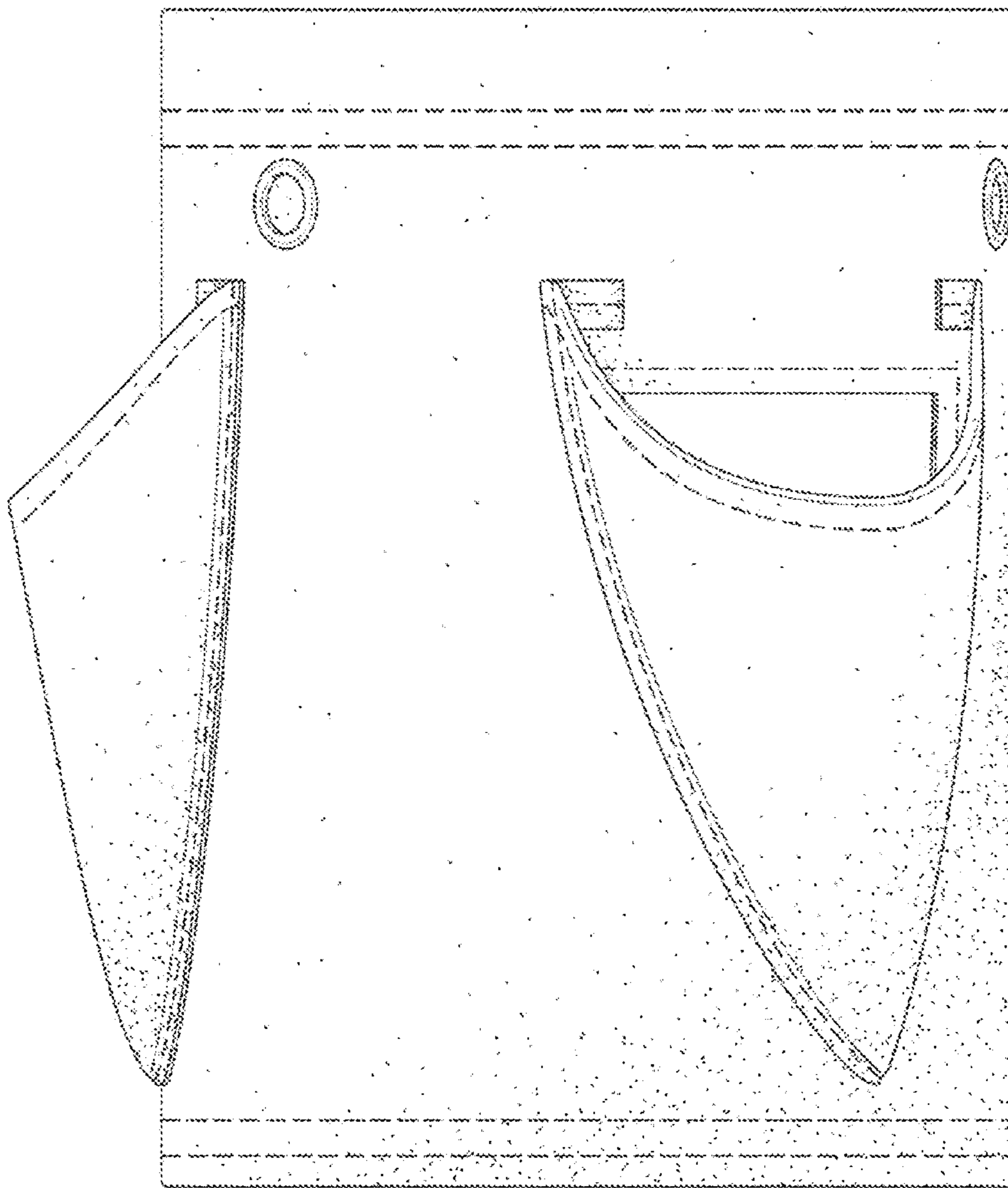


FIG. 5

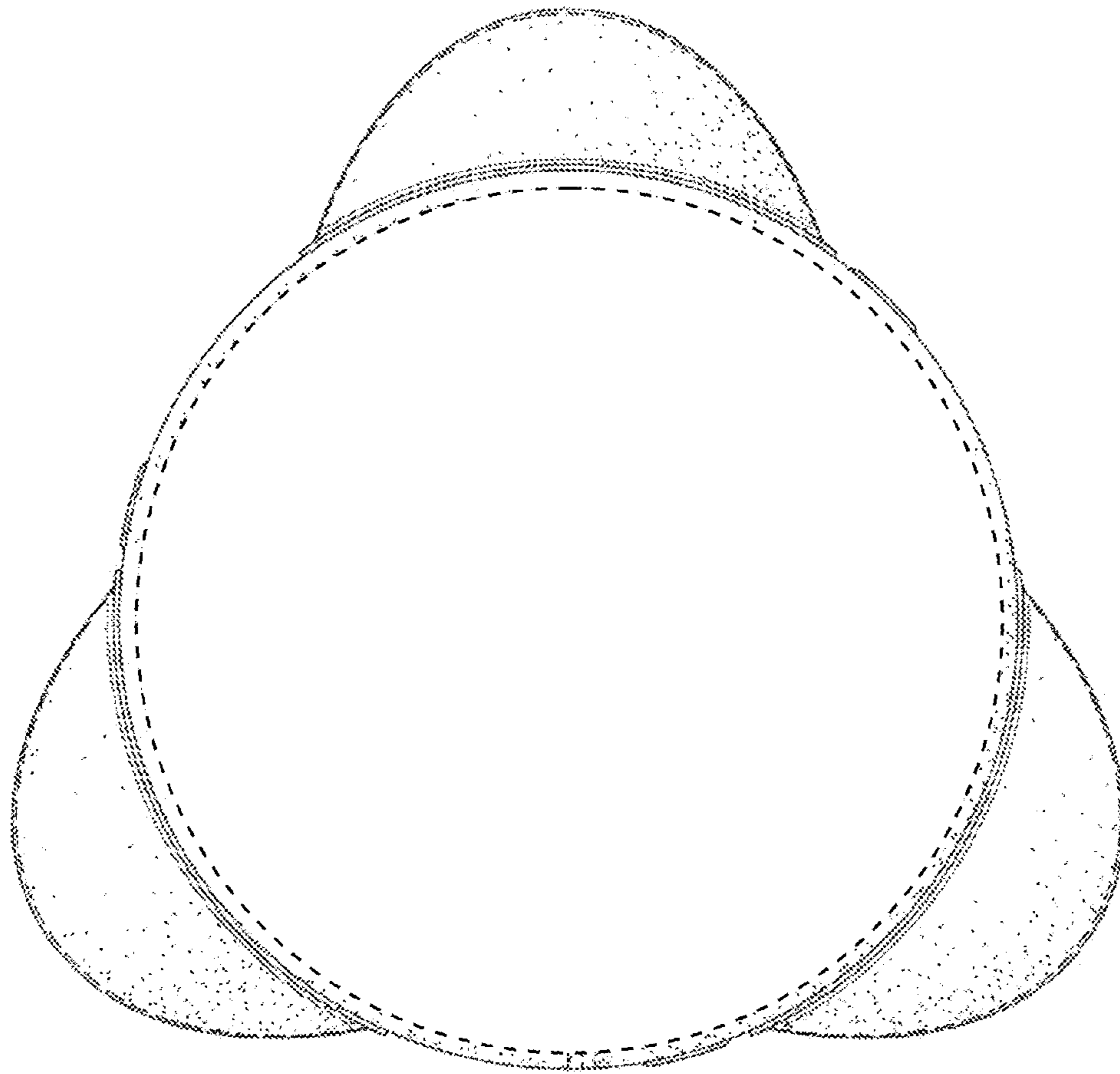


FIG. 6