



US00D754557S

(12) **United States Design Patent**
Wang et al.

(10) **Patent No.:** **US D754,557 S**

(45) **Date of Patent:** **** Apr. 26, 2016**

(54) **CENTRIFUGAL COMPRESSOR**

CPC F02M 37/04; F02M 37/14
See application file for complete search history.

(71) Applicant: **Gree Electric Appliances, Inc. of Zhuhai, Guangdong (CN)**

(56) **References Cited**

(72) Inventors: **Hongxing Wang, Guangdong (CN); Zhiping Zhang, Guangdong (CN); Ruixing Zhong, Guangdong (CN); Nan Jiang, Guangdong (CN); Rong Xie, Guangdong (CN); Caiyun Jiang, Guangdong (CN); Jianfei Liu, Guangdong (CN); Yuhui Chen, Guangdong (CN); Baoqian Huang, Guangdong (CN)**

U.S. PATENT DOCUMENTS

D450,327 S *	11/2001	Mori et al.	D15/7
D485,565 S *	1/2004	Martinello	D15/7
D668,684 S *	10/2012	Noguchi	D15/9
D684,197 S *	6/2013	Kienzle et al.	D15/9
D690,324 S *	9/2013	Kienzle et al.	D15/9
D695,318 S *	12/2013	Link et al.	D15/9
D699,763 S *	2/2014	Fitch et al.	D15/7
D719,192 S *	12/2014	Schlenker	D15/7

* cited by examiner

(73) Assignee: **Gree Electric Appliances, Inc. of Zhuhai, Guangdong (CN)**

Primary Examiner — Ralf Seifert

(74) *Attorney, Agent, or Firm* — The Webb Law Firm

(**) Term: **14 Years**

(57) **CLAIM**

The ornamental design for a centrifugal compressor, as shown and described.

(21) Appl. No.: **29/512,817**

(22) Filed: **Dec. 23, 2014**

DESCRIPTION

(30) **Foreign Application Priority Data**

Jul. 8, 2014 (CN) 2014 3 0227831

(51) **LOC (10) Cl.** **15-02**

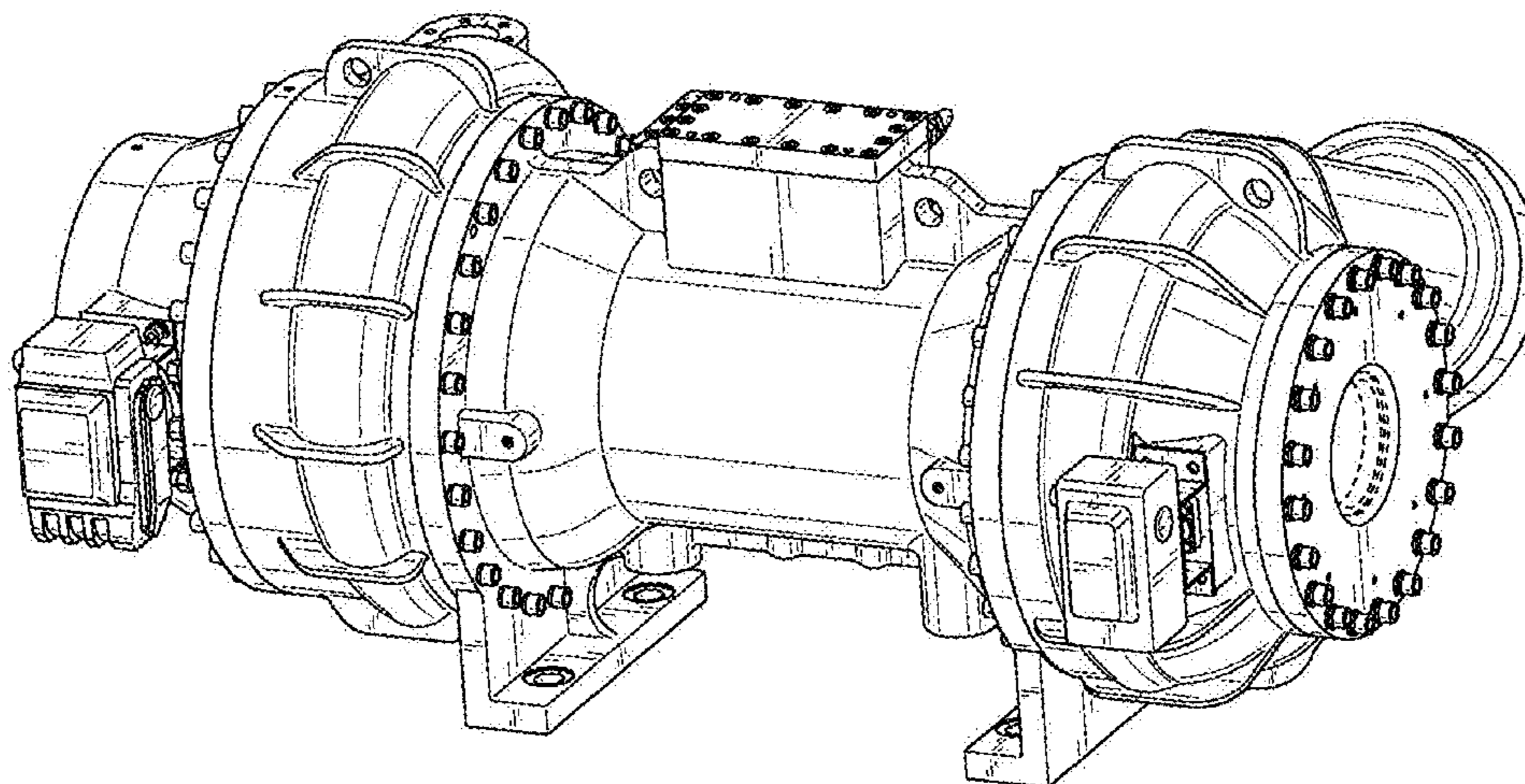
(52) **U.S. Cl.**
USPC **D11/9**

(58) **Field of Classification Search**
USPC D15/7-9; D23/231, 232, 225; 417/60, 417/235, 265, 321, 355, 358, 363, 359, 417/410.1, 415-416, 405, 900; 60/408, 60/412; 184/26-37; 415/140-147; 123/495, 509; 137/565.34

FIG. 1 is a front perspective view of a centrifugal compressor in accordance with the present invention;
FIG. 2 is a front side plan view thereof;
FIG. 3 is a rear side plan view thereof;
FIG. 4 is a top plan view thereof;
FIG. 5 is a bottom plan view thereof;
FIG. 6 is a right side plan view thereof; and,
FIG. 7 is a left side plan view thereof.

The broken lines are included for the purpose of illustrating portions of the centrifugal compressor that form no part of the claimed design.

1 Claim, 7 Drawing Sheets



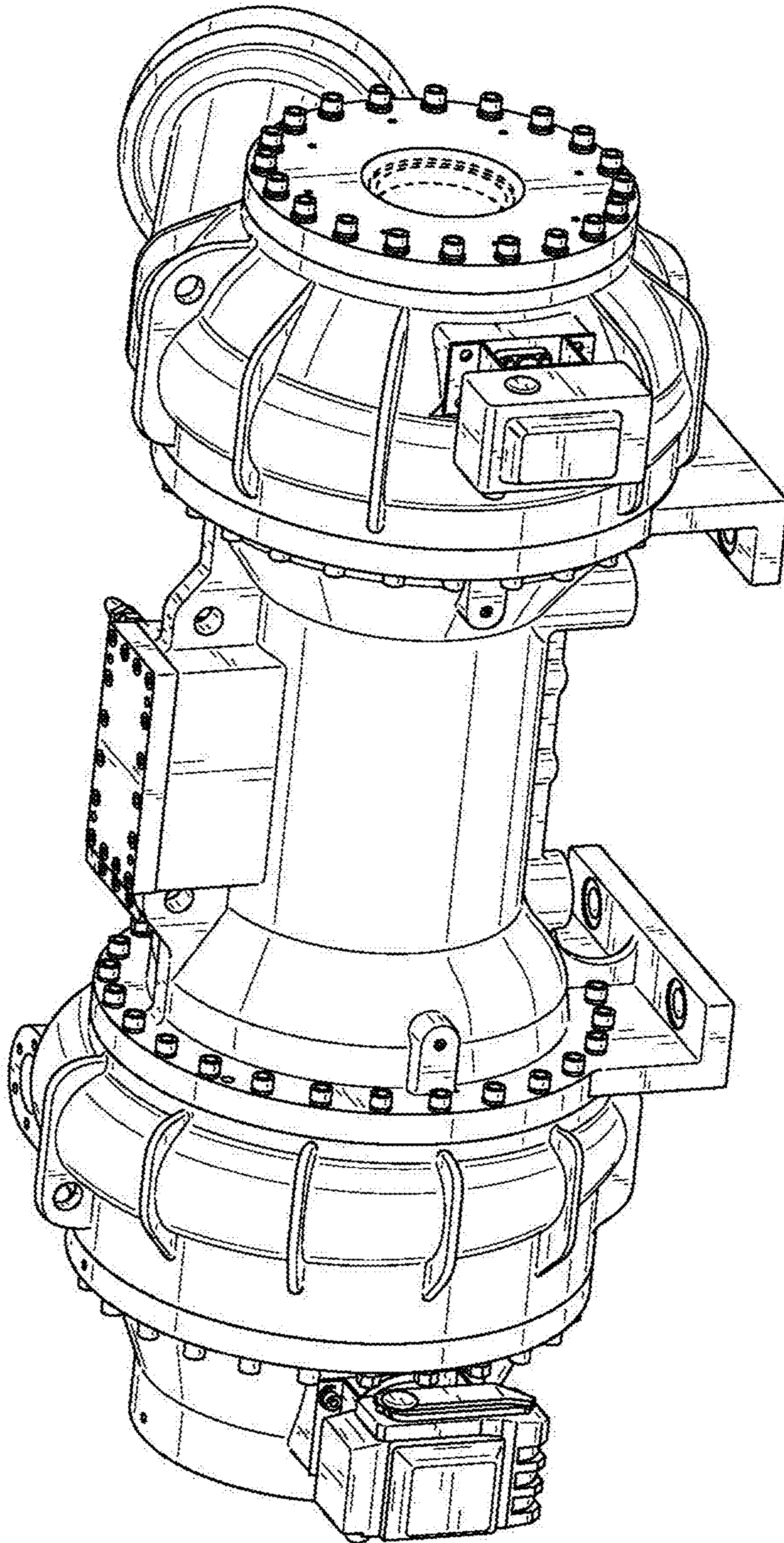


FIG. 1

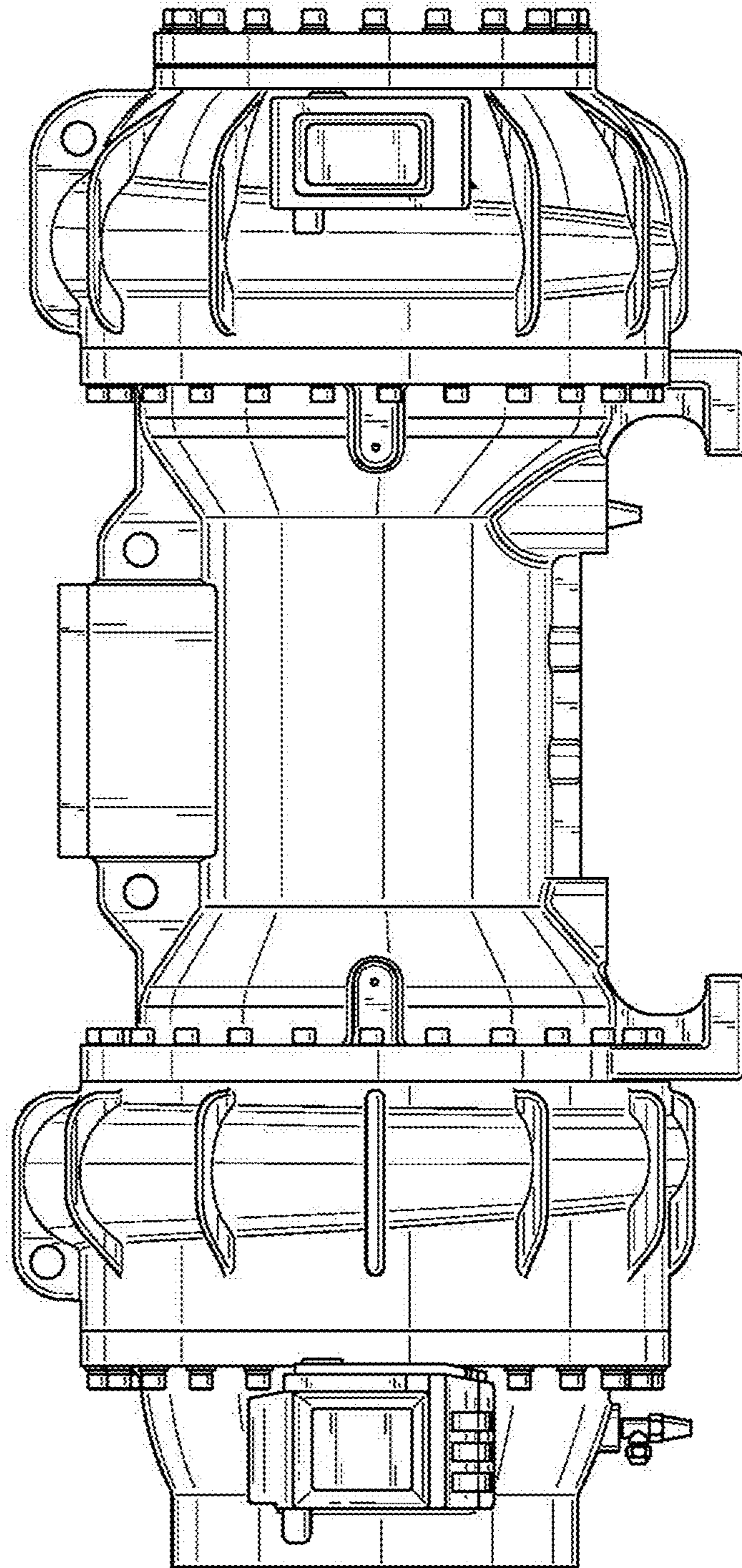


FIG. 2

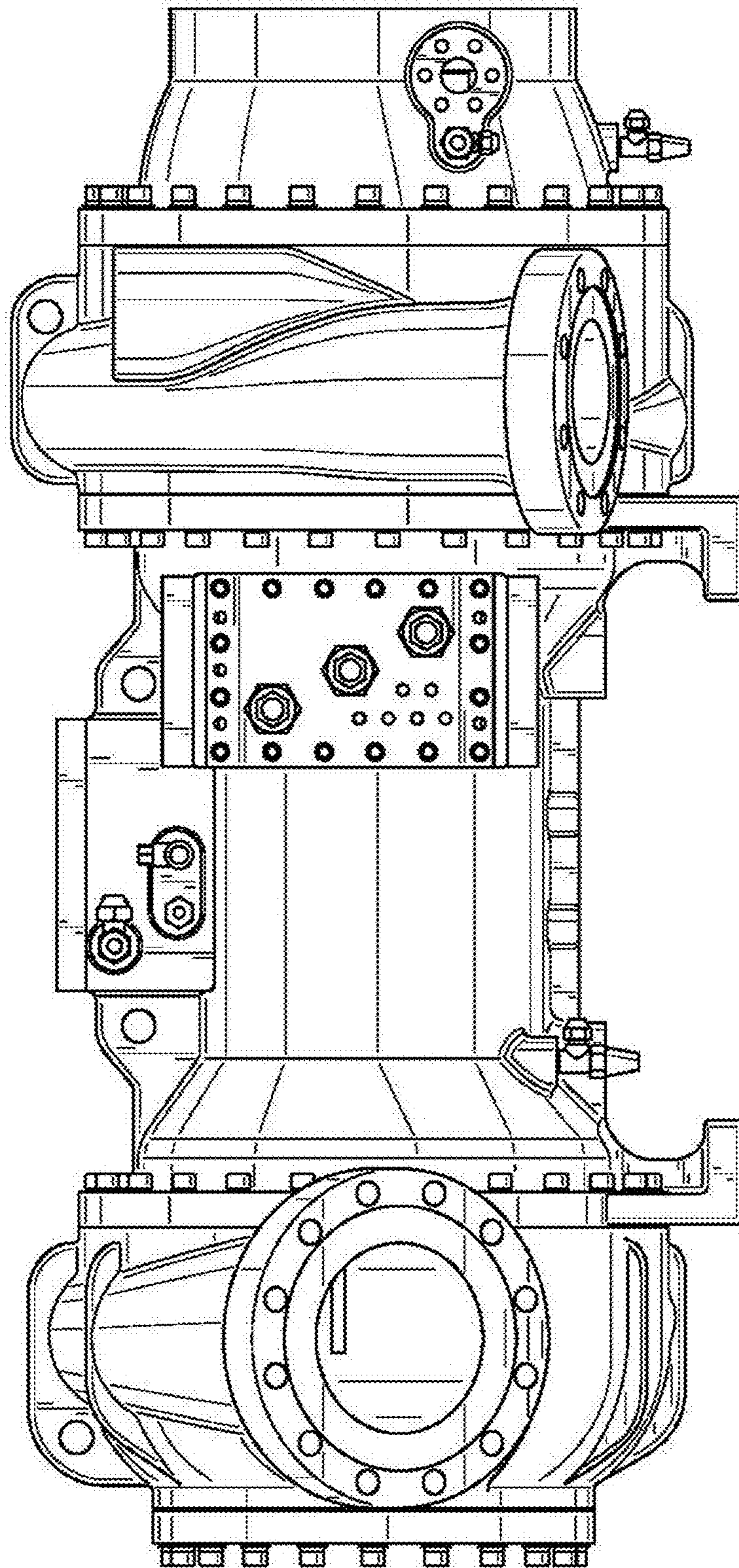


FIG. 3

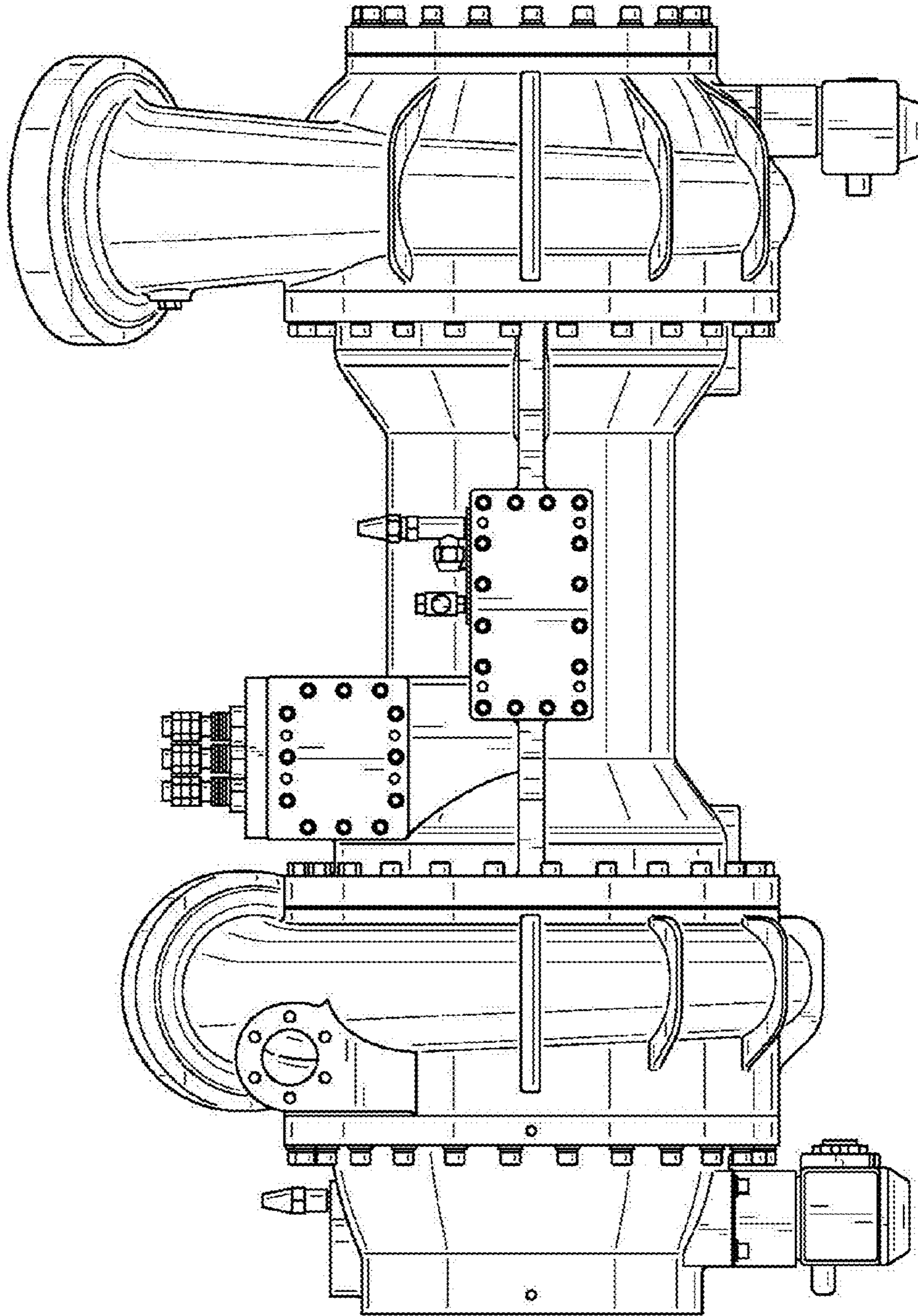


FIG. 4

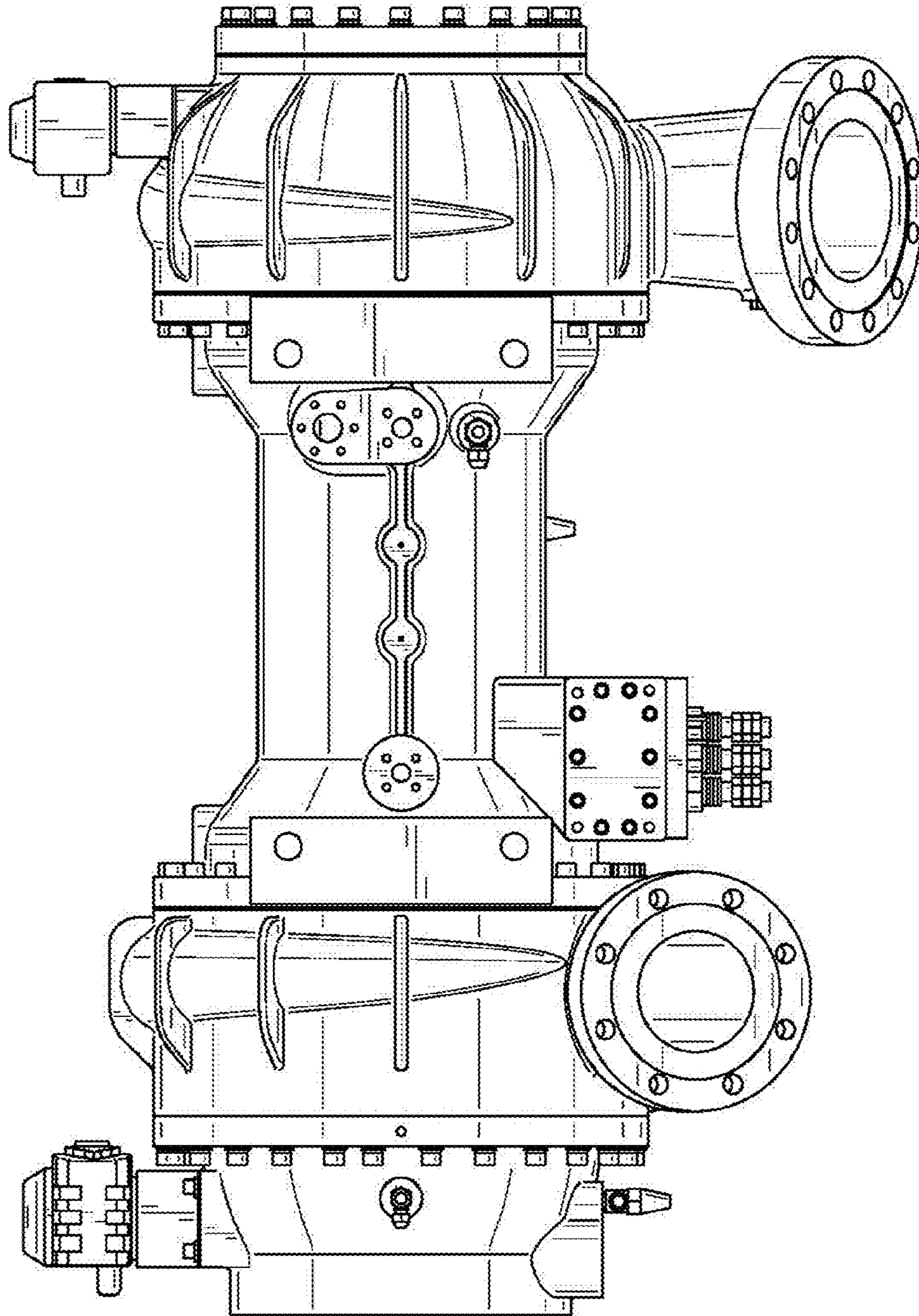


FIG. 5

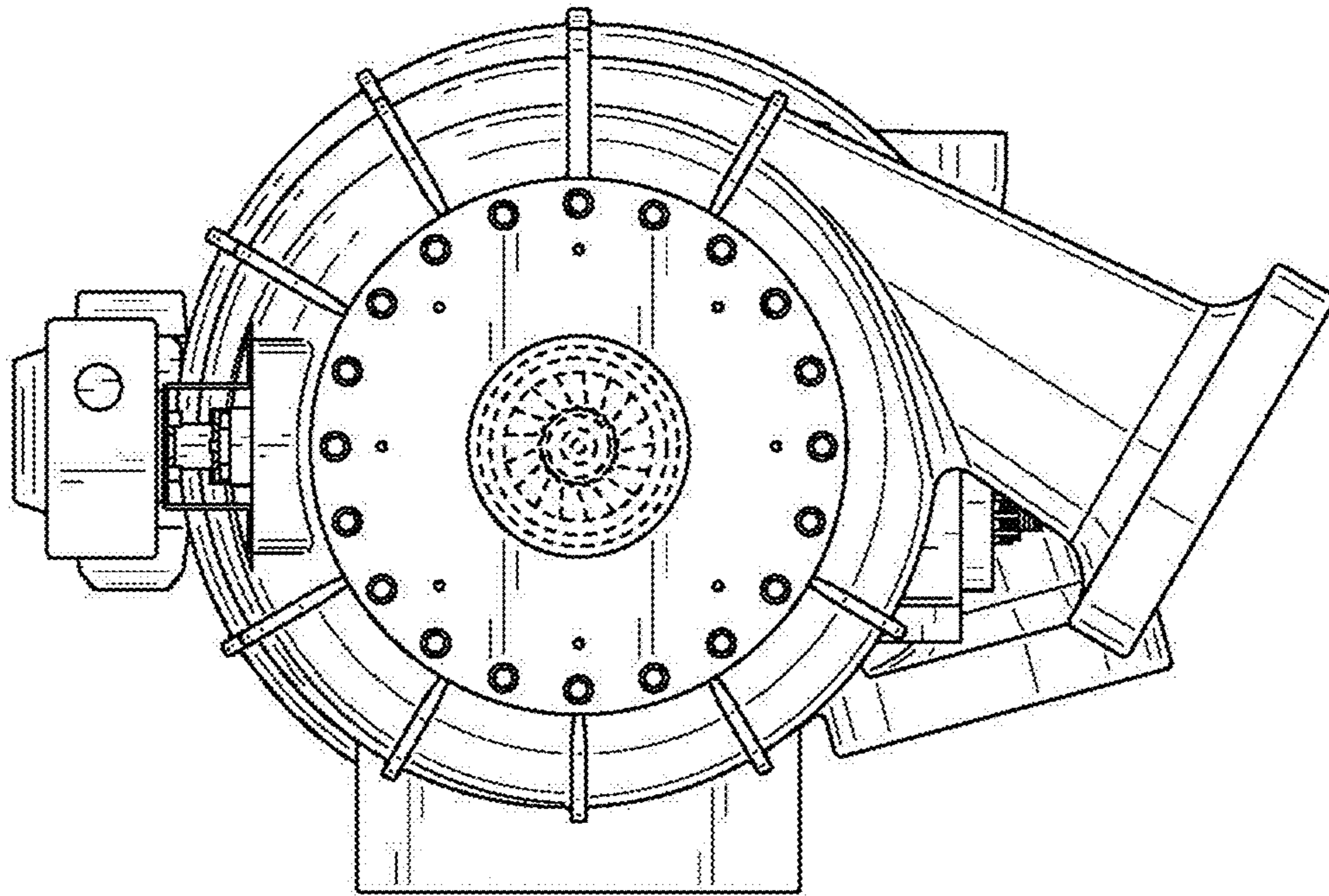


FIG. 6

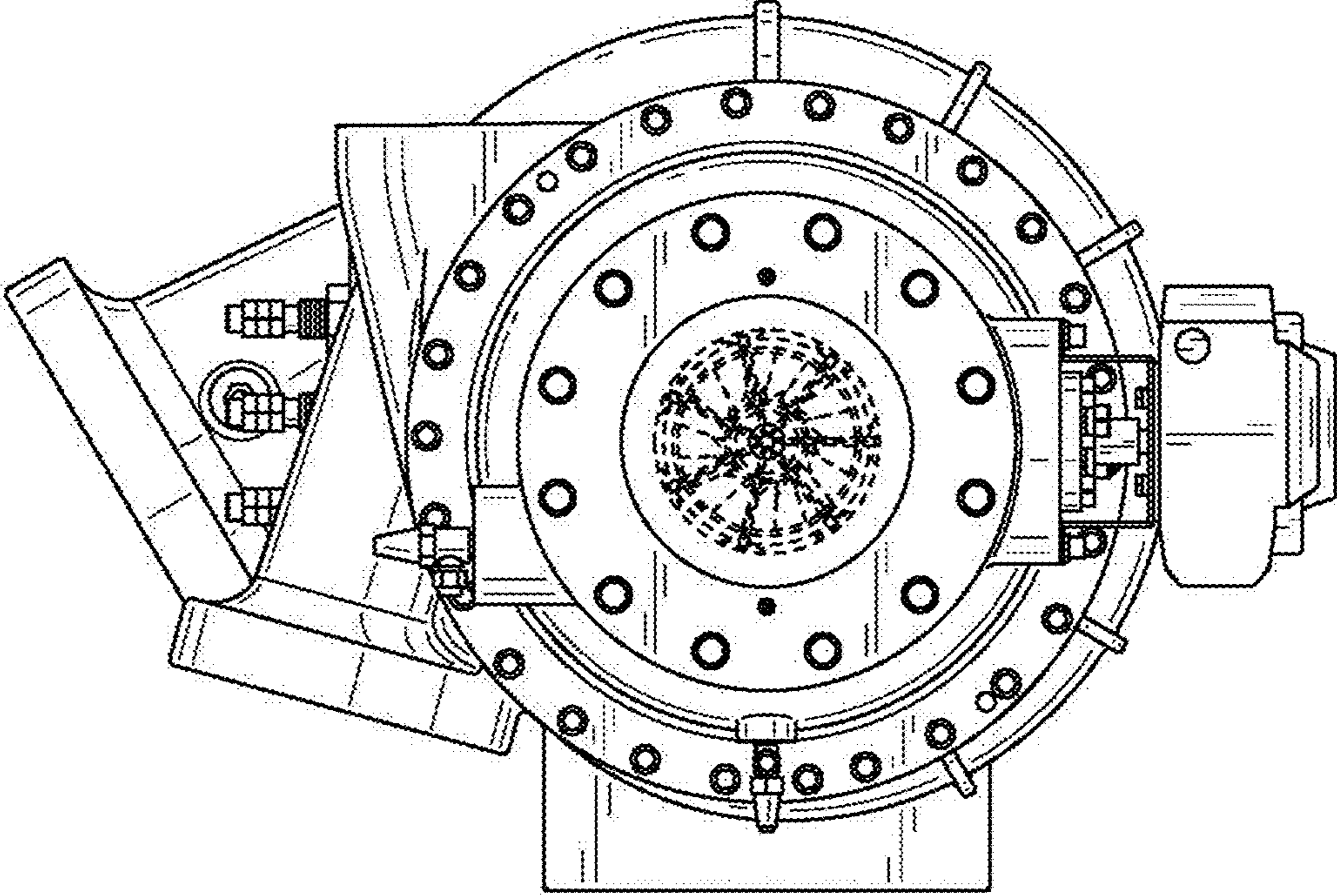


FIG. 7