



US00D754556S

(12) **United States Design Patent**
Bousquet

(10) **Patent No.:** **US D754,556 S**

(45) **Date of Patent:** **** Apr. 26, 2016**

(54) **DOORBELL**

(71) Applicant: **MELJAC**, Paris (FR)

(72) Inventor: **Andre Bousquet**, Paris (FR)

(73) Assignee: **MELJAC**, Paris (FR)

(**) Term: **14 Years**

(21) Appl. No.: **29/511,666**

(22) Filed: **Dec. 12, 2014**

(30) **Foreign Application Priority Data**

Jun. 13, 2014 (EM) 002482158-0001

(51) **LOC (10) Cl.** **10-05**

(52) **U.S. Cl.**
USPC **D10/118.2; D13/158**

(58) **Field of Classification Search**
USPC D10/118.2; D13/158, 171
See application file for complete search history.

(56) **References Cited**

U.S. PATENT DOCUMENTS

D336,744 S * 6/1993 Kahn D13/158
D540,747 S * 4/2007 Gerard D13/158

* cited by examiner

Primary Examiner — George D Kirschbaum

(74) *Attorney, Agent, or Firm* — Young & Thompson

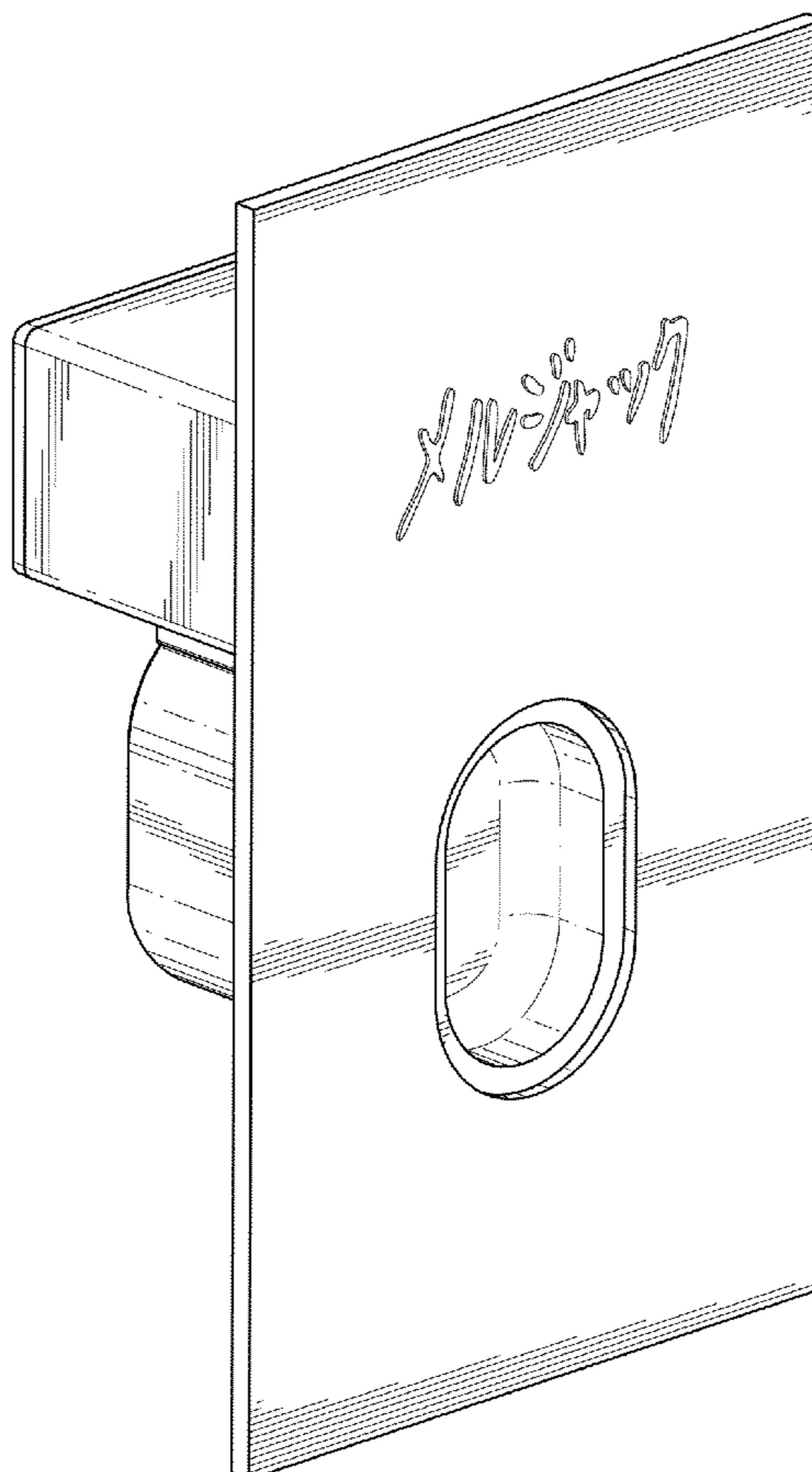
(57) **CLAIM**

The ornamental design for a doorbell, as shown and described.

DESCRIPTION

FIG. 1 is a front, right side and top perspective view of a doorbell showing the new design;
FIG. 2 is a front elevation view thereof;
FIG. 3 is a rear elevation view thereof;
FIG. 4 is a right side elevation view thereof;
FIG. 5 is a left side elevation view thereof;
FIG. 6 is a top plan view thereof; and,
FIG. 7 is a bottom plan view thereof.

1 Claim, 4 Drawing Sheets



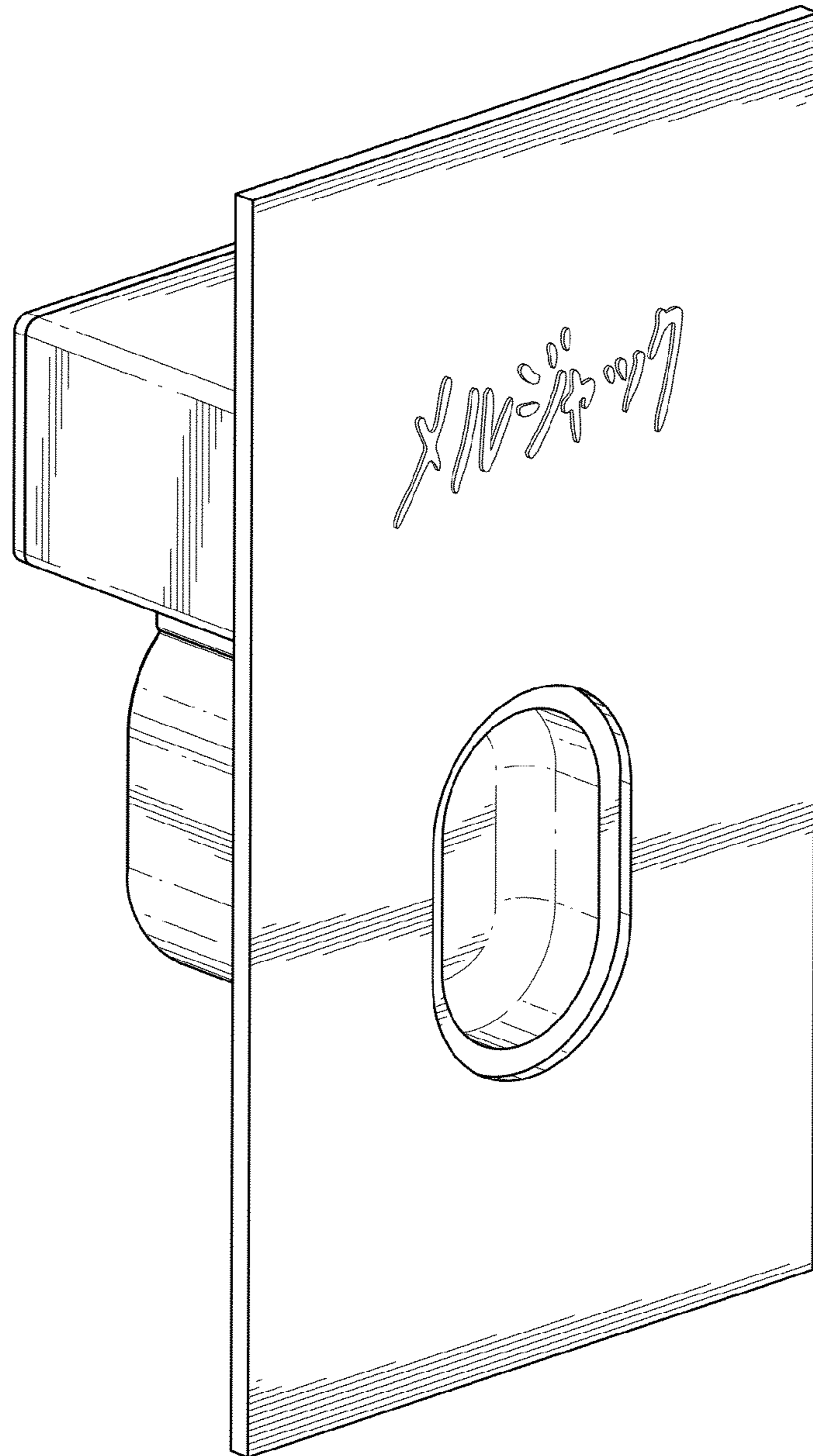


FIG. 1

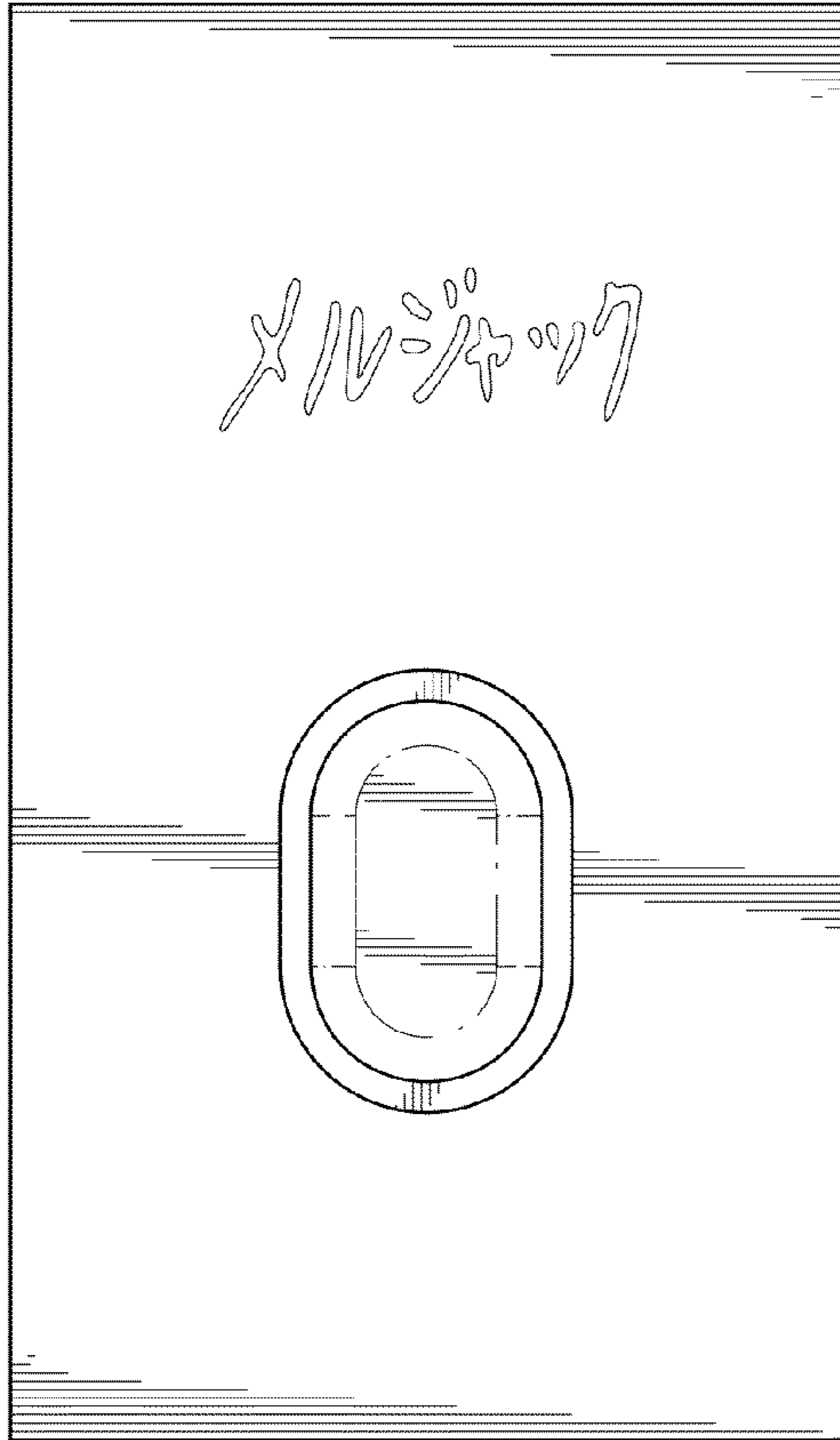


FIG. 2

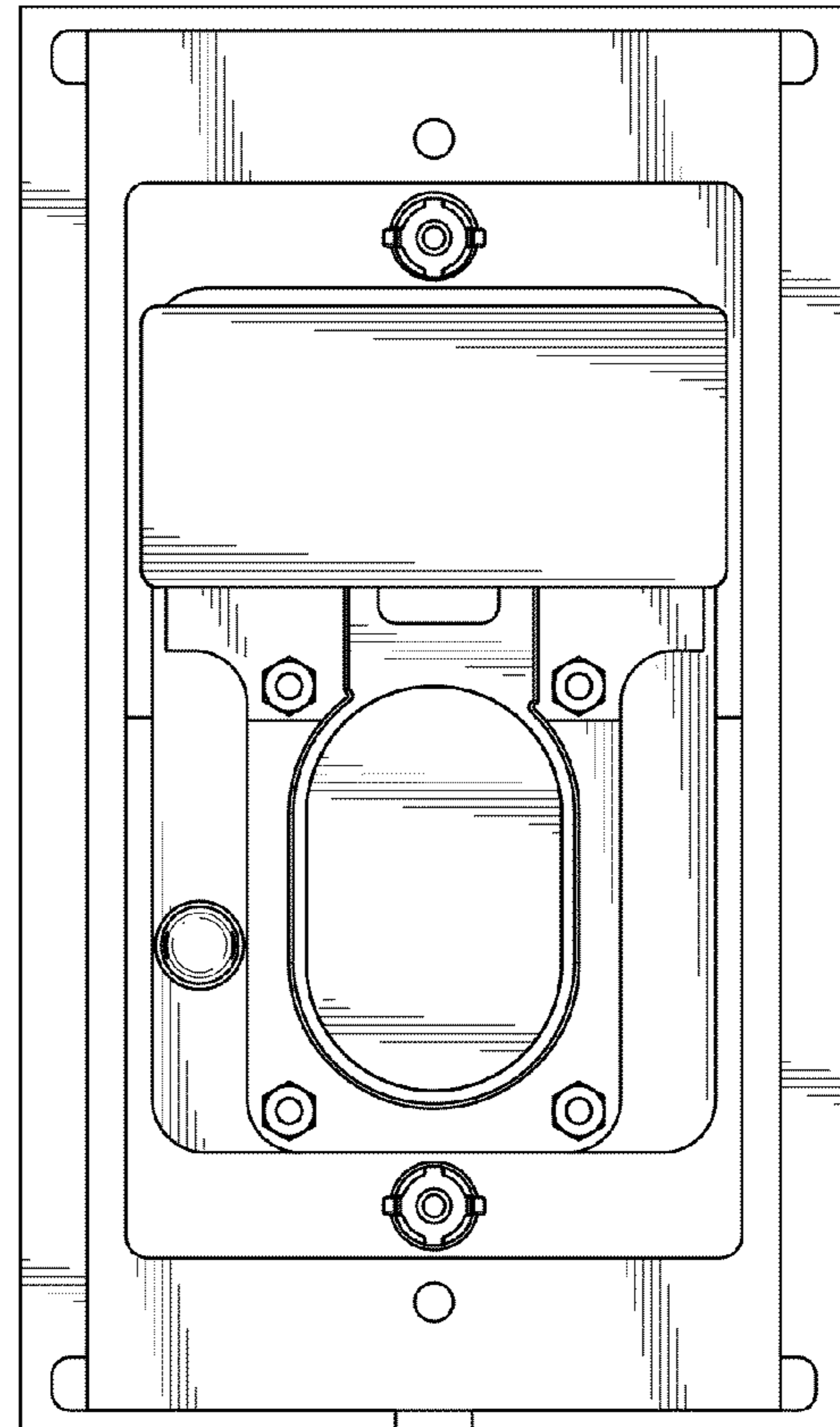


FIG. 3

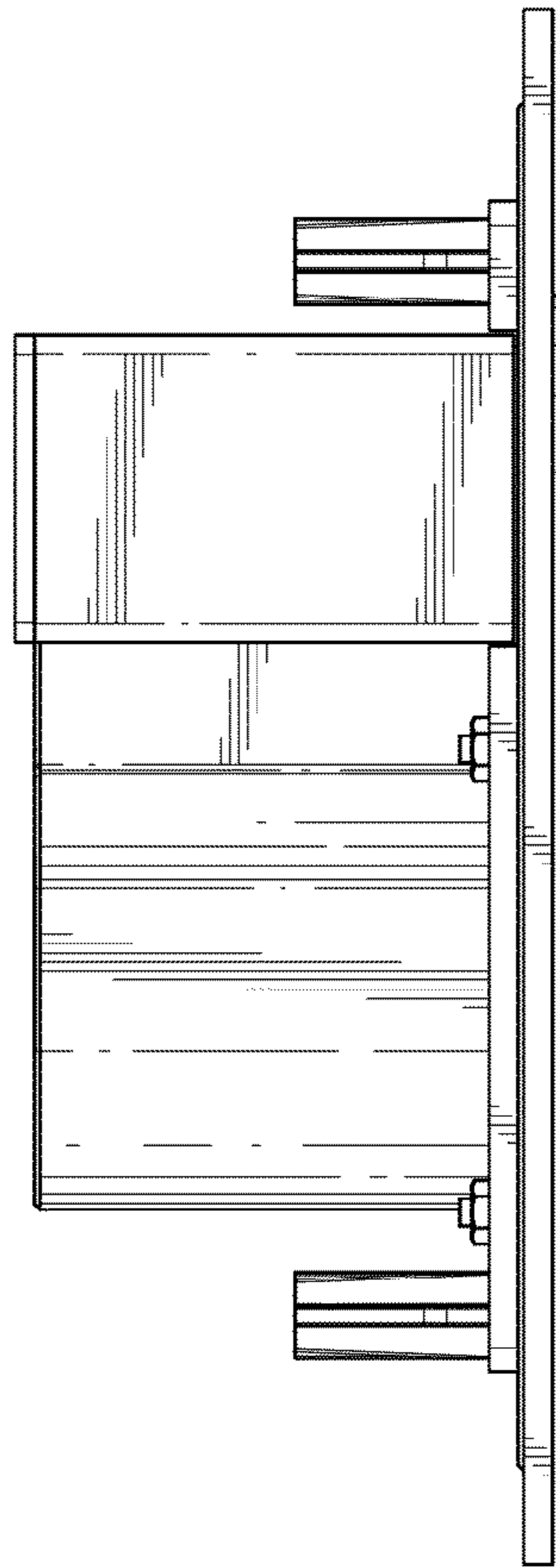


FIG. 4

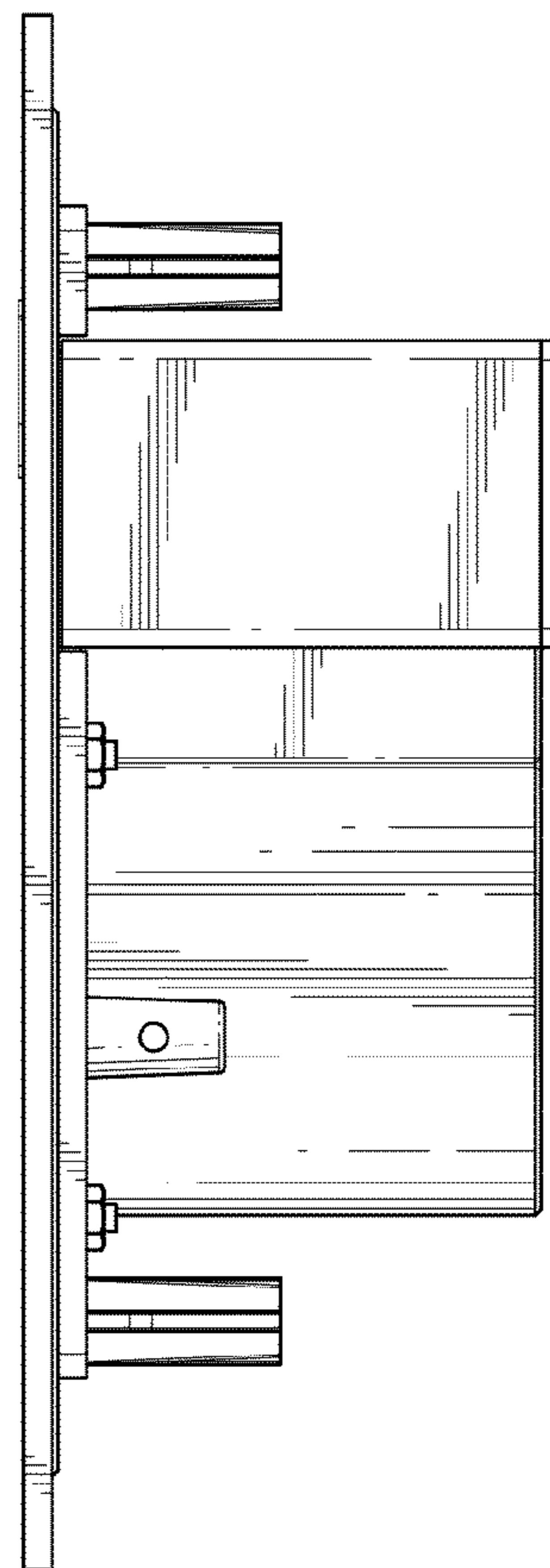


FIG. 5

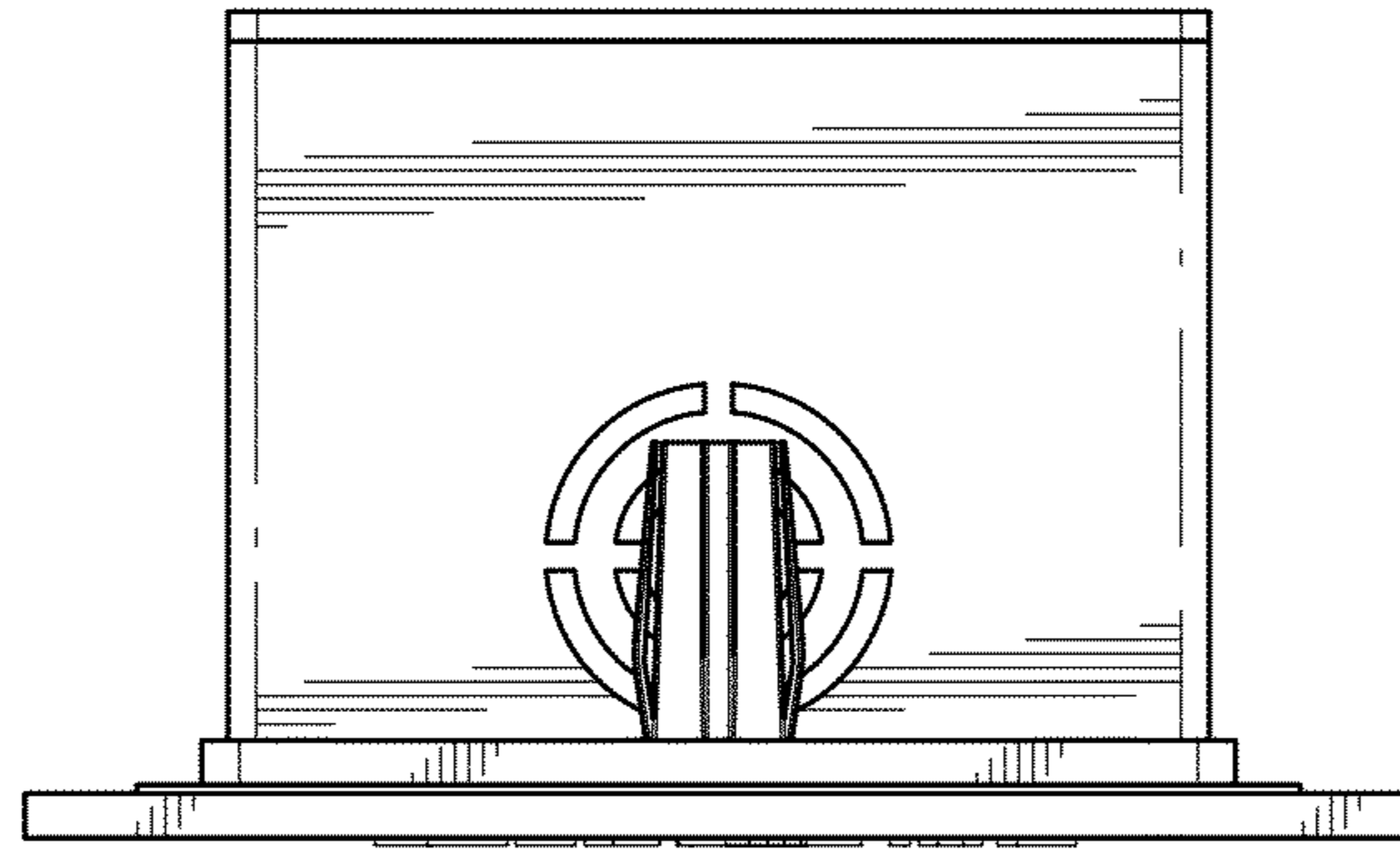


FIG. 6

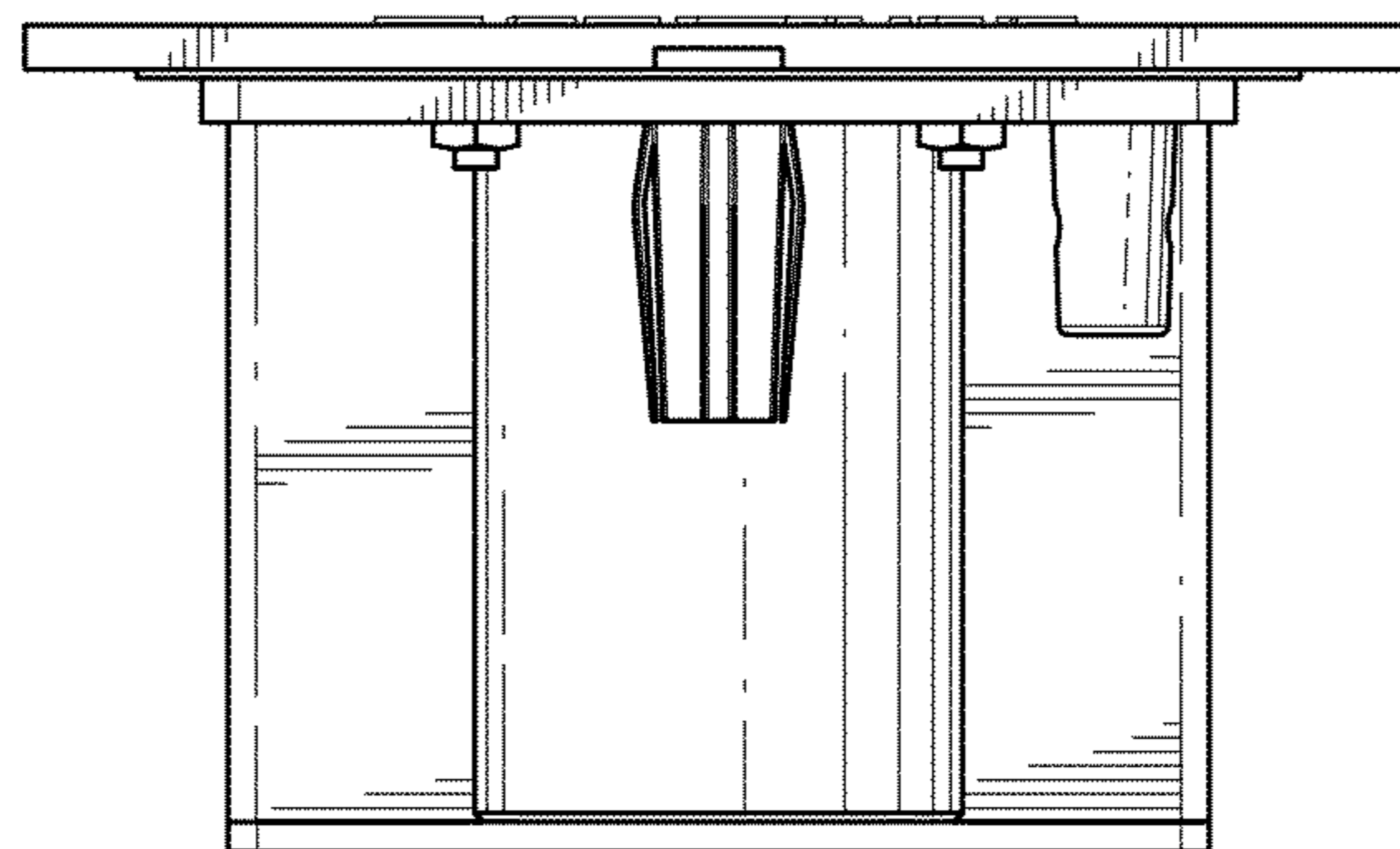


FIG. 7