



US00D754555S

(12) **United States Design Patent**
Hein et al.

(10) **Patent No.:** **US D754,555 S**
(45) **Date of Patent:** **** Apr. 26, 2016**

- (54) **CONTROL-SIGNAL INITIATOR**
- (71) Applicant: **Robert Bosch GmbH**, Stuttgart (DE)
- (72) Inventors: **Sebastian Hein**, Hannover (DE); **Tim Krahmer**, Hannover (DE); **Oliver Eckstein**, Fellbach (DE)
- (73) Assignee: **Aventics GmbH**, Laatzten (DE)
- (**) Term: **14 Years**
- (21) Appl. No.: **29/455,881**
- (22) Filed: **May 24, 2013**

- (30) **Foreign Application Priority Data**
Nov. 26, 2012 (CN) 2012 3 0575503
- (51) **LOC (10) Cl.** **10-05**
- (52) **U.S. Cl.**
USPC **D10/104.1**
- (58) **Field of Classification Search**
USPC D12/317; D10/121, 104.1
CPC G05D 13/00
See application file for complete search history.

- (56) **References Cited**
U.S. PATENT DOCUMENTS

6,280,269	B1 *	8/2001	Gaynor	440/84
7,330,782	B2 *	2/2008	Graham et al.	701/21
D573,936	S *	7/2008	Jin	D12/317
D663,254	S *	7/2012	Bondesson	D12/317
D689,423	S *	9/2013	Park et al.	D12/317
2009/0002198	A1 *	1/2009	Bach	341/20

* cited by examiner

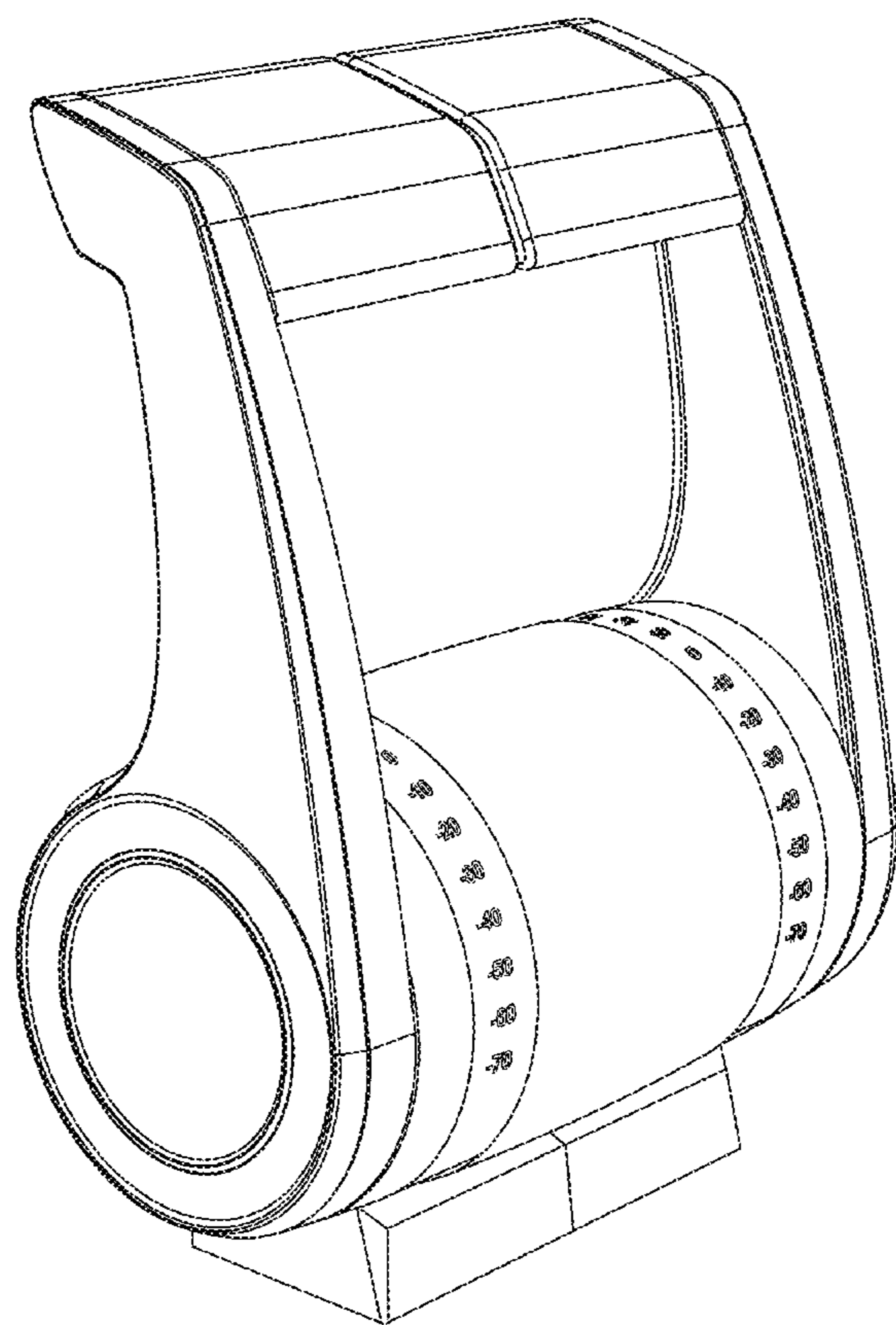
Primary Examiner — George D Kirschbaum
(74) *Attorney, Agent, or Firm* — Maginot, Moore & Beck LLP

(57) **CLAIM**
The ornamental design for a control-signal initiator, as shown and described.

DESCRIPTION

FIG. 1 is a top perspective view of a control-signal initiator showing our new design;
FIG. 2, is a front elevational view thereof;
FIG. 3 is a left side elevational view thereof;
FIG. 4 is a right side elevational view thereof;
FIG. 5 is a top plan view thereof; and,
FIG. 6 is a bottom plan view thereof.

1 Claim, 6 Drawing Sheets



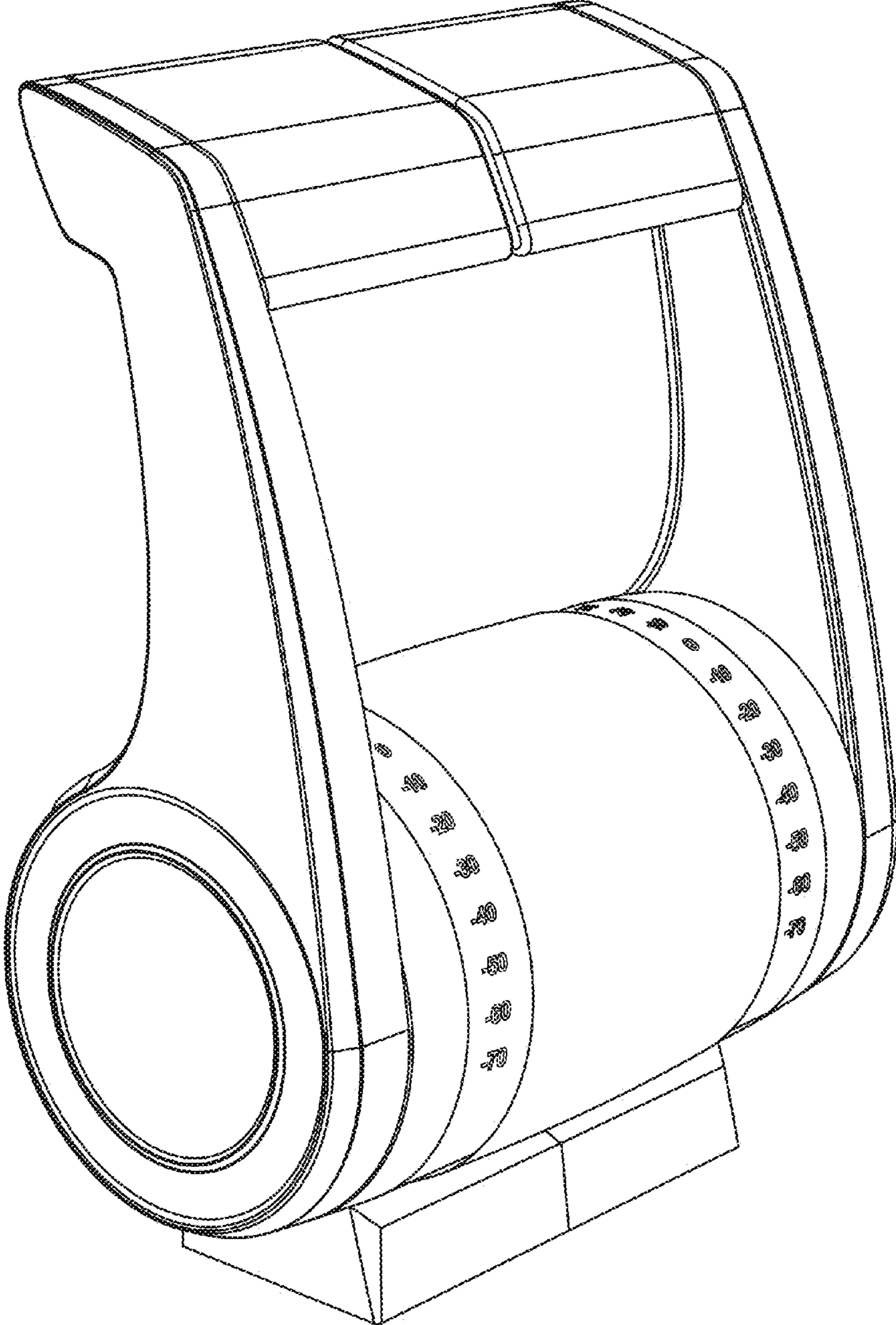


FIG. 1

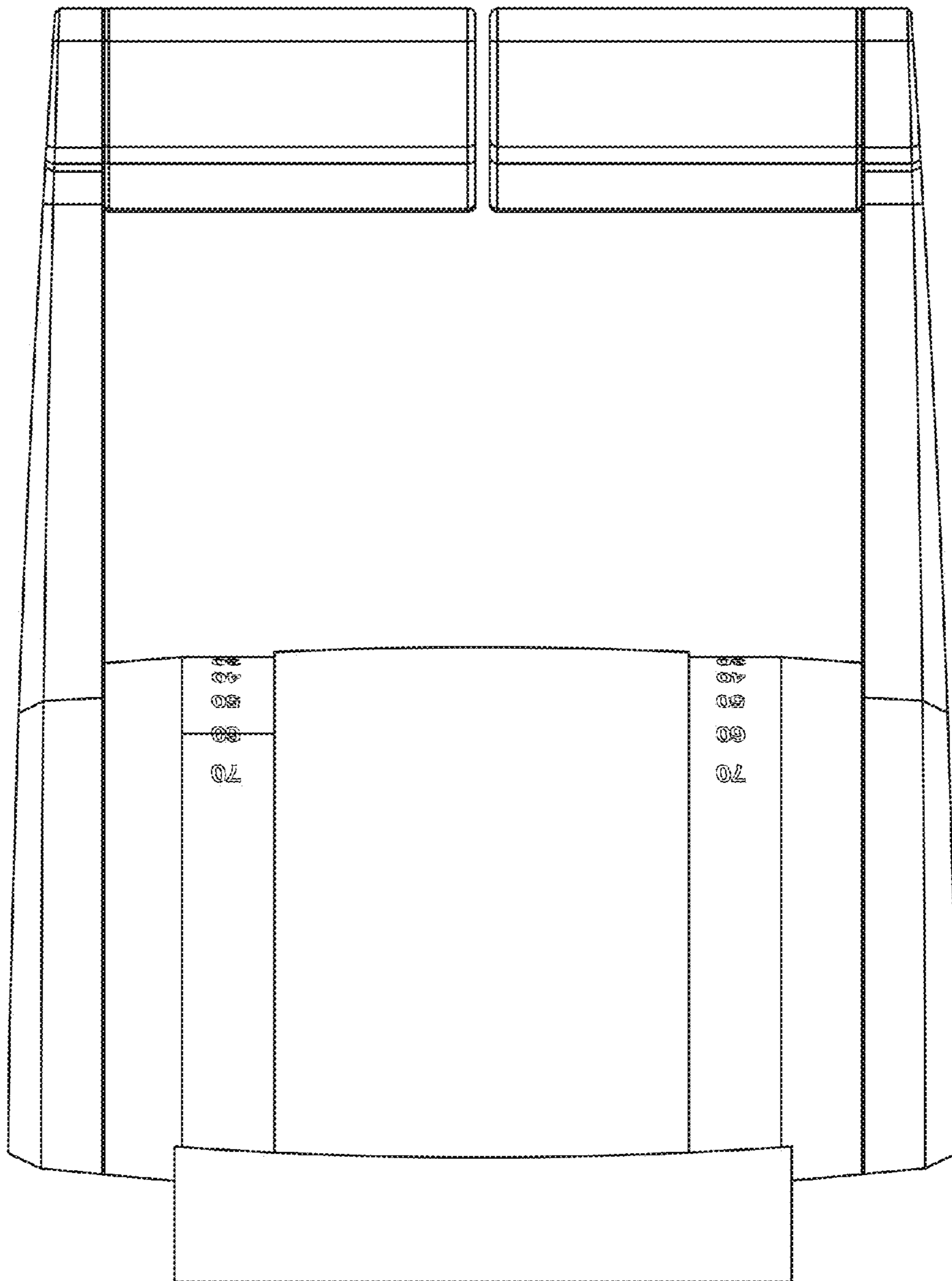


FIG. 2

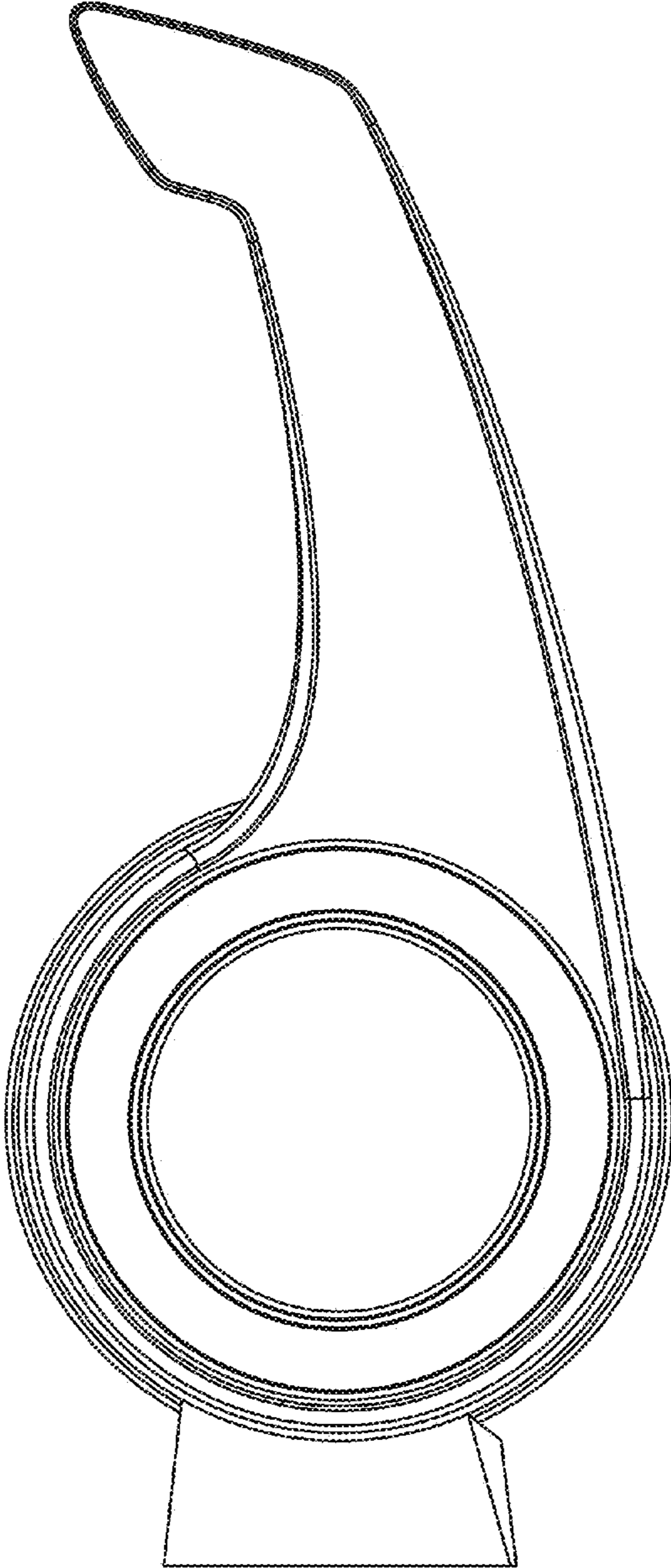


FIG. 3

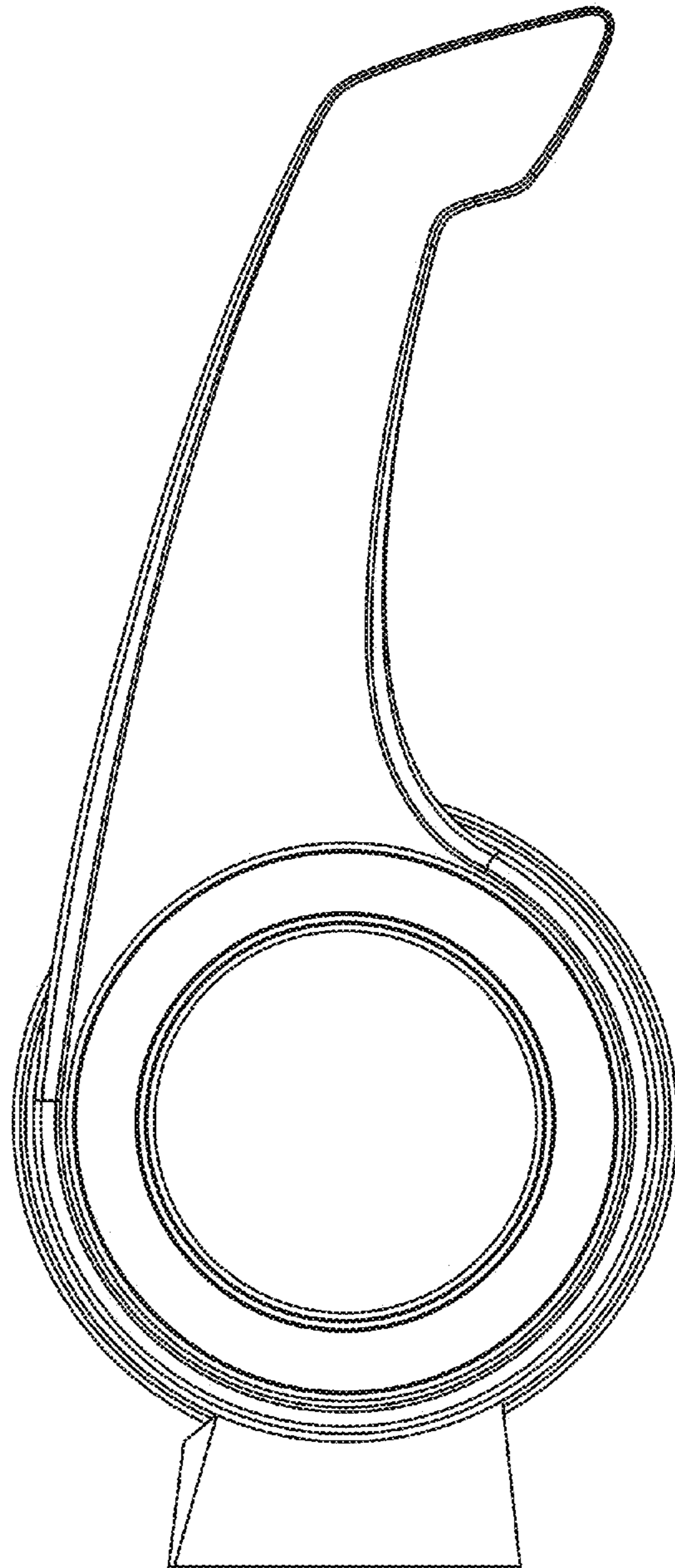


FIG. 4

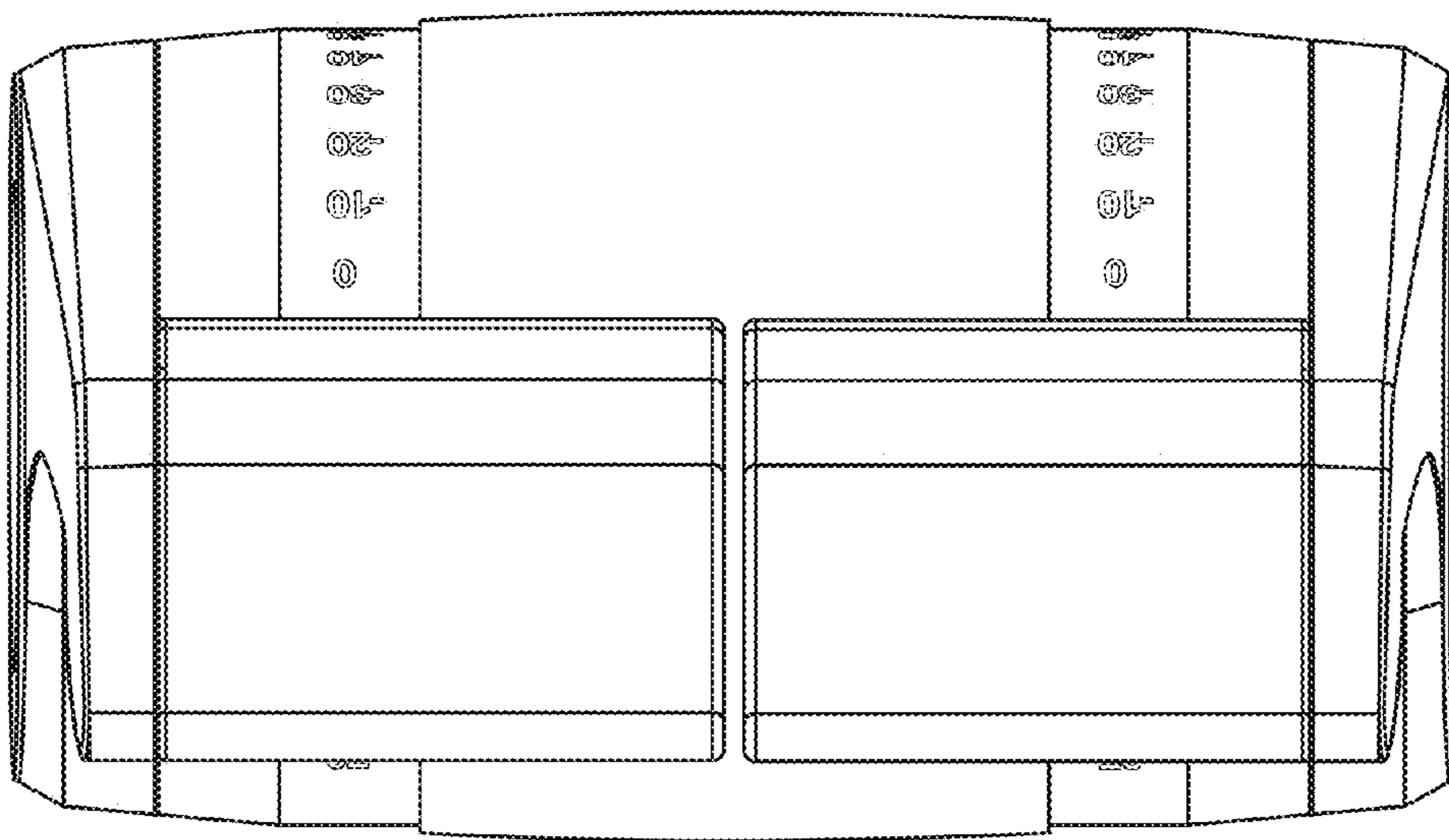


FIG. 5

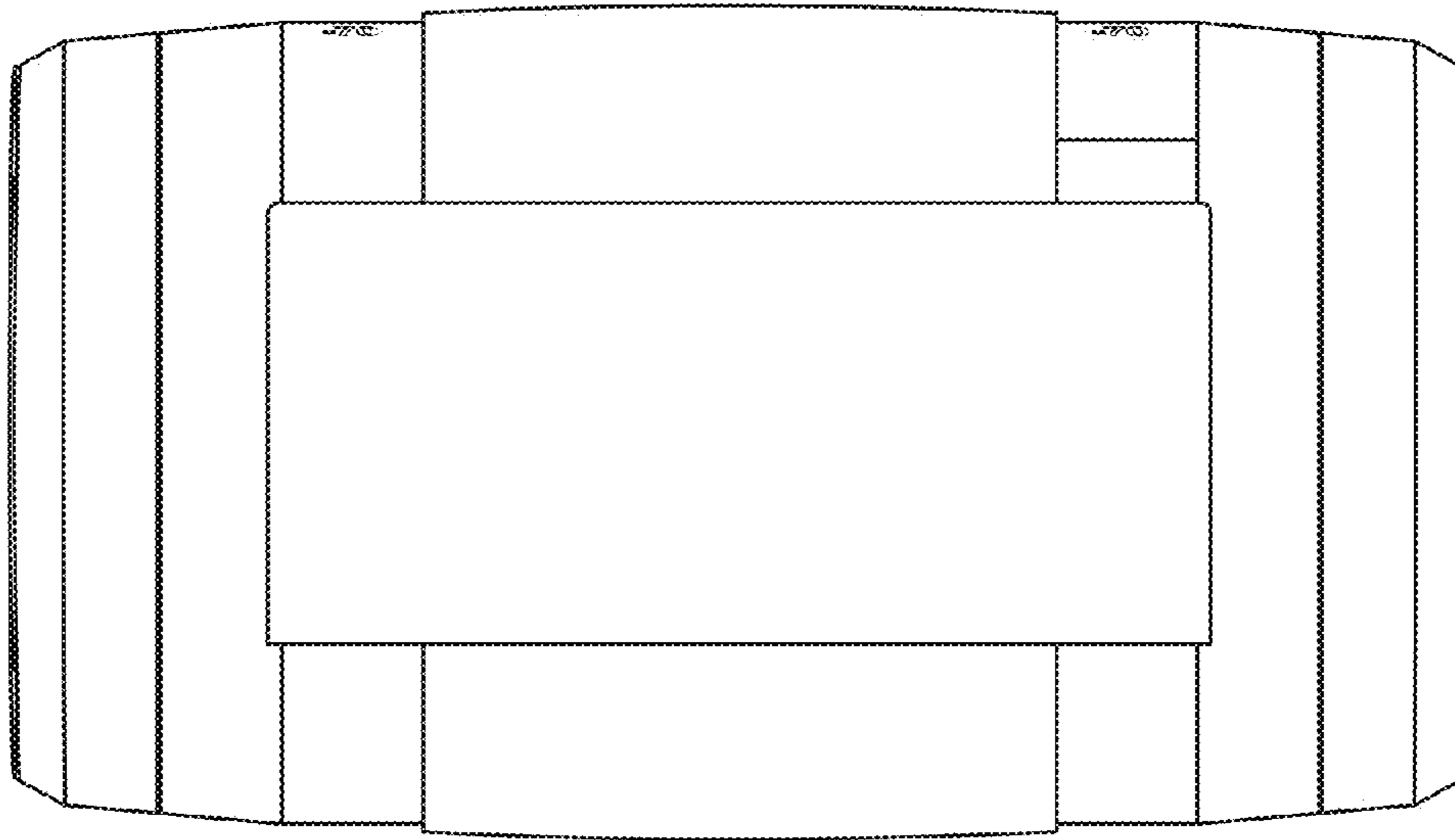


FIG. 6