



US00D754553S

(12) **United States Design Patent**
Shamir et al.

(10) **Patent No.:** **US D754,553 S**

(45) **Date of Patent:** **** Apr. 26, 2016**

(54) **SELF-POWERED POWER SENSOR PCB AND BOBBIN MOUNT THEREOF**

(71) Applicant: **Panoramic Power Ltd.**, Kfar Saba (IL)

(72) Inventors: **Adi Shamir**, Kidron (IL); **Dan Wijsboom**, Ganei Tikva (IL)

(73) Assignee: **Panoramic Power Ltd.**, Kfar Saba (IL)

(**) Term: **14 Years**

(21) Appl. No.: **29/464,875**

(22) Filed: **Aug. 21, 2013**

(51) **LOC (10) Cl.** **10-05**

(52) **U.S. Cl.**
USPC **D10/75**

(58) **Field of Classification Search**
USPC D10/104.1, 97, 70, 106.6, 75, 79
CPC H04R 5/0335; H04R 1/1008; G09B 5/04;
A61B 5/00

See application file for complete search history.

(56) **References Cited**

U.S. PATENT DOCUMENTS

D309,893 S	8/1990	Endo et al.	
D311,381 S	10/1990	Endo et al.	
D489,278 S	5/2004	Rittmann	
D494,078 S *	8/2004	Vuillermoz	D10/75
D496,872 S	10/2004	Edmond	
D505,870 S *	6/2005	Vuillermoz	D10/75
D506,153 S *	6/2005	Morel	D10/78
D510,881 S *	10/2005	Morel	D10/78
D511,112 S	11/2005	Takada	
7,253,602 B2	8/2007	Shvach et al.	
7,453,267 B2	11/2008	Westbrock, Jr. et al.	
D600,576 S	9/2009	Marcoz	
D607,763 S	1/2010	Morel	
D656,426 S *	3/2012	Marcoz	D10/75
D656,850 S	4/2012	Marcoz	
8,212,549 B2	7/2012	McNulty et al.	
8,928,308 B2	1/2015	Mitsuya	
2007/0136010 A1	6/2007	Gunn et al.	

* cited by examiner

Primary Examiner — George D Kirschbaum

(74) *Attorney, Agent, or Firm* — Blakely Sokoloff Taylor & Zafman LLP

(57) **CLAIM**

We claim the ornamental design for a self-powered power sensor PCB and bobbin mount thereof, as shown and described.

DESCRIPTION

FIG. 1 is a right side isometric top view of one embodiment of a self-powered sensor assembly, comprising a print circuit board (PCB), an antenna, a core, a winding and a bobbin mount, showing our new design.

FIG. 2 is a right side isometric bottom view thereof.

FIG. 3 is a rear side isometric top view thereof.

FIG. 4 is a rear side elevation view thereof.

FIG. 5 is a front side elevation view thereof.

FIG. 6 is a right side elevation view thereof.

FIG. 7 is a left side elevation view thereof.

FIG. 8 is a bottom side elevation view thereof.

FIG. 9 is a top side elevation view thereof.

FIG. 10 is a right side isometric top view of a bobbin mount respective of the embodiment of FIGS. 1 through 9.

FIG. 11 is a right side isometric bottom view thereof.

FIG. 12 is a bottom side elevation view thereof.

FIG. 13 is a top side elevation view thereof.

FIG. 14 is a right side elevation view thereof.

FIG. 15 is a left side elevation view thereof.

FIG. 16 is a rear side elevation view thereof.

FIG. 17 is a front side elevation view thereof.

FIG. 18 is a front side isometric top view of a part of the bobbin mount respective of the embodiment of FIGS. 10 through 17.

FIG. 19 is a front side isometric bottom view thereof.

FIG. 20 is a left side elevation view thereof.

FIG. 21 is a right side elevation view thereof.

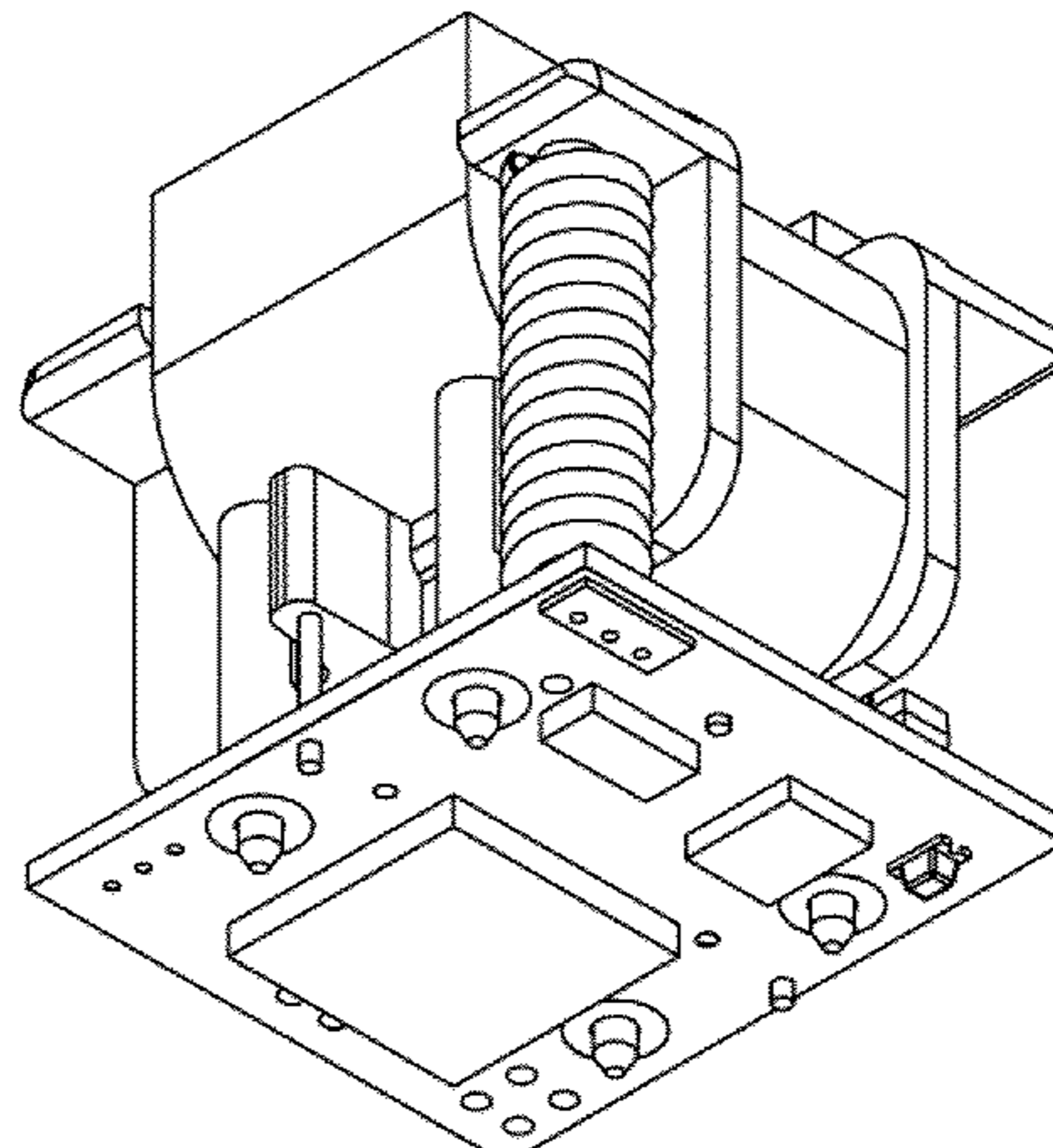
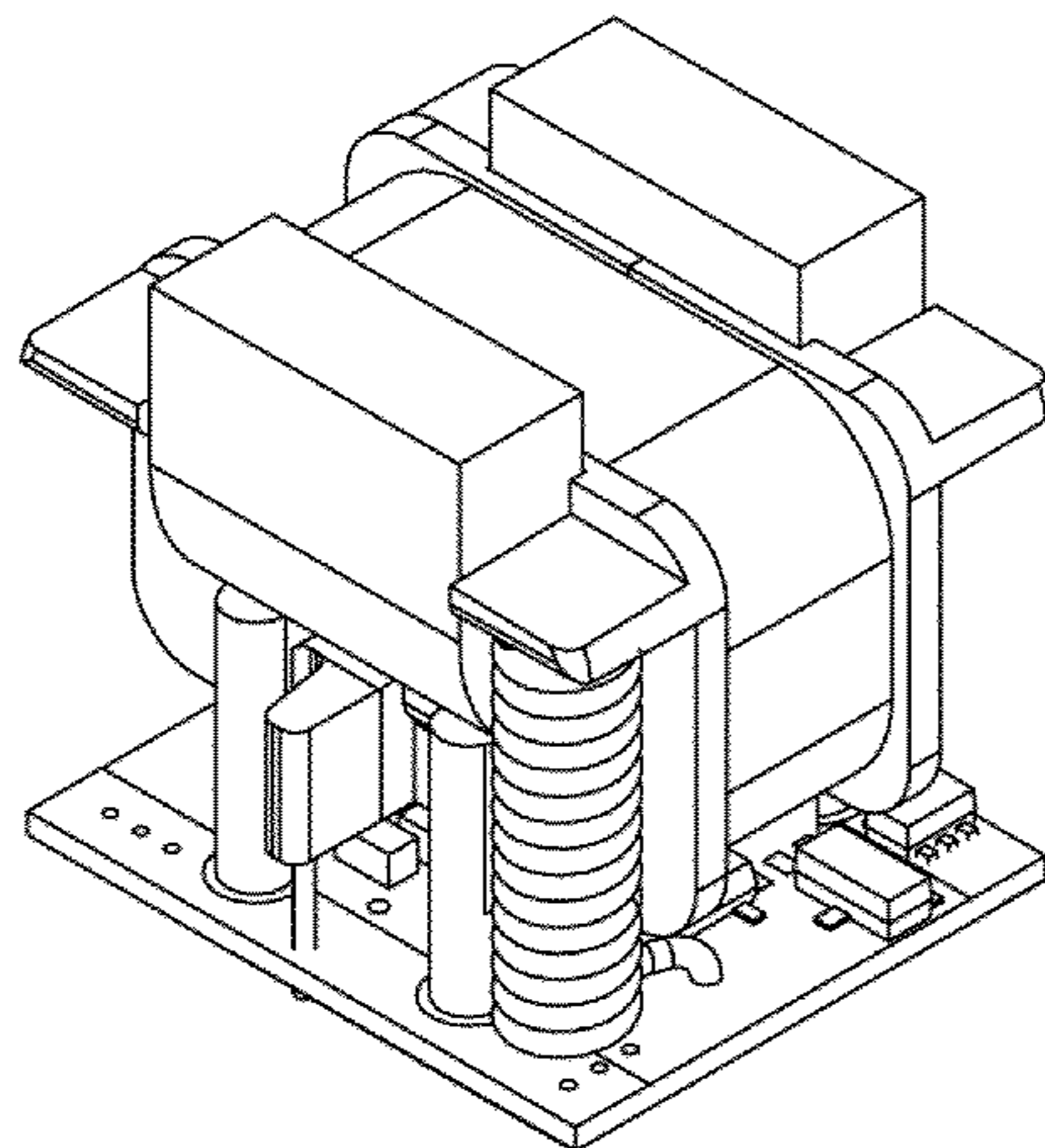
FIG. 22 is a rear side elevation view thereof.

FIG. 23 is a front side elevation view thereof.

FIG. 24 is a bottom side elevation view thereof; and,

FIG. 25 is a top side elevation view thereof.

1 Claim, 13 Drawing Sheets



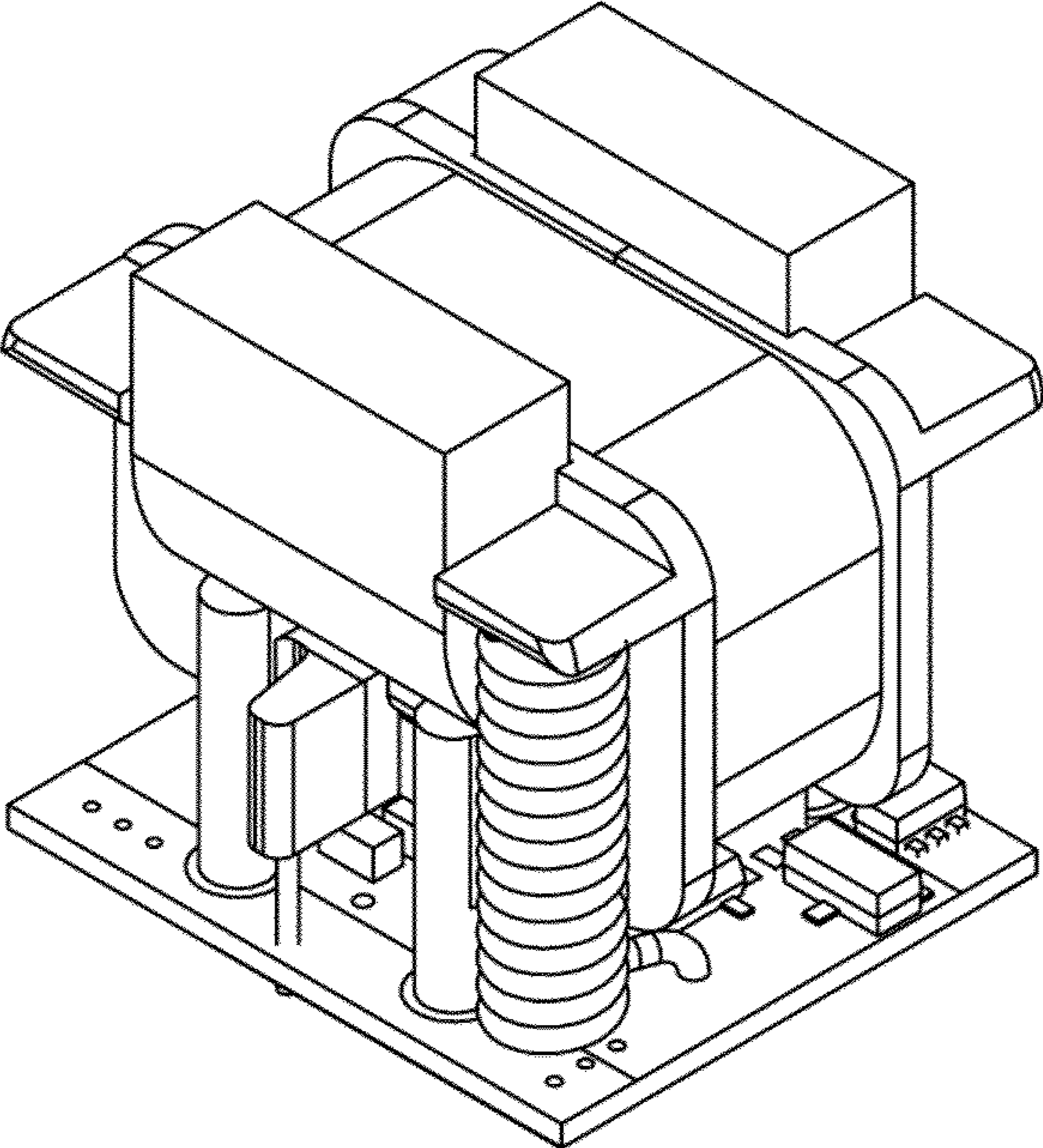


FIGURE 1

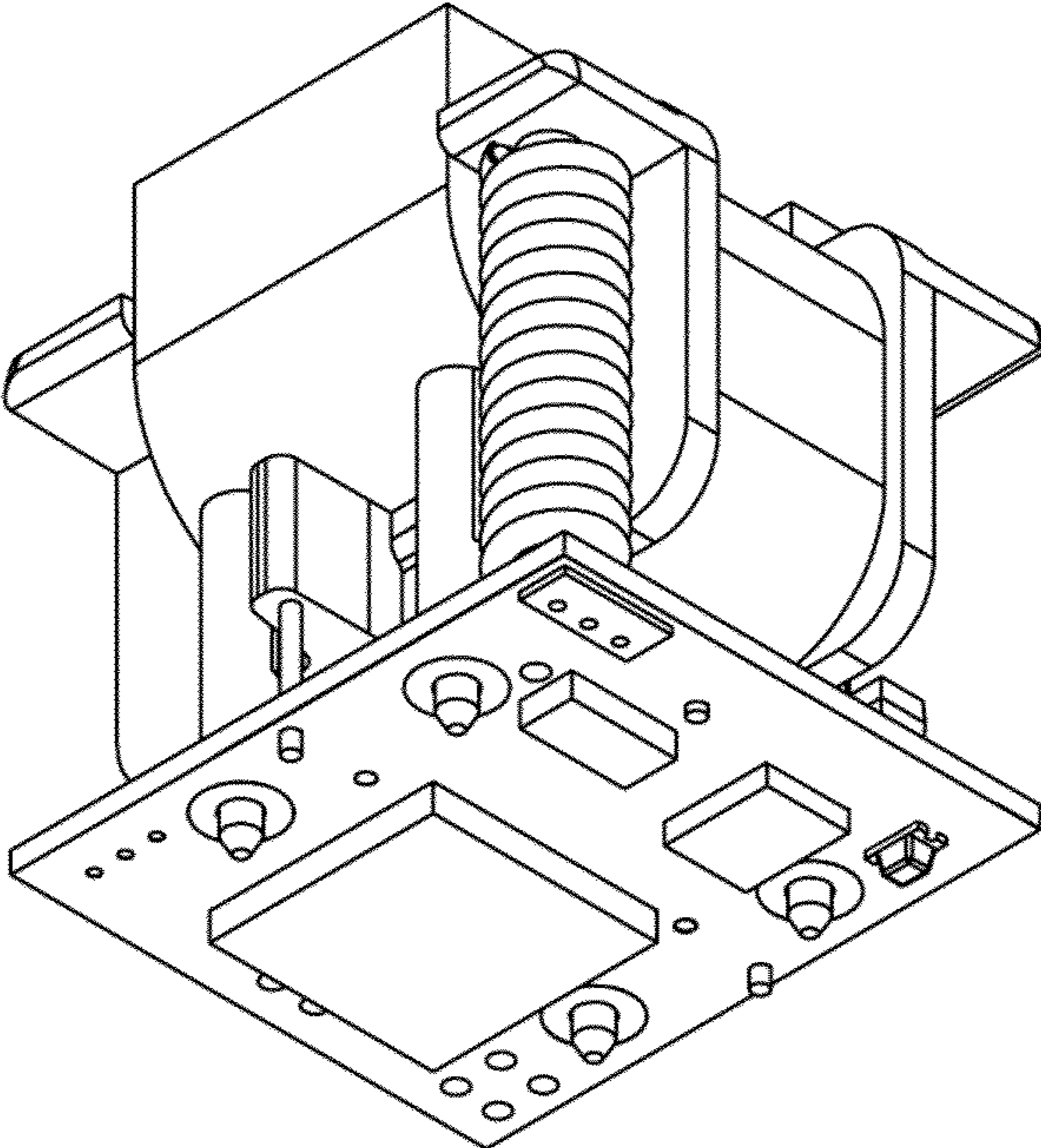


FIGURE 2

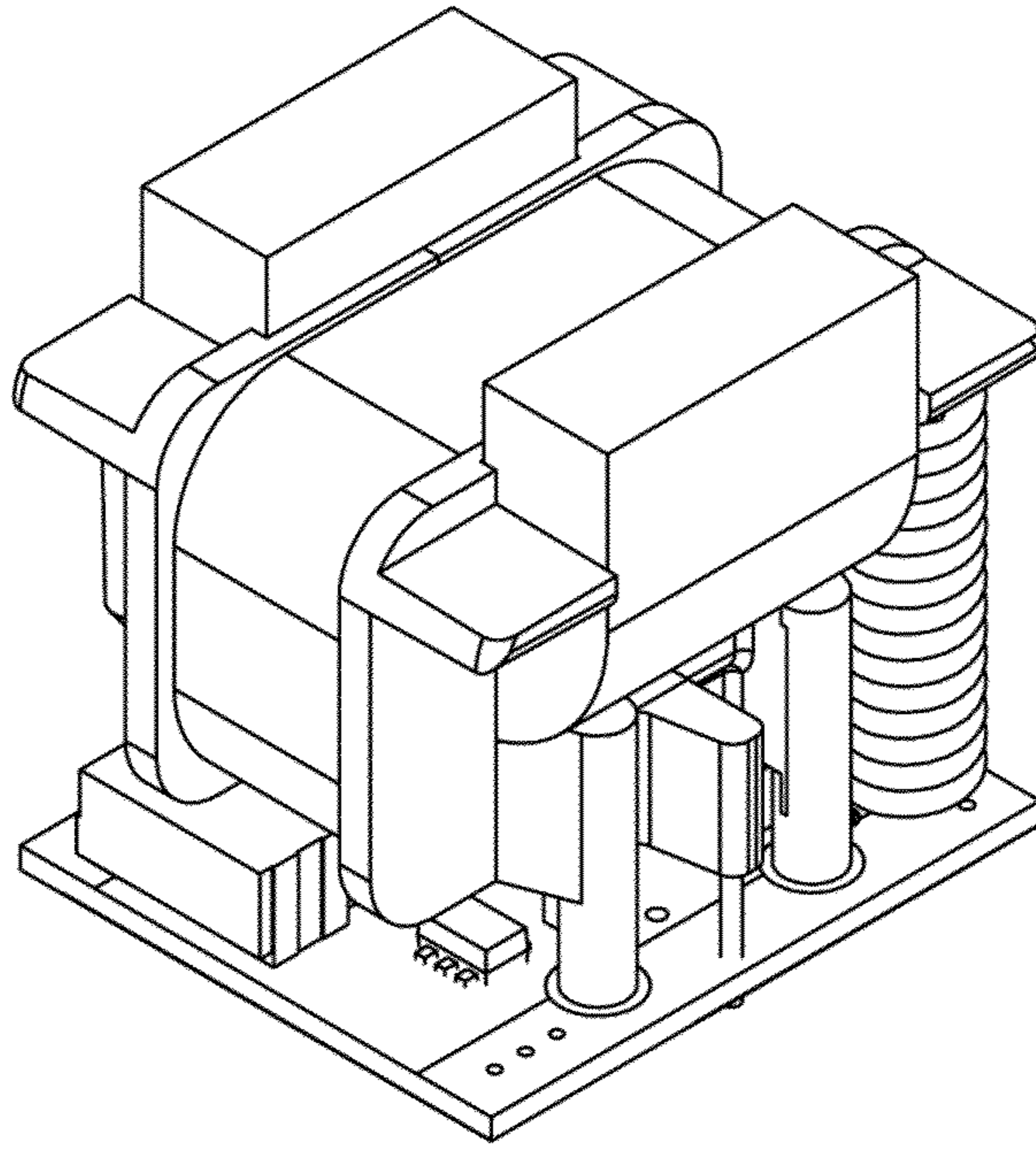


FIGURE 3

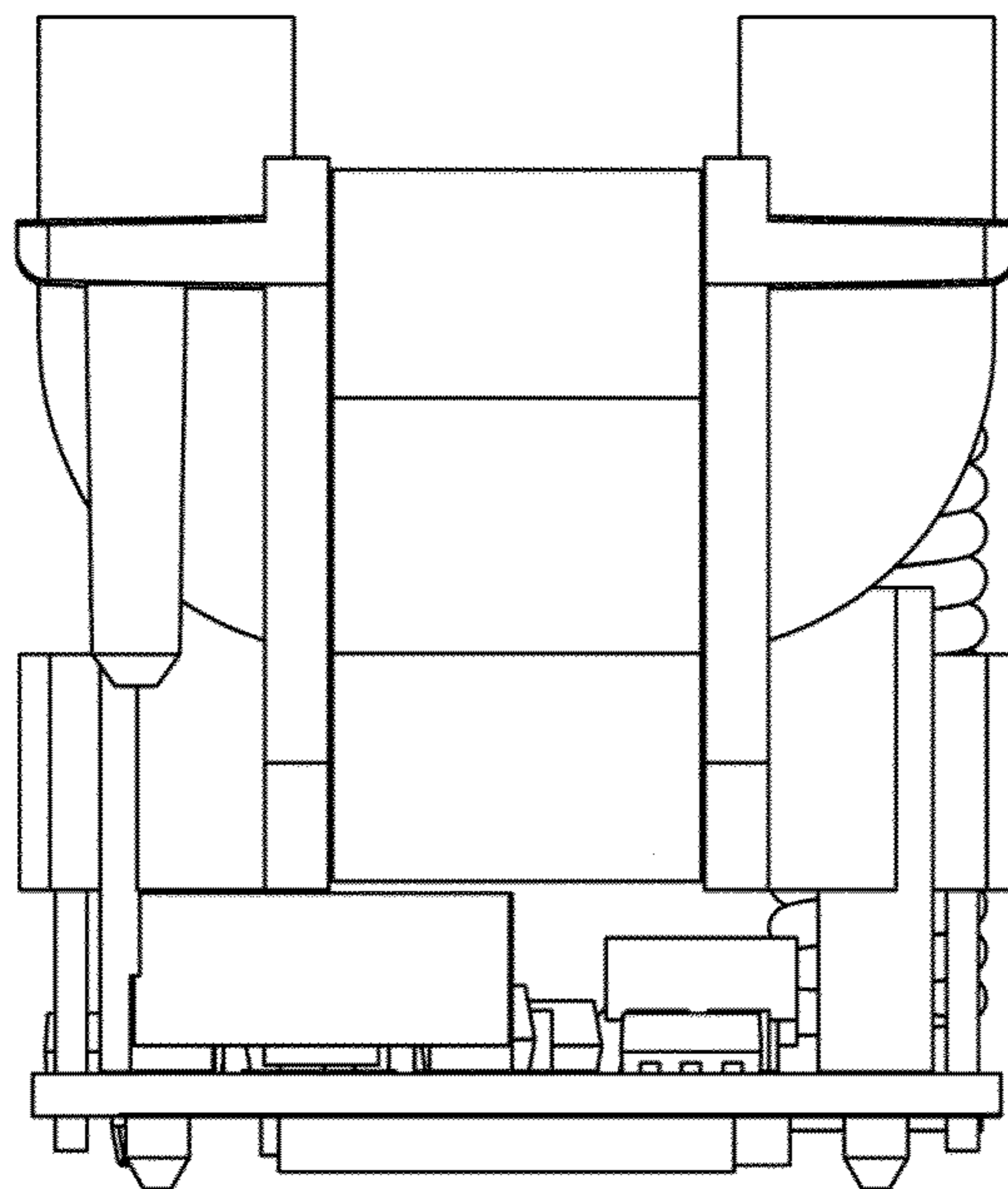


FIGURE 4

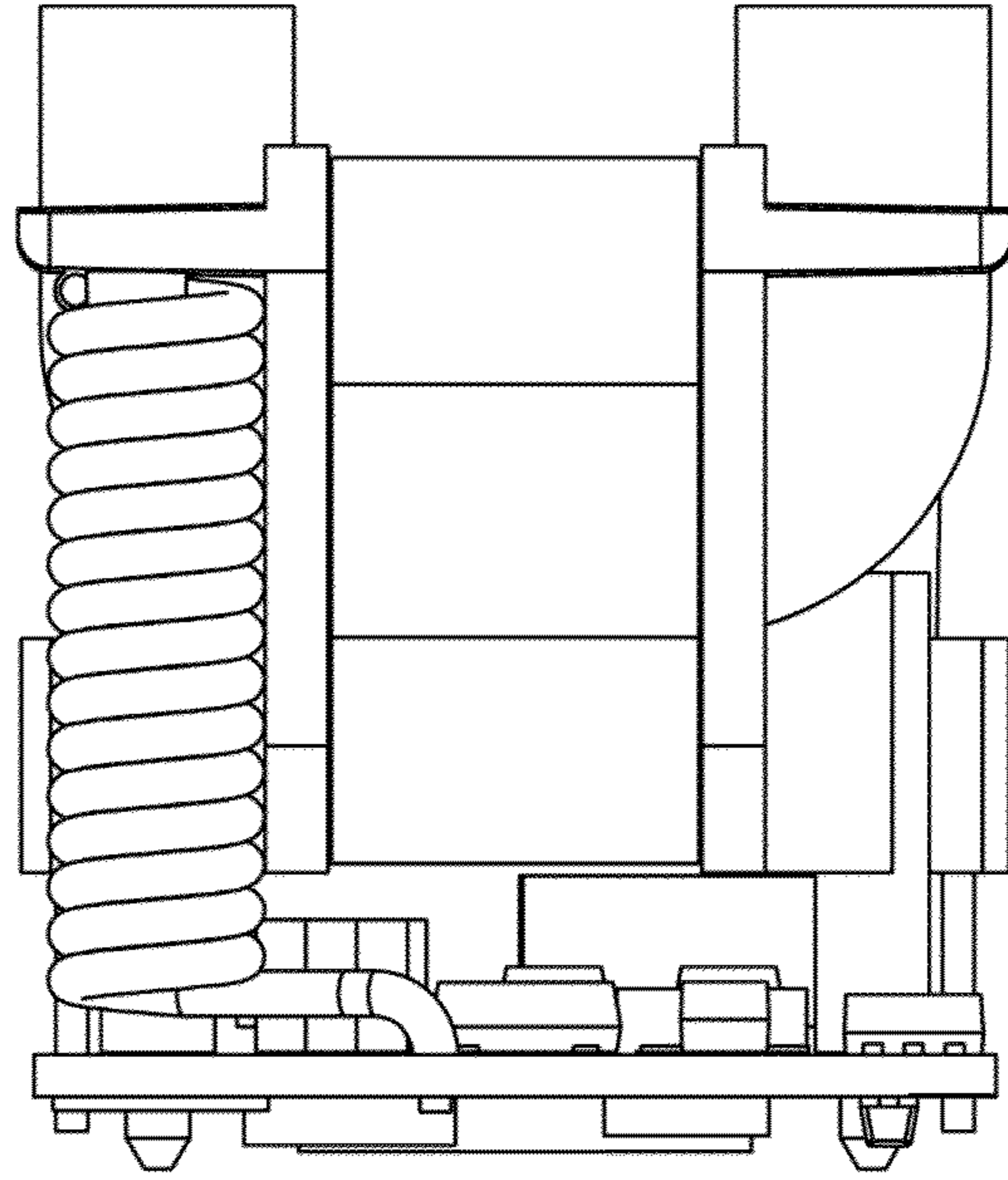


FIGURE 5

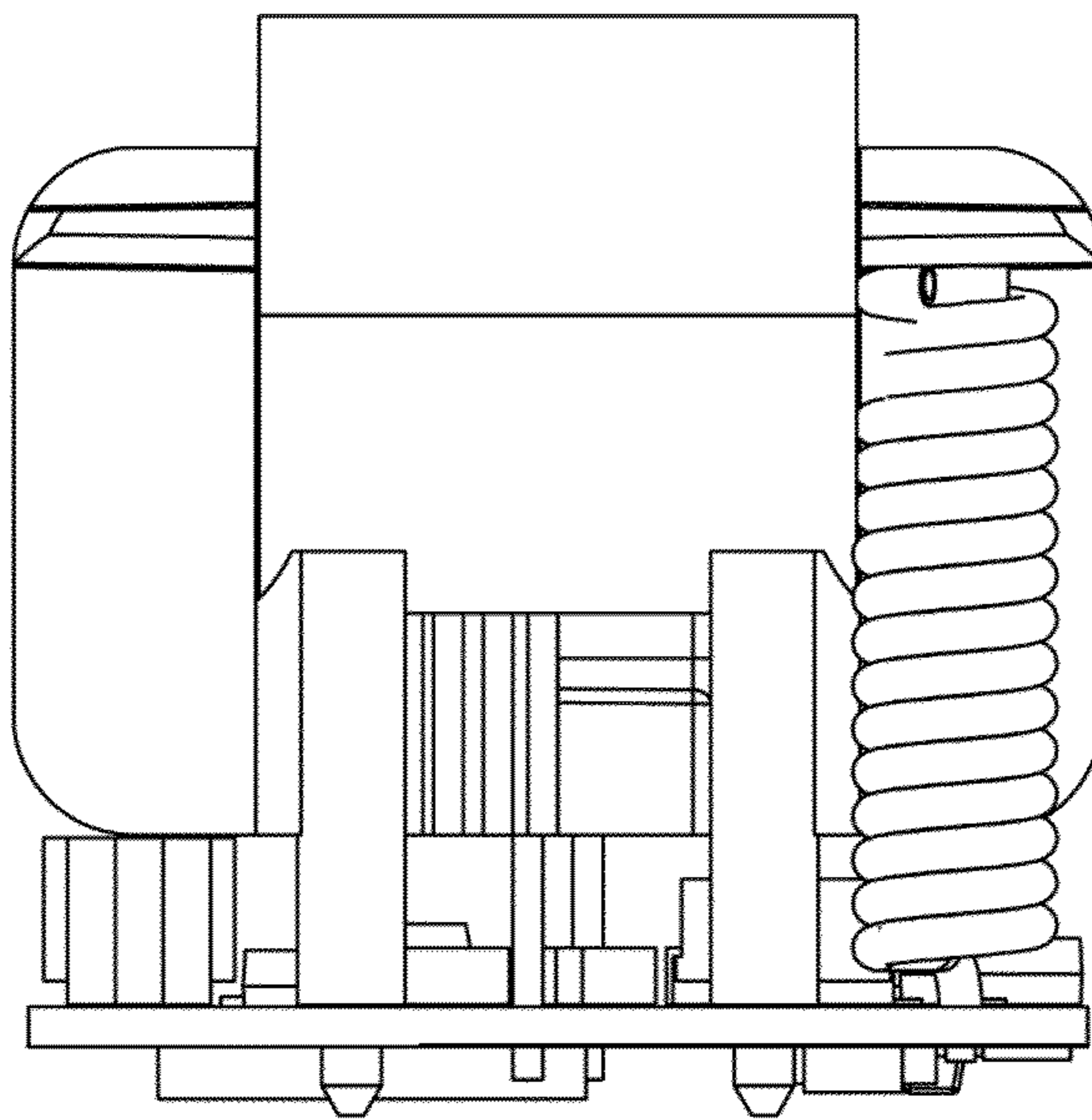


FIGURE 6

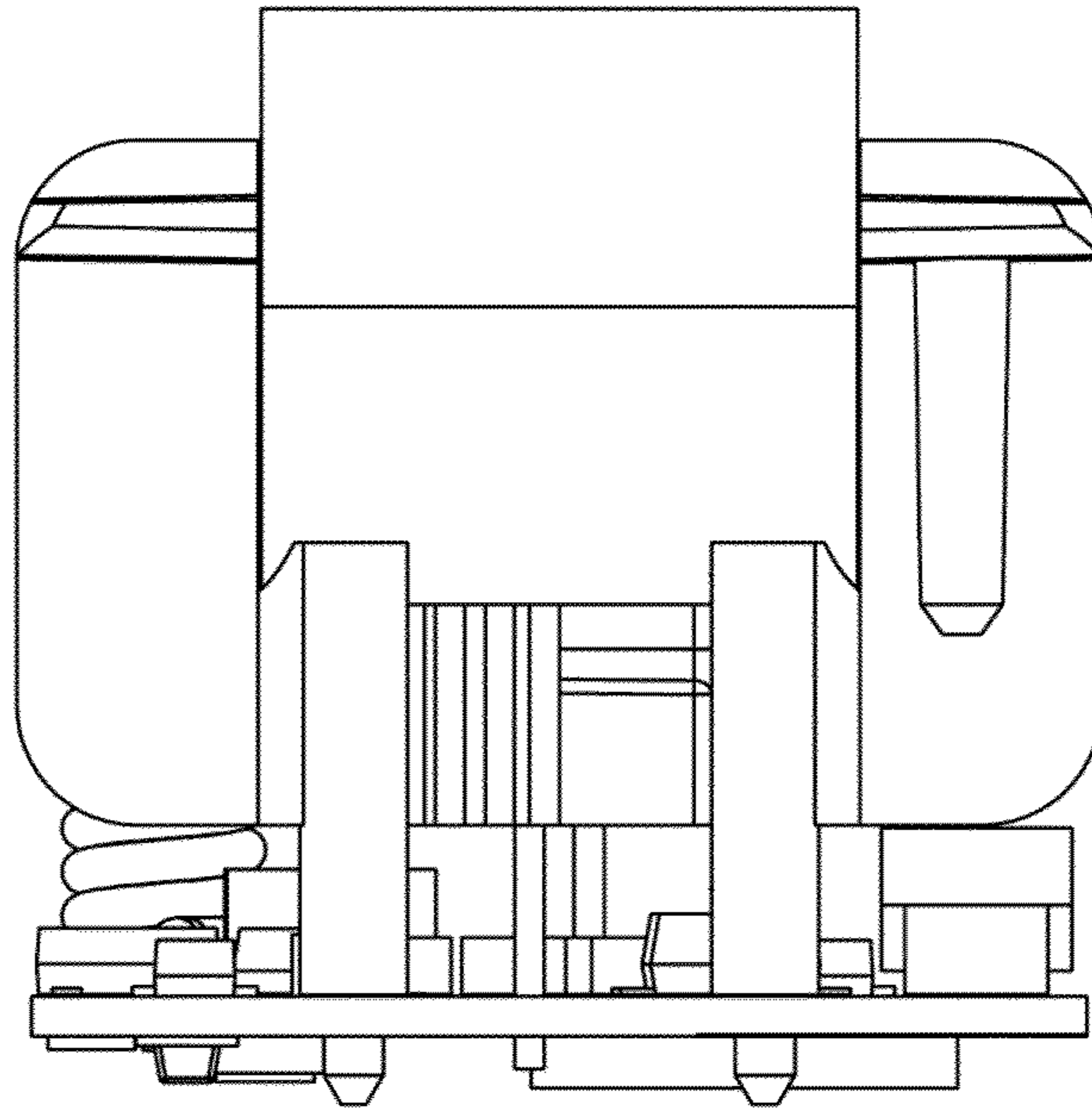


FIGURE 7

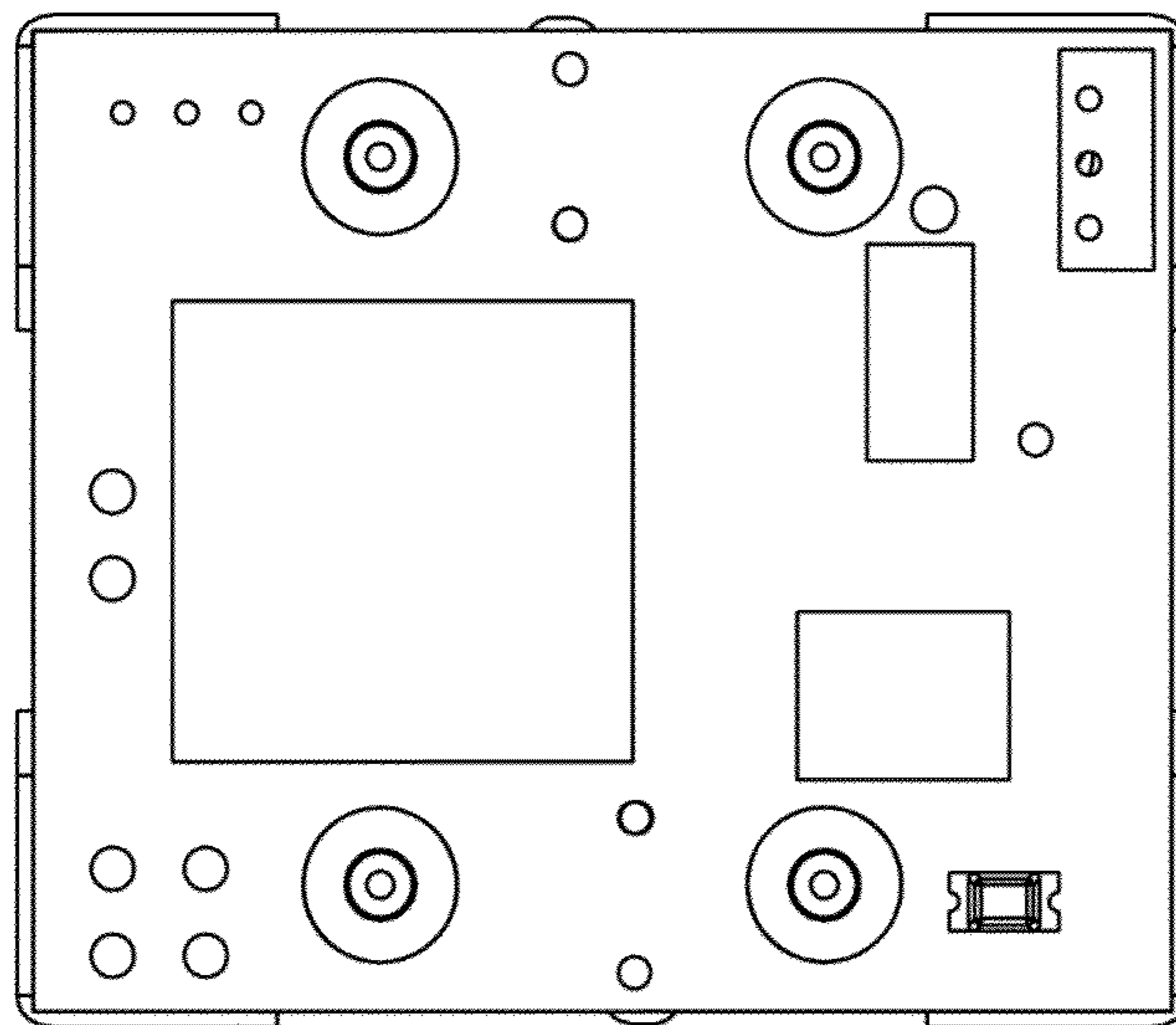


FIGURE 8

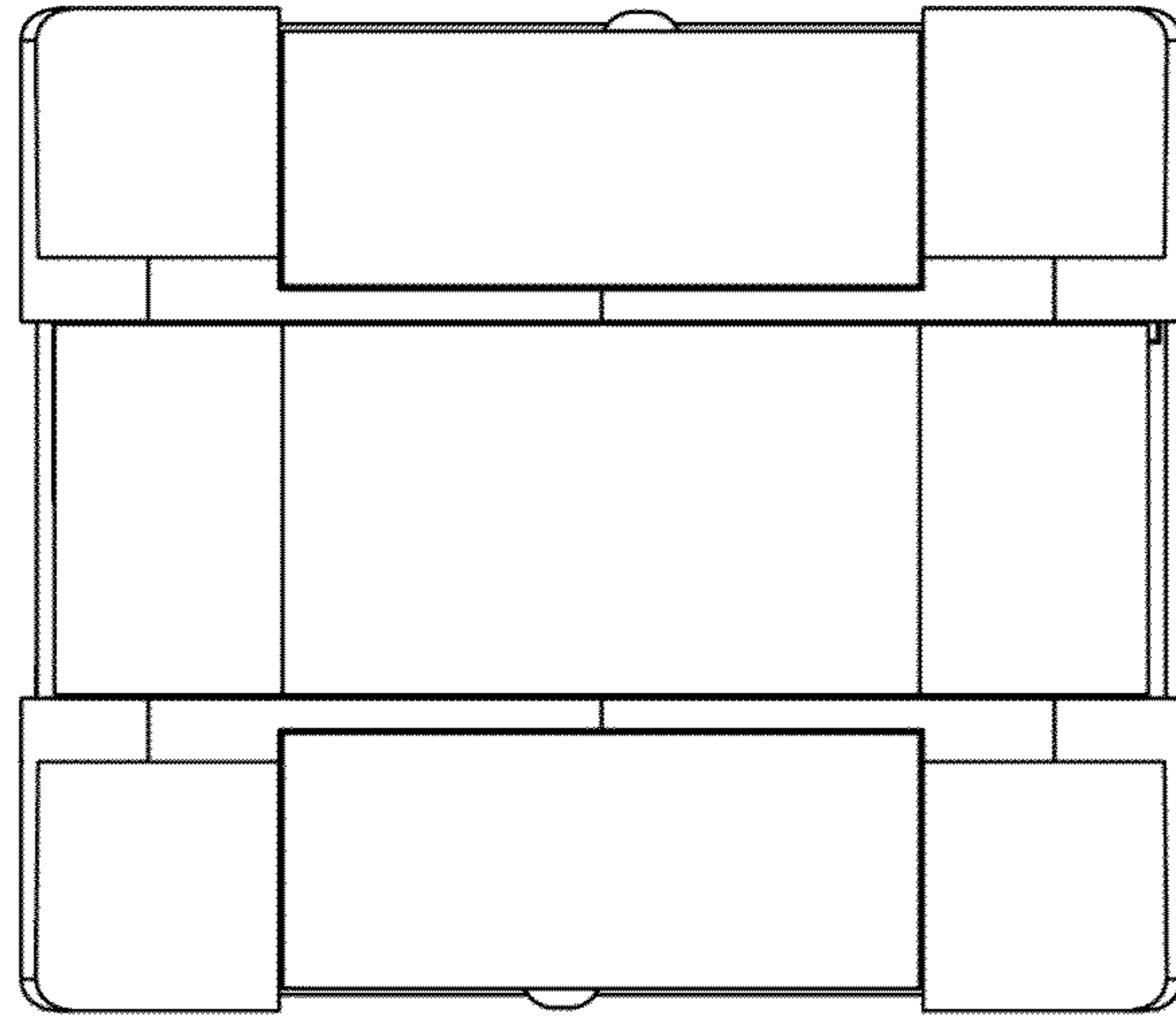


FIGURE 9

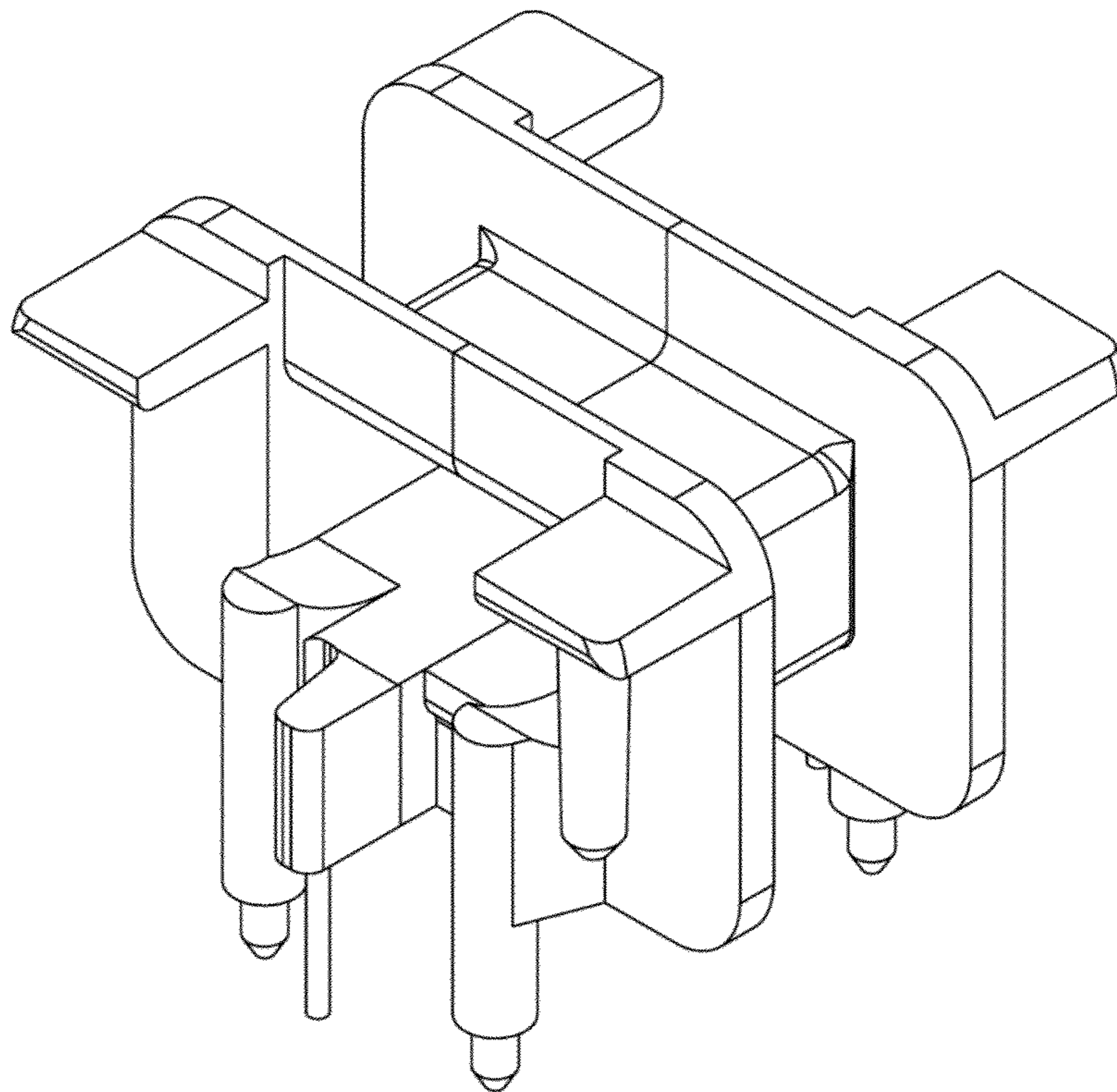


FIGURE 10

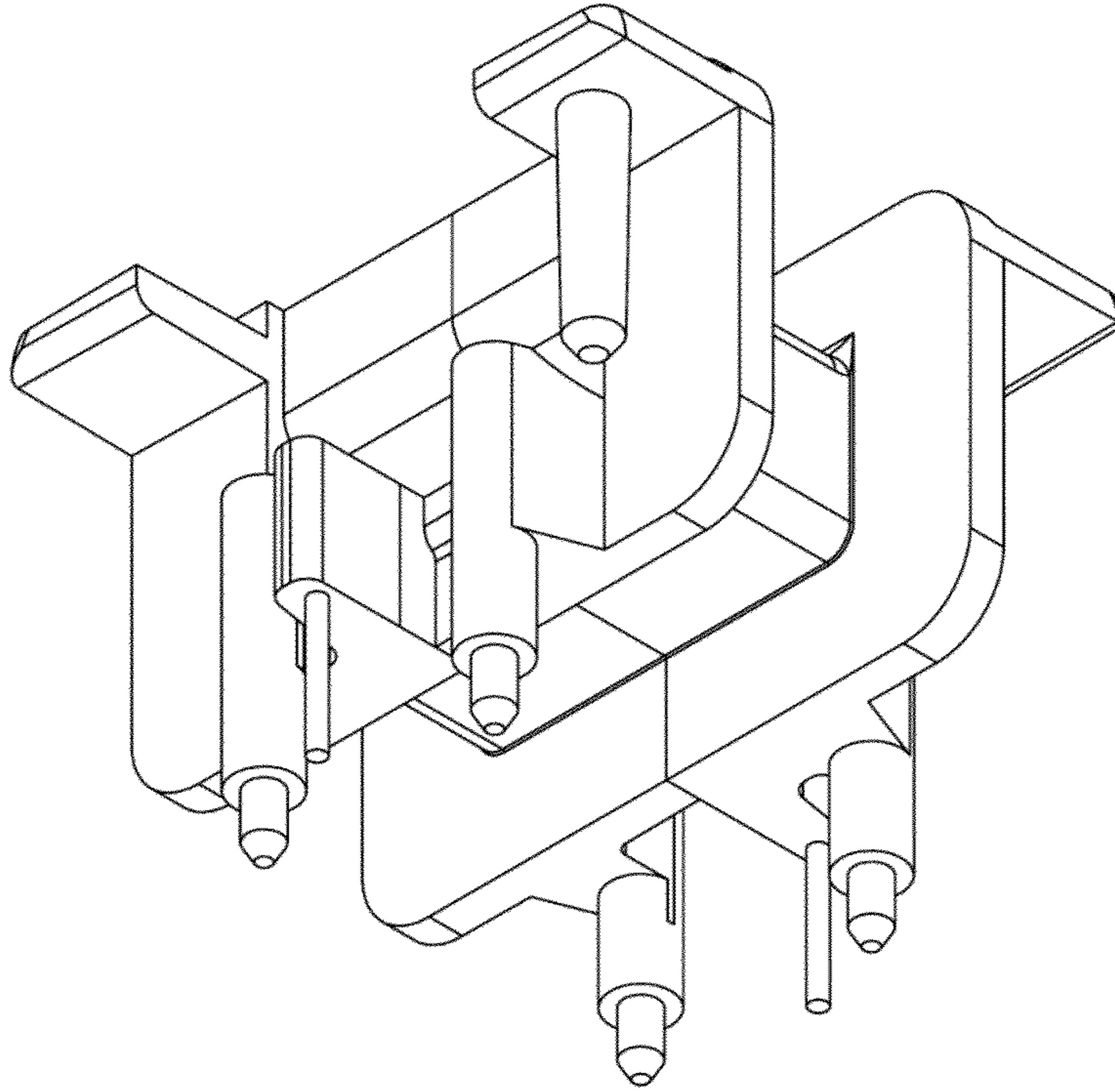


FIGURE 11

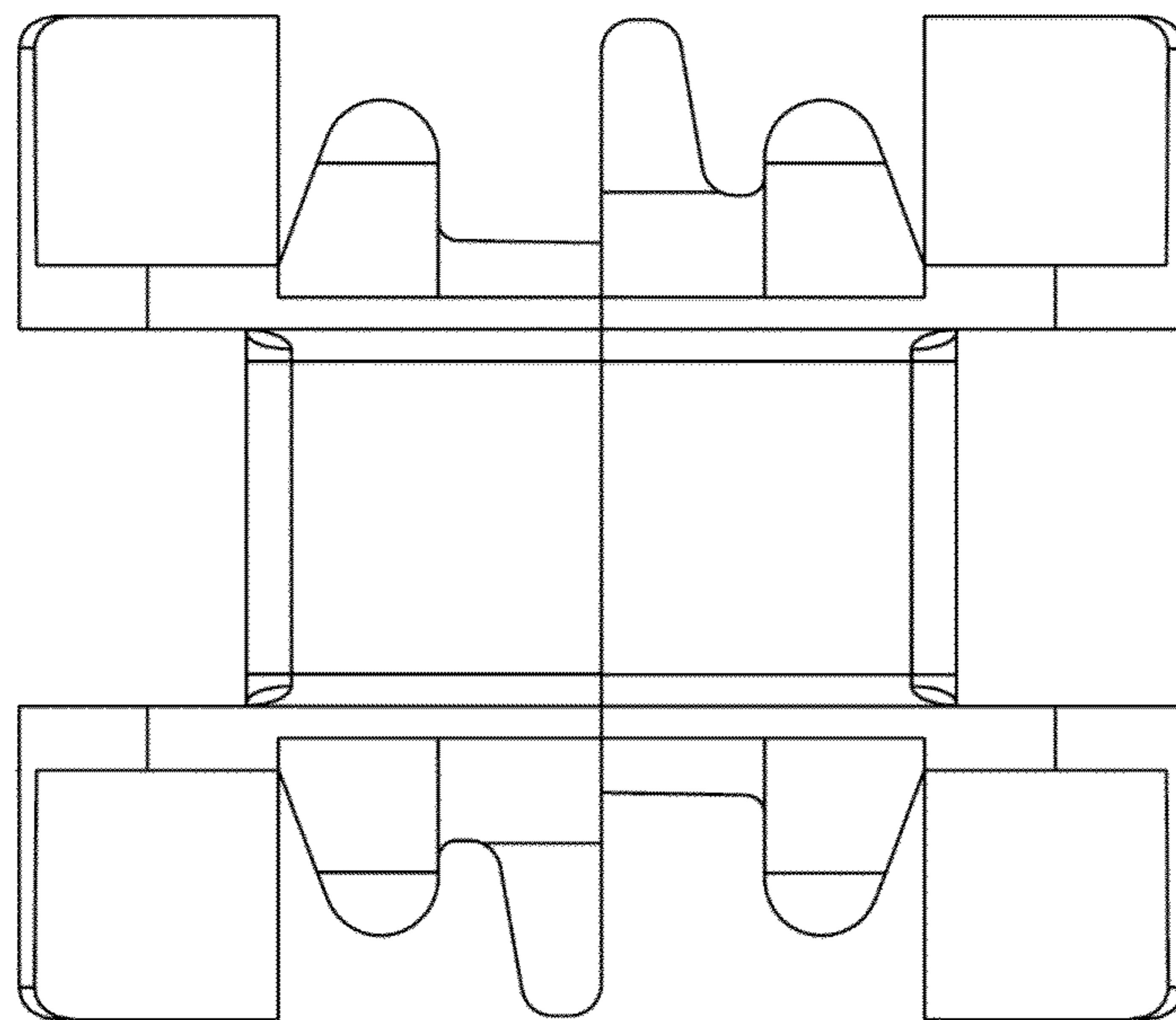


FIGURE 12

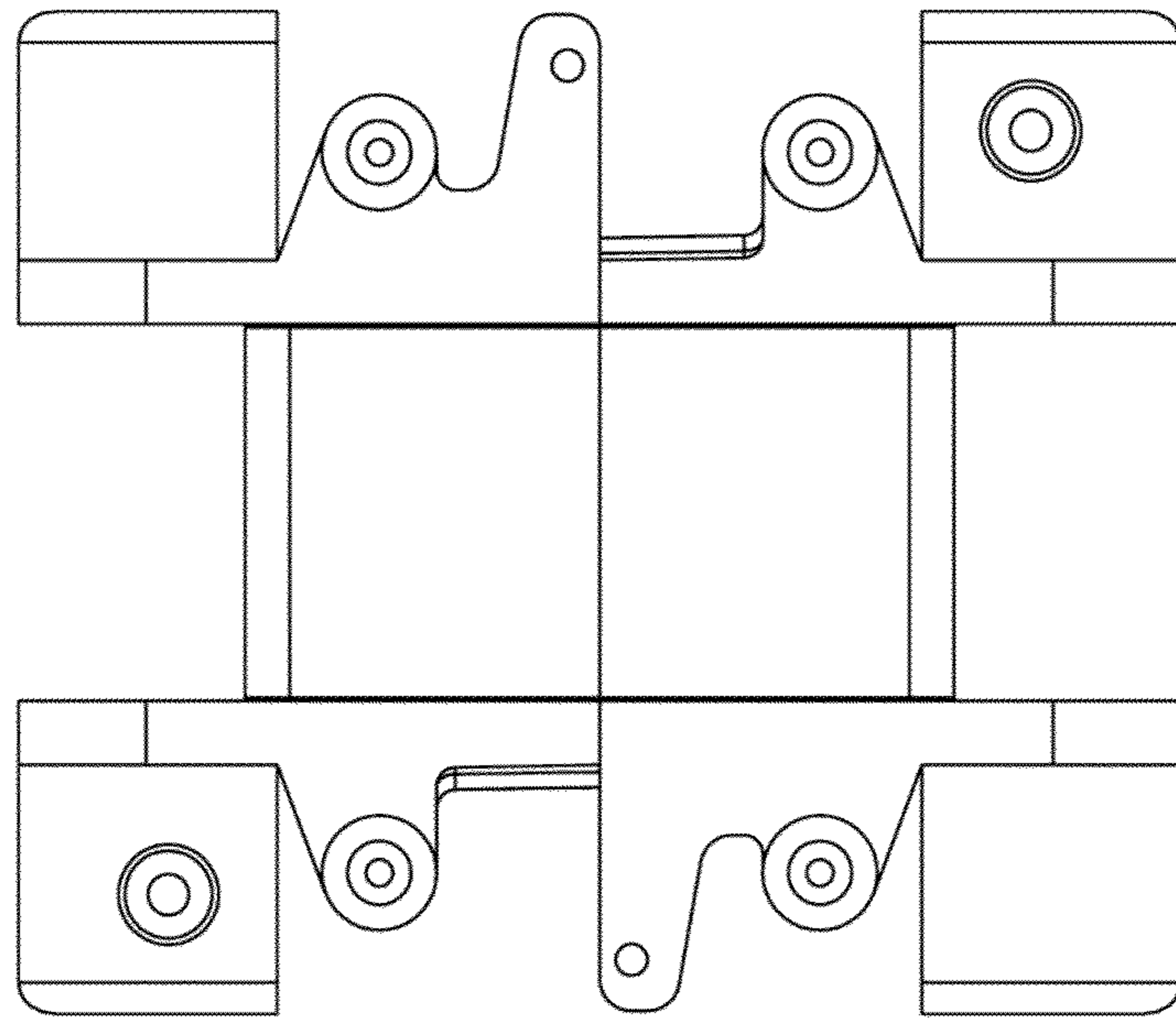


FIGURE 13

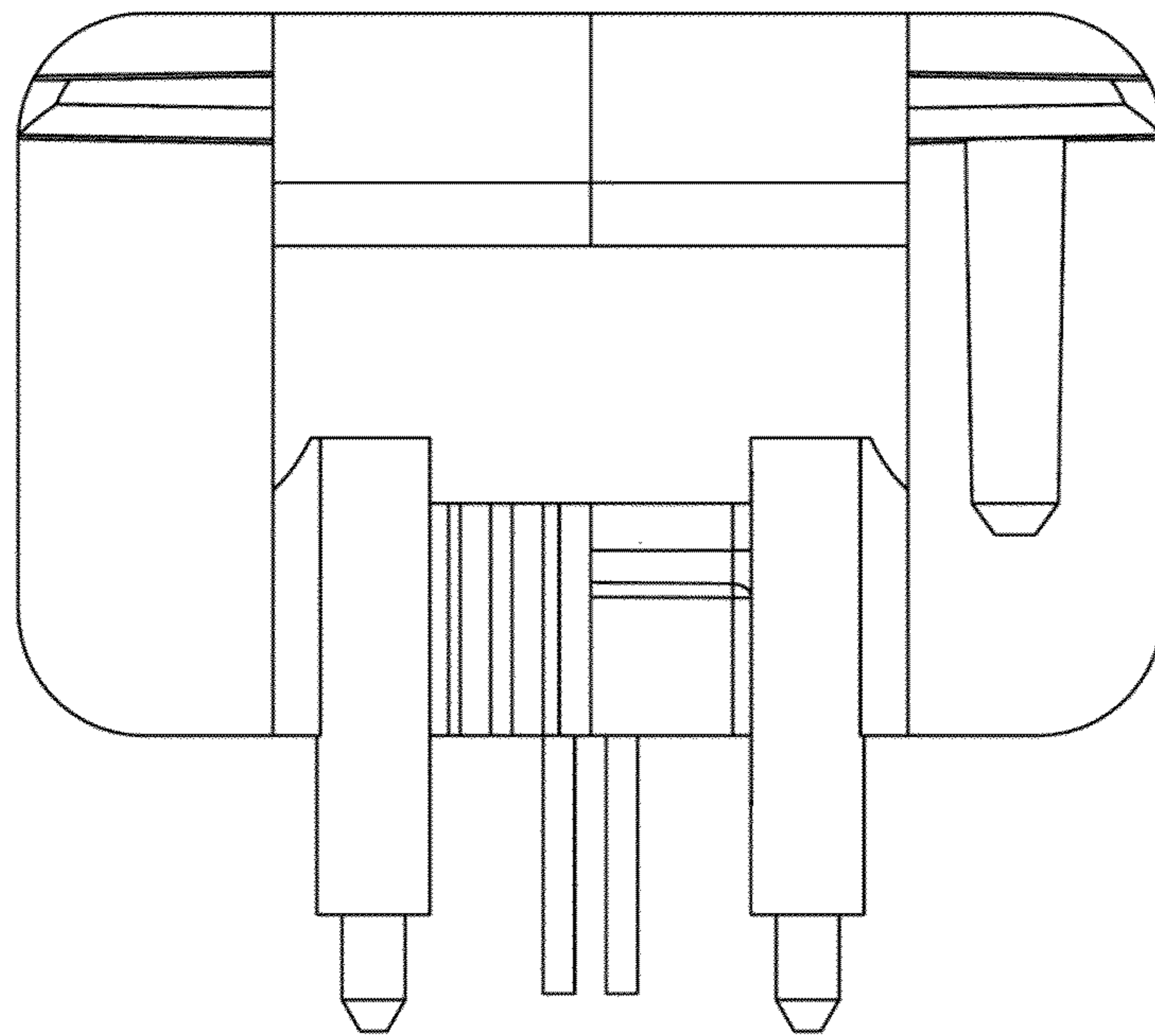


FIGURE 14

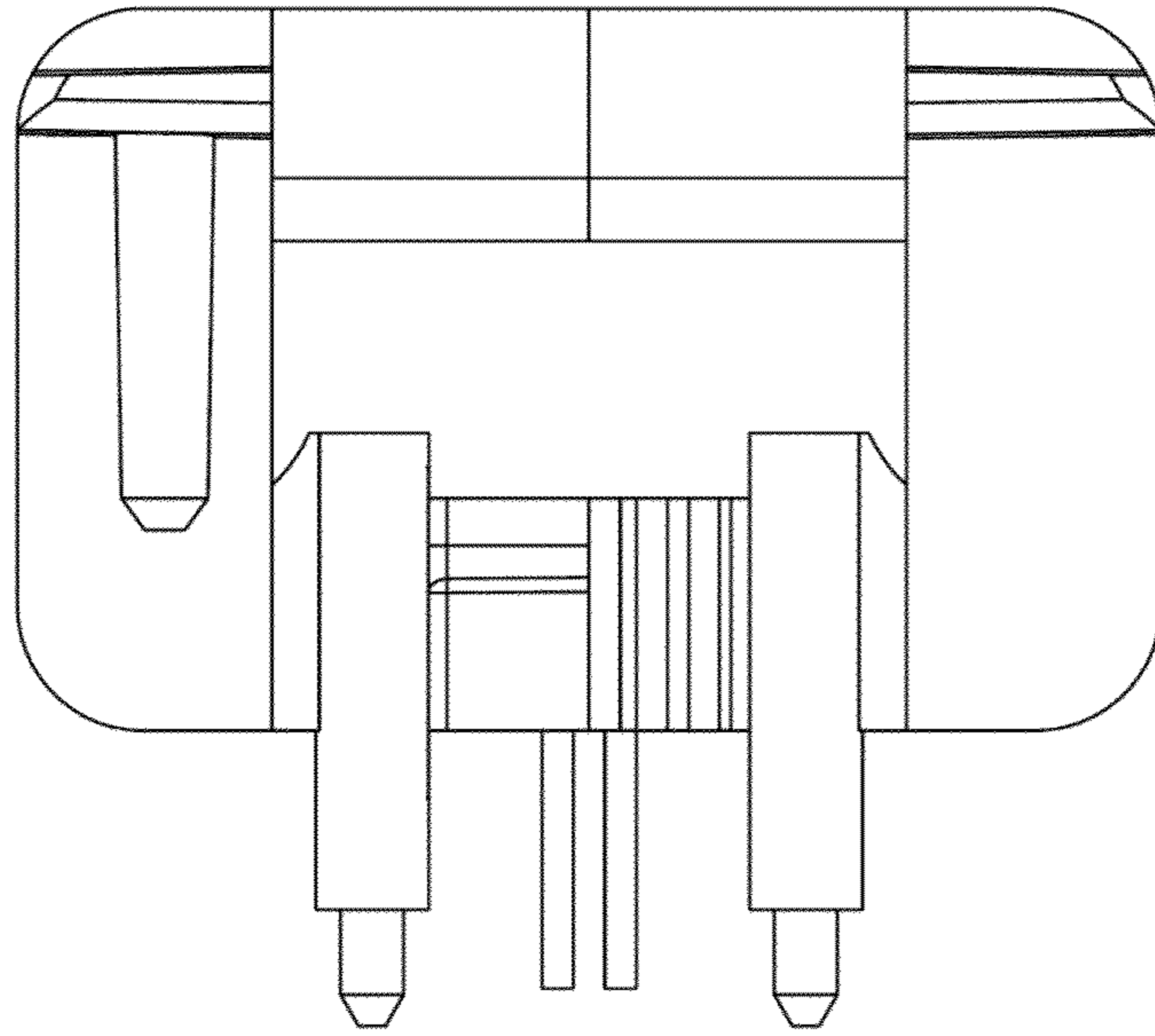


FIGURE 15

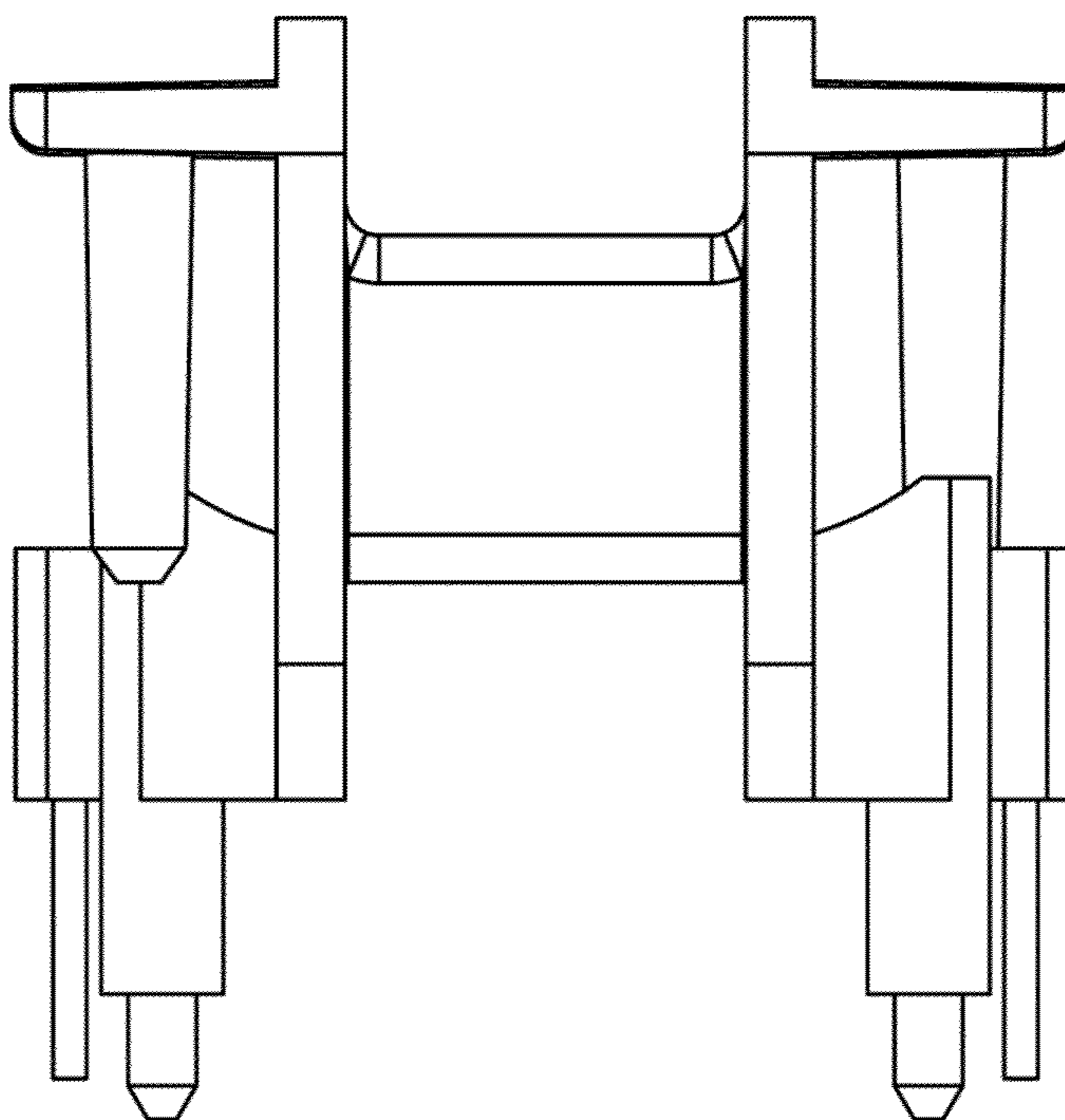


FIGURE 16

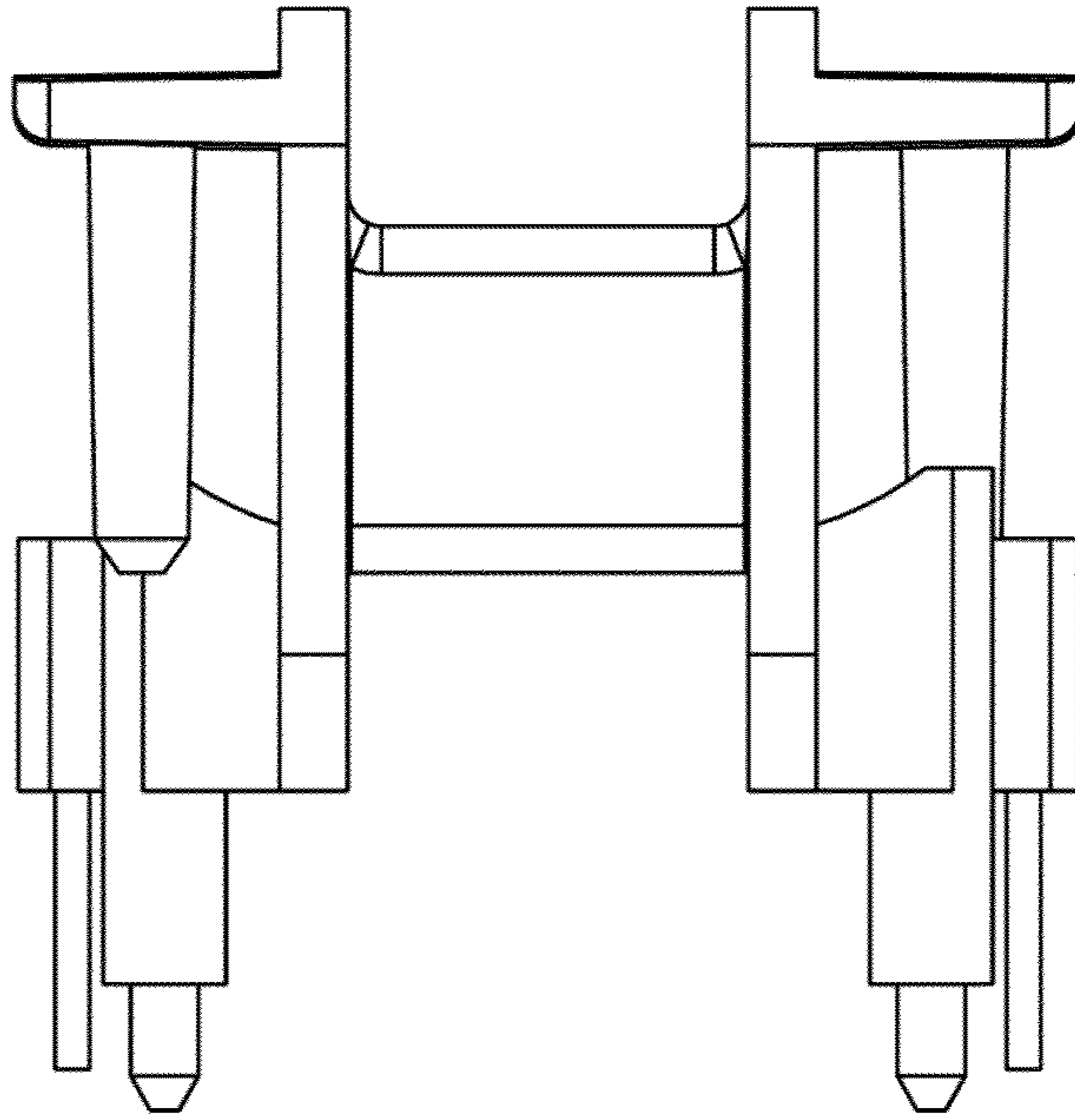


FIGURE 17

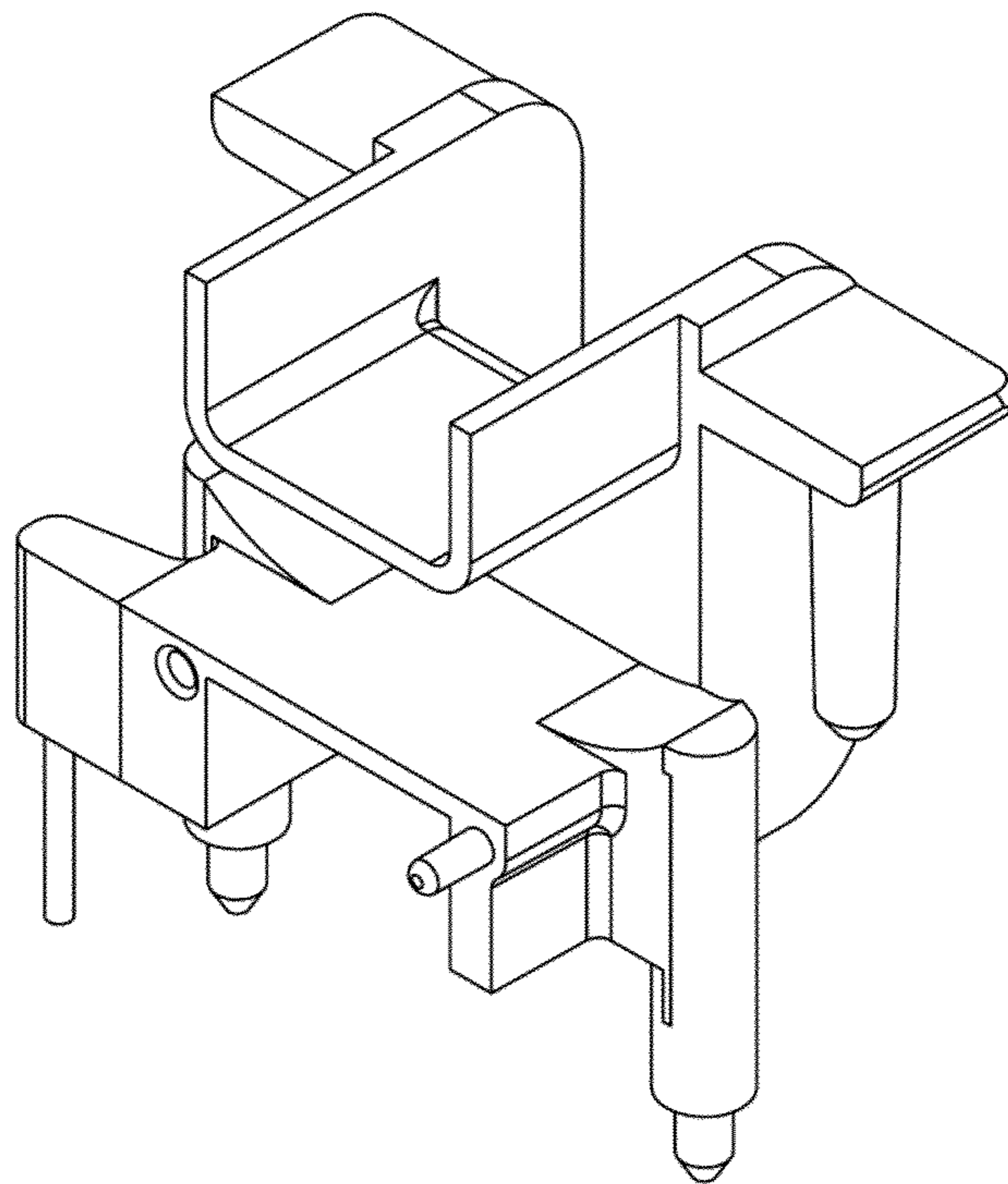


FIGURE 18

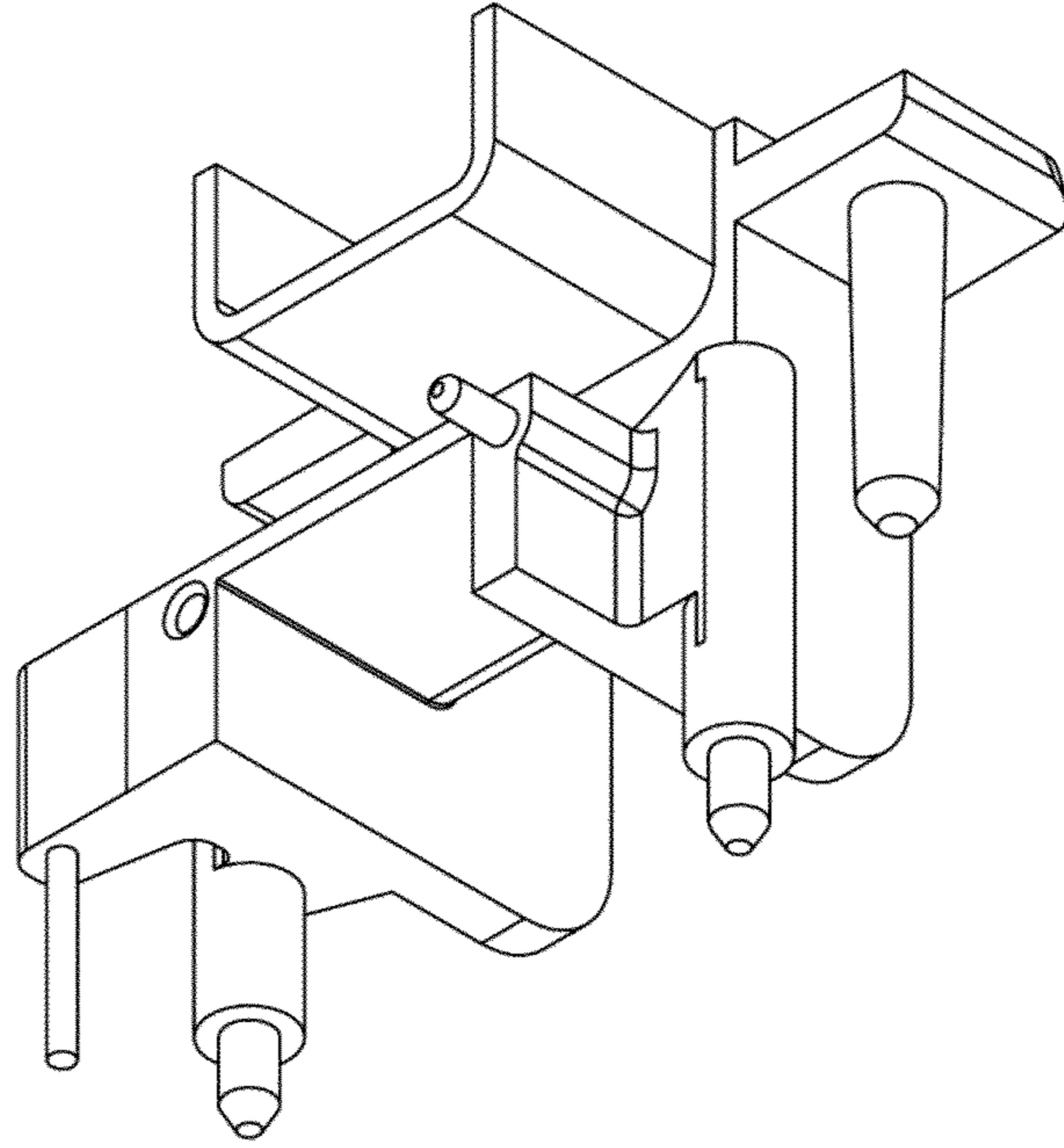


FIGURE 19

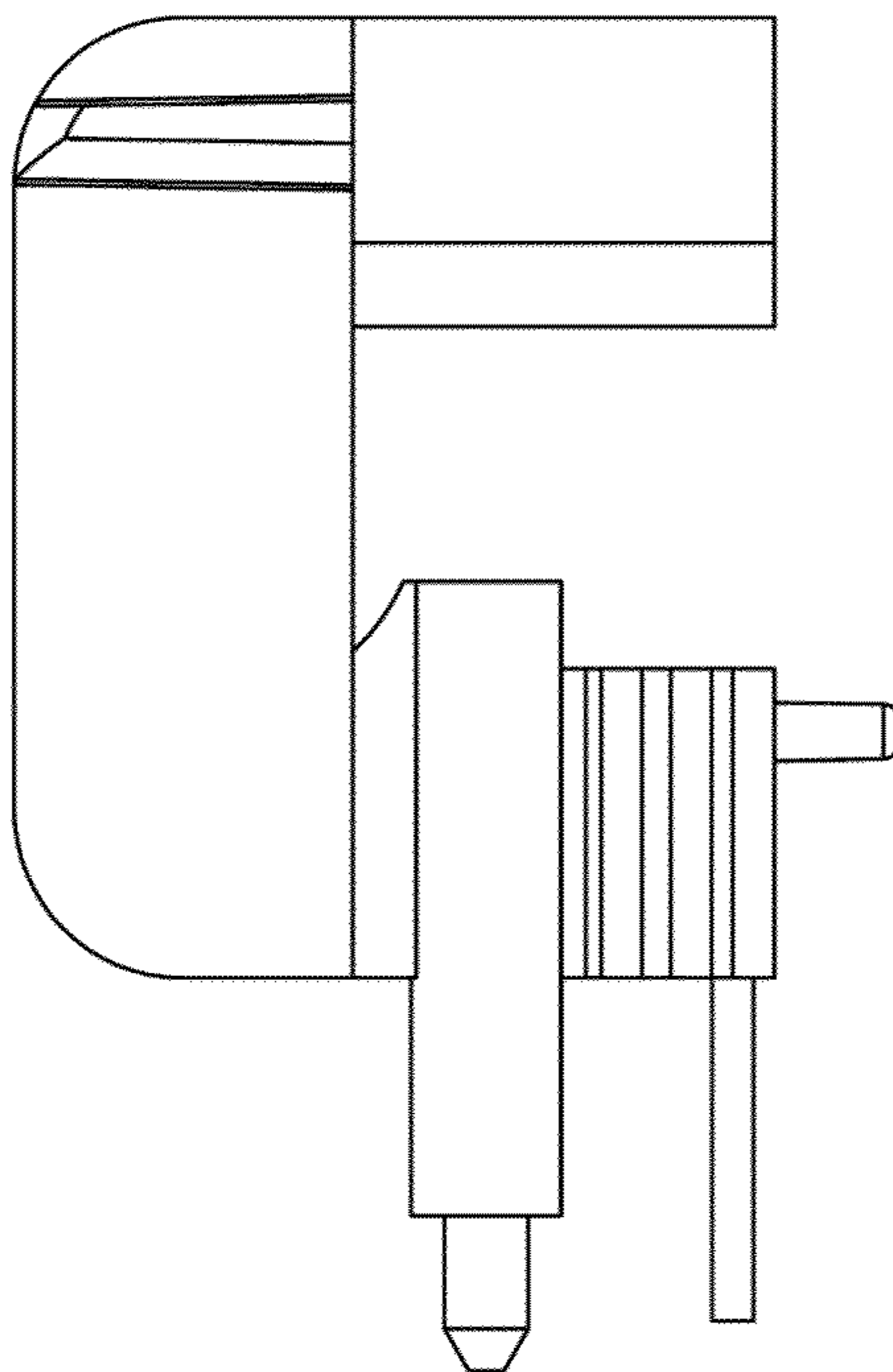


FIGURE 20

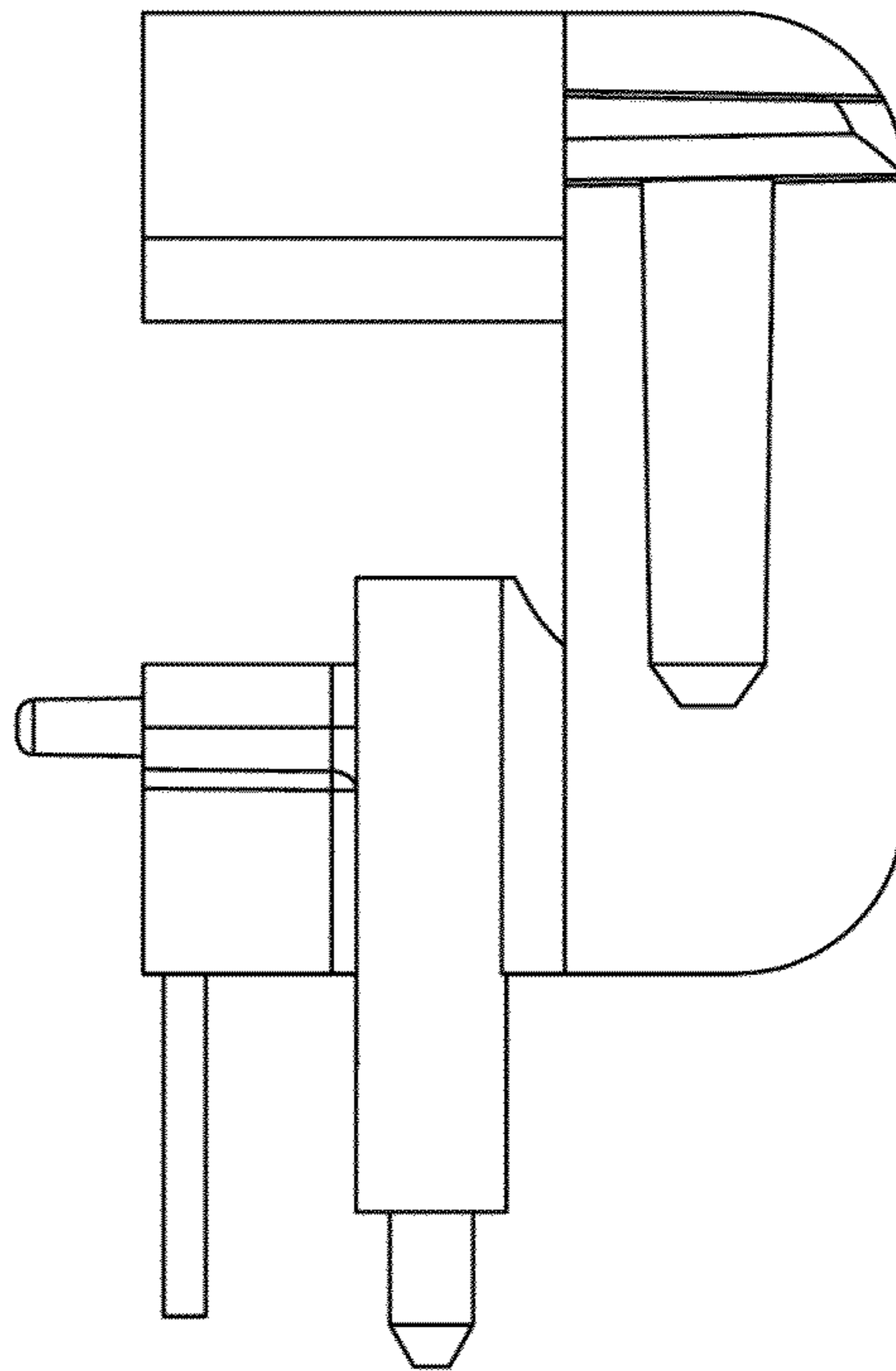


FIGURE 21

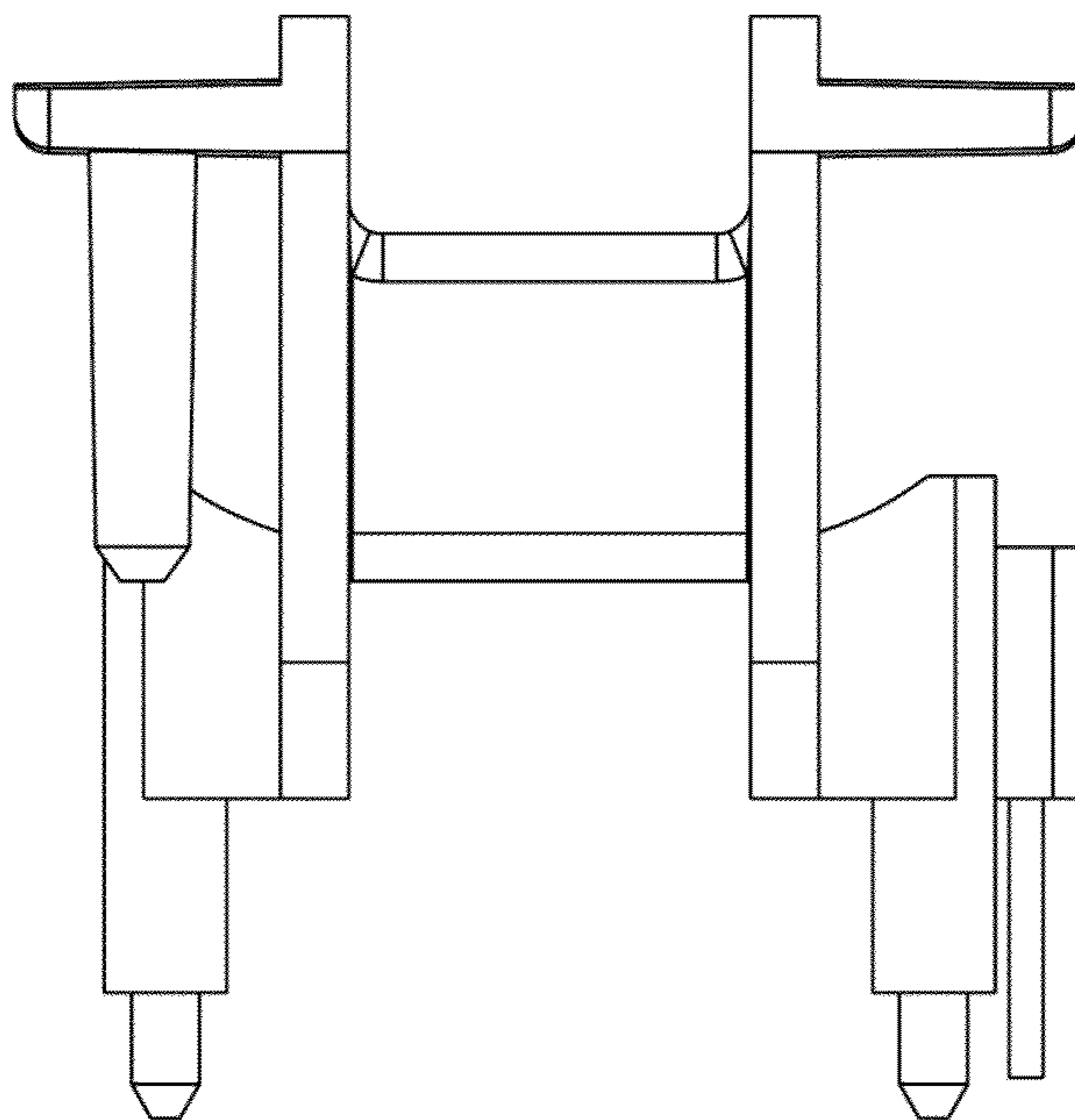


FIGURE 22

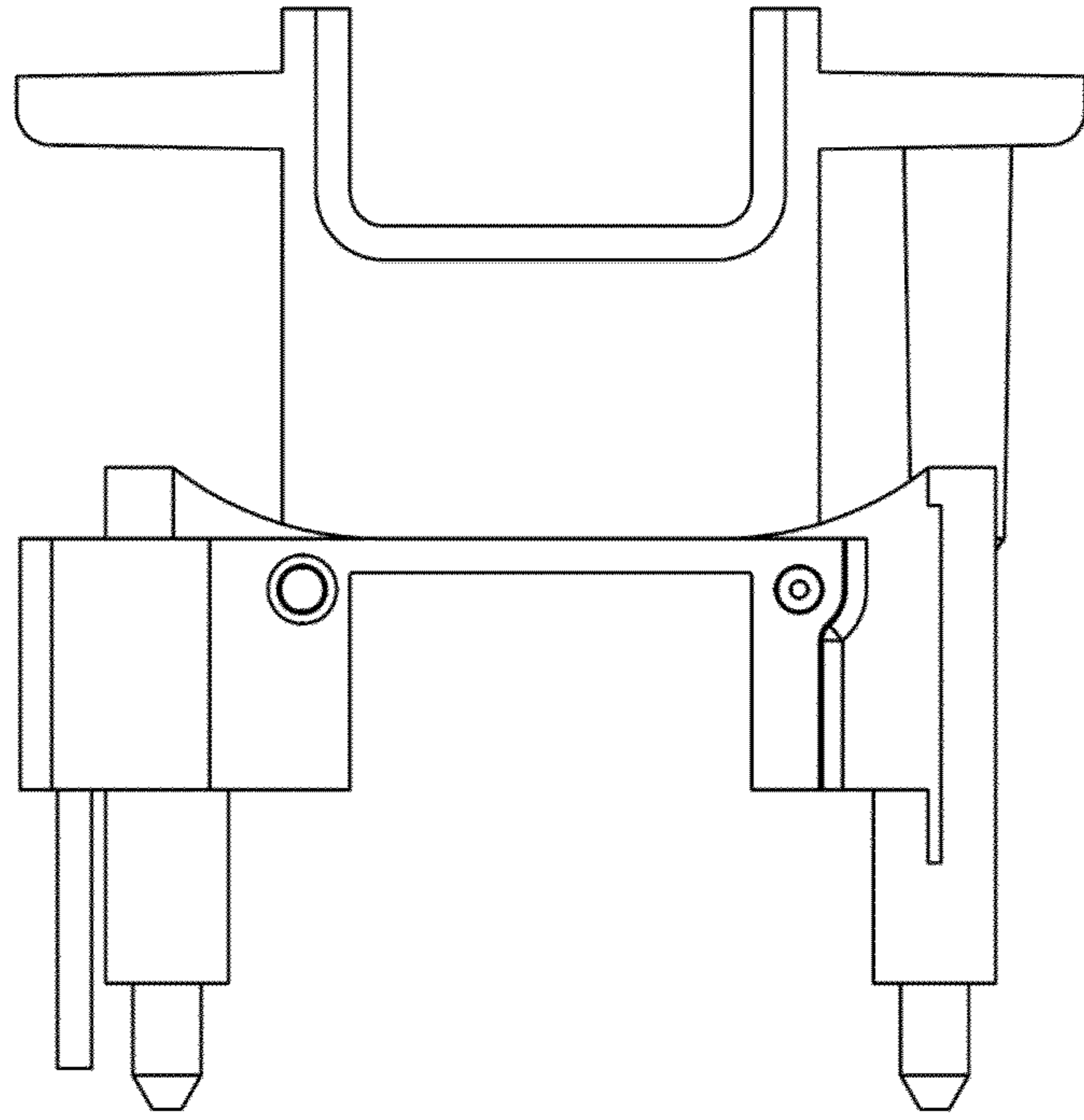


FIGURE 23

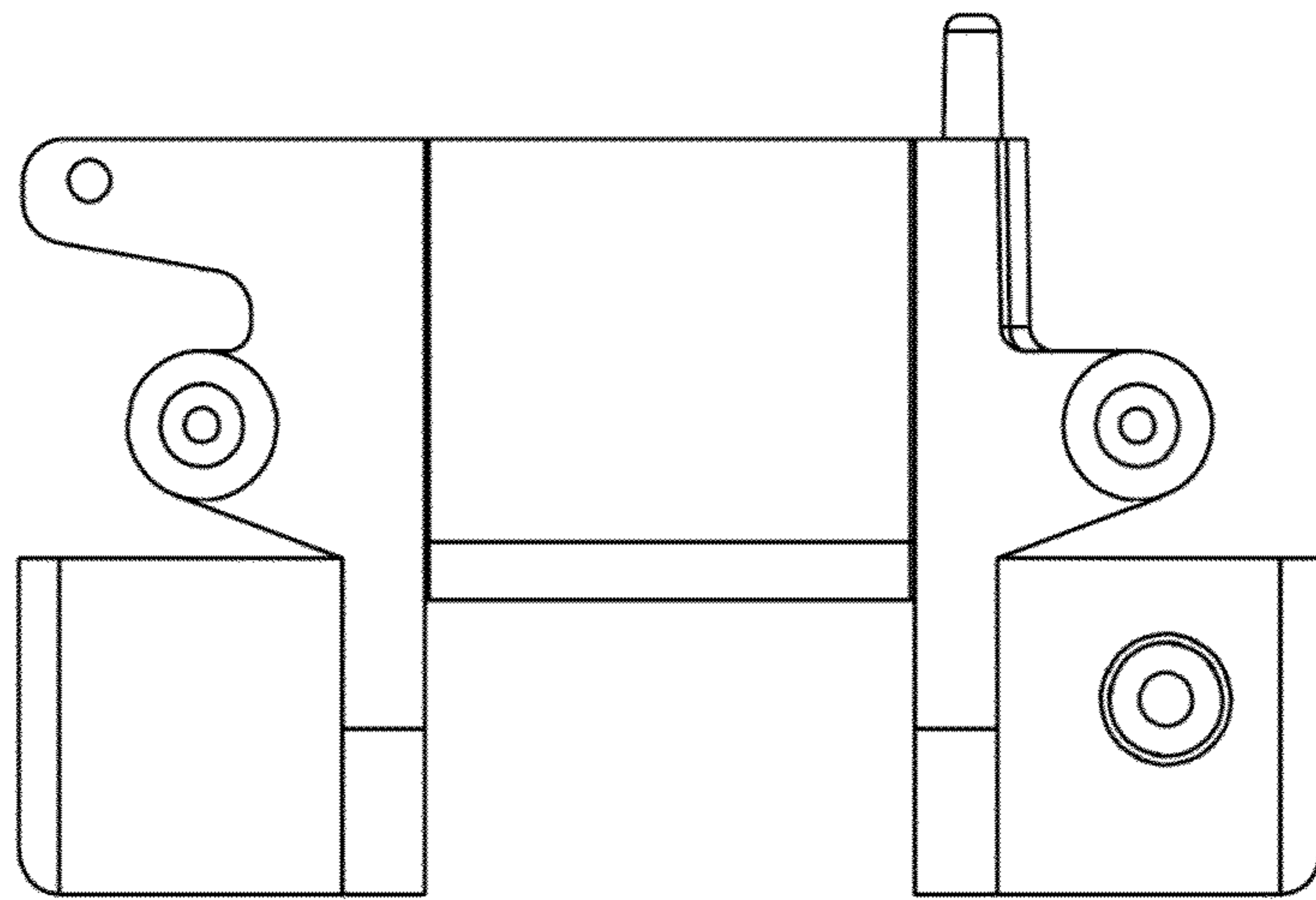


FIGURE 24

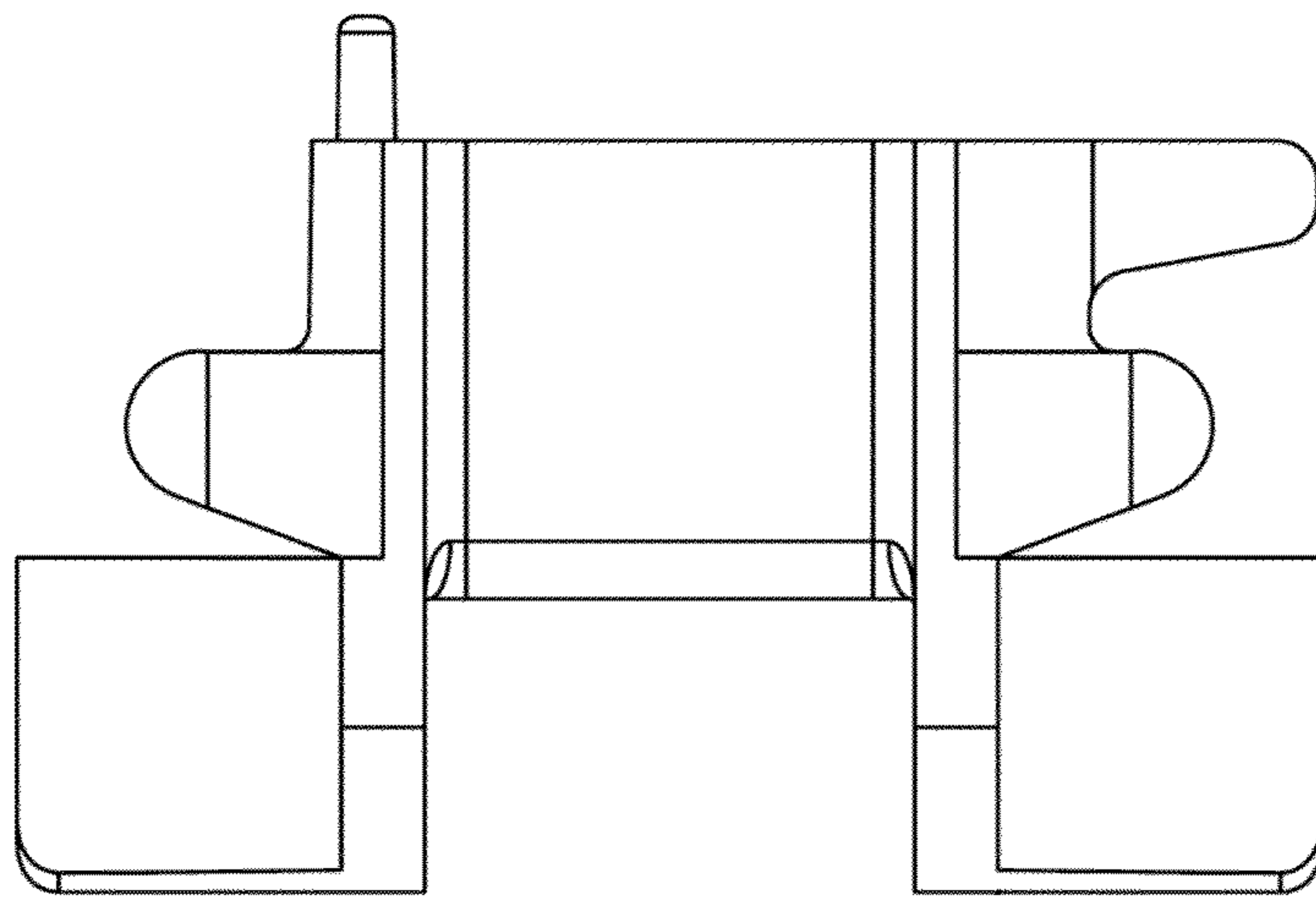


FIGURE 25