



US00D754552S

(12) **United States Design Patent**  
**Chi**

(10) **Patent No.:** **US D754,552 S**  
(45) **Date of Patent:** **\*\* Apr. 26, 2016**

(54) **SPIRIT LEVEL HAVING REFLECTION BUBBLE**

(71) Applicants: **HANGZHOU GREAT STAR TOOLS CO., LTD**, Hangzhou (CN);  
**HANGZHOU GREAT STAR INDUSTRIAL CO., LTD**, Hangzhou (CN)

(72) Inventor: **Xiaoheng Chi**, Hangzhou (CN)

(73) Assignees: **Hangzhou Great Star Tools Co., LTD** (CN); **Hangzhou Great Star Industrial Co.** (CN)

(\*\*) Term: **14 Years**

(21) Appl. No.: **29/513,025**

(22) Filed: **Dec. 24, 2014**

(30) **Foreign Application Priority Data**

Jun. 30, 2014 (CN) ..... 2014 3 0212316

(51) **LOC (10) Cl.** ..... **10-04**

(52) **U.S. Cl.**  
USPC ..... **D10/69**

(58) **Field of Classification Search**  
USPC ..... D10/69  
CPC ..... G01C 9/24; G01C 9/26; G01C 9/28;  
G01C 9/30; G01C 9/32; G01C 9/34; G01C 9/36

See application file for complete search history.

(56) **References Cited**

U.S. PATENT DOCUMENTS

D116,941 S \* 10/1939 Kim ..... D10/69  
3,208,147 A \* 9/1965 Estes ..... G01C 9/00  
33/282  
D649,884 S \* 12/2011 Guess ..... D10/69

OTHER PUBLICATIONS

“Spirit level,” Wikipedia, printed Dec. 22, 2014, (5 pages).  
“spirit level—Google Search,” printed Dec. 22, 2014, (2 pages).

\* cited by examiner

*Primary Examiner* — Antoine D Davis

(74) *Attorney, Agent, or Firm* — Workman Nydegger

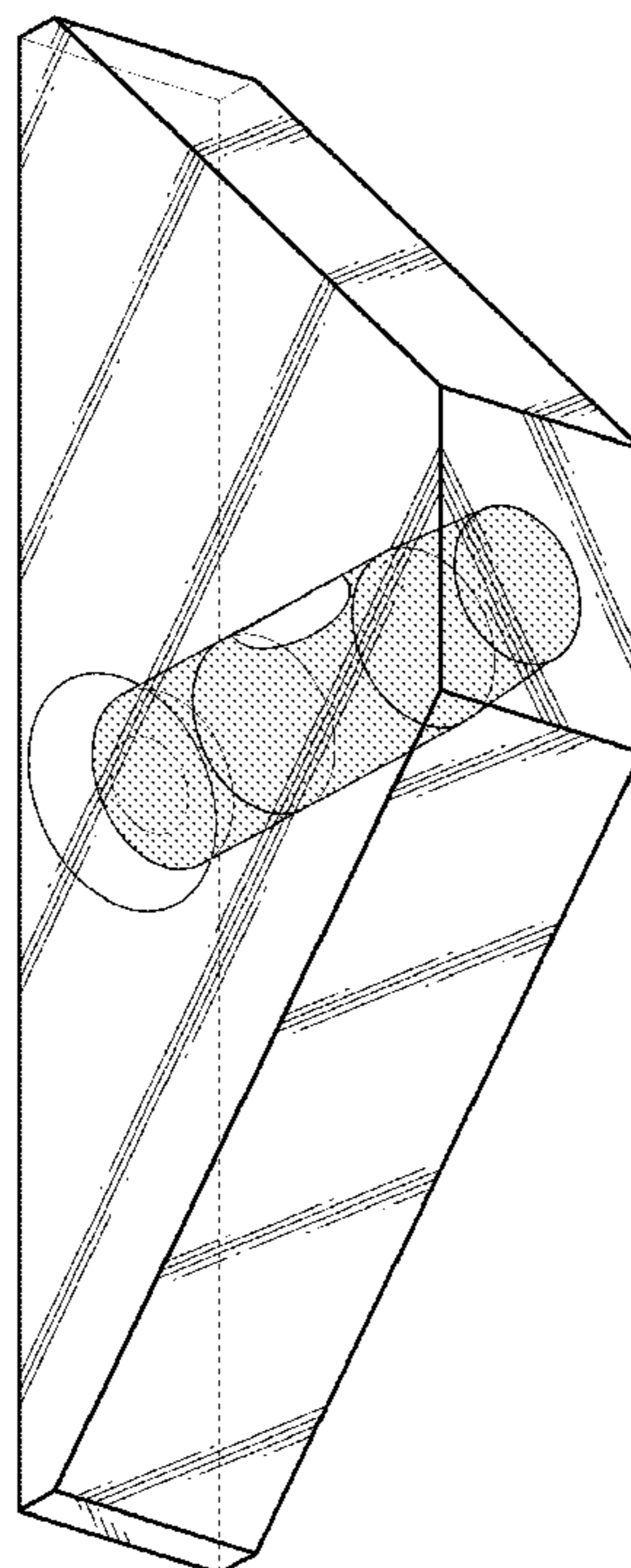
(57) **CLAIM**

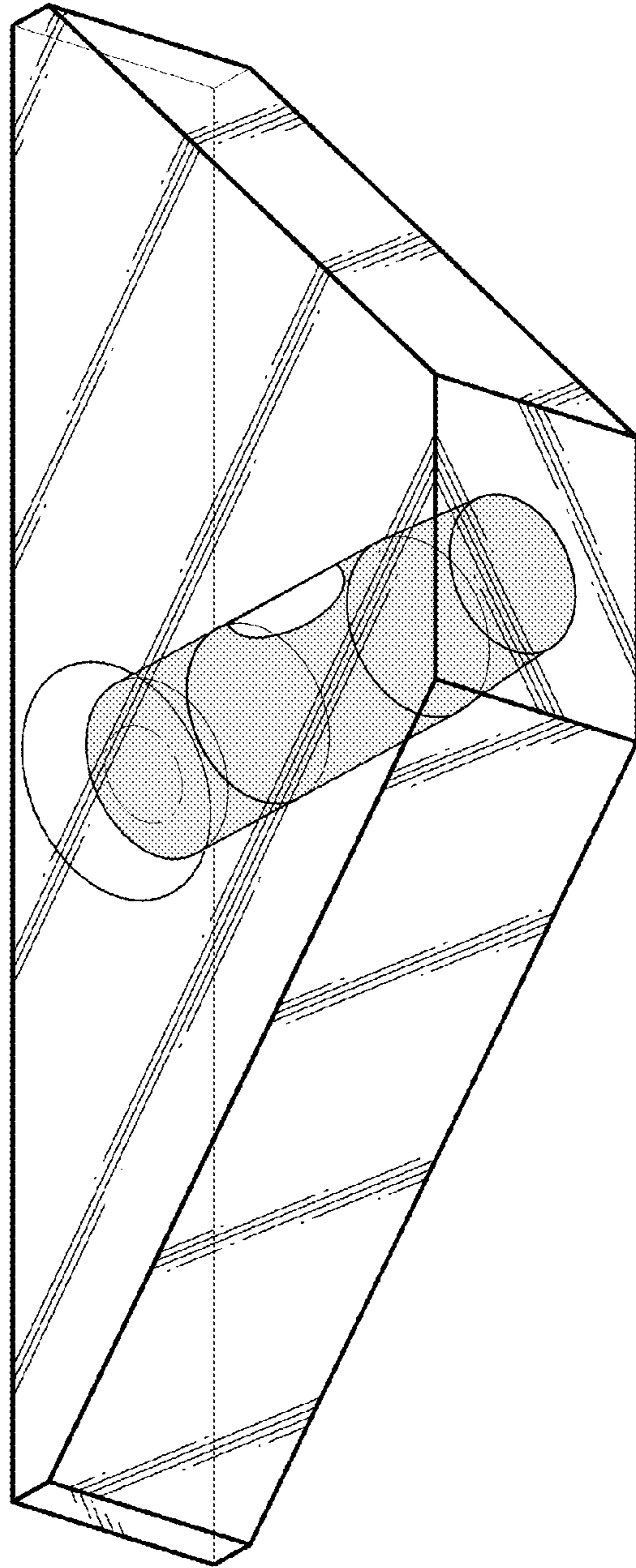
The ornamental design of a spirit level having a reflection bubble, as shown and described.

**DESCRIPTION**

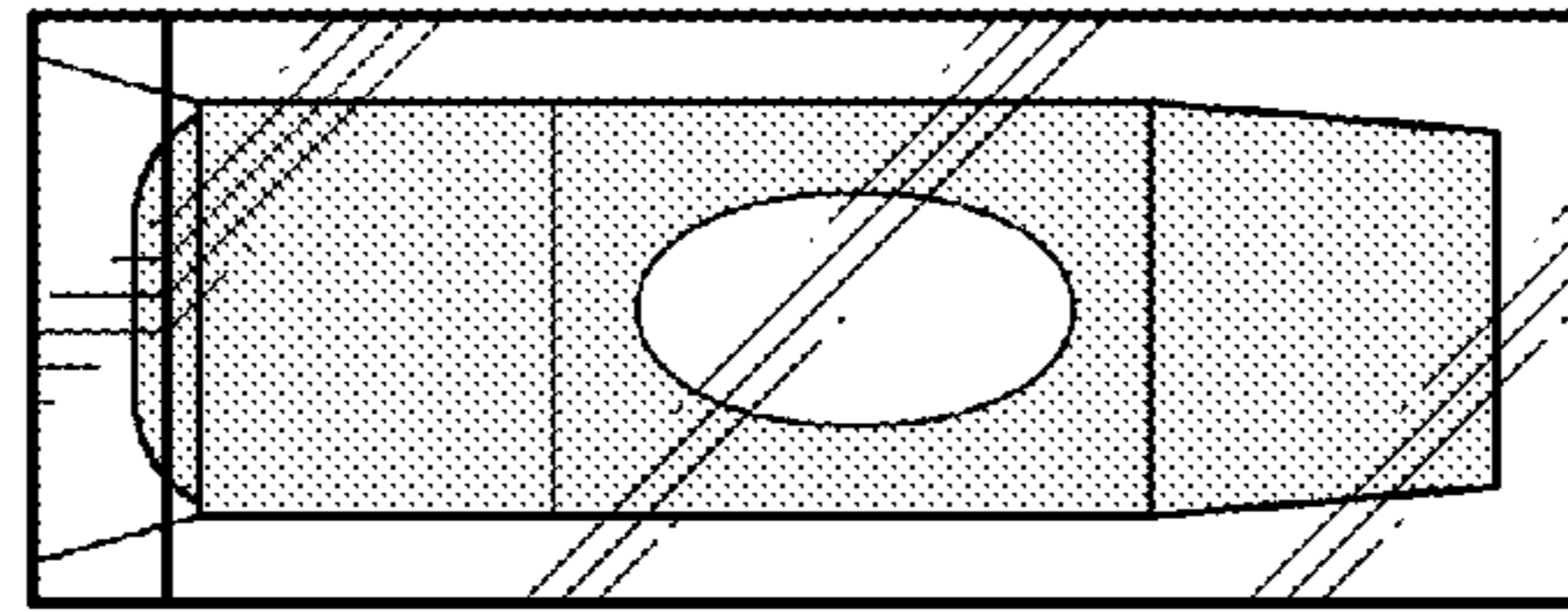
FIG. 1 is a perspective view of a first embodiment of a spirit level;  
FIG. 2 is a front elevational view of the embodiment of FIG. 1;  
FIG. 3 is a left elevational view of the embodiment of FIG. 1;  
FIG. 4 is a right elevational view of the embodiment of FIG. 1;  
FIG. 5 is a top elevational view of the embodiment of FIG. 1;  
FIG. 6 is a bottom elevational view of the embodiment of FIG. 1; and,  
FIG. 7 is a rear elevational view of the embodiment of FIG. 1.

**1 Claim, 3 Drawing Sheets**

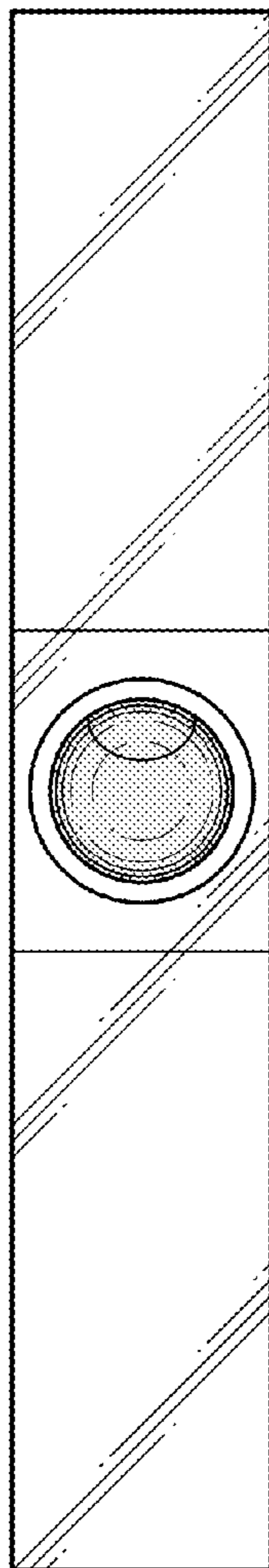




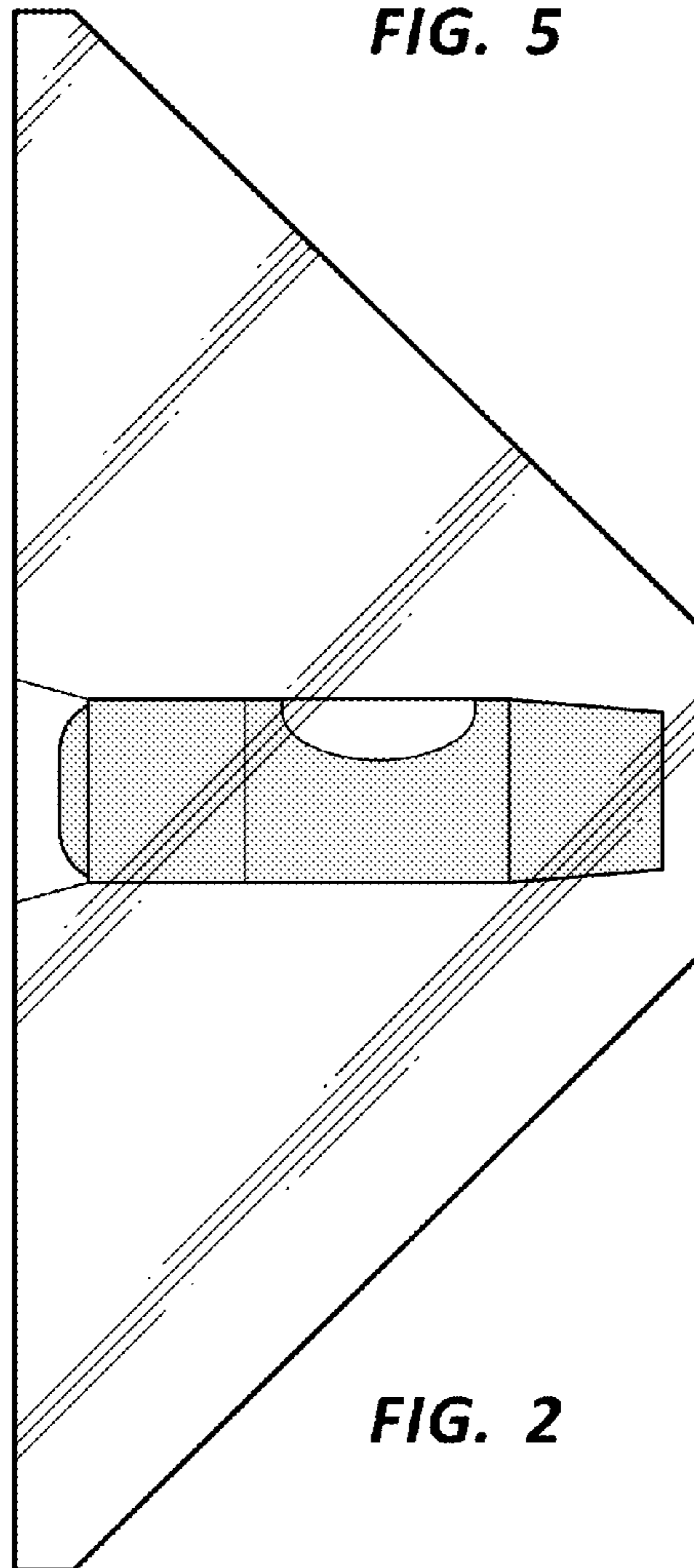
**FIG. 1**



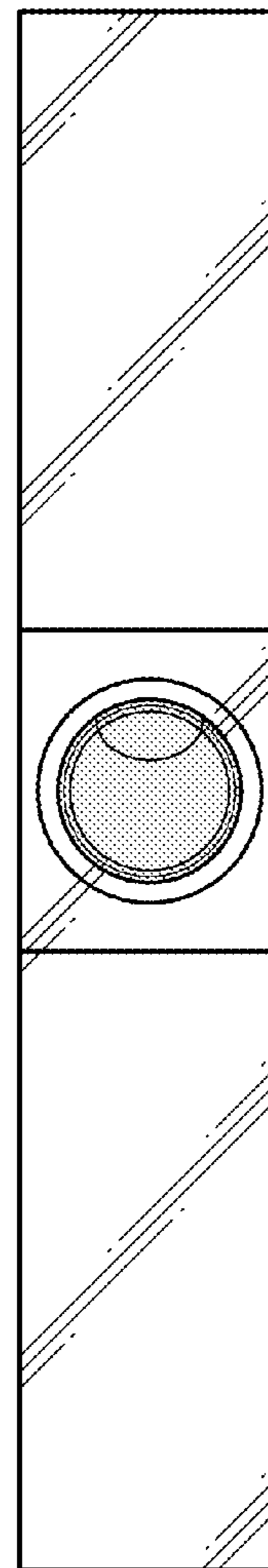
**FIG. 5**



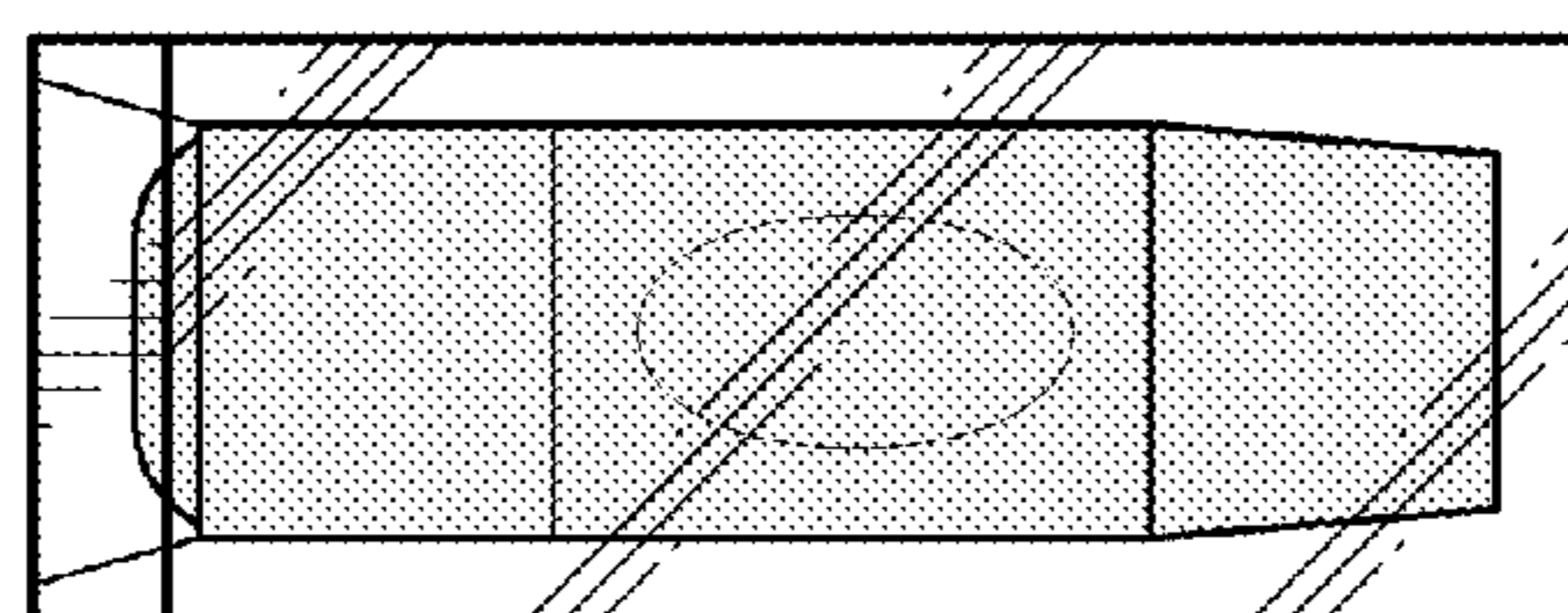
**FIG. 3**



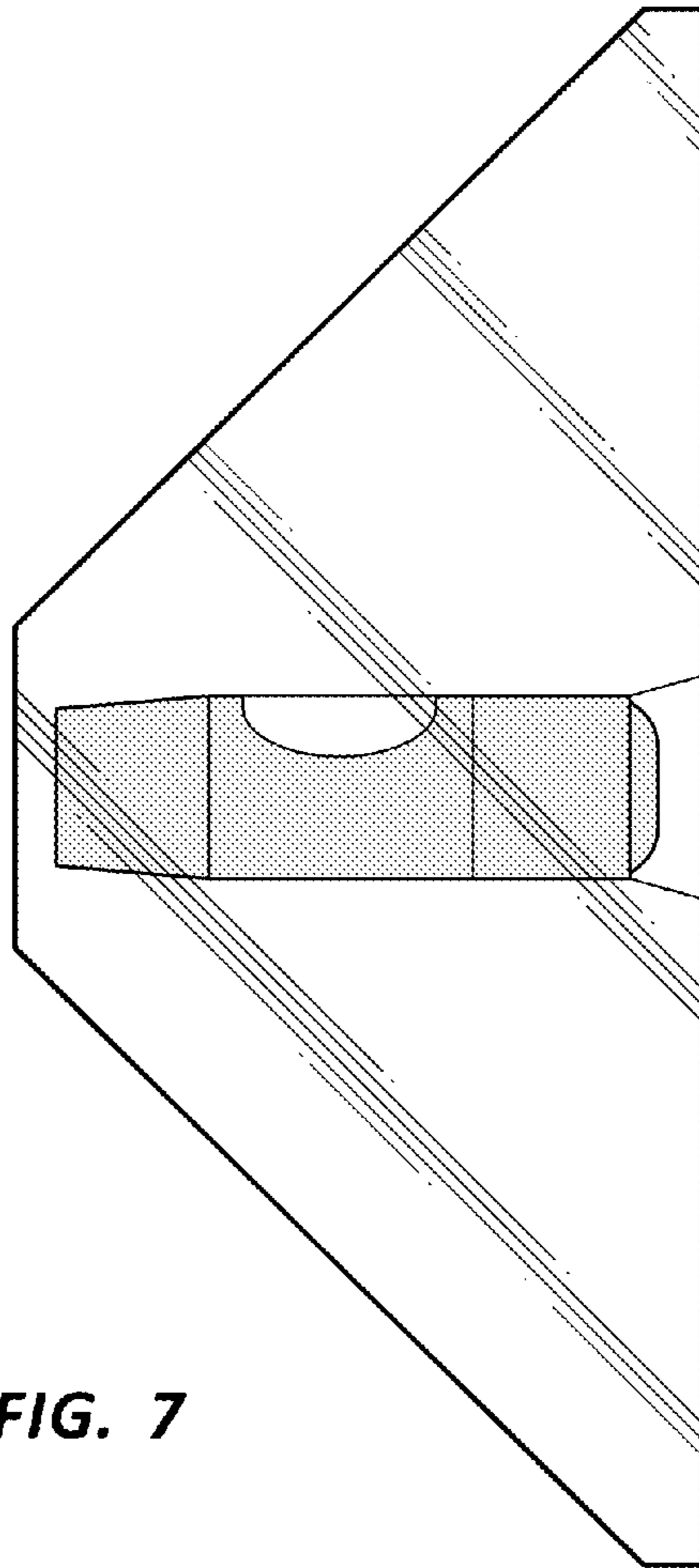
**FIG. 2**



**FIG. 4**



**FIG. 6**



**FIG. 7**

UNITED STATES PATENT AND TRADEMARK OFFICE  
**CERTIFICATE OF CORRECTION**

PATENT NO. : D754,552 S  
APPLICATION NO. : 29/513025  
DATED : April 26, 2016  
INVENTOR(S) : Xiaoheng Chi

Page 1 of 1

It is certified that error appears in the above-identified patent and that said Letters Patent is hereby corrected as shown below:

Title Page

Item 73, change "Hangzhou Great Star Industrial Co." to --Hangzhou Great Star Industrial Co., LTD--

Signed and Sealed this  
Eighteenth Day of October, 2016



Michelle K. Lee  
*Director of the United States Patent and Trademark Office*