



US00D754548S

(12) **United States Design Patent**
Block

(10) **Patent No.:** **US D754,548 S**
(45) **Date of Patent:** **** Apr. 26, 2016**

- (54) **TRAVEL WATCH WITH A ROUND FACE**
- (71) Applicant: **David Block**, Miami, FL (US)
- (72) Inventor: **David Block**, Miami, FL (US)
- (**) Term: **14 Years**
- (21) Appl. No.: **29/495,112**
- (22) Filed: **Jun. 27, 2014**
- (51) **LOC (10) Cl.** **10-02**
- (52) **U.S. Cl.**
USPC **D10/32**
- (58) **Field of Classification Search**
USPC D10/30-39, 1-29, 122-132
CPC G04B 37/00; G04B 37/0008; G04B
37/0058; G04B 37/1486; G04B 45/00; G04B
45/0069; A44C 5/00; A44C 5/0053; A44C
5/14; G04G 17/00; G04G 17/08
See application file for complete search history.

- 6,826,120 B1 * 11/2004 Decker G08B 25/016
368/10
- D505,086 S * 5/2005 Fernandez D10/39
- D534,821 S * 1/2007 Chen D10/104.1
- D596,051 S * 7/2009 Mille D10/38
- 2008/0084657 A1 * 4/2008 Baba G04G 17/08
361/679.01
- 2013/0223195 A1 * 8/2013 Loetscher G04B 37/0008
368/282

* cited by examiner

Primary Examiner — Martie K Holtje

(74) *Attorney, Agent, or Firm* — Goodwin Procter LLP

(57) **CLAIM**

The ornamental design for a travel watch with a round face, as shown and described.

DESCRIPTION

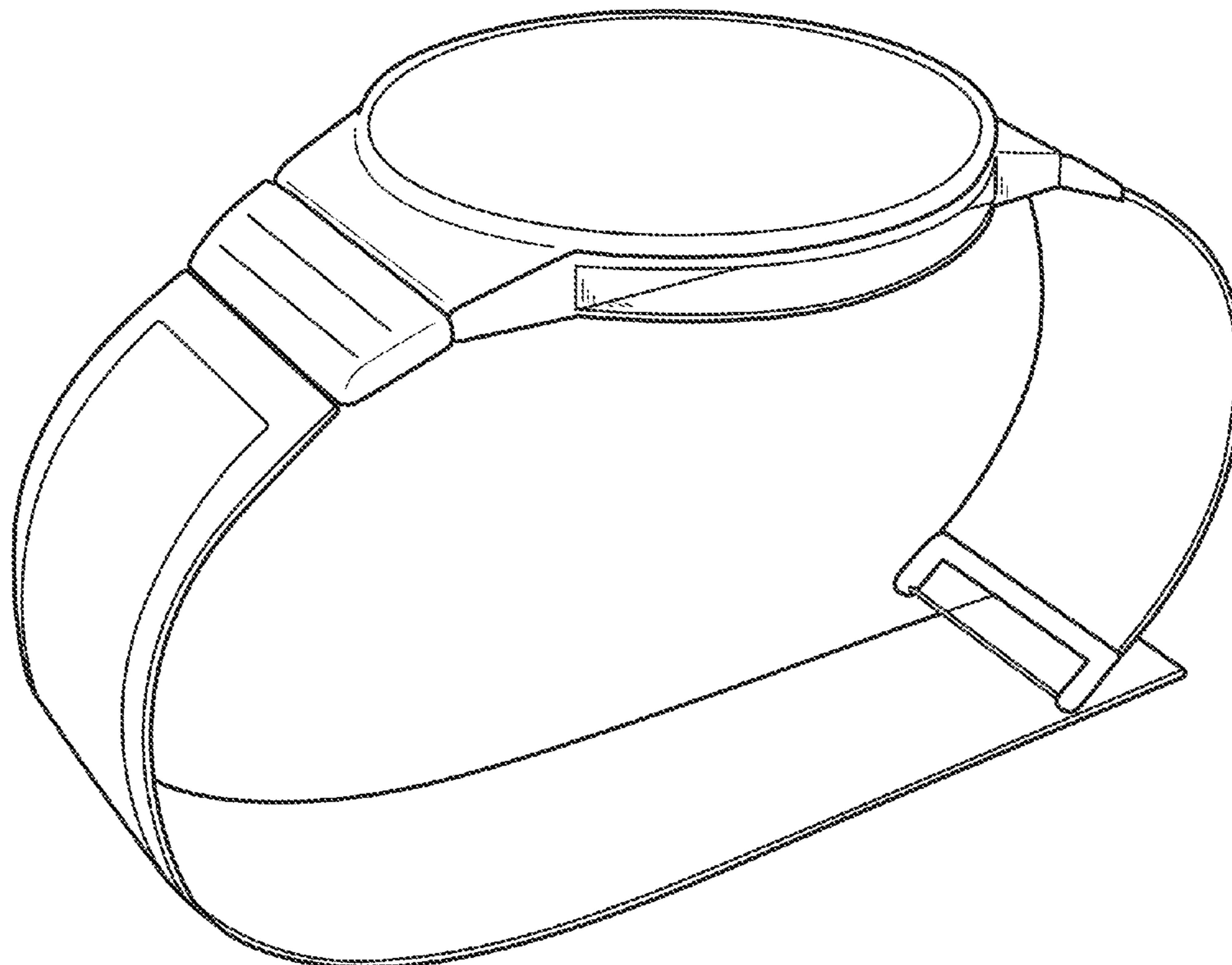
FIG. 1 is a right front perspective view of a travel watch with a round face showing my new design;
FIG. 2 is a front elevational view thereof;
FIG. 3 is a rear elevational view thereof;
FIG. 4 is top plan view thereof;
FIG. 5 is a bottom plan view thereof;
FIG. 6 is a right side elevational view thereof; and,
FIG. 7 is a left side elevational view thereof.

1 Claim, 5 Drawing Sheets

(56) **References Cited**

U.S. PATENT DOCUMENTS

- D74,823 S * 4/1928 Conant D10/38
- D188,062 S * 5/1960 Pretat D10/38
- D237,784 S * 11/1975 Cruse D10/38
- D380,161 S * 6/1997 Riley D10/30



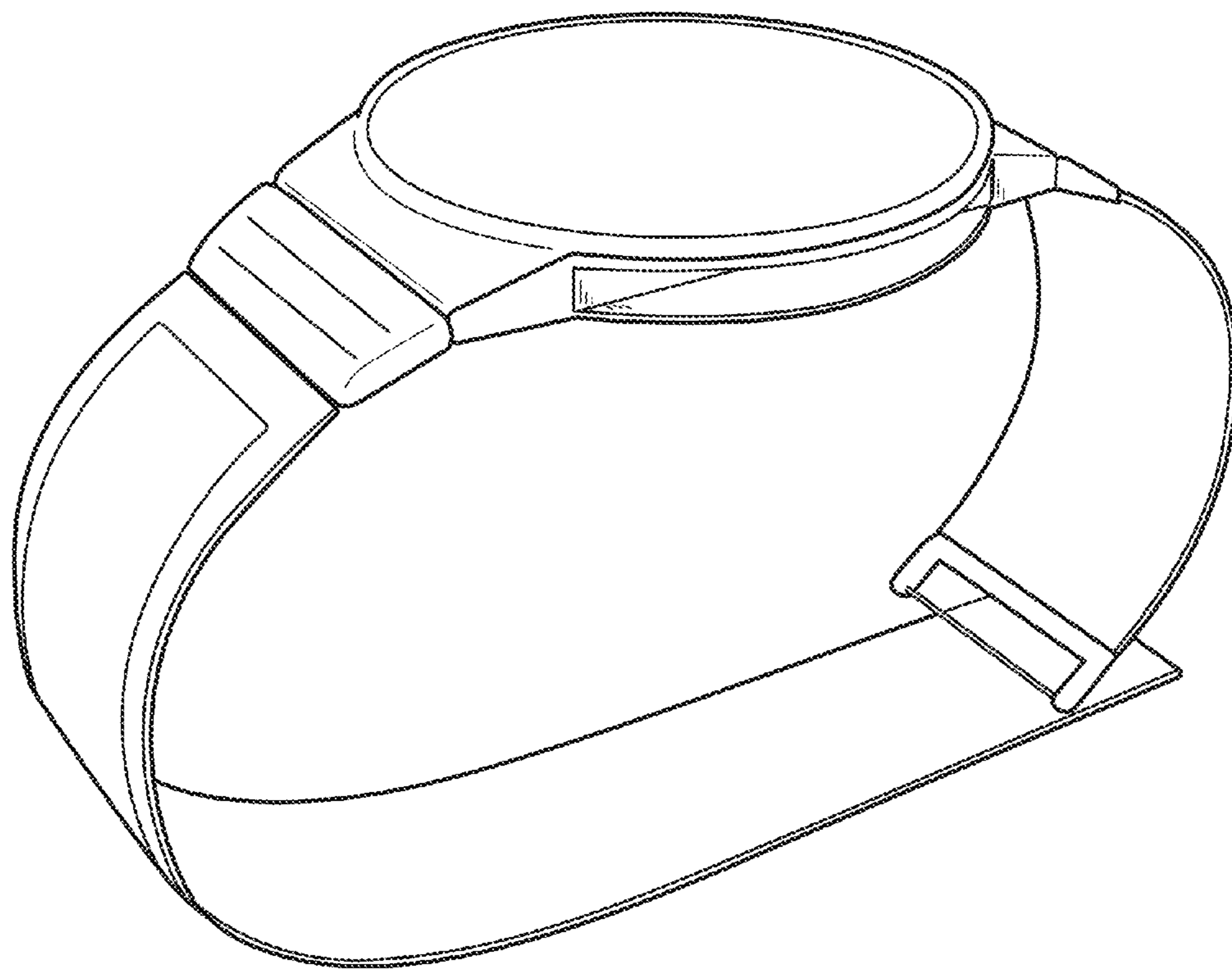


FIG. 1

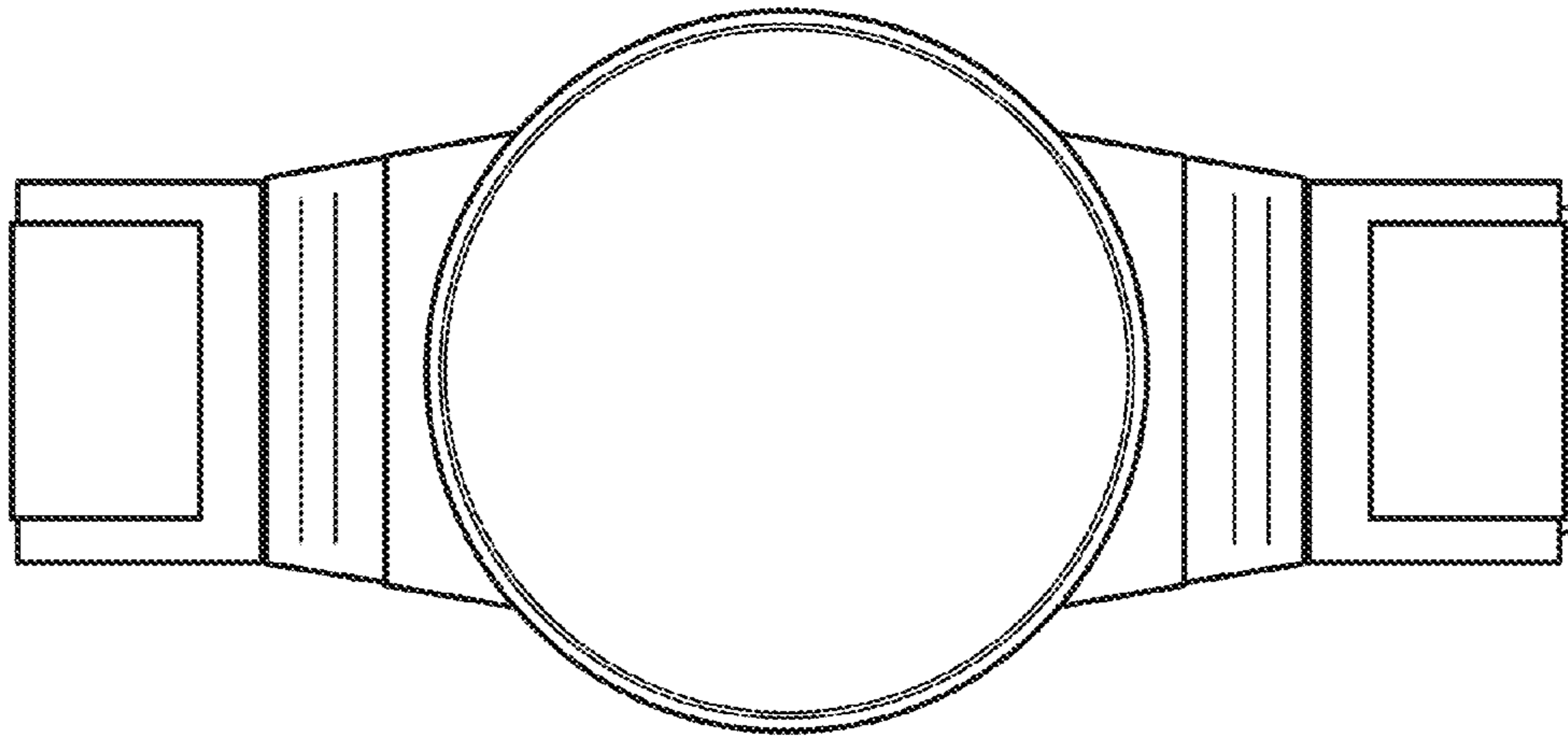


FIG. 2

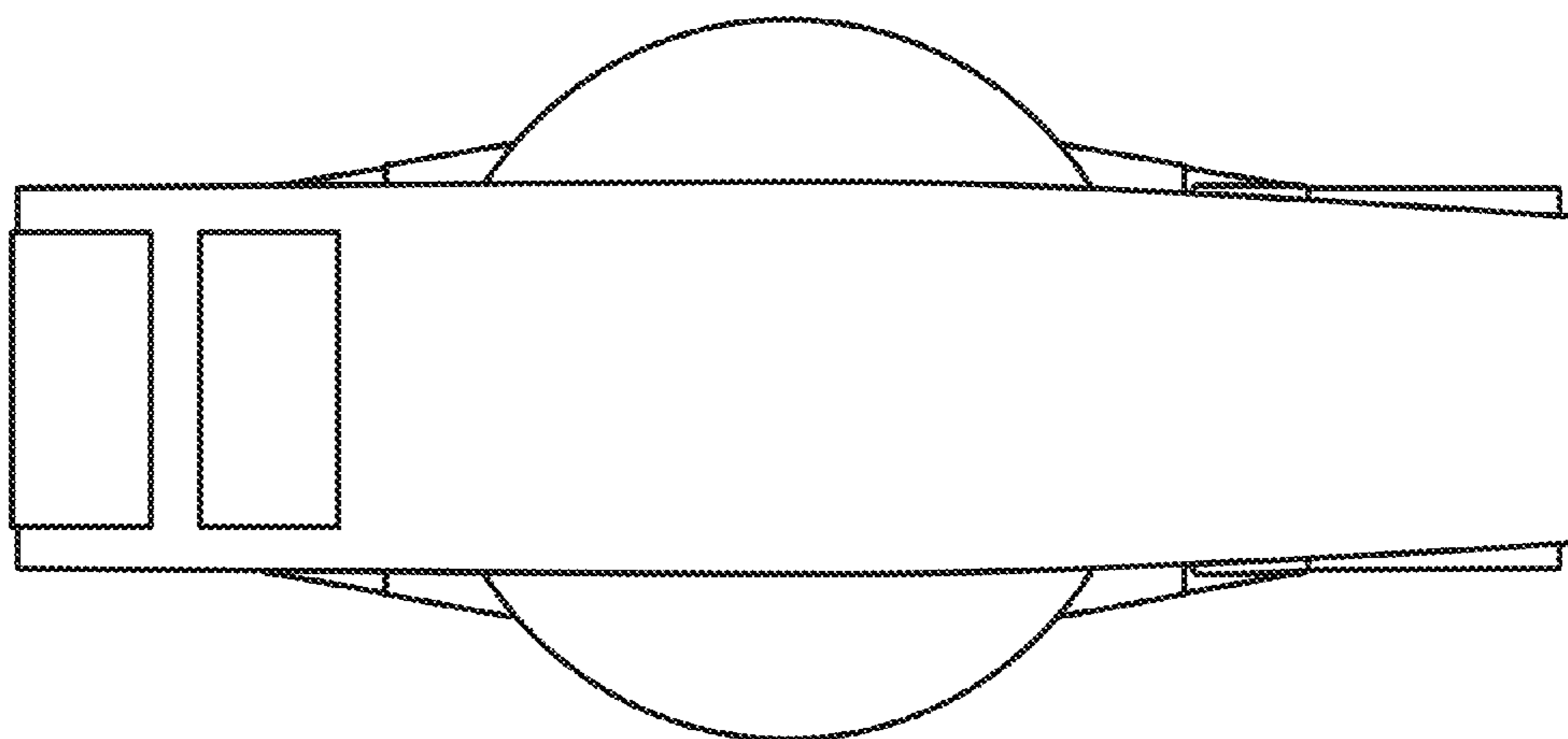


FIG. 3

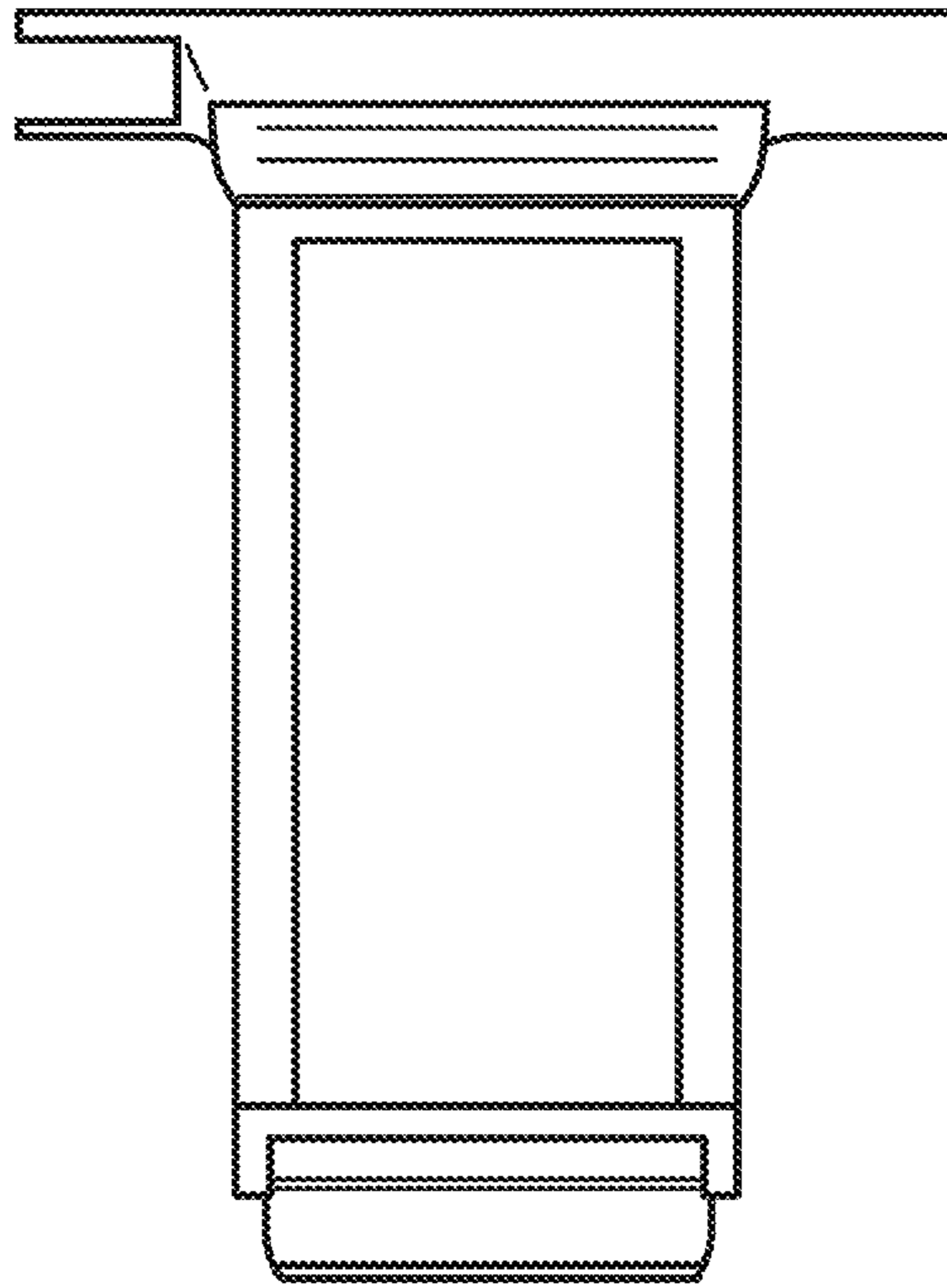


FIG. 4

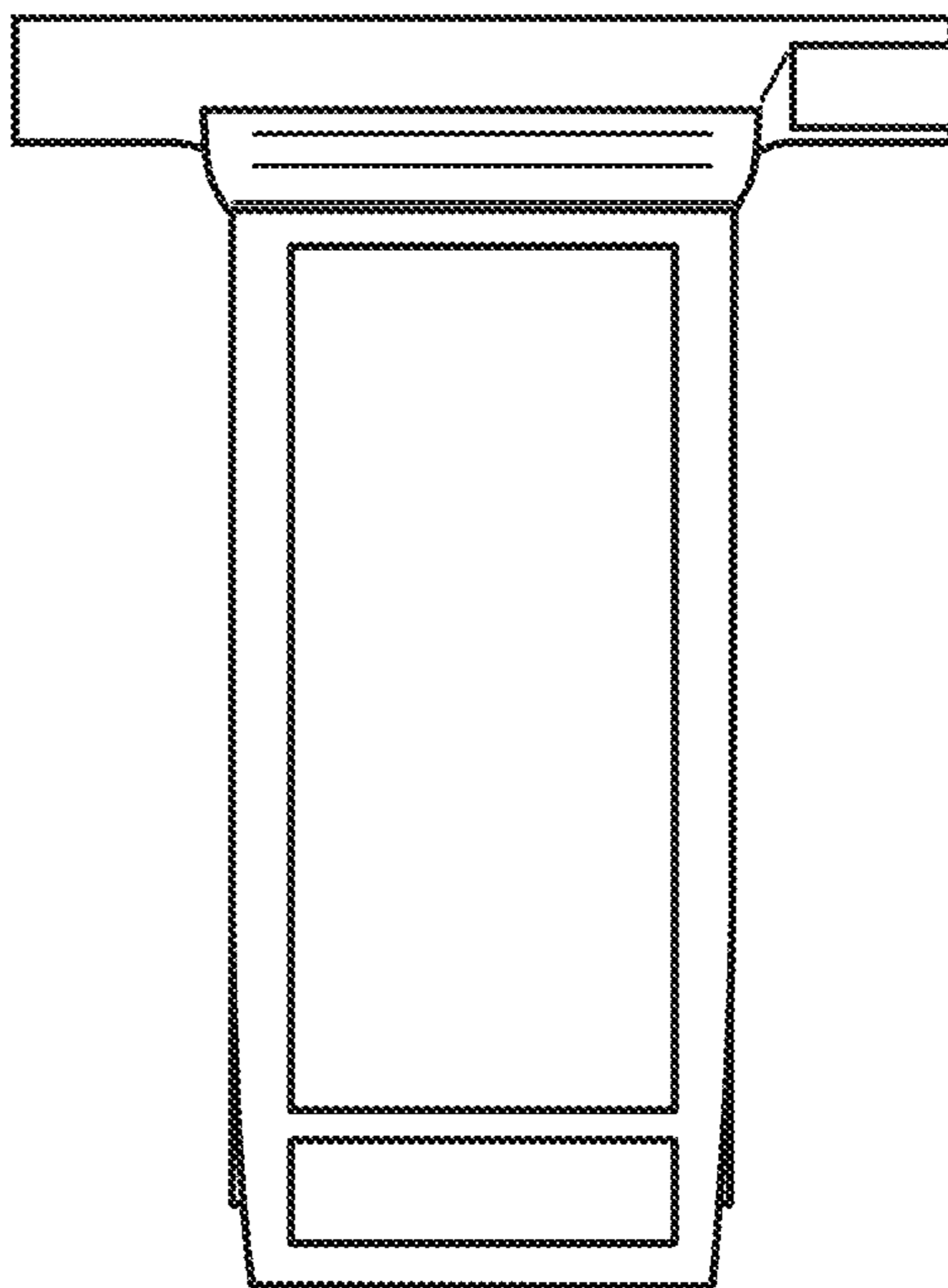


FIG. 5

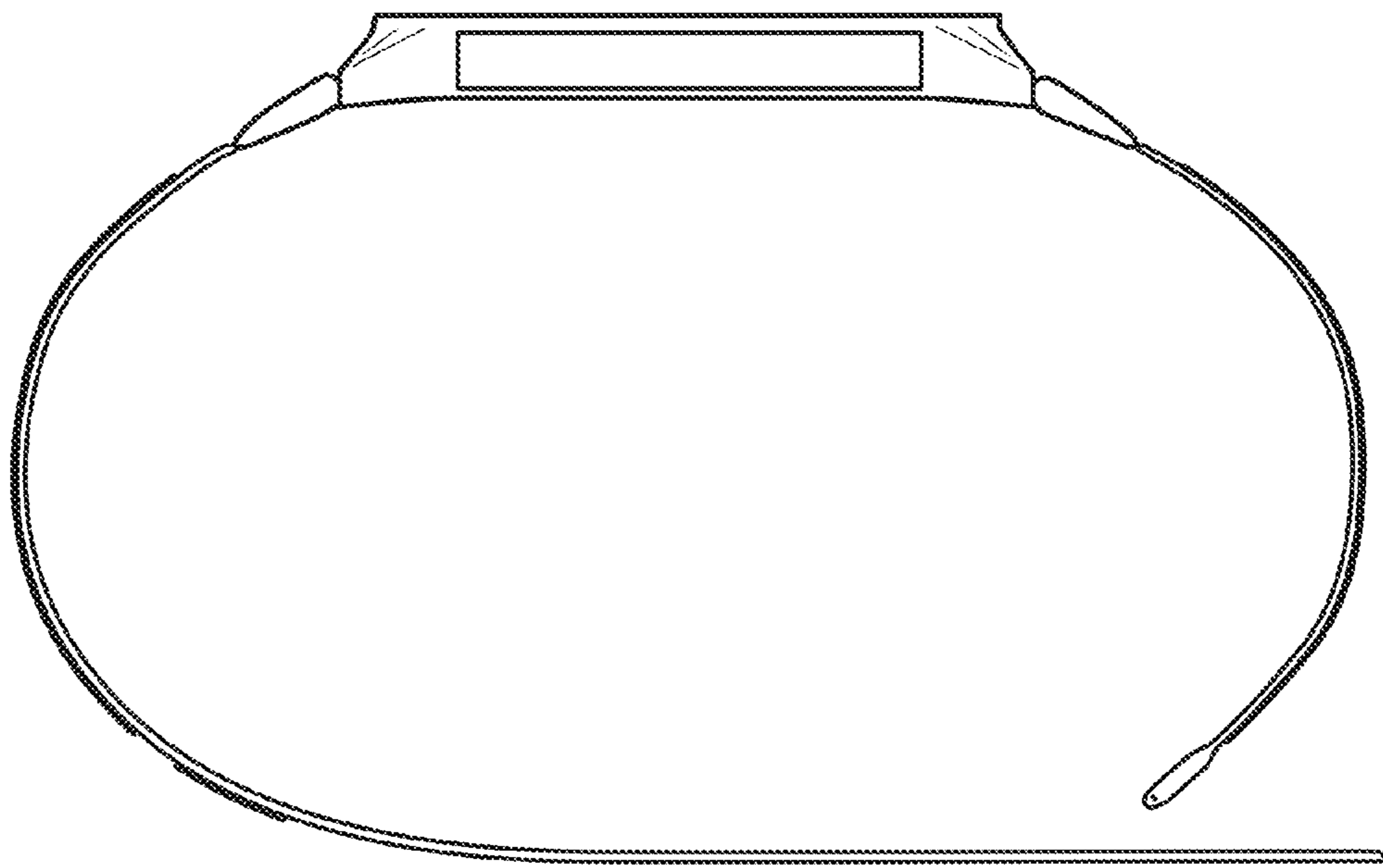


FIG. 6

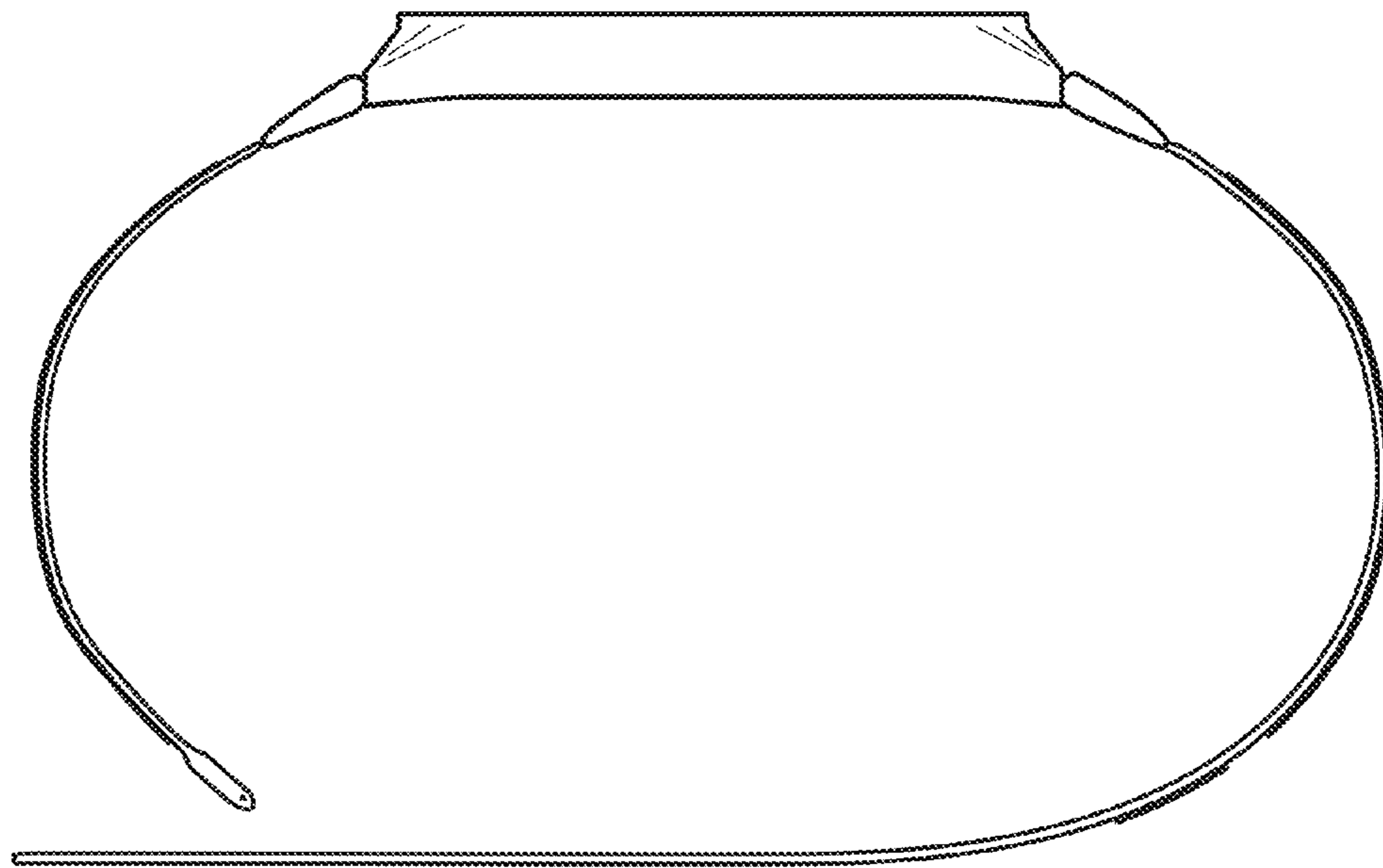


FIG. 7