



US00D754547S

(12) **United States Design Patent**
Psimadas et al.

(10) **Patent No.:** **US D754,547 S**
(45) **Date of Patent:** **** Apr. 26, 2016**

(54) **SHAVER PACKAGE**

(71) Applicant: **Societe BIC**, Clichy (FR)

(72) Inventors: **Ioannis Marios Psimadas**, Athens (GR);
Andreas Vasiliadis, Charandri-Athens
(GR); **Argyro Kallivretaki**, Athens (GR)

(73) Assignee: **Societe BIC**, Clichy (FR)

(**) Term: **14 Years**

(21) Appl. No.: **29/515,941**

(22) Filed: **Jan. 28, 2015**

(30) **Foreign Application Priority Data**

Jul. 28, 2014 (EM) 002510008-0001

(51) **LOC (10) Cl.** **09-03**

(52) **U.S. Cl.**
USPC **D9/748**

(58) **Field of Classification Search**
USPC D9/414, 415, 418, 421, 423-426, 430,
D9/432-438, 440, 443-445, 447, 449,
D9/455-457, 499, 710, 712, 748; 206/354,
206/471

CPC B65D 5/4204
See application file for complete search history.

(56) **References Cited**

U.S. PATENT DOCUMENTS

D141,766 S * 7/1945 Keene D9/748
D206,732 S * 1/1967 Lowry D9/748
D352,236 S * 11/1994 Althaus D9/748
D511,105 S * 11/2005 Dominesey D9/748
D522,380 S * 6/2006 Dibnah D9/715
D533,684 S 12/2006 Gray et al.
D575,454 S 8/2008 Keene et al.
D595,126 S * 6/2009 Marcinkowski D9/418
D604,904 S 11/2009 Watson
D604,905 S 11/2009 Psimadas et al.

D607,151 S 12/2009 Kling et al.
D612,102 S 3/2010 Kling et al.
D615,705 S 5/2010 Ramm
D616,607 S 5/2010 Ramm et al.
D619,302 S 7/2010 Ramm
D624,702 S 9/2010 Schulz et al.
D636,125 S 4/2011 Schulz et al.
D636,126 S 4/2011 Schulz et al.
D662,811 S * 7/2012 Marcinkowski D9/415
D684,045 S * 6/2013 Frees D9/424
8,522,972 B2 * 9/2013 Greene B65D 25/10
206/352
D707,119 S * 6/2014 Nguyen D9/424
D707,135 S * 6/2014 Sennett D9/748
D715,139 S * 10/2014 Marcinkowski D9/424

(Continued)

OTHER PUBLICATIONS

Seven (7) photos of Comfort 3 Advance Shaver.

(Continued)

Primary Examiner — Robert M Spear

Assistant Examiner — Darcey E Heflin

(74) *Attorney, Agent, or Firm* — The H.T. Than Law Group

(57) **CLAIM**

The ornamental design for shaver package, as shown and described.

DESCRIPTION

FIG. 1 is rear view of an ornamental design for a shaver package according to the present invention;

FIG. 2 is a front view thereof;

FIG. 3 is a right side view thereof;

FIG. 4 is a left side view thereof;

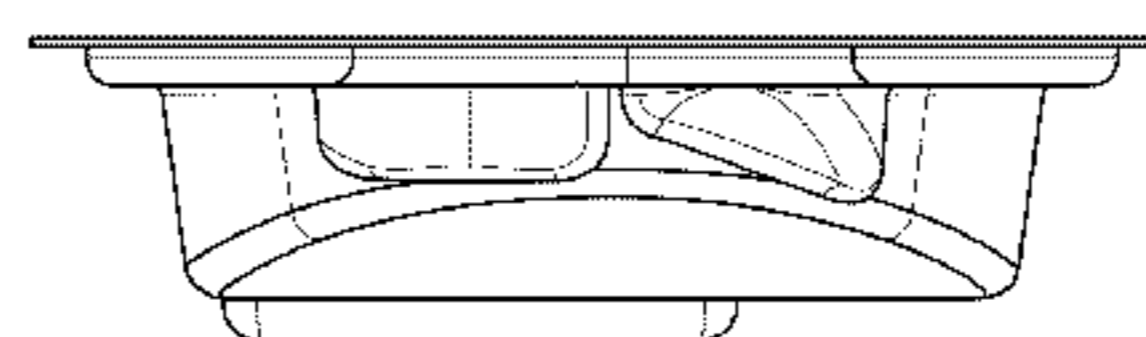
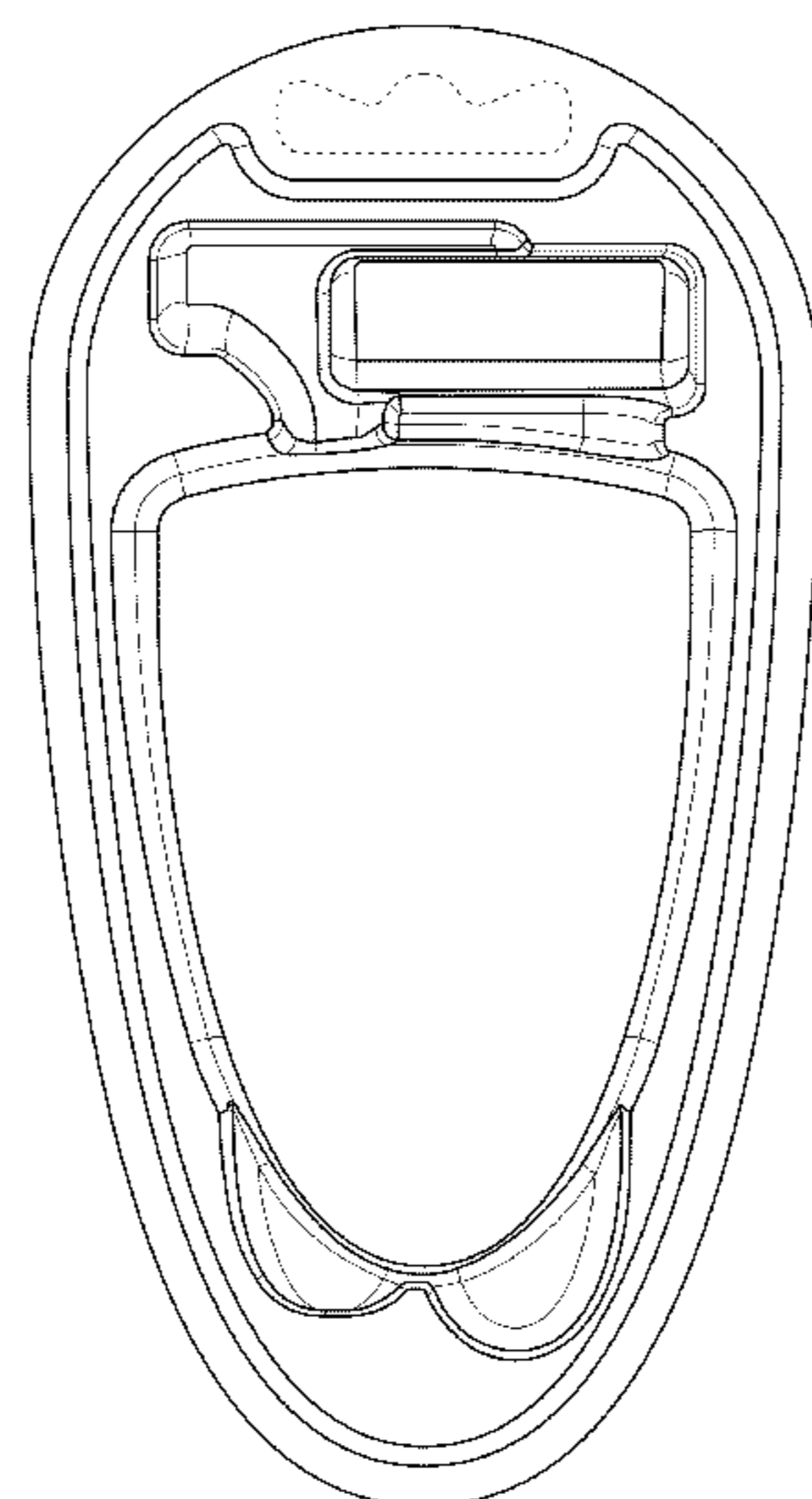
FIG. 5 is a top view thereof;

FIG. 6 is a bottom view thereof; and,

FIG. 7 is a rear perspective view thereof.

All portions shown in broken lines are environmental only and form no part of the claimed design.

1 Claim, 5 Drawing Sheets



(56)

References Cited

OTHER PUBLICATIONS

U.S. PATENT DOCUMENTS

D724,946 S * 3/2015 Atkinson D9/415
2010/0200443 A1 * 8/2010 Greene B65D 25/10
206/354

Seven (7) photos of Gillete Fusion Shaver.

* cited by examiner

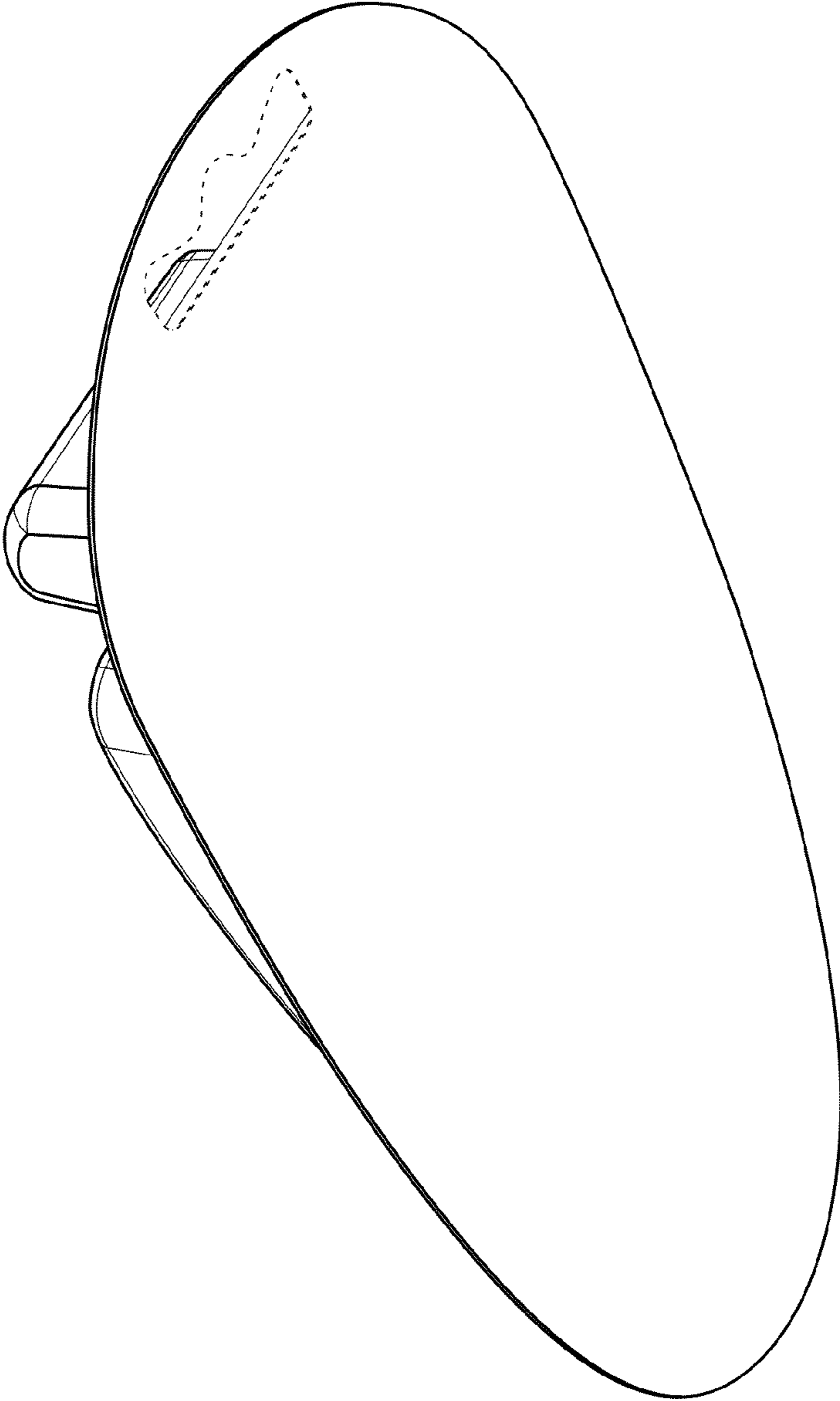


Fig. 1

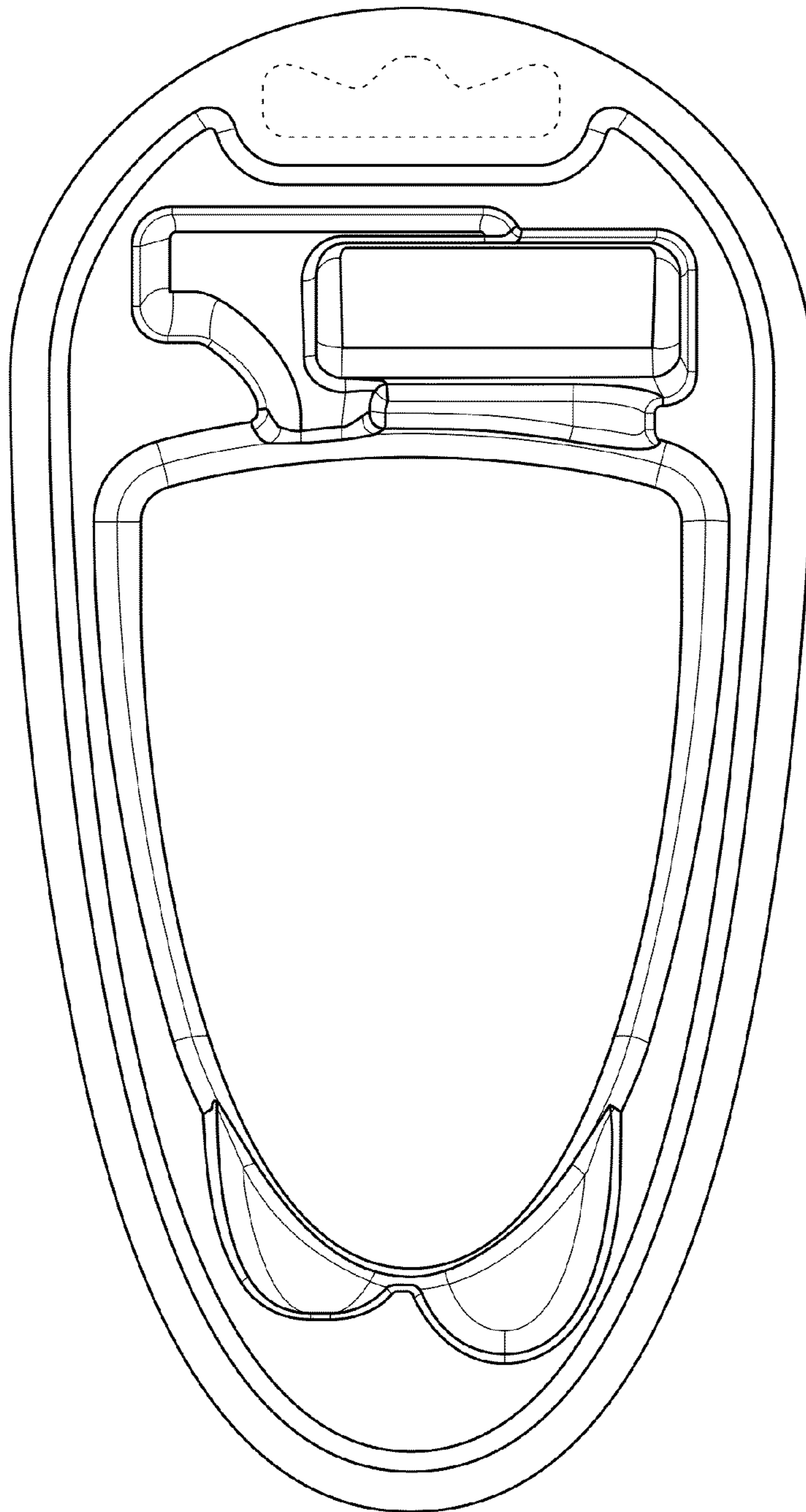


Fig. 2

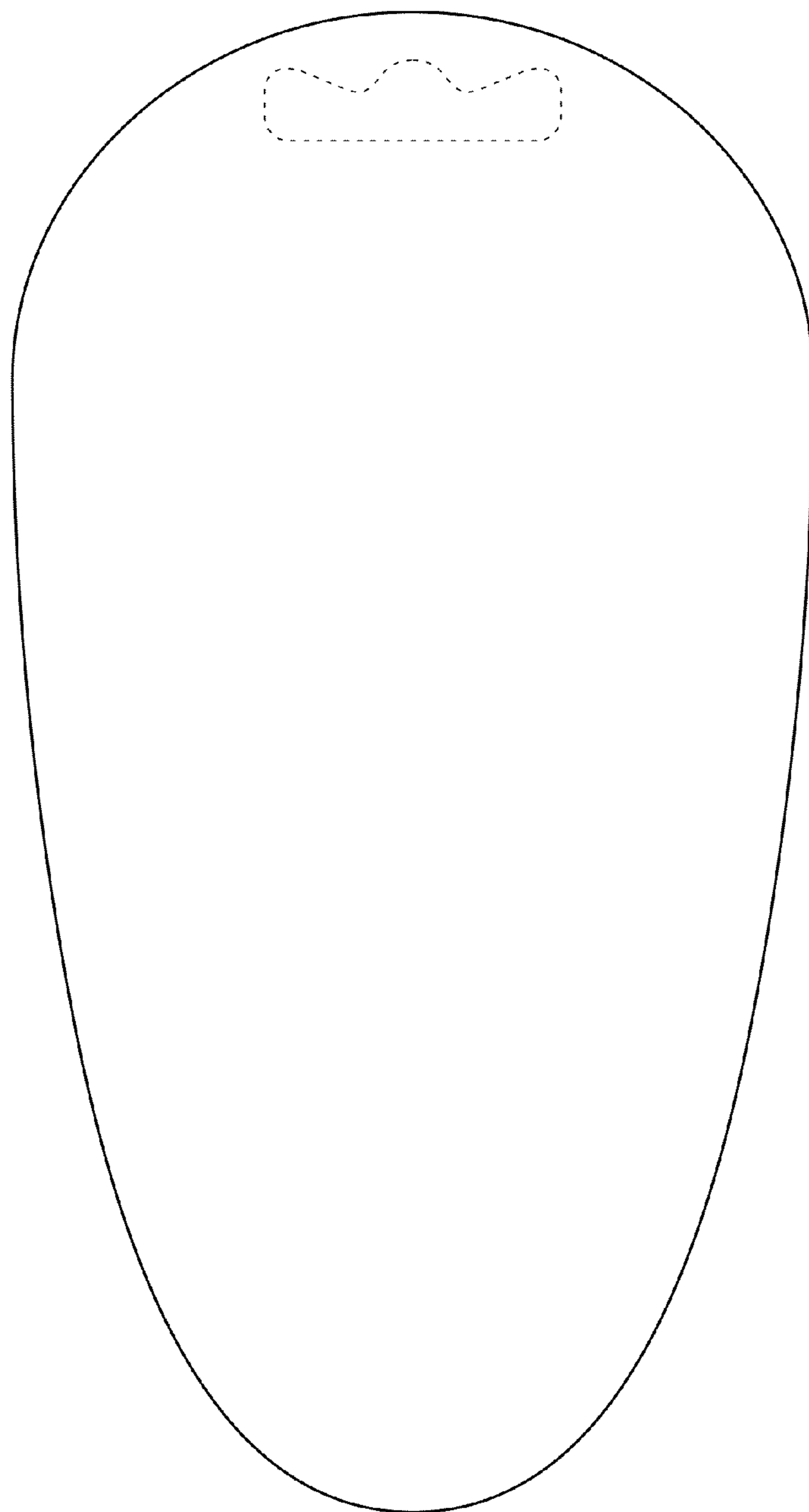


Fig. 3

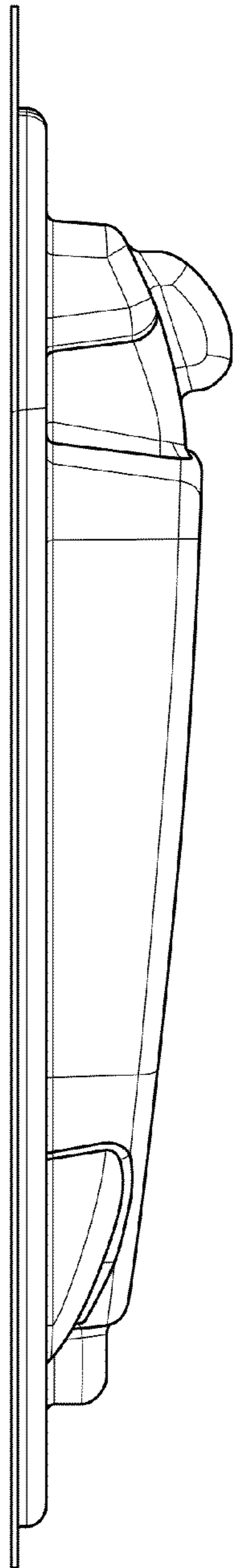


Fig. 4

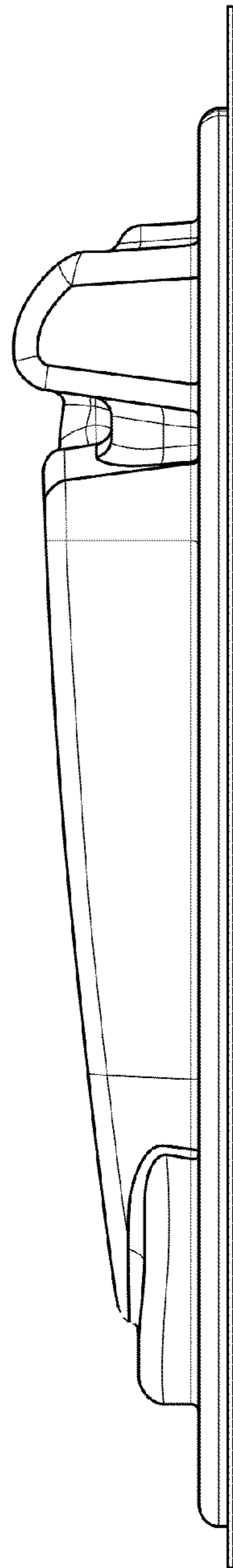


Fig. 5

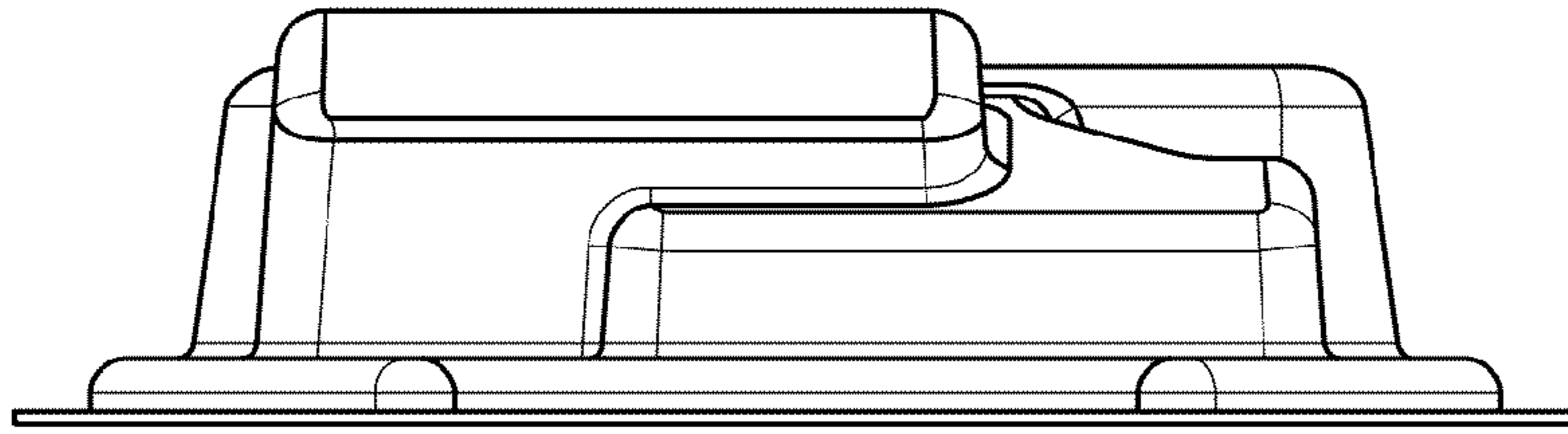


Fig. 6

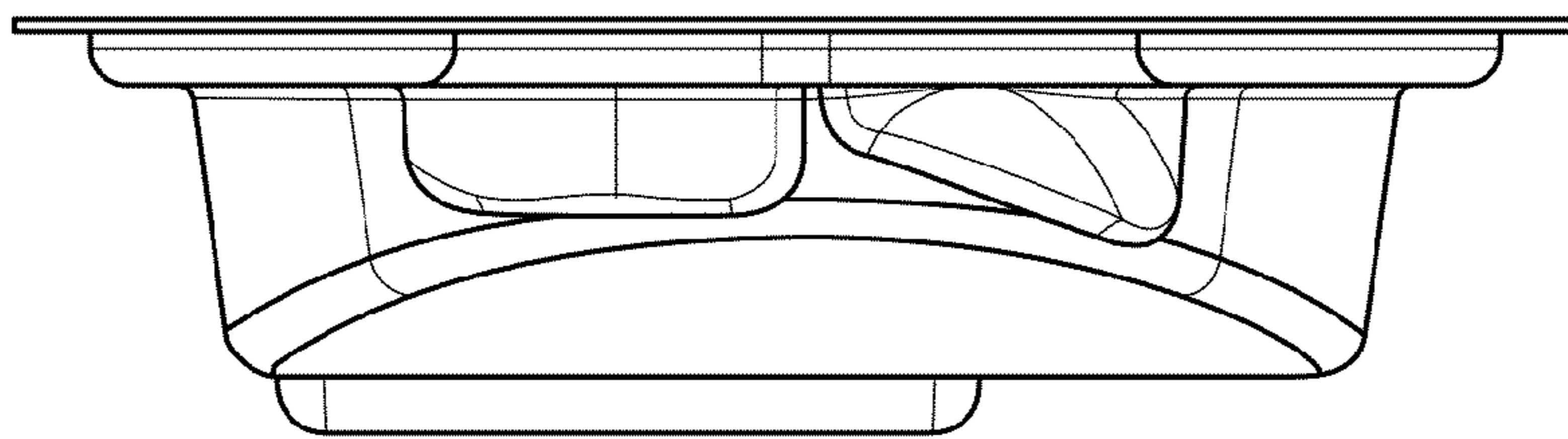


Fig. 7