



US00D754545S

(12) **United States Design Patent**
Sezanayev

(10) **Patent No.:** **US D754,545 S**
(45) **Date of Patent:** **** Apr. 26, 2016**

(54) **GOLD BAR-SHAPED CONTAINER FOR ALCOHOLIC AND NON-ALCOHOLIC BEVERAGES**

(71) Applicant: **Gabriel Sezanayev**, Flushing, NY (US)

(72) Inventor: **Gabriel Sezanayev**, Flushing, NY (US)

(**) Term: **14 Years**

(21) Appl. No.: **29/520,145**

(22) Filed: **Mar. 11, 2015**

(51) **LOC (10) Cl.** **09-01**

(52) **U.S. Cl.**
USPC **D9/529; D9/559; D9/575; D9/600; D9/445**

(58) **Field of Classification Search**

USPC **D9/529, 559, 572-575, 434-435, 438, D9/444-445**

CPC **B65D 67/00; B65D 5/425; B65D 81/363; B65D 81/365; B65D 81/366; B65D 81/368**

See application file for complete search history.

(56) **References Cited**

U.S. PATENT DOCUMENTS

D92,775 S	11/1932	Sekine	
D267,544 S	1/1983	Neto	
D273,462 S	4/1984	Mode	
D338,406 S *	8/1993	Bennebroek	D9/572
D356,502 S *	3/1995	Poandl	D9/573
D361,271 S *	8/1995	Goldstein	D9/572
D425,787 S	5/2000	Kellar	
D466,412 S *	12/2002	Baskinger	D9/529
D493,913 S	8/2004	Kwok	
D507,375 S	7/2005	Lin	
D530,603 S *	10/2006	Lohrman	D9/438
D610,463 S	2/2010	Duchaufour-Lawrance	
D637,904 S	5/2011	Anderson	

D639,669 S *	6/2011	Adler	D9/435
D643,298 S *	8/2011	Gillespie	D9/572
D643,301 S	8/2011	Consylman	
D644,108 S *	8/2011	Vila Calvo	D9/529
D670,885 S	11/2012	Merrick	
D695,620 S *	12/2013	Karekar	D9/529
D726,542 S	4/2015	Xu	
D726,967 S	4/2015	Komai	

* cited by examiner

Primary Examiner — Sandra Morris

(74) *Attorney, Agent, or Firm* — Henry M. Feiereisen LLC.

(57) **CLAIM**

The ornamental design for a gold bar-shaped container for alcoholic and non-alcoholic beverages, as shown and described.

DESCRIPTION

FIG. 1 is a perspective view of the new vodka bottle in accordance with my design;

FIG. 2 a front side view of the new vodka bottle in accordance with my design;

FIG. 3 is a rear side view of the new vodka bottle in accordance with my design;

FIG. 4 is a left side view of the new vodka bottle in accordance with my design, while a right side view thereof is identical with the left side view;

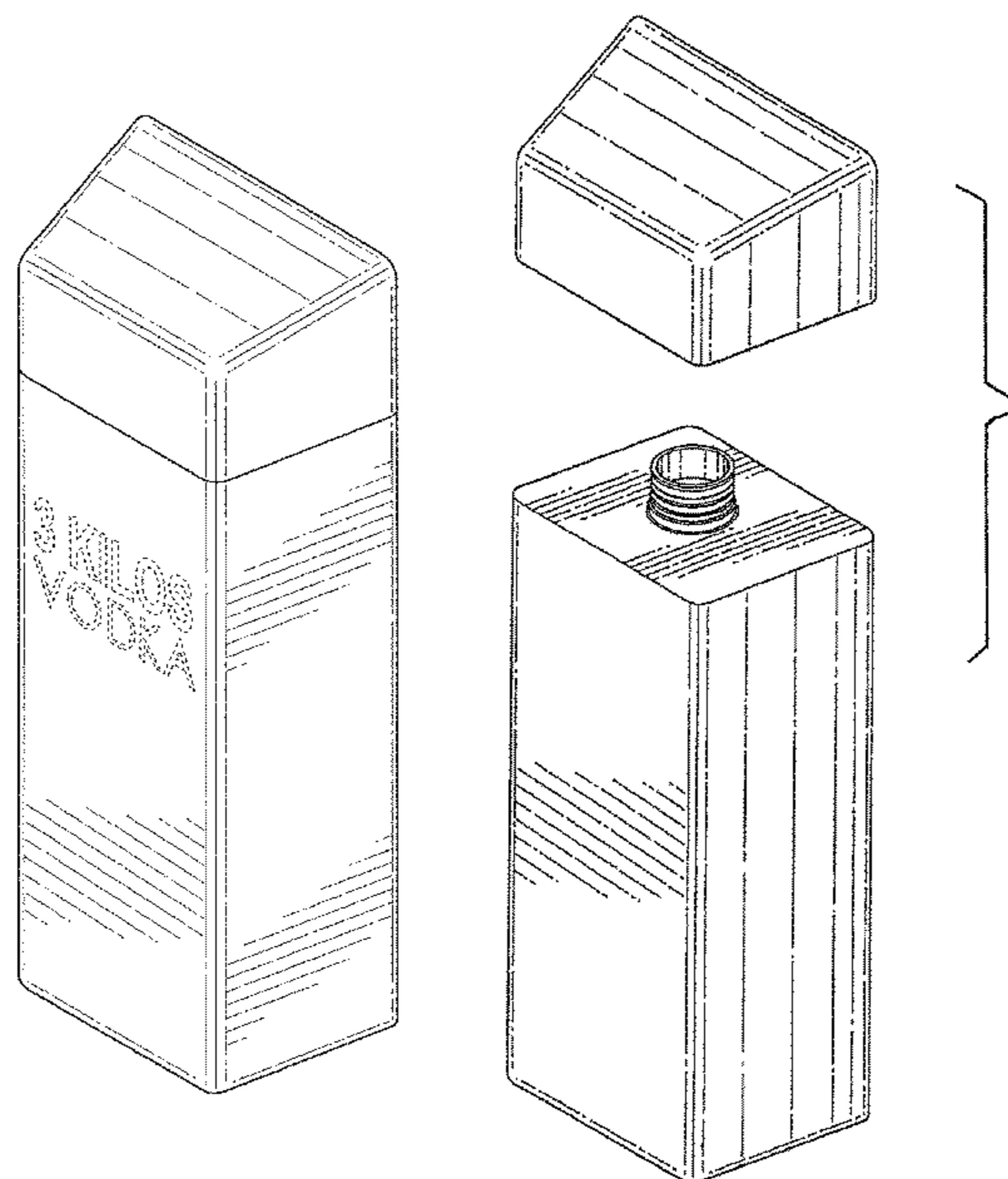
FIG. 5 is a top plan view of the new vodka bottle in accordance with my design;

FIG. 6 is a bottom plan view of the new vodka bottle in accordance with my design; and,

FIG. 7 is a perspective view of the new vodka bottle with an open lid in accordance with my design.

The broken line showing of the indicia is for illustrative purposes only, and forms no part of the claimed design.

1 Claim, 4 Drawing Sheets



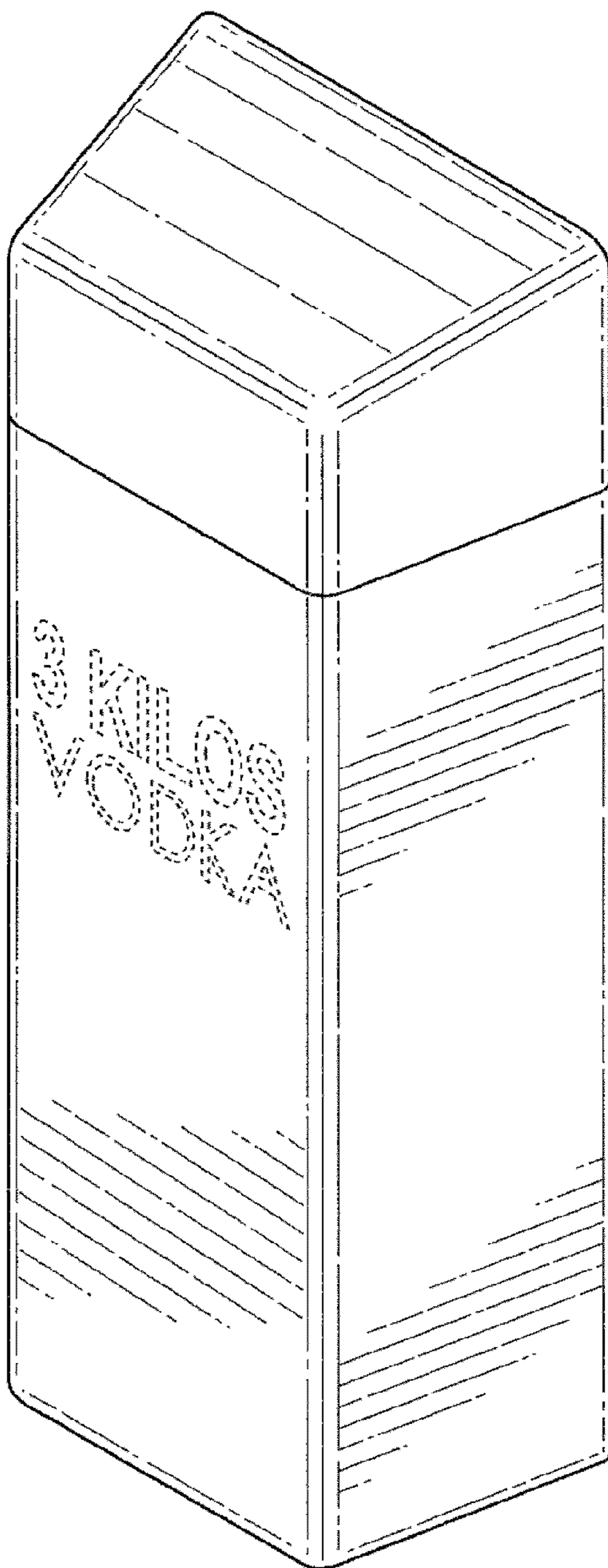


FIG. 1

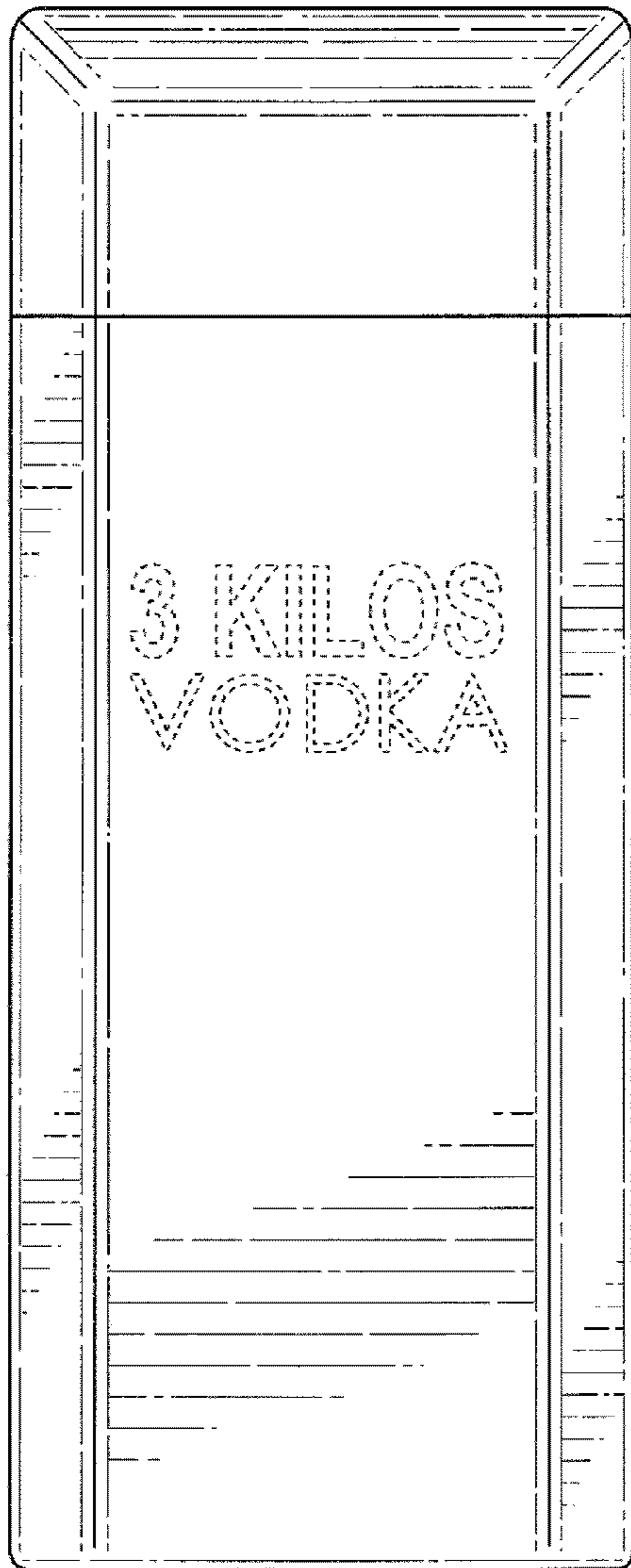


FIG. 2

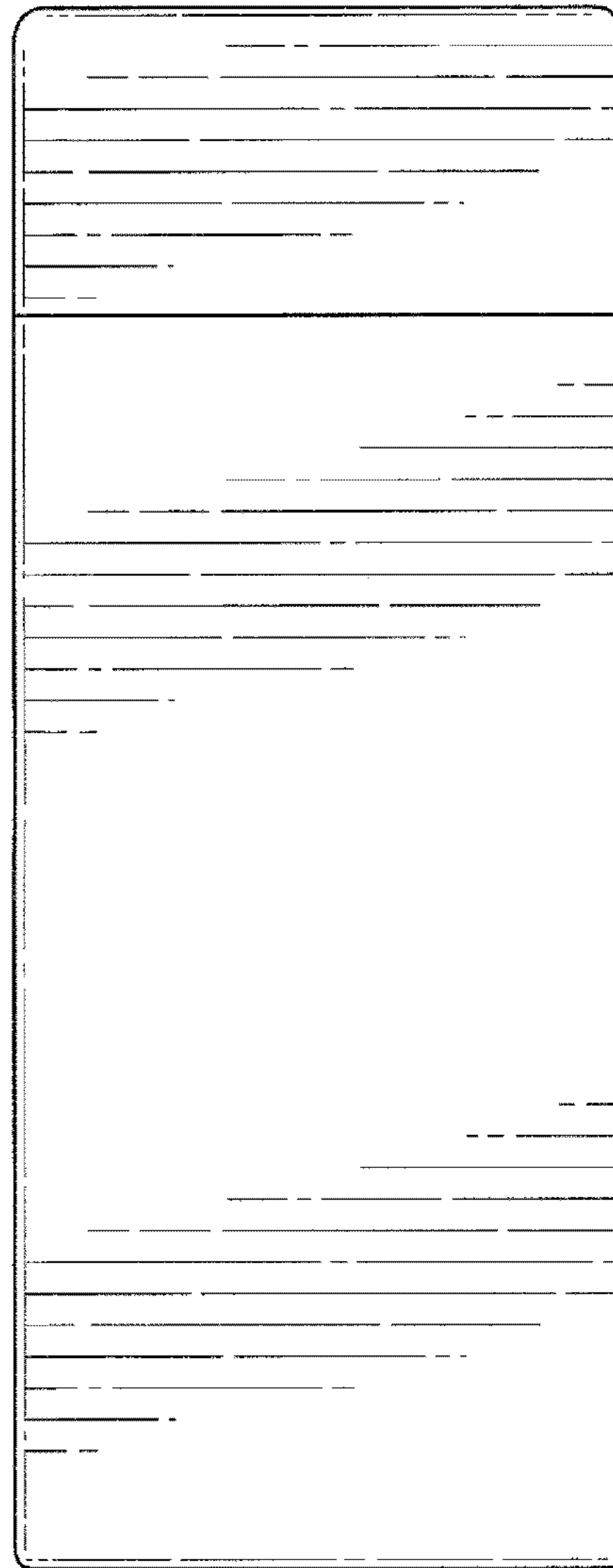


FIG. 3

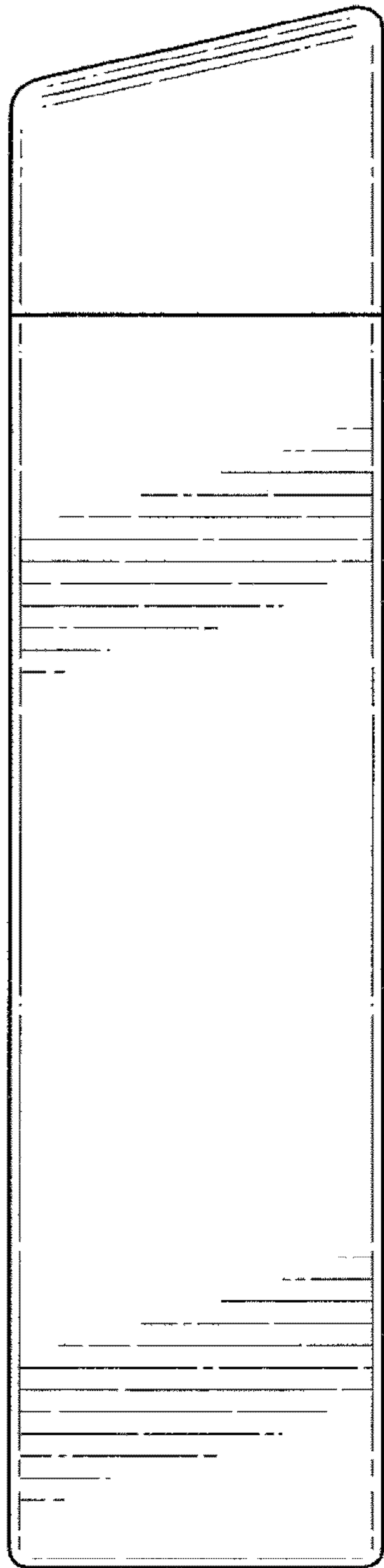


FIG. 4

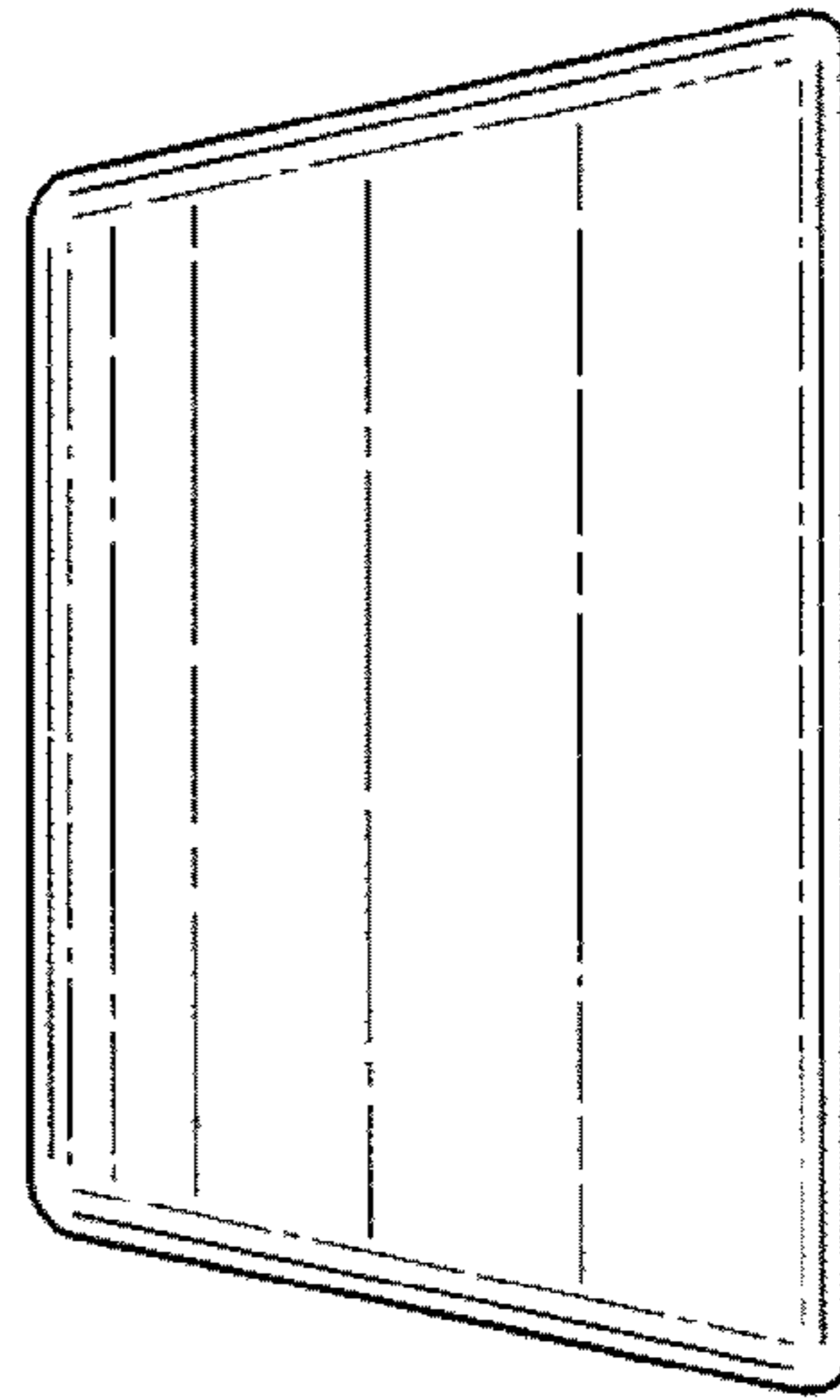


FIG. 5

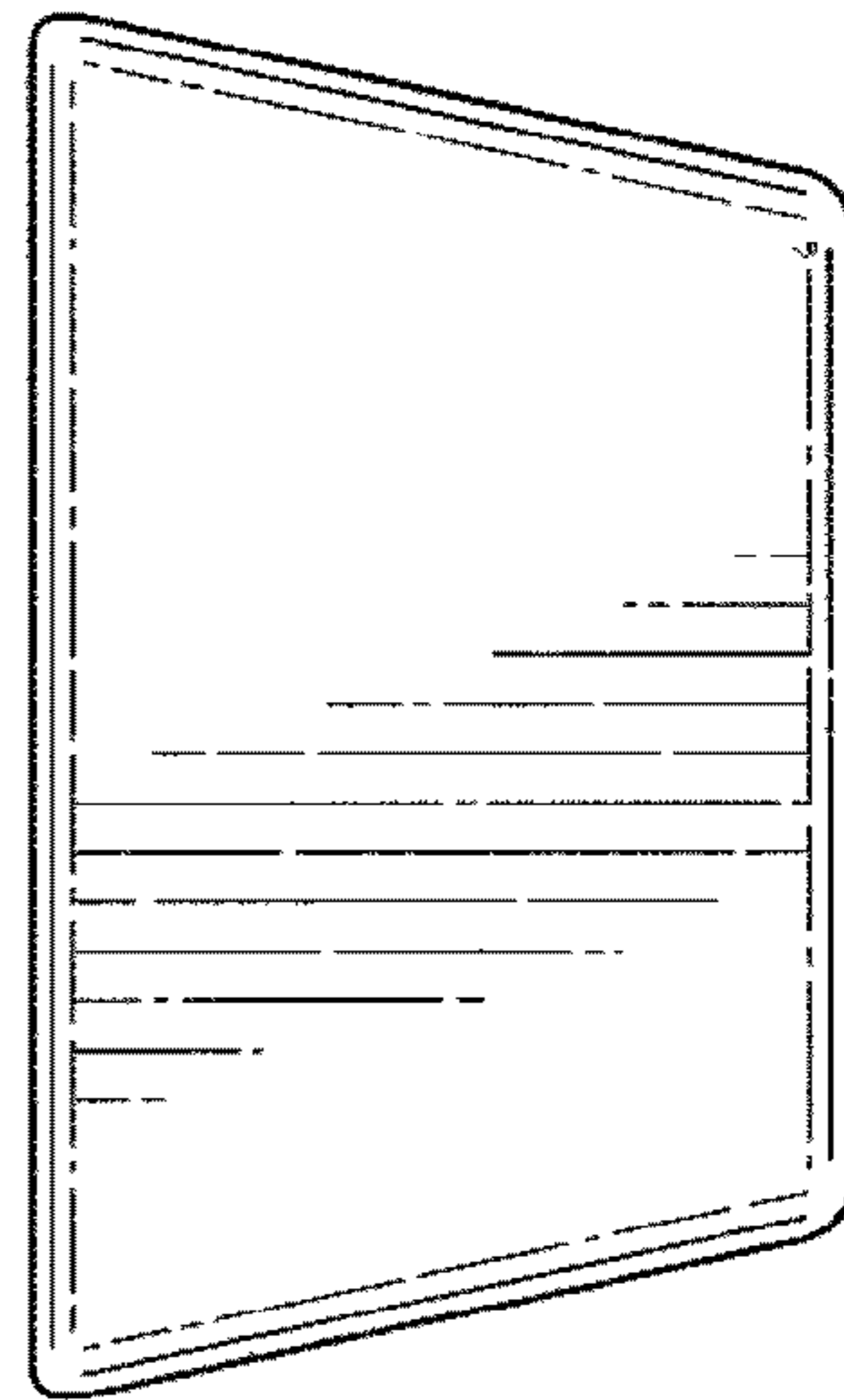


FIG. 6

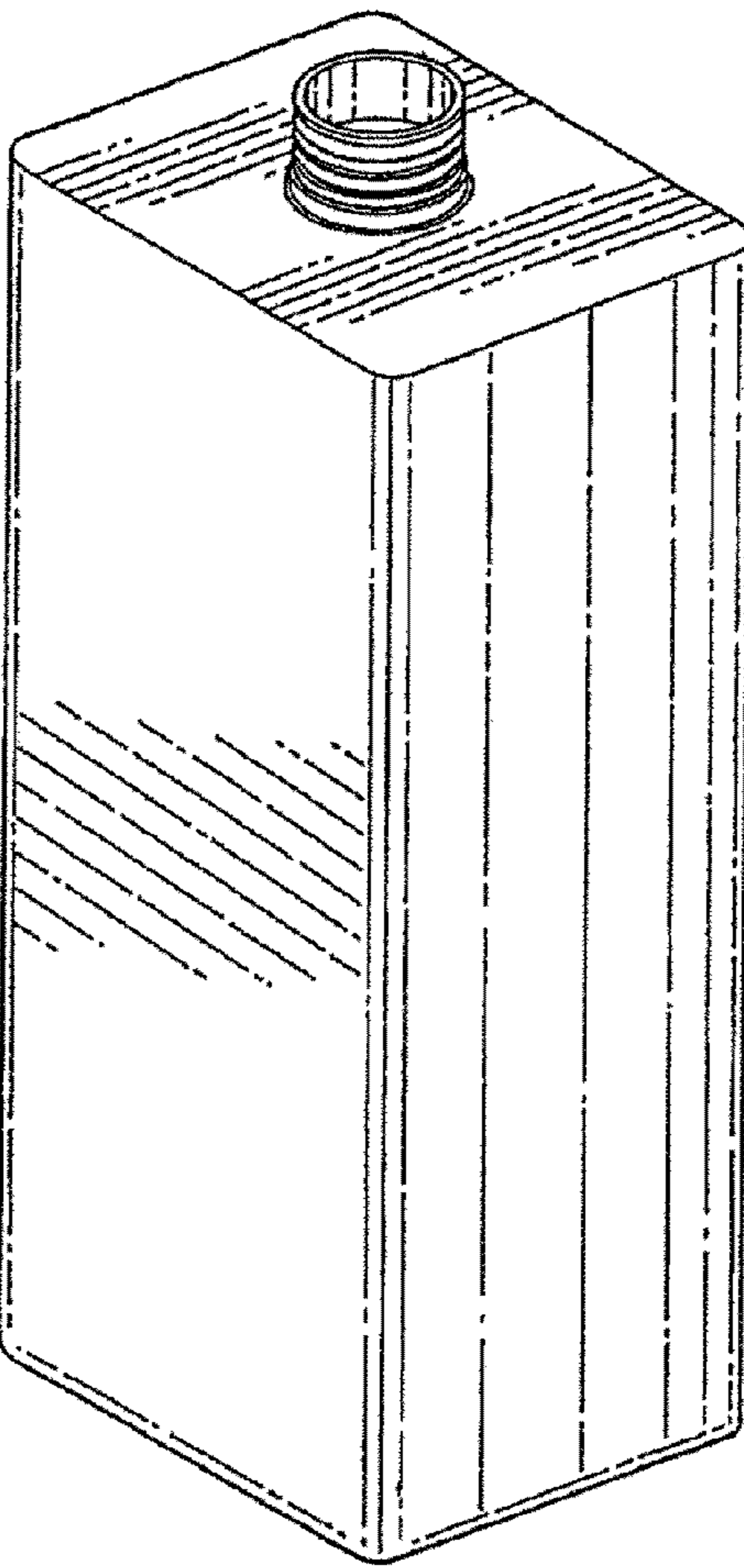
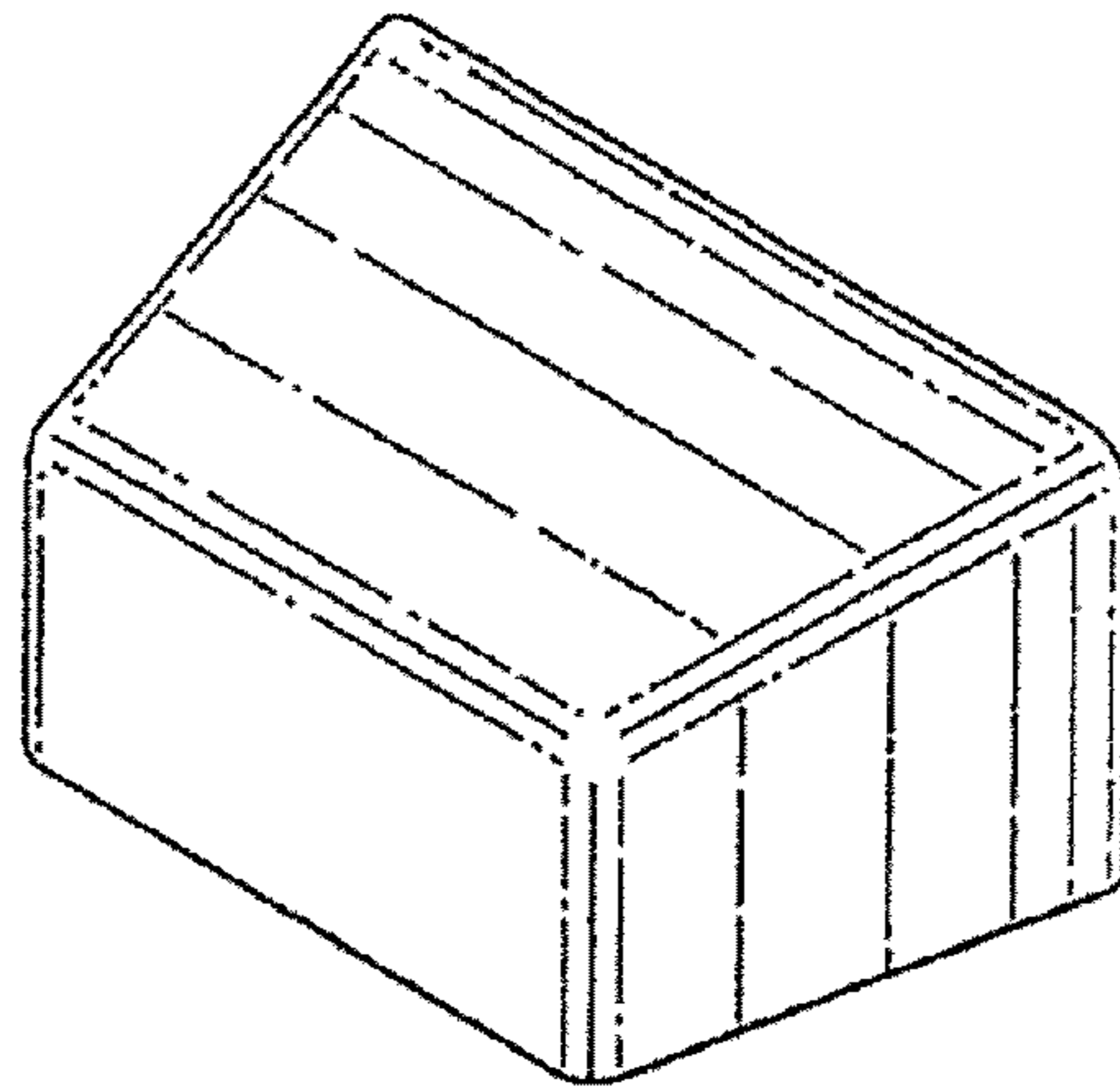


FIG. 7