



US00D754544S

(12) **United States Design Patent**
Darling et al.

(10) **Patent No.:** **US D754,544 S**
(45) **Date of Patent:** **** Apr. 26, 2016**

- (54) **BABY FOOD CONTAINER**
- (71) Applicant: **Beech-Nut Nutrition Company**,
Amsterdam, NY (US)
- (72) Inventors: **Christopher Darling**, Amsterdam, NY
(US); **Robert Harvey**, Amsterdam, NY
(US); **Jodi Breuer**, Amsterdam, NY
(US); **Brody Boyer**, Chicago, IL (US);
Kelly Frazier, Chicago, IL (US); **Eric
Staples**, Chicago, IL (US); **Michelle
Hayward**, Chicago, IL (US); **Nancy
Mines**, Chicago, IL (US)
- (73) Assignee: **Beech-Nut Nutrition Company**,
Amsterdam, NY (US)
- (**) Term: **14 Years**
- (21) Appl. No.: **29/481,993**
- (22) Filed: **Feb. 12, 2014**
- (51) **LOC (10) Cl.** **09-01**
- (52) **U.S. Cl.**
USPC **D9/503**
- (58) **Field of Classification Search**
USPC D9/500, 503-505, 516, 530, 537, 539,
D9/549, 558, 715, 719, 434-435, 454;
D7/601-602, 629-630; D24/197
CPC B65D 1/00; B65D 1/02; B65D 1/0207;
B65D 1/0223; B65D 1/10; B65D 23/00;
B65D 2501/00; B65D 2501/0009
See application file for complete search history.

(56) **References Cited**

U.S. PATENT DOCUMENTS

- 730,510 A * 6/1903 Beach 215/43
- D111,313 S * 9/1938 Titze D7/597

- D117,843 S * 11/1939 Smith D9/502
- 2,259,856 A * 10/1941 Moore 220/718
- D166,116 S * 3/1952 Menefee, Jr. D9/502
- 2,717,727 A * 9/1955 Robb 222/512
- D194,944 S * 4/1963 Frazier D26/11
- D223,996 S * 6/1972 Courreges D9/503
- D289,259 S * 4/1987 Strand D9/501
- D298,592 S * 11/1988 Stoop D9/500
- 5,165,965 A * 11/1992 Martin 427/256
- D516,429 S * 3/2006 Helps et al. D9/503
- D619,460 S * 7/2010 Beckerman D9/500
- D644,938 S * 9/2011 Saunders et al. D9/716
- D646,572 S * 10/2011 Koeleman D9/500
- D674,238 S * 1/2013 Zimmer D7/396.2
- D717,116 S * 11/2014 Aslan D7/523
- D719,448 S * 12/2014 Pires et al. D9/504
- D719,463 S * 12/2014 Pires et al. D9/691
- D729,593 S * 5/2015 Myoung D7/669

* cited by examiner

Primary Examiner — Dana L Meyrow

(74) *Attorney, Agent, or Firm* — Phillips Lytle LLP

(57) **CLAIM**

The ornamental design for a baby food container, as shown and described.

DESCRIPTION

FIG. 1 is a front perspective view of a baby food container showing the new design.

FIG. 2 is an upper perspective view thereof.

FIG. 3 is a lower perspective view thereof.

FIG. 4 is a front elevation view thereof, the rear elevation view being identical.

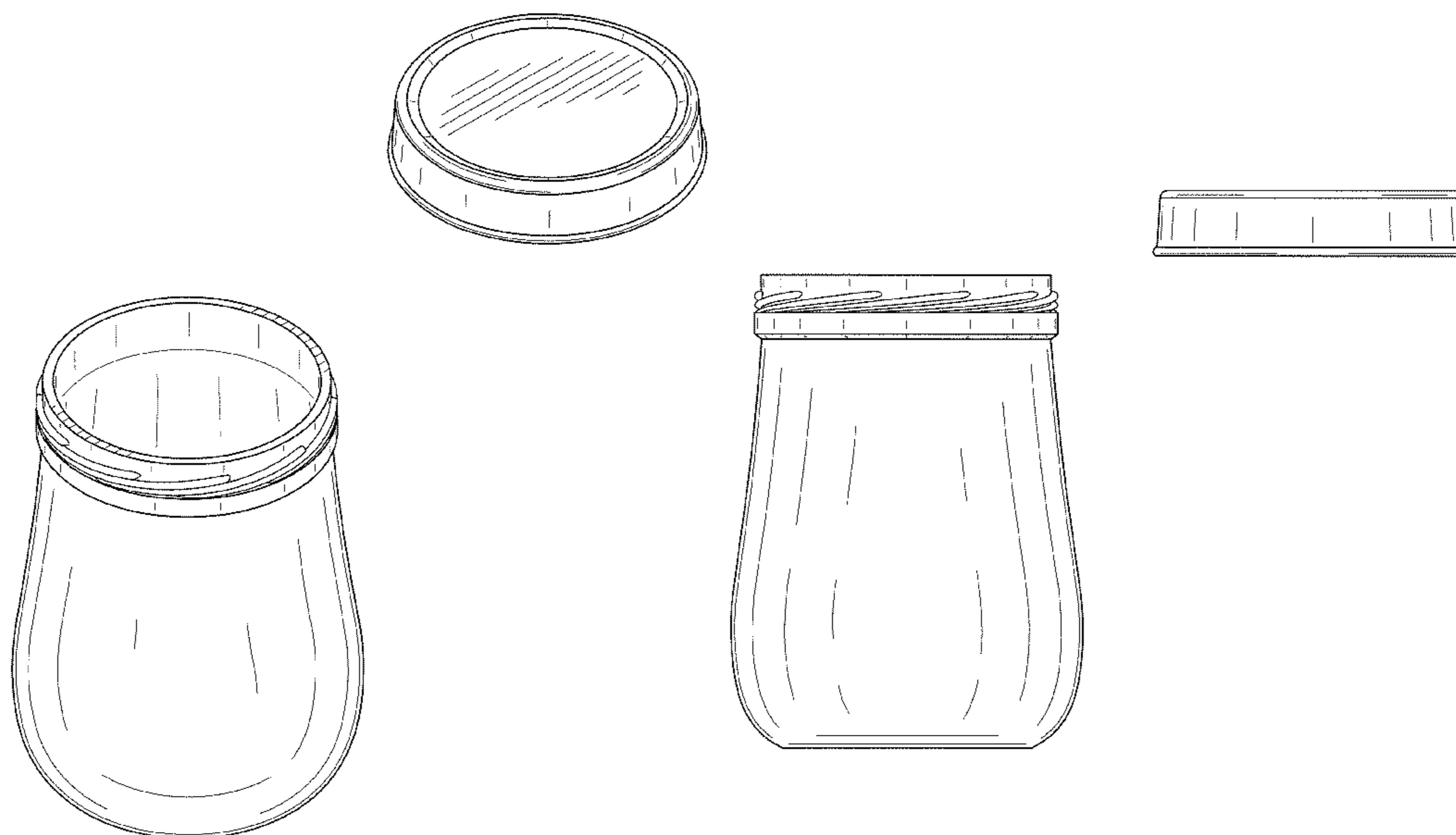
FIG. 5 is a top plan view thereof.

FIG. 6 is a bottom plan view thereof; and,

FIG. 7 is an overhead perspective view thereof.

The broken lines in the drawings illustrate the portions of the baby food container that form no part of the claim.

1 Claim, 7 Drawing Sheets



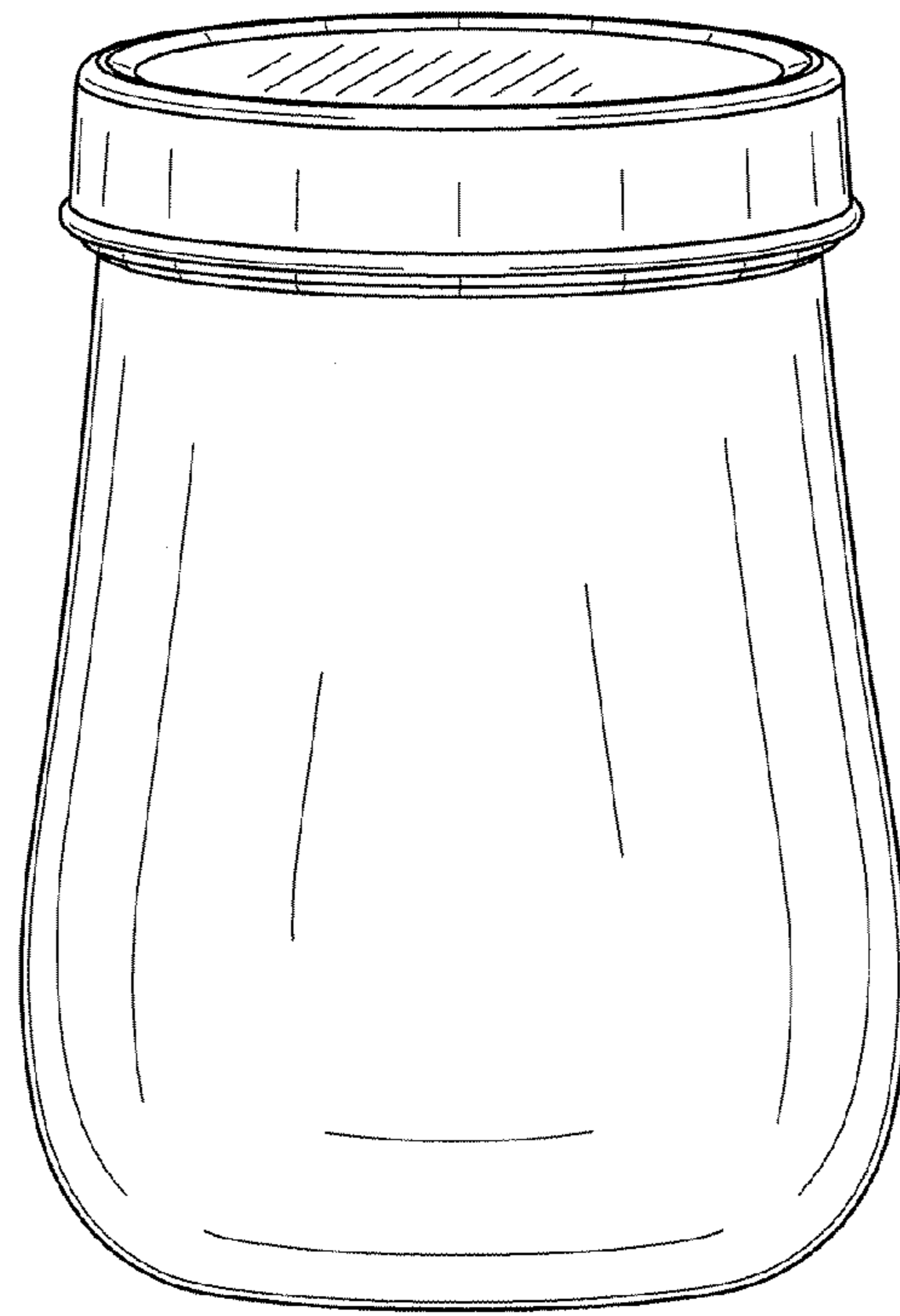


FIG. 1

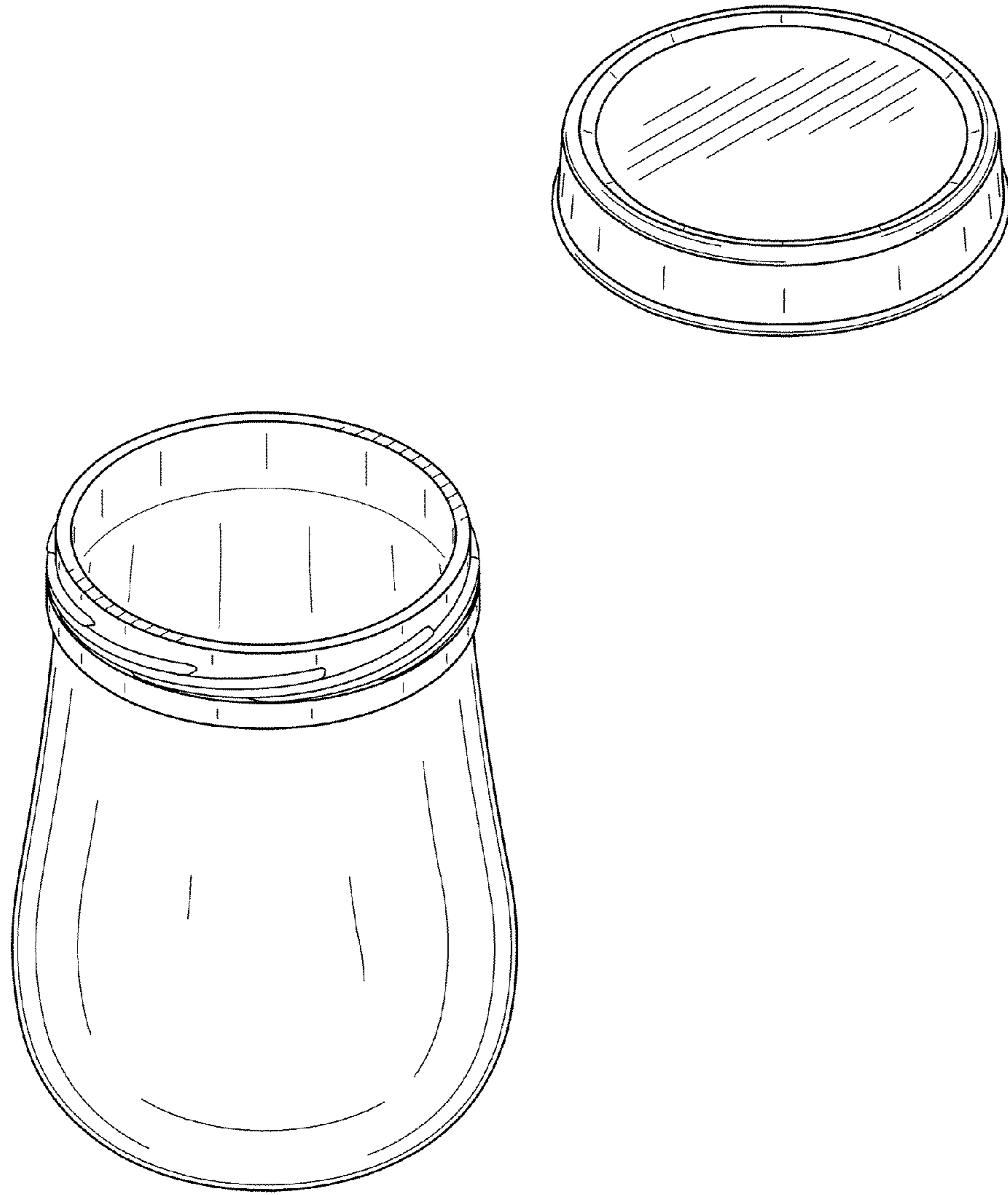


FIG. 2

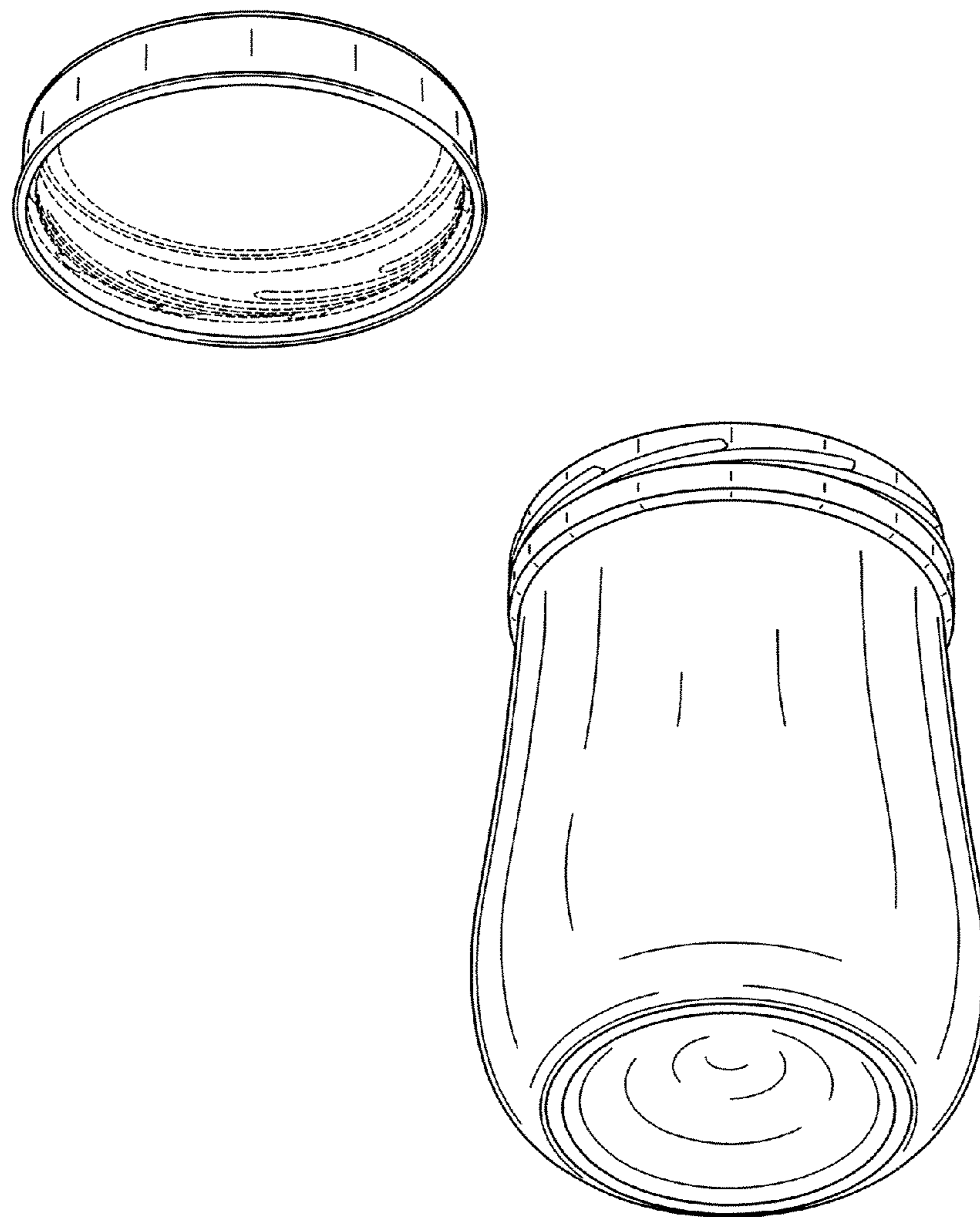


FIG. 3

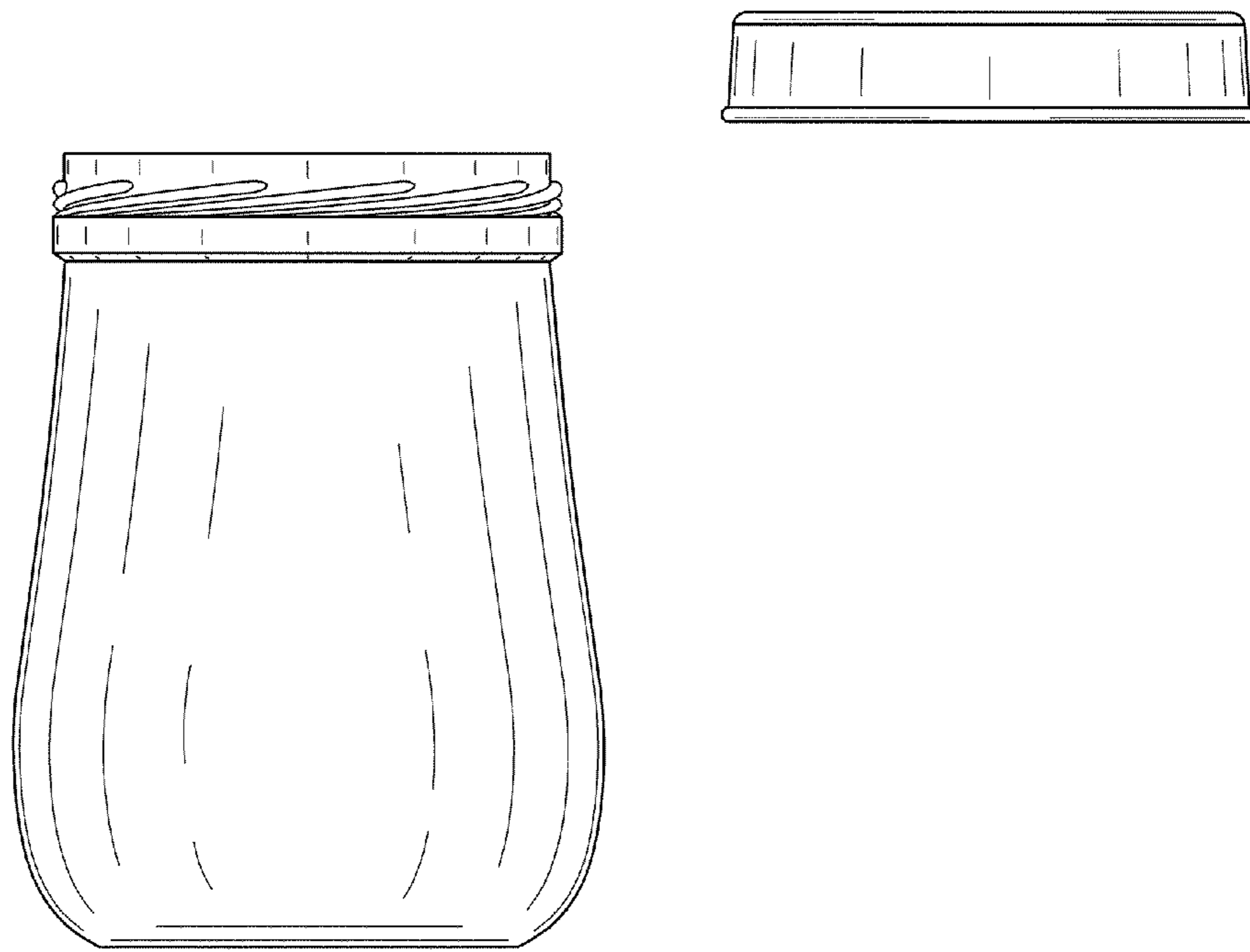


FIG. 4

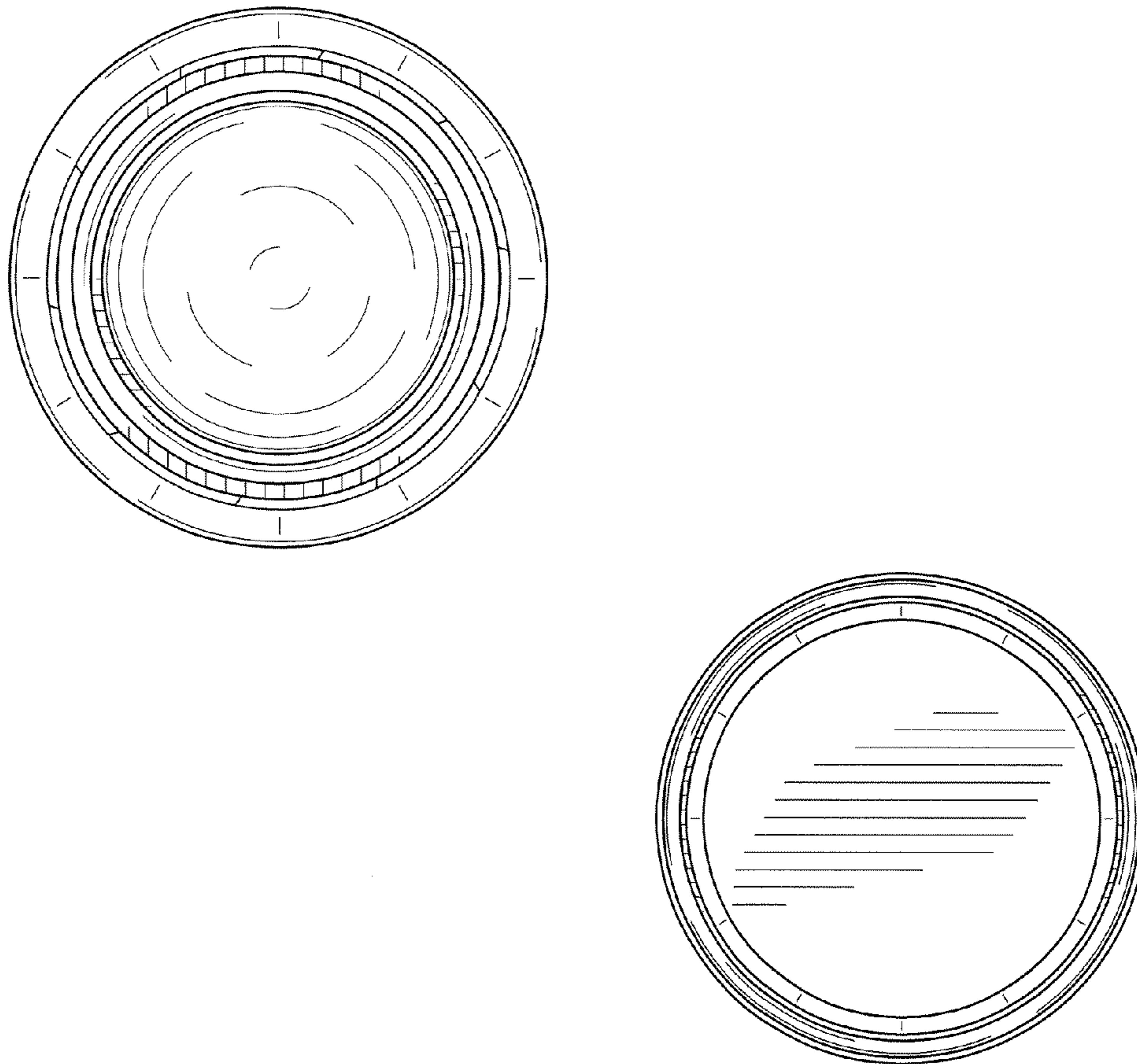


FIG. 5

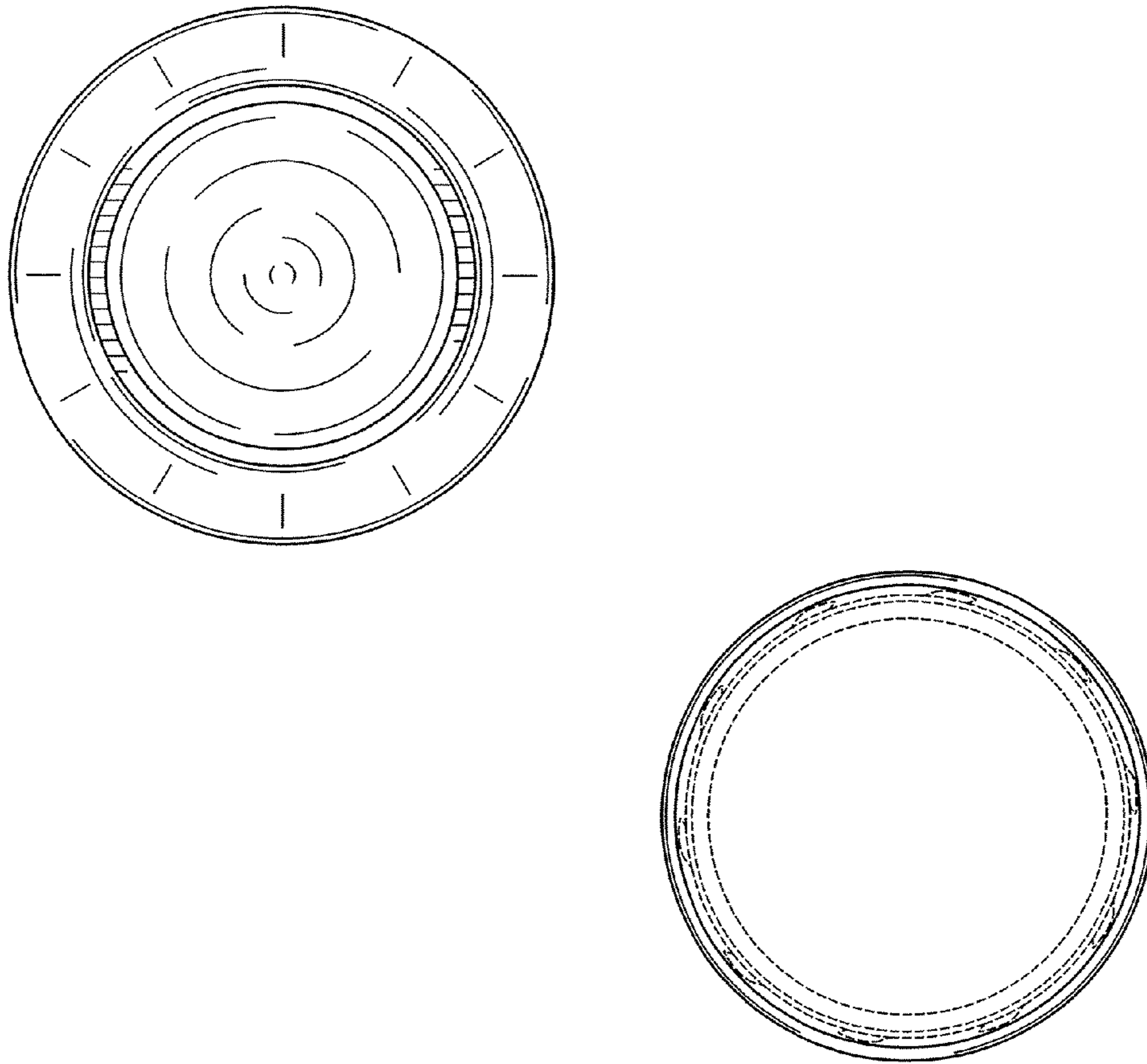


FIG. 6

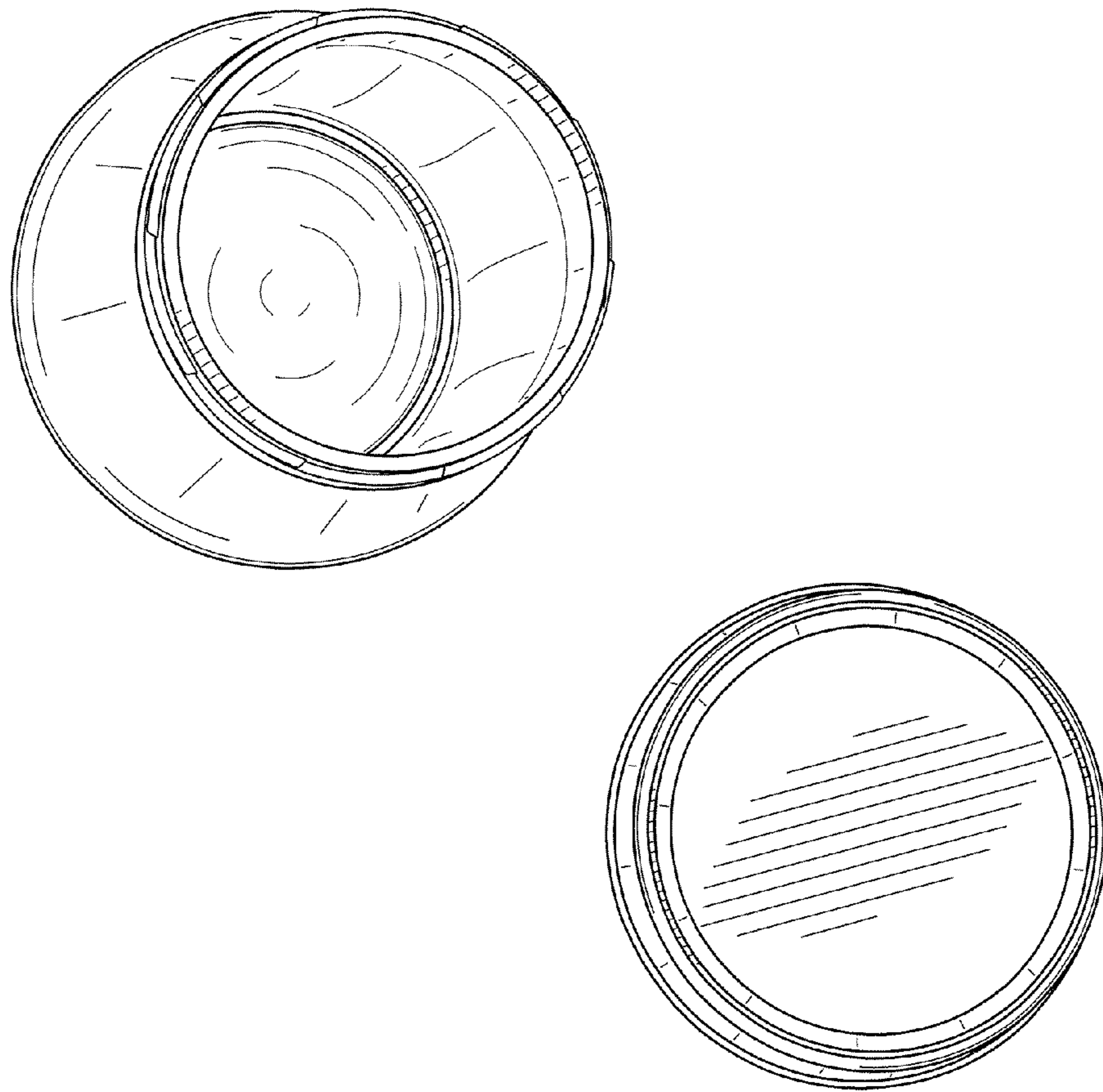


FIG. 7