



US00D754543S

(12) **United States Design Patent**
Donadee et al.

(10) **Patent No.:** **US D754,543 S**
(45) **Date of Patent:** **** Apr. 26, 2016**

(54) **DISPLAY SLEEVE FOR A CARRIER HANDLE**

(71) Applicant: **Mohawk Carpet Distribution, Inc.**,
Calhoun, GA (US)

(72) Inventors: **Jacob Donadee**, Philadelphia, PA (US);
Gregg Hlade, West Deptford, NJ (US);
Joseph Roan, Media, PA (US); **Sean E. Monahan**,
Audubon, NJ (US); **Ivan Letinic**, Manalapan, NJ (US)

(73) Assignee: **Mohawk Carpet Distribution, Inc.**,
Calhoun, GA (US)

(**) Term: **14 Years**

(21) Appl. No.: **29/510,186**

(22) Filed: **Nov. 25, 2014**

(51) **LOC (10) Cl.** **09-07**

(52) **U.S. Cl.**
USPC **D9/455**; D9/434; D20/44

(58) **Field of Classification Search**
USPC D7/387, 395, 632; D8/373, 376, 380,
D8/394; D9/434, 435, 436, 437, 443, 444,
D9/445, 455, 456, 457, 499; D20/44, 99;
D32/45; 40/603, 606.13, 610, 617;
215/396; 220/4.26; 292/87; D3/315
CPC G09F 7/18; G09F 15/0018
See application file for complete search history.

(56) **References Cited**

U.S. PATENT DOCUMENTS

D150,466 S * 8/1948 Schuler D20/44
D215,697 S * 10/1969 Toder D25/119
D264,689 S * 6/1982 Miller D9/434
D276,596 S * 12/1984 Kisha 24/30.5 P
D353,277 S * 12/1994 Irvin D8/373
5,718,402 A * 2/1998 Hoffman G09F 7/10
248/205.3
D398,029 S * 9/1998 Falls D20/44
D417,607 S * 12/1999 Vining D25/119

D443,198 S * 6/2001 Snyder D25/164
6,450,471 B1 * 9/2002 Wear A47G 1/0611
24/563
D510,602 S * 10/2005 Wasilko D20/44
D512,104 S * 11/2005 Lowry D20/44
D526,887 S * 8/2006 Remmers D8/373
D552,975 S * 10/2007 Ahlund D8/381
D584,867 S * 1/2009 Zach D32/35
D682,661 S * 5/2013 Fitzpatrick D8/354
D724,153 S * 3/2015 Sacks D20/44
9,133,979 B2 * 9/2015 Dewaele F16M 13/02

* cited by examiner

Primary Examiner — Robert M Spear

Assistant Examiner — Darcey E Heflin

(74) *Attorney, Agent, or Firm* — Alston & Bird LLP

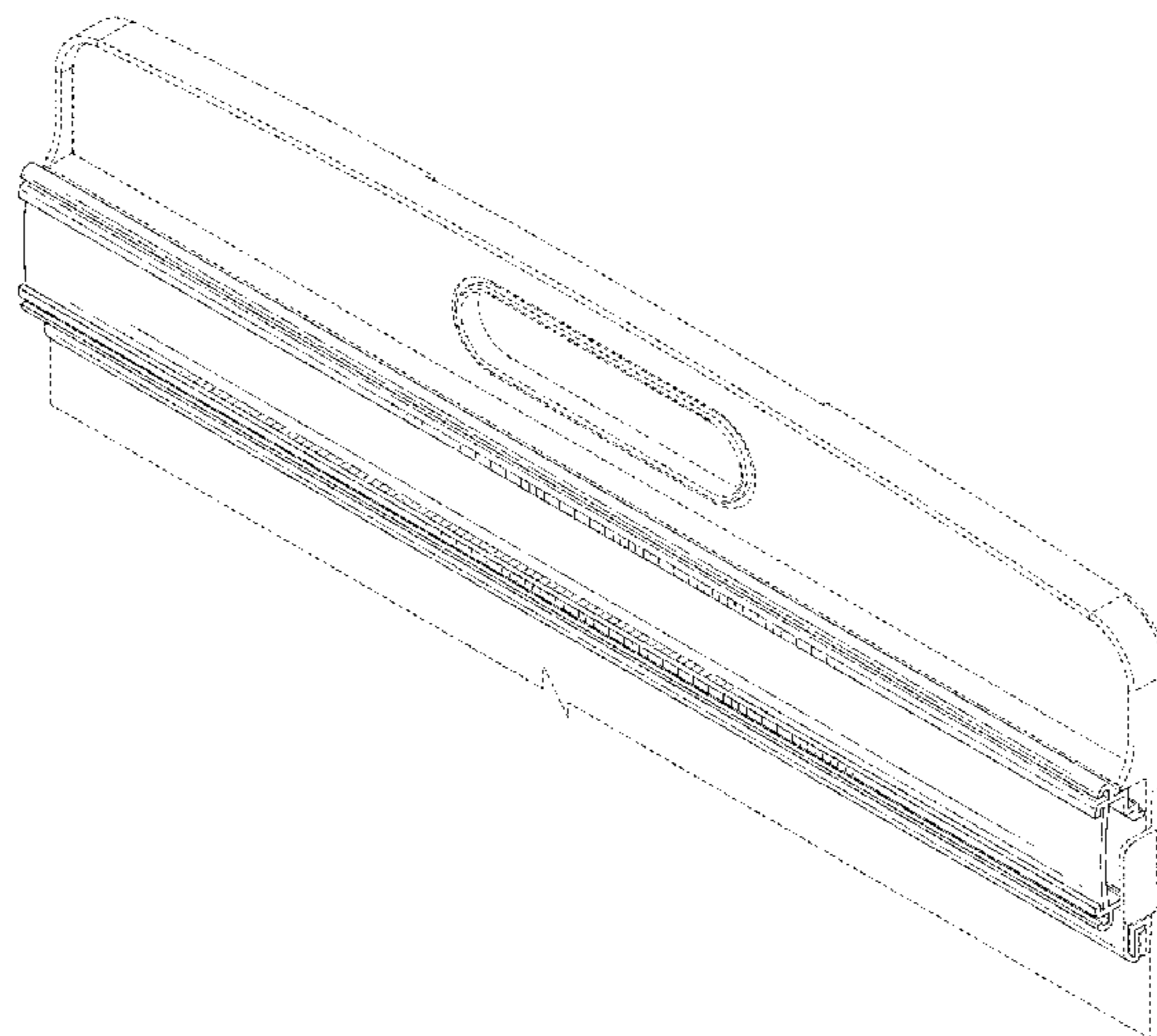
(57) **CLAIM**

The ornamental design for a display sleeve for a carrier handle, as shown and described.

DESCRIPTION

FIG. 1 is a perspective view of a display sleeve for a carrier handle in an environment of use according to our invention; FIG. 2 is a front perspective view of a display sleeve for a carrier handle according to our invention; FIG. 3 is a front plan view of the display sleeve for a carrier handle in FIG. 2; FIG. 4 is a rear plan view of the display sleeve for a carrier handle in FIG. 2; FIG. 5 is a right side elevation of the display sleeve for a carrier handle in FIG. 2; FIG. 6 is a left side elevation of the display sleeve for a carrier handle in FIG. 2; FIG. 7 is a top plan view of the display sleeve for a carrier handle in FIG. 2; and, FIG. 8 is a bottom plan view of the display sleeve for a carrier handle in FIG. 2. In the drawings, the broken lines depict environmental subject matter only that forms no part of the claim.

1 Claim, 5 Drawing Sheets



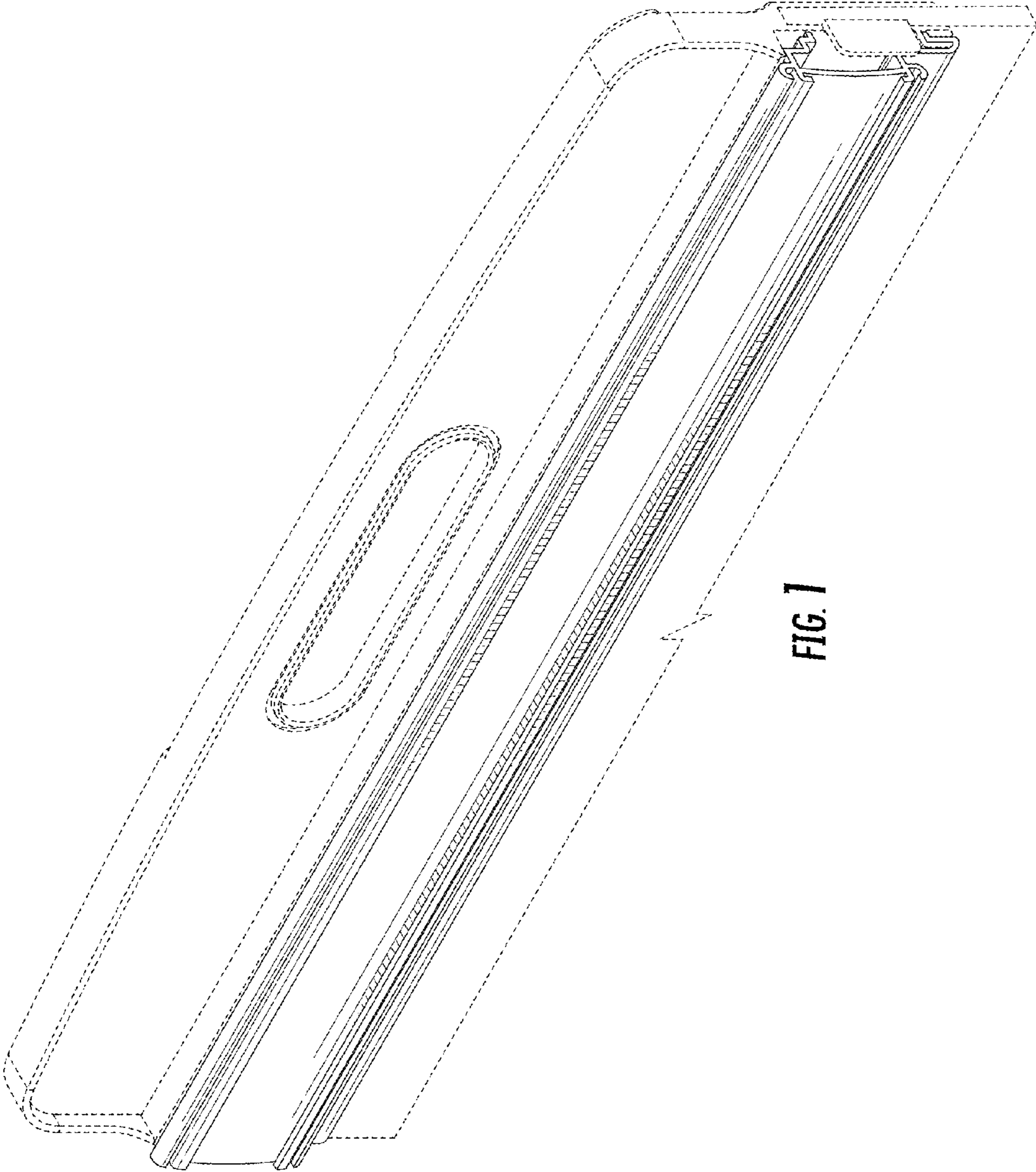


FIG. 1

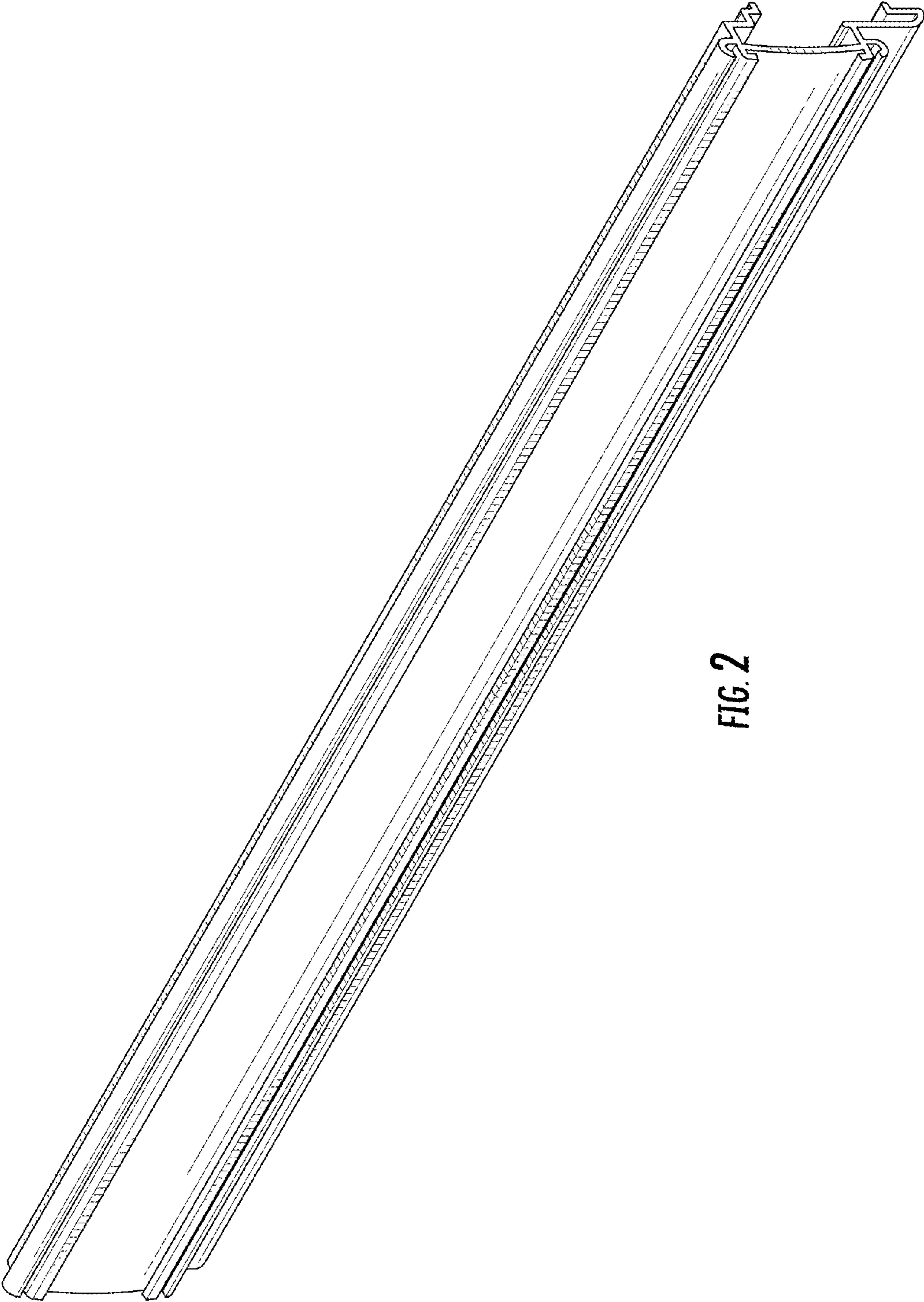


FIG. 2

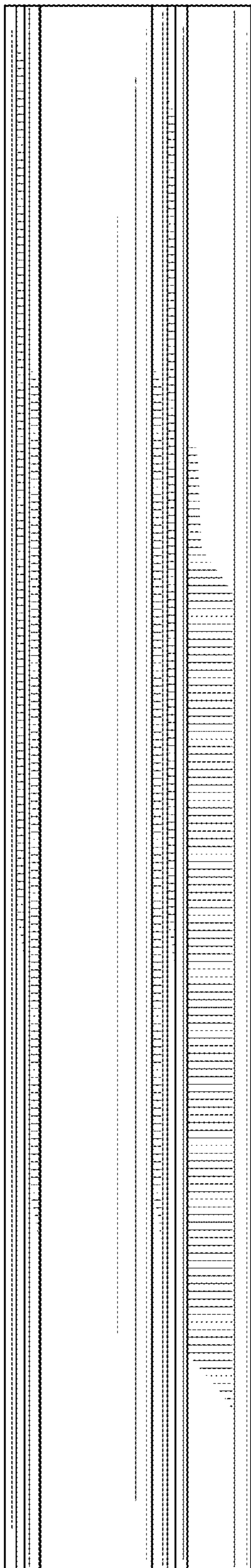


FIG. 3

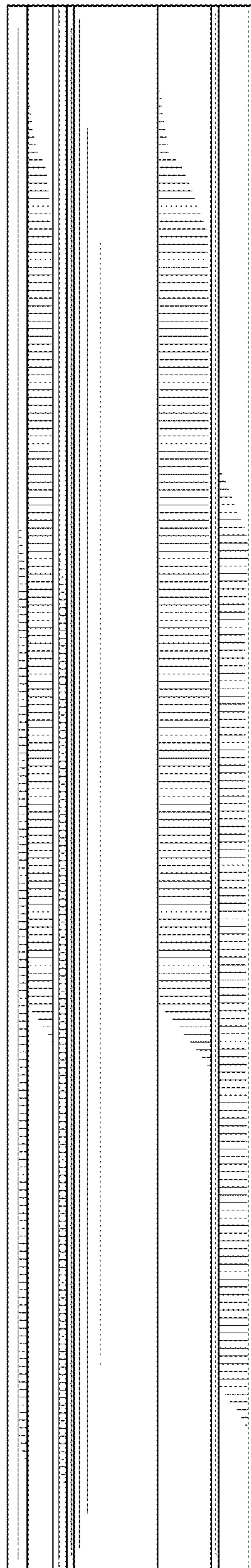


FIG. 4

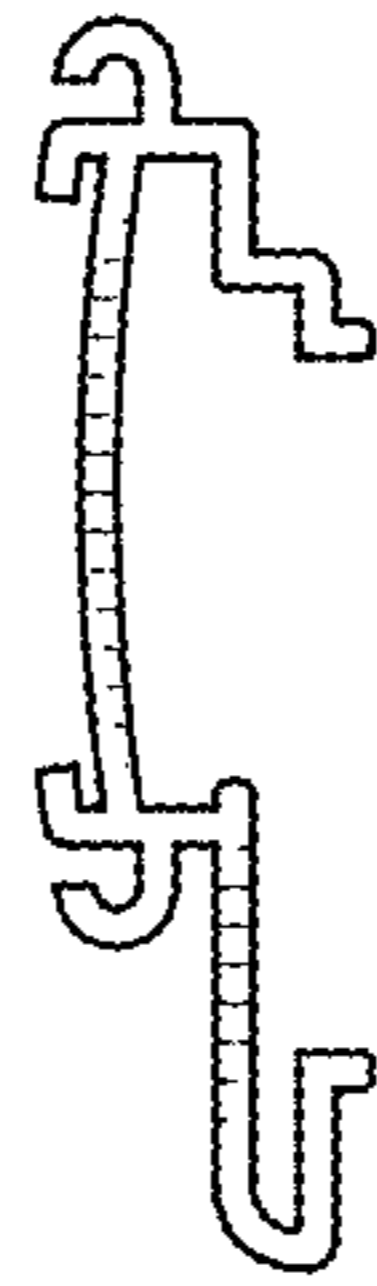


FIG. 5

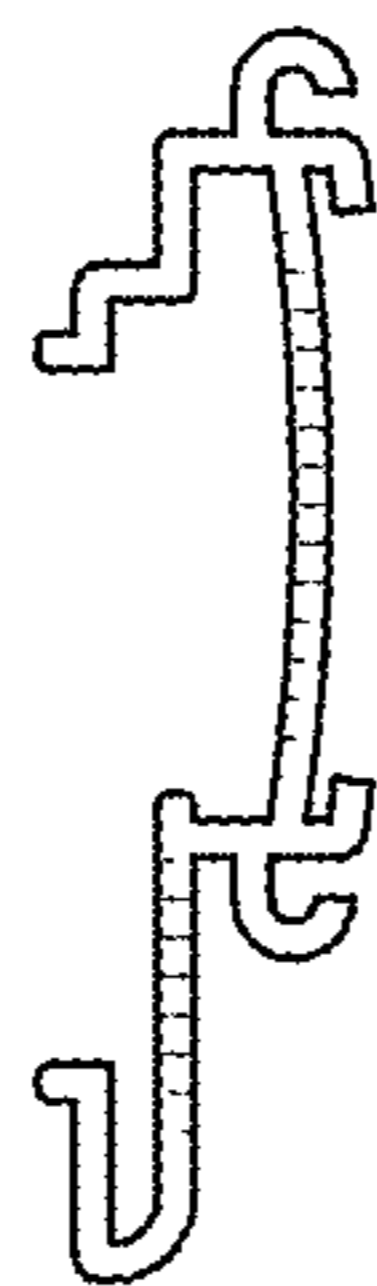


FIG. 6

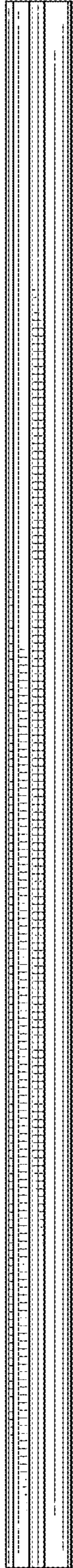


FIG. 7

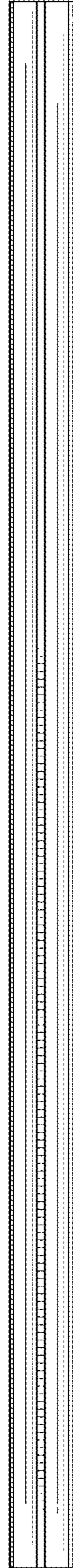


FIG. 8