



US00D754542S

(12) **United States Design Patent**
Shaw

(10) **Patent No.:** **US D754,542 S**
(45) **Date of Patent:** **** Apr. 26, 2016**

(54) **DRYWALL MUD DISPENSER CLOSURE**

(71) Applicant: **Todd Shaw**, Ayrshire, IA (US)

(72) Inventor: **Todd Shaw**, Ayrshire, IA (US)

(**) Term: **14 Years**

(21) Appl. No.: **29/501,984**

(22) Filed: **Sep. 10, 2014**

(51) **LOC (10) Cl.** **09-07**

(52) **U.S. Cl.**
USPC **D9/454**

(58) **Field of Classification Search**
USPC D3/203.2; D7/387, 398; D8/45, 352,
D8/397, 399; D9/434-436, 440, 443, 445,
D9/447, 452, 457, 499, 772, 773, 775;
D23/259; D24/215; 141/329; 401/48;
604/413

CPC B05C 17/0052
See application file for complete search history.

(56) **References Cited**

U.S. PATENT DOCUMENTS

D52,480	S	*	9/1918	Hoffman	D9/772
2,533,715	A		11/1946	Conklin et al.		
2,816,550	A	*	12/1957	Hudson	A61J 1/2096 604/413
3,363,762	A		1/1968	Ensign		
D229,698	S	*	12/1973	Kretzer	D9/741
4,114,654	A		9/1978	Richardson		
4,178,966	A		12/1979	Savor et al.		
4,646,816	A		3/1987	Rothstein		
5,022,437	A		6/1991	Potz et al.		
5,437,310	A		8/1995	Cunningham		

D433,332	S	*	11/2000	Weber	D9/434
6,170,530	B1		1/2001	Steblina		
7,314,065	B1		1/2008	Adelman		
D595,570	S	*	7/2009	Moretti	D9/434
D620,358	S	*	7/2010	Jewett	D9/439
D671,406	S	*	11/2012	Sawicki	D9/434
D678,771	S	*	3/2013	Kawamura	D9/452
D684,455	S	*	6/2013	Relyea	D8/397
D710,196	S	*	8/2014	Ivosevic	D9/445
D717,405	S	*	11/2014	Coronado	D23/259
D724,944	S	*	3/2015	Epstein	D9/445
D741,502	S	*	10/2015	Gomez	D24/215
2012/0118547	A1		5/2012	Al-Otaibi		

* cited by examiner

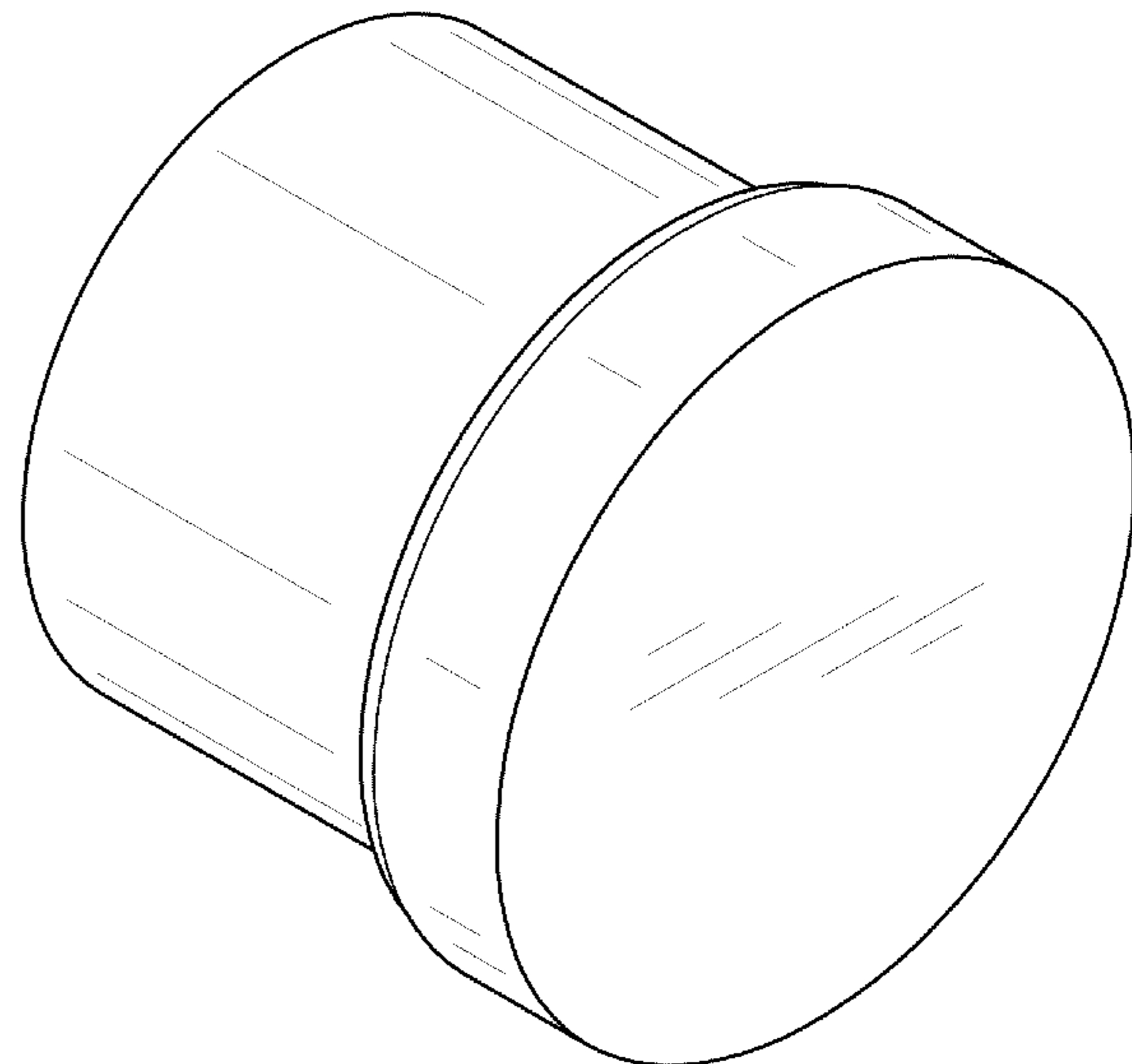
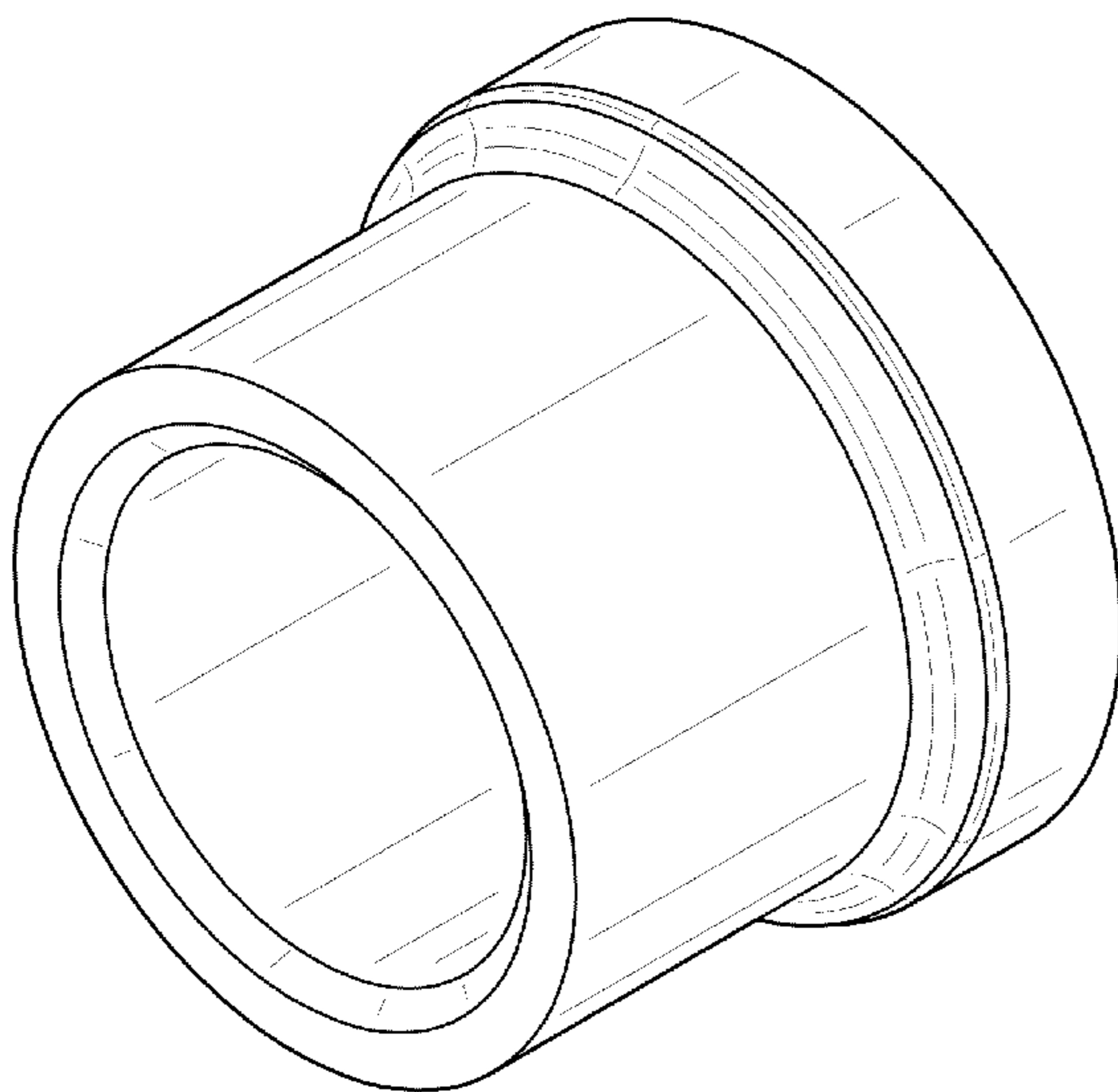
Primary Examiner — Robert M Spear
Assistant Examiner — Darcey E Heflin

(57) **CLAIM**
The ornamental design for a drywall mud dispenser closure, as shown and described.

DESCRIPTION

FIG. 1 is a bottom perspective view of a drywall mud dispenser closure showing my new design;
FIG. 2 is a top perspective view of the drywall mud dispenser closure;
FIG. 3 is a right side view of the drywall mud dispenser closure, a left side view being a mirror image thereof;
FIG. 4 is a bottom view of the drywall mud dispenser closure; and,
FIG. 5 is a cross-sectional view of the drywall mud dispenser closure taken along line 5-5 of FIG. 4 to indicate a depth of a well extending into the drywall mud dispenser closure.

1 Claim, 3 Drawing Sheets



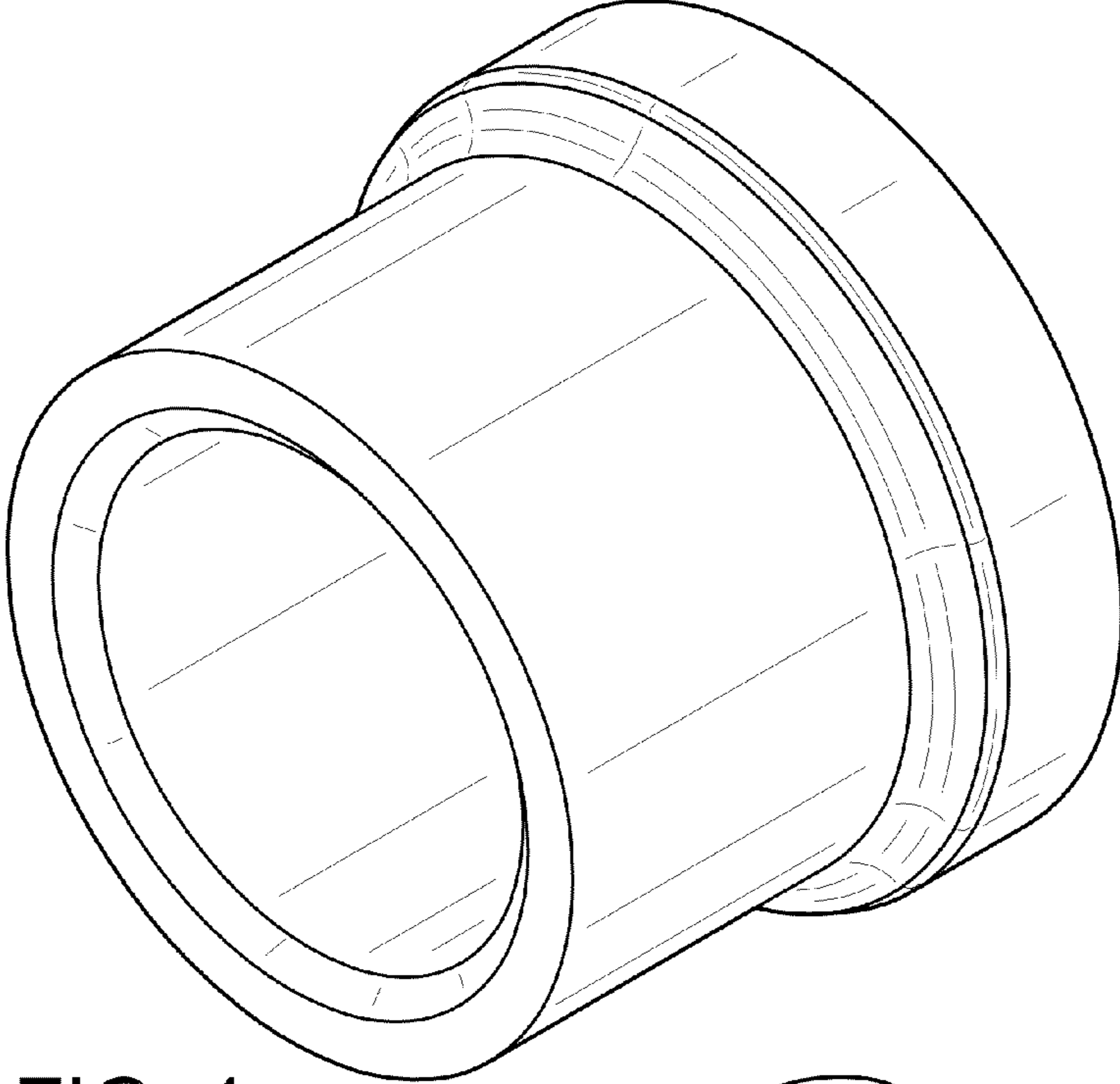


FIG. 1

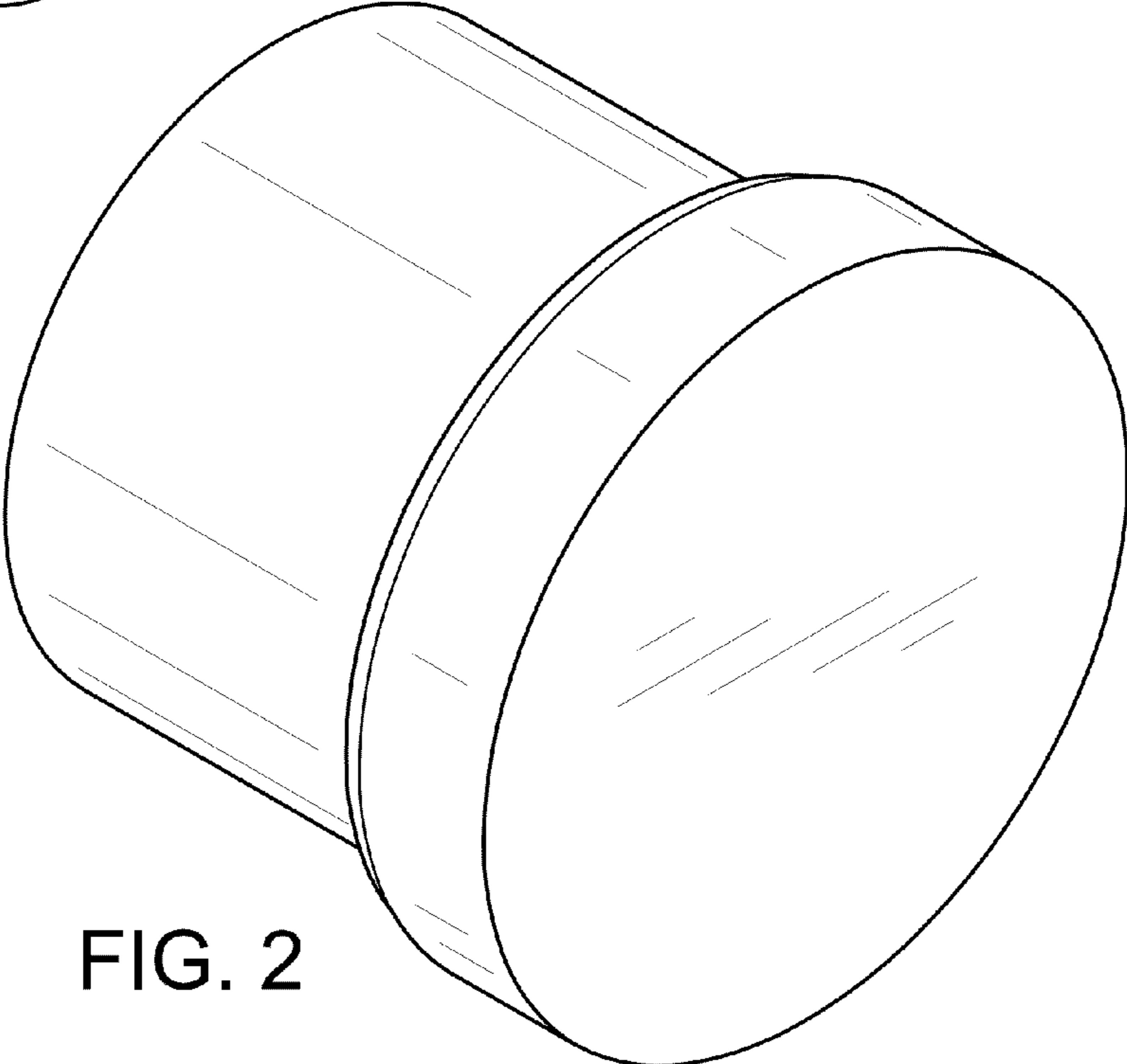


FIG. 2

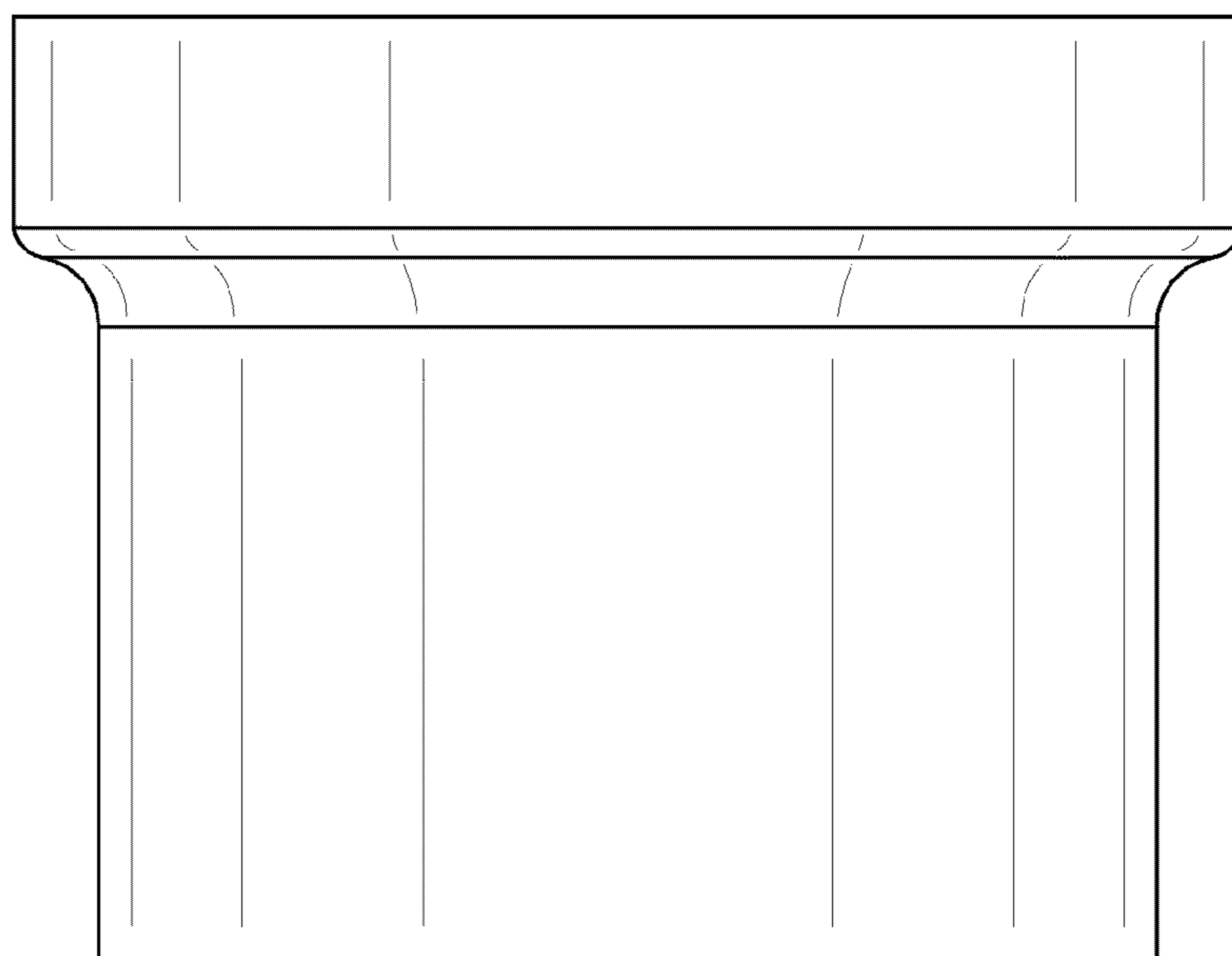


FIG. 3

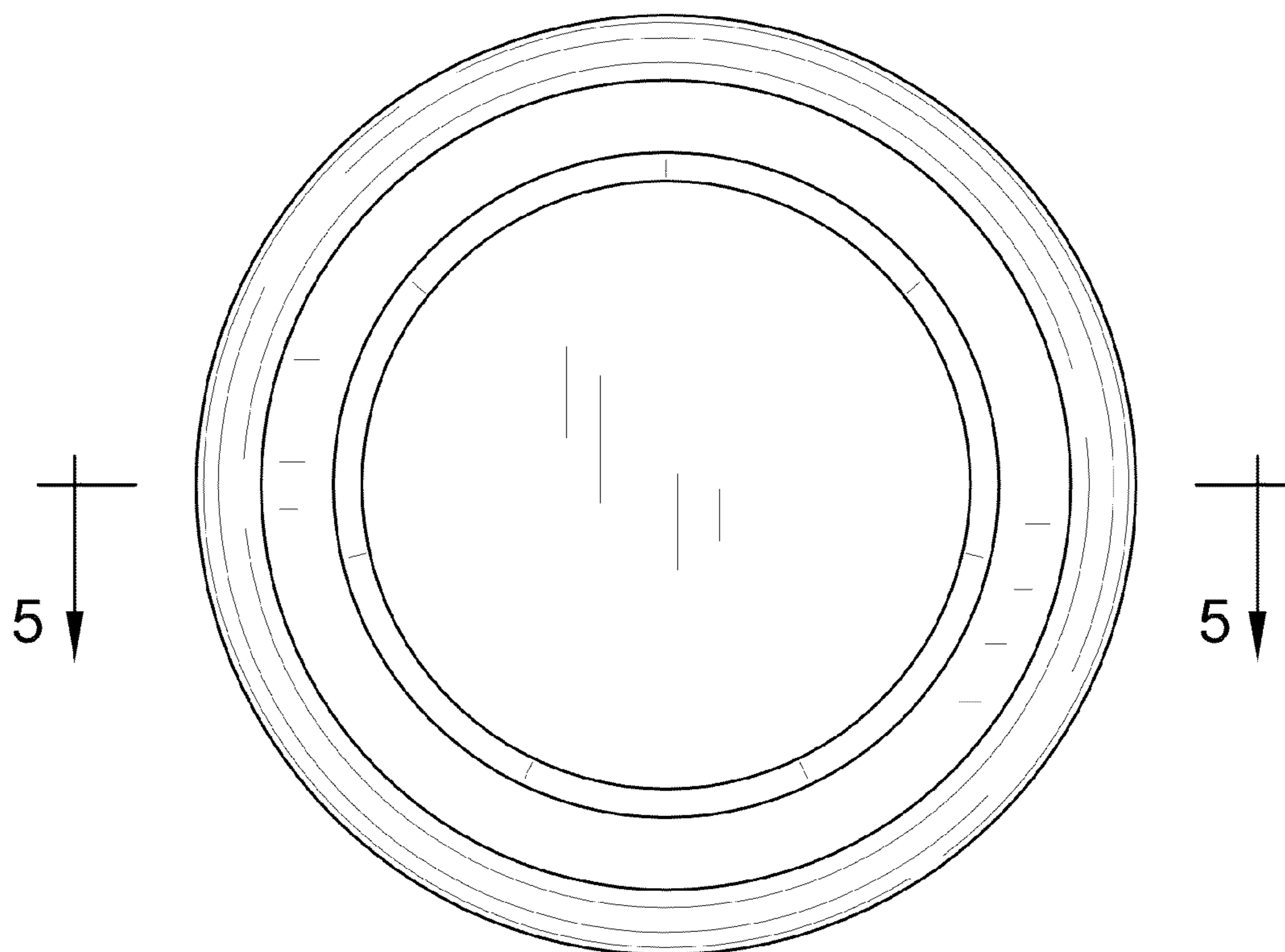


FIG. 4

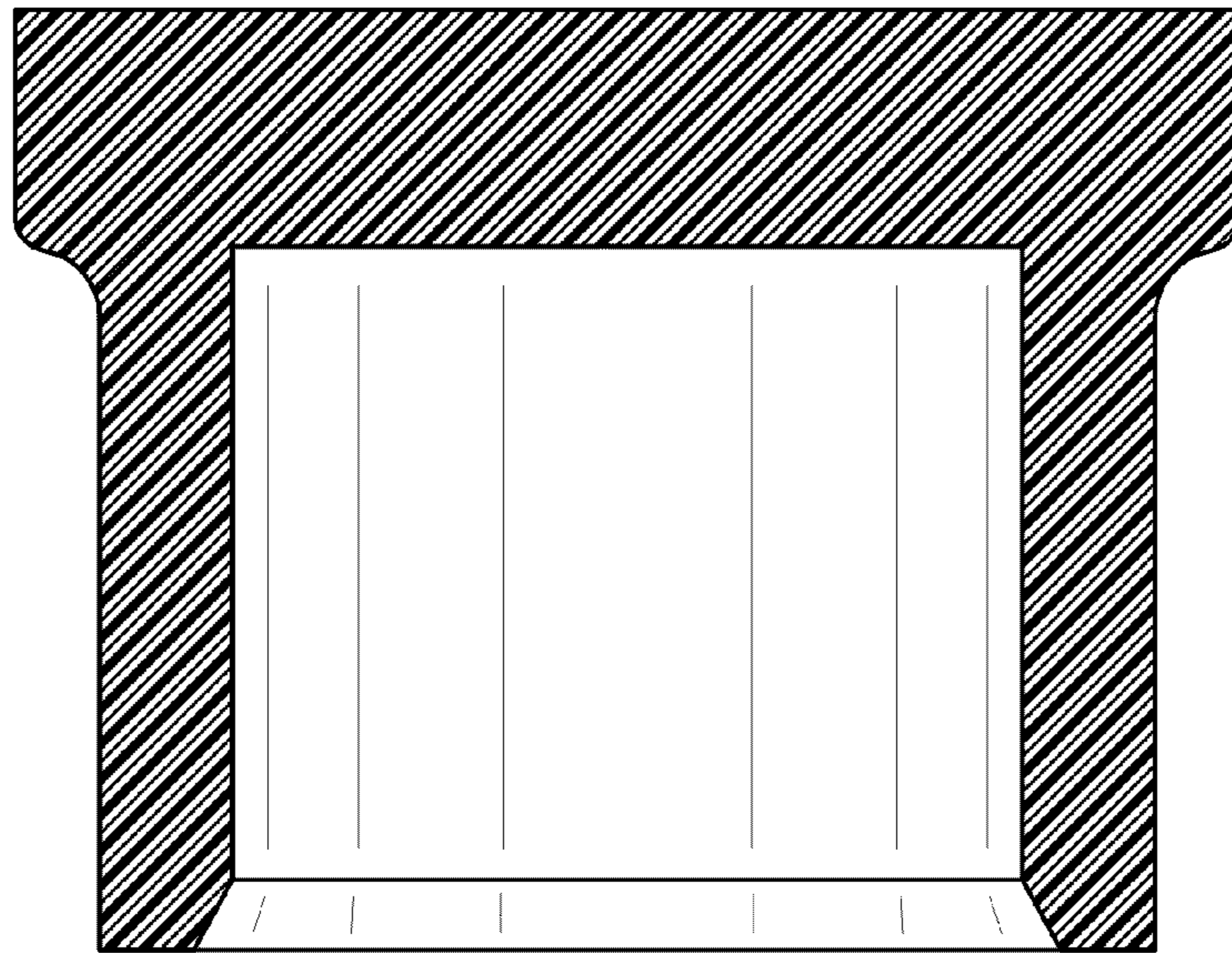


FIG. 5