



US00D754541S

(12) **United States Design Patent**
Jasso Gomez

(10) **Patent No.:** **US D754,541 S**
(45) **Date of Patent:** **** Apr. 26, 2016**

(54) **CONTAINER COVER**

- (71) Applicant: **Industrias Alen, S.A. de C.V.**, Santa Catarina (MX)
- (72) Inventor: **Alpha Edith Jasso Gomez**, Monterrey (MX)
- (73) Assignee: **Industrias Alen, S.A. de C.V.**, Santa Catarina (MX)
- (**) Term: **14 Years**
- (21) Appl. No.: **29/509,991**
- (22) Filed: **Nov. 24, 2014**

(30) **Foreign Application Priority Data**

- Sep. 19, 2014 (MX) MX/f/2014/002913
- (51) **LOC (10) Cl.** **09-07**
- (52) **U.S. Cl.**
USPC **D9/451**
- (58) **Field of Classification Search**
USPC D7/510-511, 514-520, 604, 613, 619.2, D7/623, 628, 527, 392, 392.1; D9/600, D9/655-664, 434-435, 439, 441, D9/451-454; 206/457, 527, 540; 220/890
CPC B65D 51/245; B65D 5/4258; B65D 2203/00; B65D 2203/02; B65D 81/60; B65D 81/365; B65D 81/366; B65D 81/368
See application file for complete search history.

(56) **References Cited**

U.S. PATENT DOCUMENTS

D337,264	S	*	7/1993	Paglina	D9/661
D337,267	S	*	7/1993	Paglina	D9/661
D338,157	S	*	8/1993	Desgrippes	D9/663
D352,906	S	*	11/1994	Gobe	D9/663
D353,773	S	*	12/1994	Desgrippes	D9/451
D534,427	S	*	1/2007	Crawford	D9/453
D535,879	S	*	1/2007	Crawford et al.	D9/451
D546,684	S	*	7/2007	Crawford et al.	D9/451
D598,284	S	*	8/2009	Floyd et al.	D9/451
D612,239	S	*	3/2010	Marotti et al.	D9/452
D638,295	S	*	5/2011	Heidel et al.	D9/454
D682,694	S	*	5/2013	van den Hoonaard	D9/451
D703,051	S	*	4/2014	Riley et al.	D9/503
D704,556	S	*	5/2014	van den Hoonaard	D9/451

* cited by examiner

Primary Examiner — Sandra Morris

(74) *Attorney, Agent, or Firm* — Jeffrey T. Placker; Holland & Knight LLP

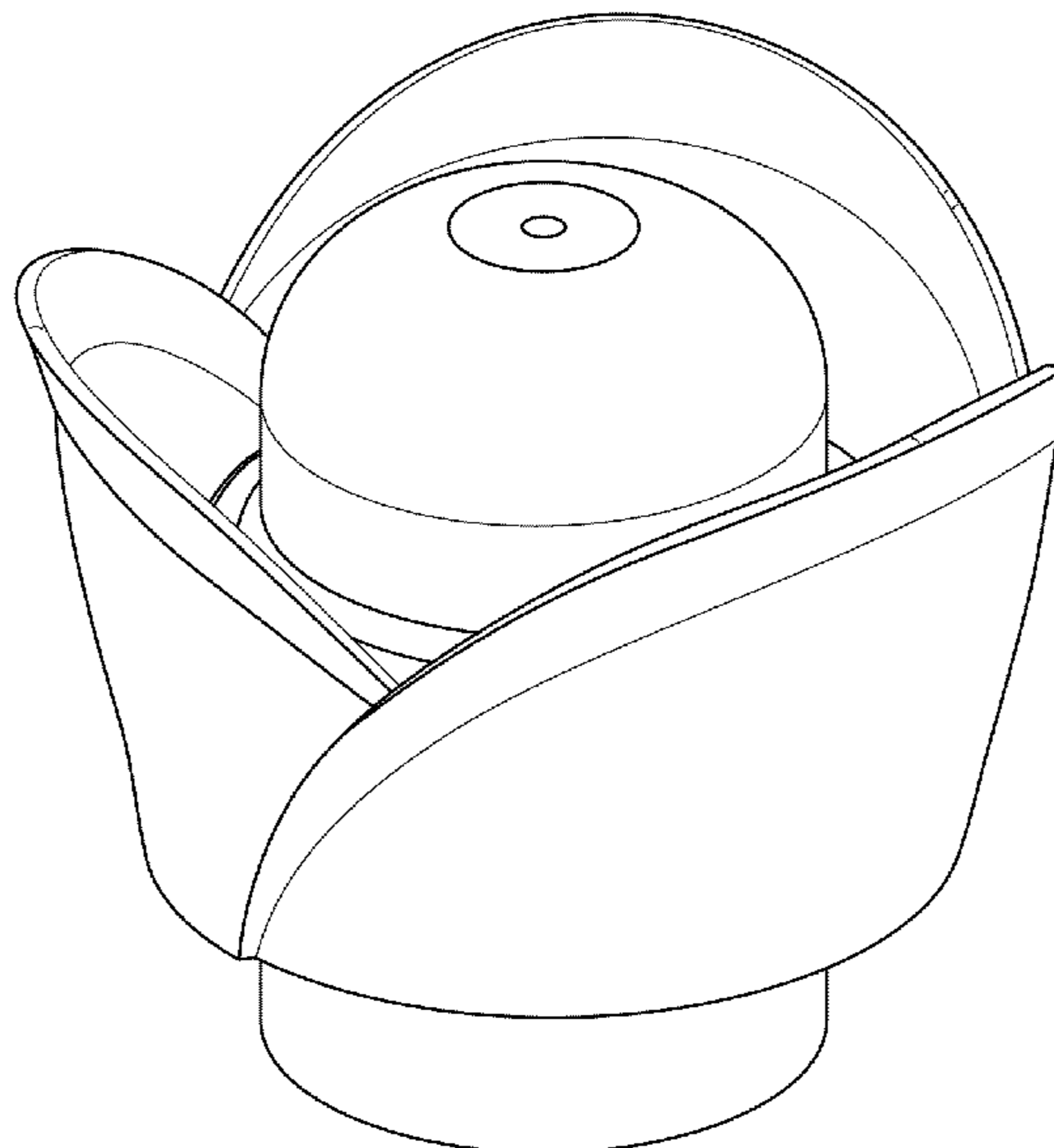
(57) **CLAIM**

The ornamental design for a container cover, as shown and described.

DESCRIPTION

FIG. 1 is a front perspective view of a container cover; FIG. 2 is a front elevation view thereof; FIG. 3 is a right side elevation view thereof; FIG. 4 is a top plan view thereof; and, FIG. 5 is a bottom plan view thereof. The broken lines are included for the purpose of illustrating portions of the container cover that form no part of the claimed design.

1 Claim, 5 Drawing Sheets



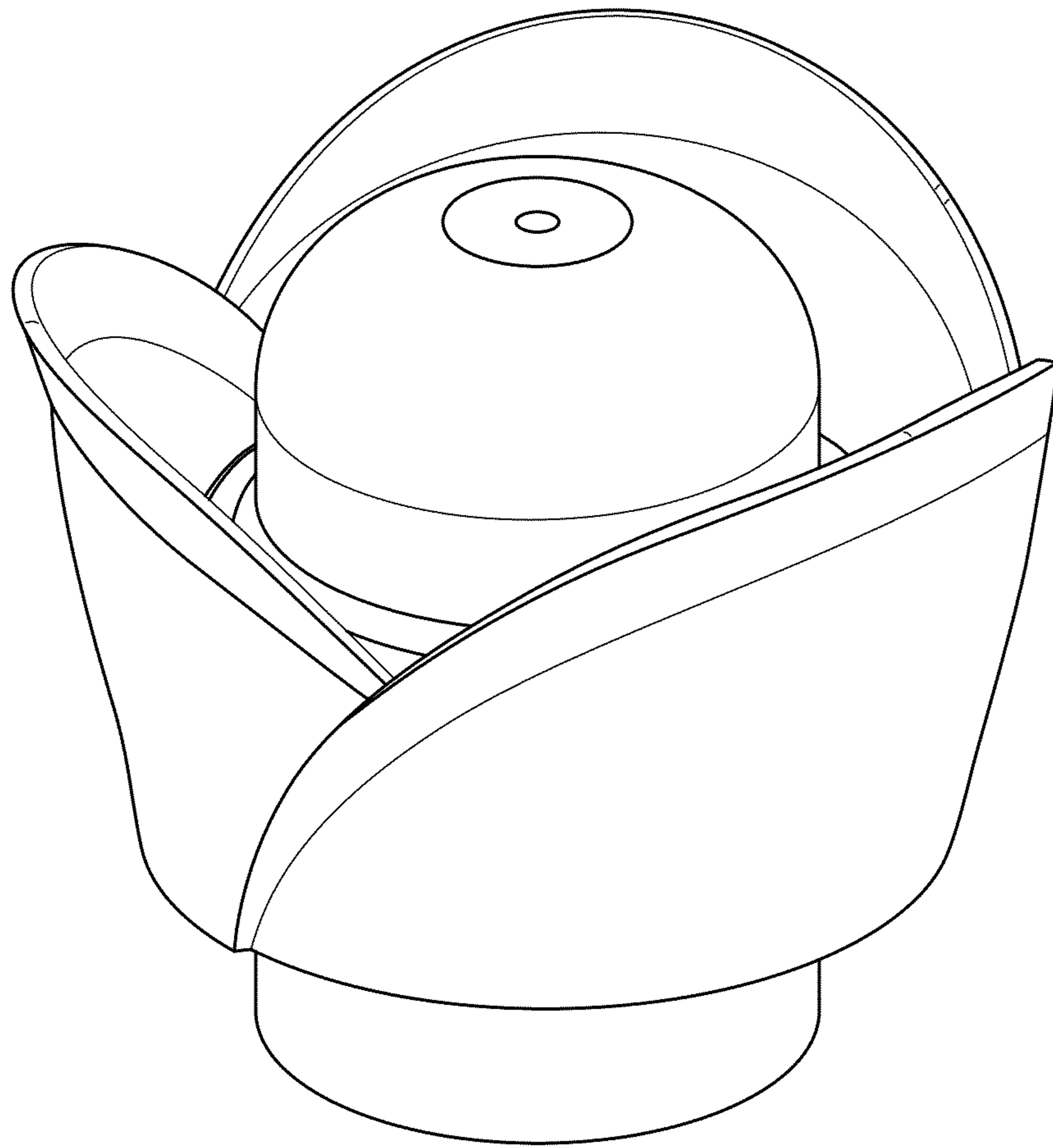


FIG. 1

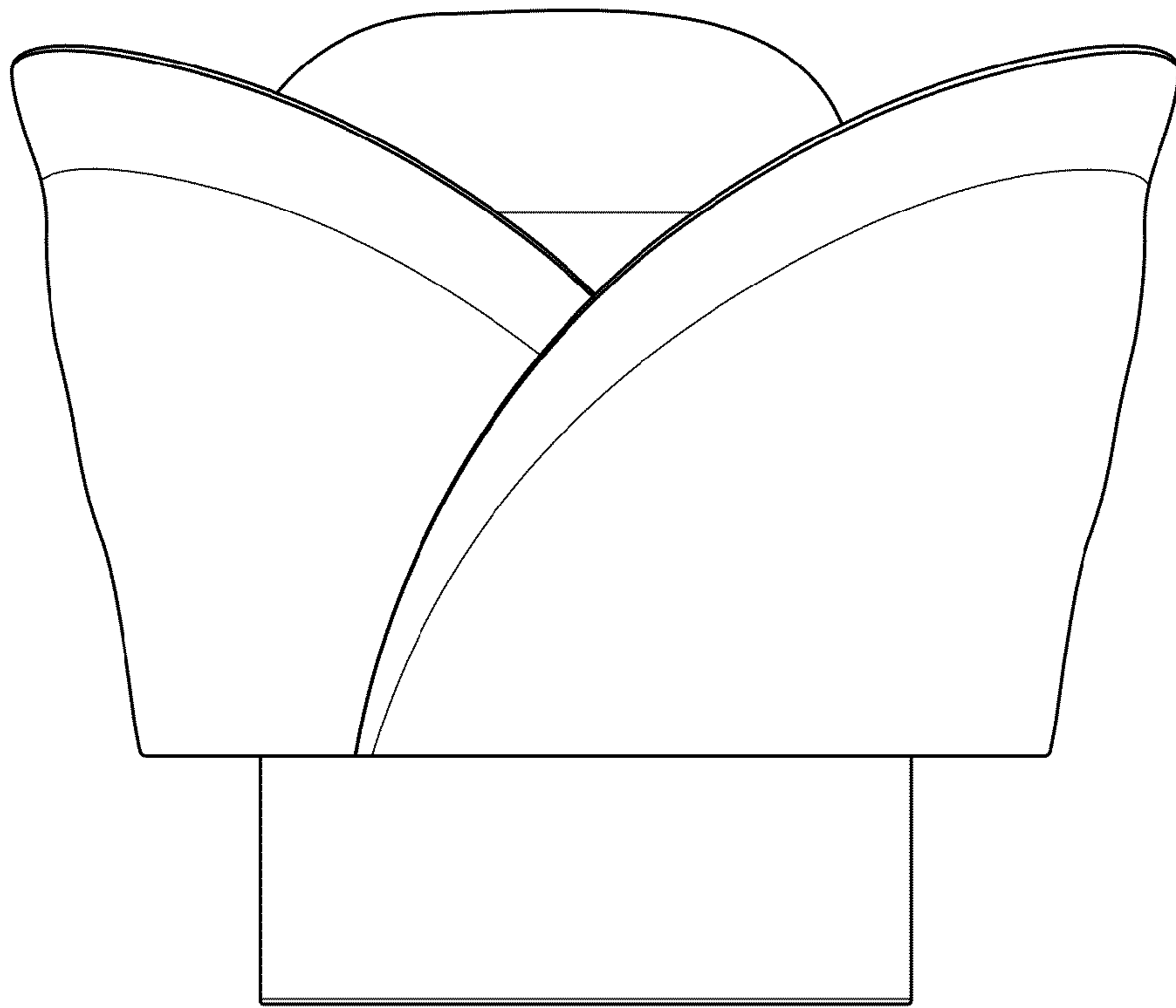


FIG. 2

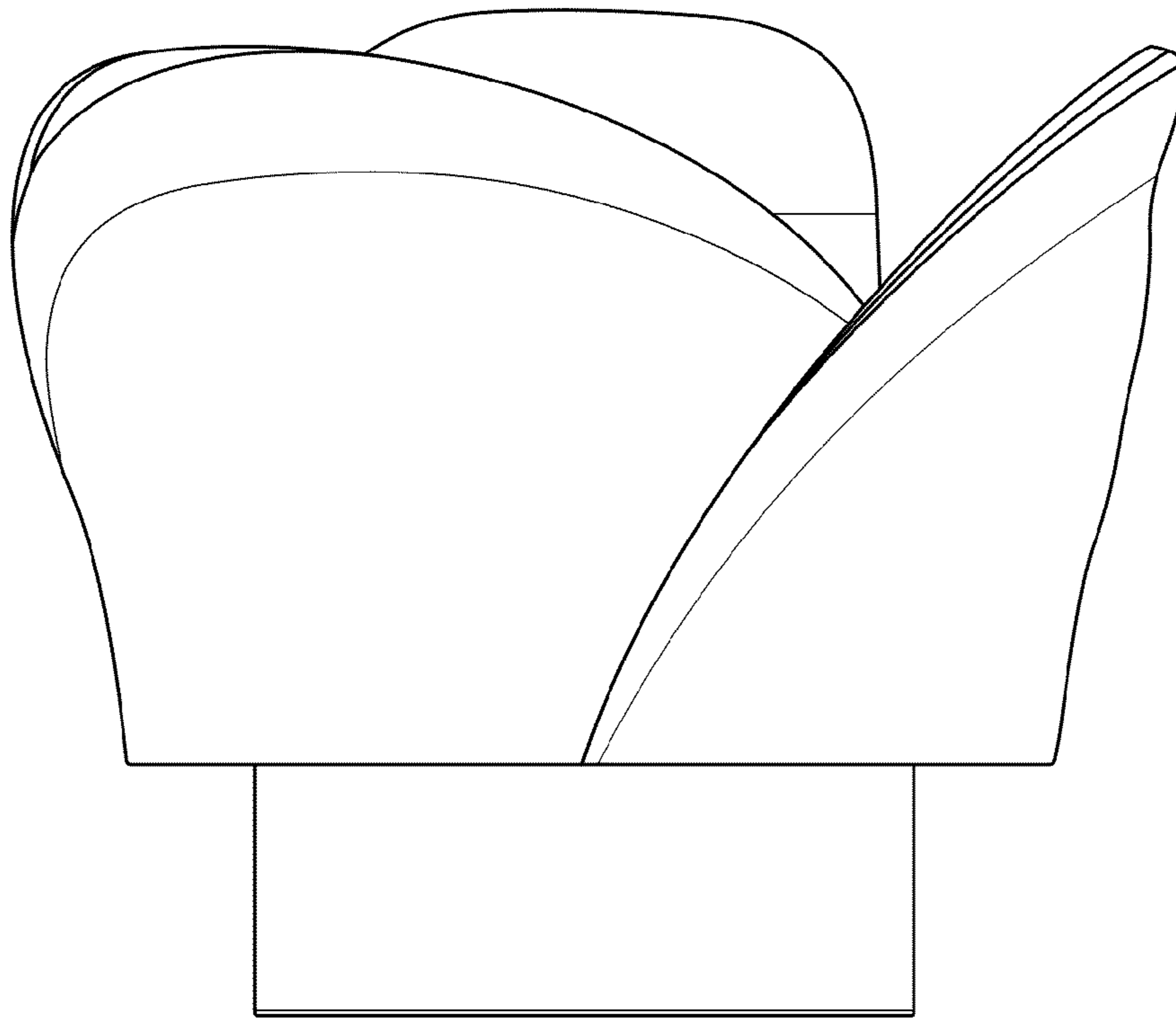


FIG. 3

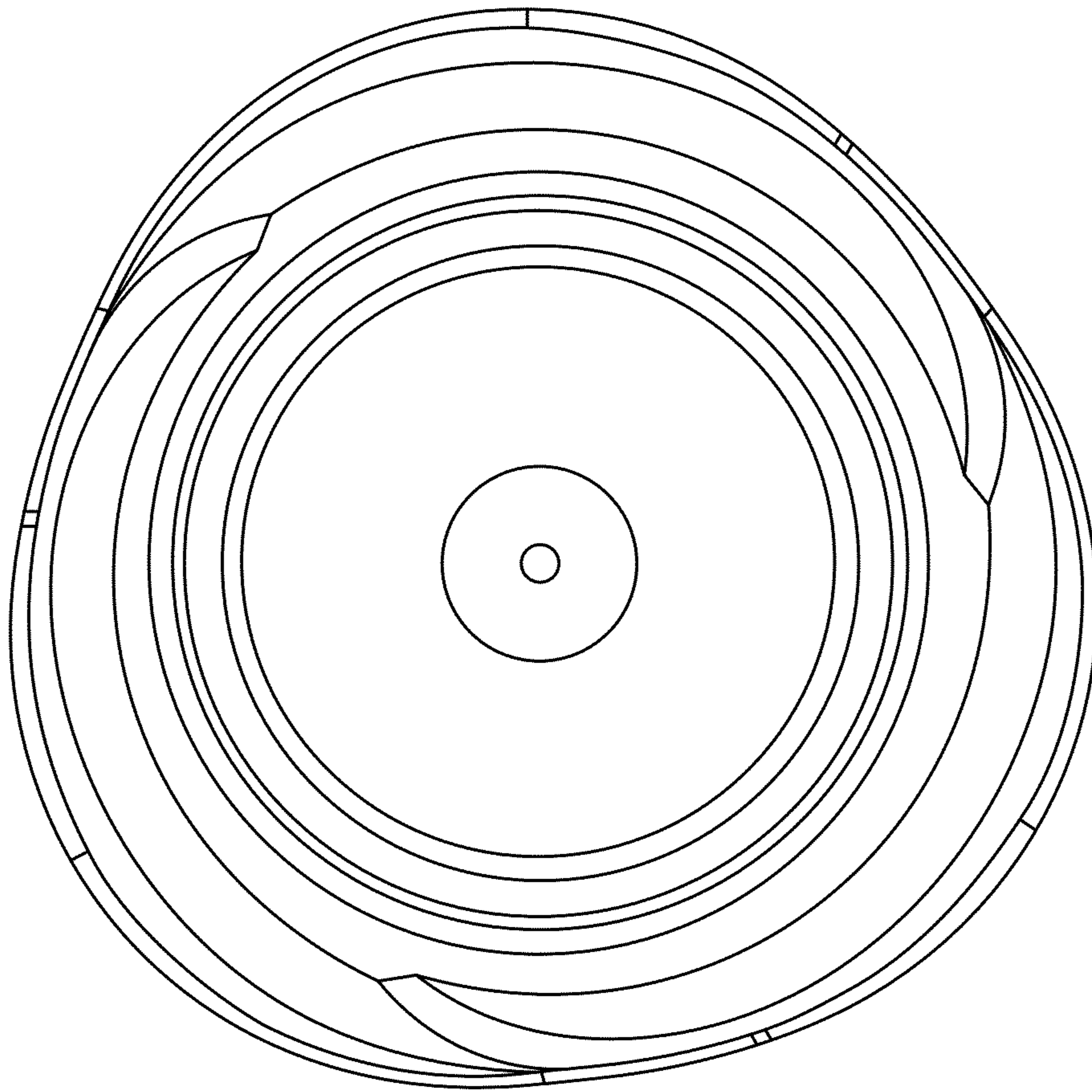


FIG. 4

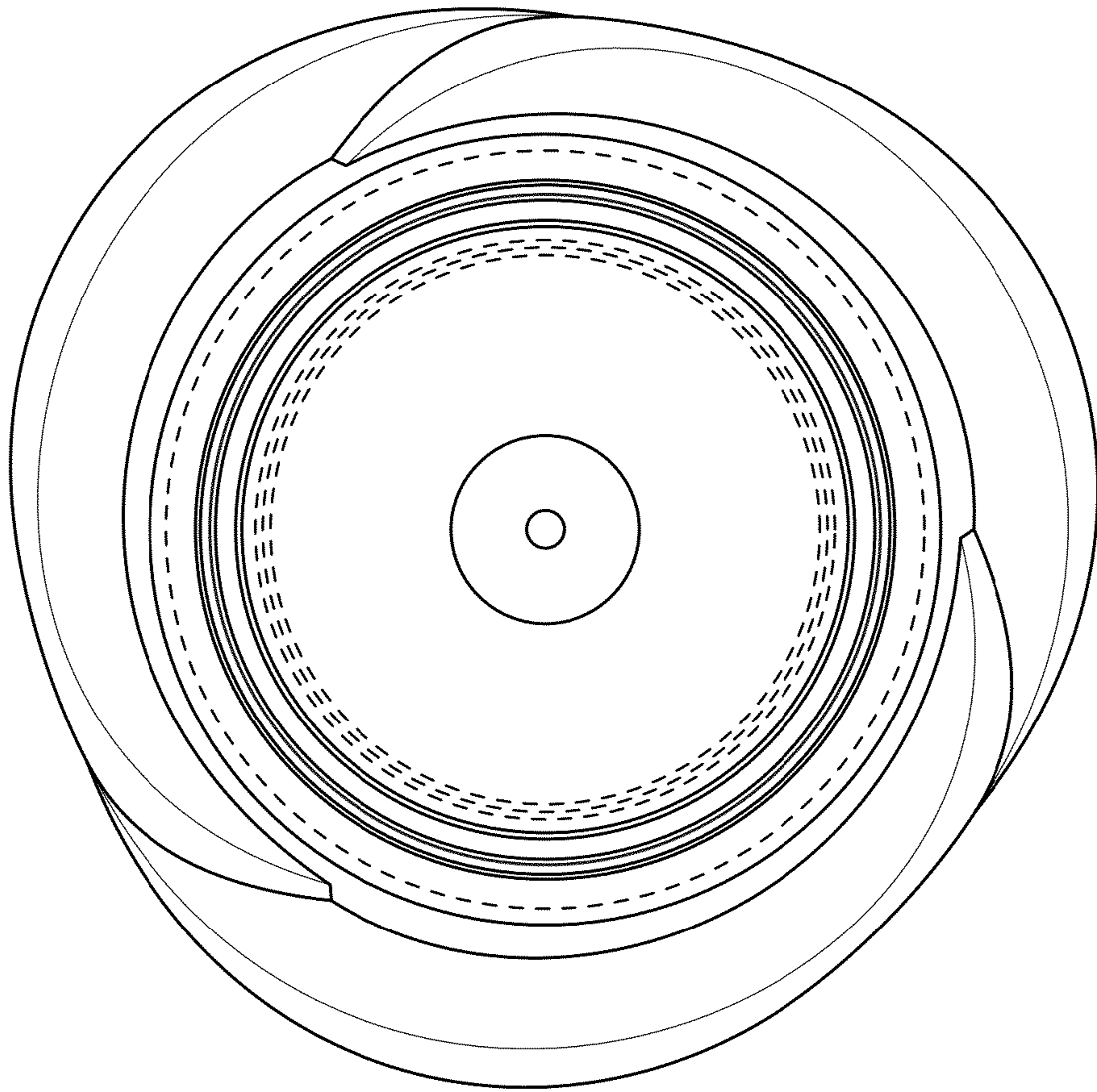


FIG. 5