



US00D754540S

(12) **United States Design Patent**
Wang

(10) **Patent No.:** **US D754,540 S**
(45) **Date of Patent:** **** Apr. 26, 2016**

- (54) **PUMP DISPENSER HEAD**
- (71) Applicant: **DERJIN (HONG KONG) HOLDING COMPANY LIMITED**, Central (HK)
- (72) Inventor: **Ya-Tsan Wang**, HsinChu (TW)
- (73) Assignee: **Derjin (Hong Kong) Holding Company Limited**, Central (HK)
- (**) Term: **14 Years**
- (21) Appl. No.: **29/500,472**
- (22) Filed: **Aug. 26, 2014**
- (51) **LOC (10) Cl.** **09-07**
- (52) **U.S. Cl.**
USPC **D9/448**; D9/434; D9/435; D9/447
- (58) **Field of Classification Search**
USPC D3/202; D6/542-545; D7/300, 321, D7/382.1, 396.2, 398, 500, 507, 509, 510, D7/511, 900; D9/440, 434, 435, 447, 448, D9/449, 454, 682, 686, 688; D19/70, 163; D24/127, 199; D28/4, 7, 76, 78, 82, D28/91, 91.1; 215/200, 235, 236, 252, 259, 215/329, 355-364; 220/200, 254.2, 254.5, 220/254.7, 320
CPC A61L 9/14; A61L 9/145; B65D 39/00; B65D 41/00; B65D 43/00; B65D 43/02; B65D 43/265; B65D 43/267; B65D 47/00; B65D 83/40; B65D 83/205
See application file for complete search history.

- D489,613 S * 5/2004 Campbell D9/447
- D489,615 S * 5/2004 Bakic D9/448
- D489,616 S * 5/2004 Bakic D9/447

(Continued)

FOREIGN PATENT DOCUMENTS

- CN 3055519 * 3/1997
- CN 3153960 * 7/2000

(Continued)

OTHER PUBLICATIONS

Aldi Lacura Aqua Complete Serum: Announced Jul. 18, 2013 [online] site visited [Nov. 22, 2015]. Available from Internet URL:<http://www.helloterrilowe.com/2013/07/aldi-lacura-aqua-complete-serum.html>.*

(Continued)

Primary Examiner — Thomas Johannes
Assistant Examiner — Catherine Posthauer
(74) *Attorney, Agent, or Firm* — C. G. Mersereau; Nikolai & Mersereau, P.A.

(57) **CLAIM**
The ornamental design for a pump dispenser head, as shown and described.

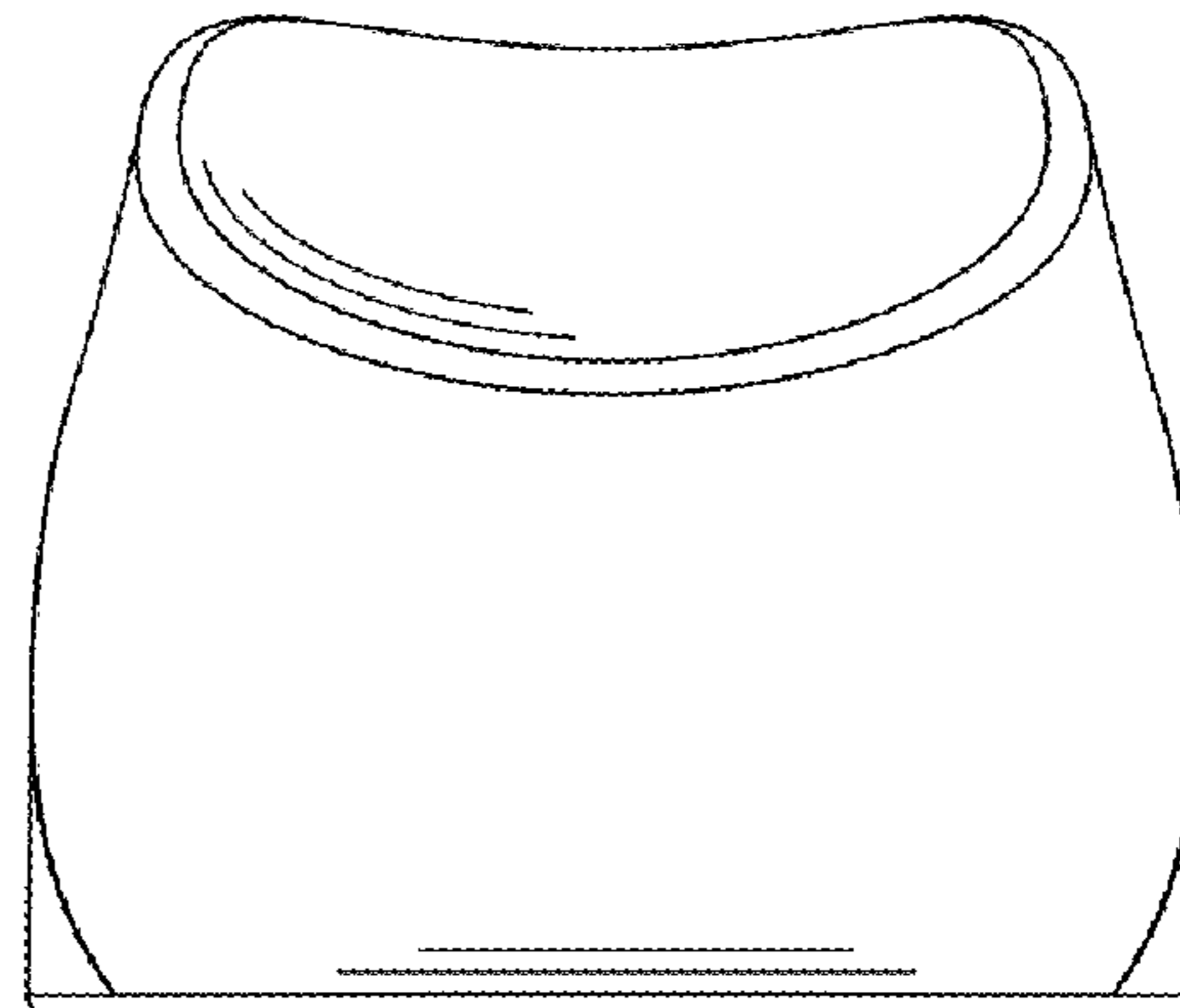
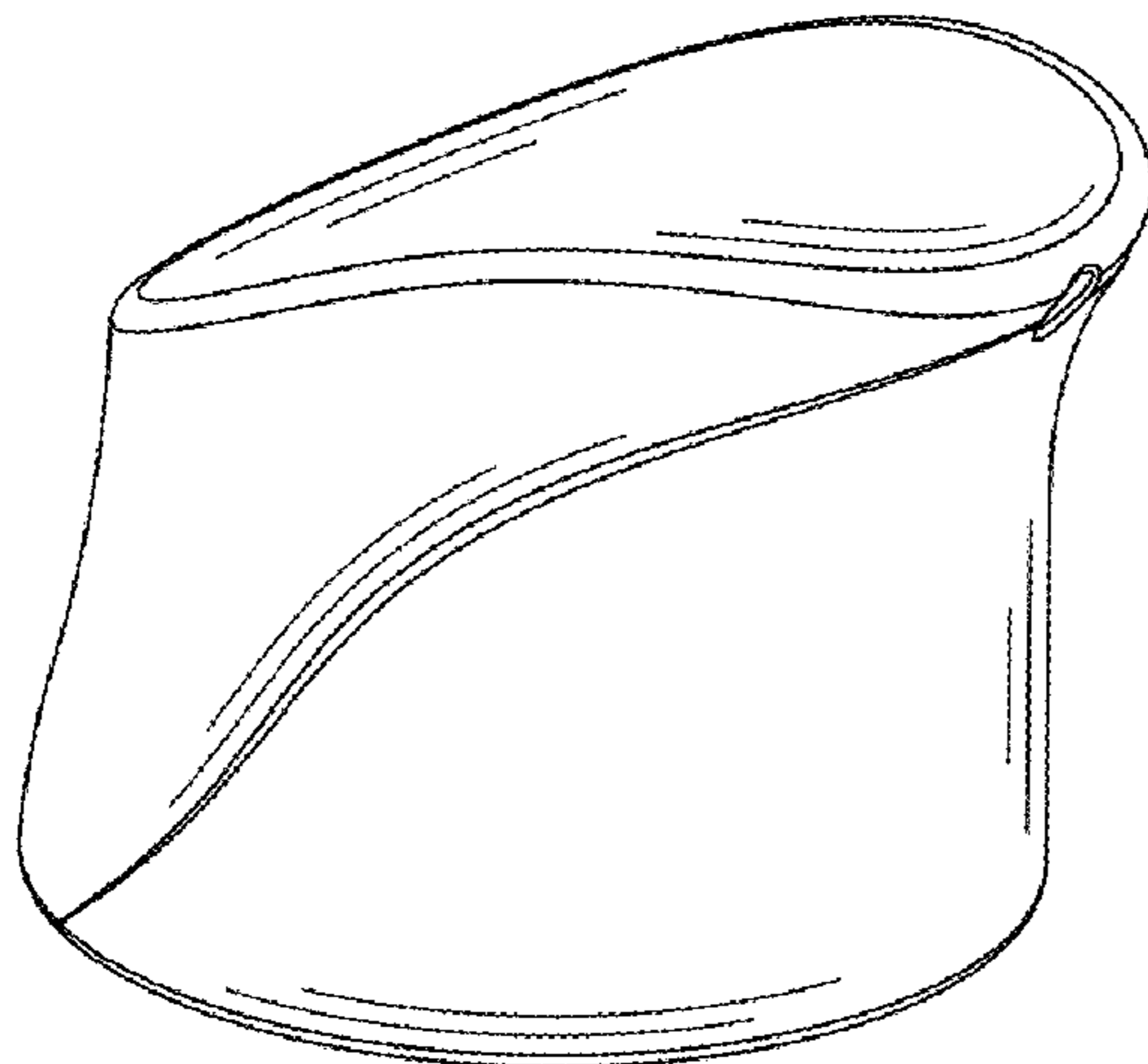
DESCRIPTION

FIG. 1 is a perspective view of the pump dispenser head
FIG. 2 is a front elevation view thereof;
FIG. 3 is a rear elevation view thereof;
FIG. 4 is a left side elevation view thereof;
FIG. 5 is a right side elevation view thereof;
FIG. 6 is a top plan view thereof; and,
FIG. 7 is a bottom plan view thereof.
The broken lines are shown for the purpose of illustrating parts of the pump dispenser that form no part of the claimed design.

1 Claim, 4 Drawing Sheets

(56) **References Cited**
U.S. PATENT DOCUMENTS

- D242,517 S * 11/1976 Rosewell D7/392
- D243,890 S * 3/1977 Yajima D28/49
- D301,205 S * 5/1989 Joyaux D9/448
- D314,688 S * 2/1991 Guillerm D9/448
- D407,313 S * 3/1999 Wadsworth D9/445
- D481,947 S * 11/2003 Levesque D9/444



(56)

References Cited

U.S. PATENT DOCUMENTS

D503,888 S * 4/2005 Garcia D9/449
 D532,300 S * 11/2006 Moretti D9/448
 D532,302 S * 11/2006 Moretti D9/448
 D539,143 S * 3/2007 Arminak D9/448
 D541,653 S * 5/2007 Pietrowski D9/448
 D541,654 S * 5/2007 Pietrowski D9/448
 D543,106 S * 5/2007 Foster D9/448
 D547,182 S * 7/2007 Foster D9/448
 D551,076 S * 9/2007 Bloc D9/448
 D552,991 S * 10/2007 Lai D9/448
 D600,553 S * 9/2009 Dubitsky D9/448
 D612,728 S * 3/2010 Borstel D9/449
 D666,909 S * 9/2012 Bloc D9/448
 D678,064 S * 3/2013 Arminak D9/448
 8,672,192 B2 * 3/2014 Wang B05B 11/3023
 222/321.2
 D709,761 S * 7/2014 Sanders D9/445
 D713,671 S * 9/2014 De Leo D7/392.1

FOREIGN PATENT DOCUMENTS

CN 301803216 * 1/2012
 CN 301813710 * 1/2012
 CN 301849038 * 2/2012
 CN 301936105 * 5/2012

OTHER PUBLICATIONS

Seabuck Wonders Facial Cream: Announced Jul. 6, 2013 [online], site visited [Nov. 22, 2015]. Available from Internet URL: <http://maryqin.com/seabuck-wonders-facial-cleanser-cream-review/>.
 Mabeline Dream Liquid Mousse: Announced Jul. 31, 2012 [online], site visited [Nov. 22, 2015]. Available from Internet URL: http://www.maybelline.com/Products/Face-Makeup/Foundation/Dream-Liquid-Mousse.aspx?gclid=CJPT_qPNpMkCFUNgfgods-8IEA.
 Amara Organic Anti-Aging Face Cream: Announced [Nov. 28, 2014] [online], site visited [Nov. 22, 2015]. Available from Internet URL: http://www.amazon.com/...eratrol/product-reviews/B00OC0DUNI/ref=cm_cr_pr_btm_link_15?ie=UTF8&showViewpoints=1&sortBy=bySubmissionDateDescending&pageNumber=15.

* cited by examiner

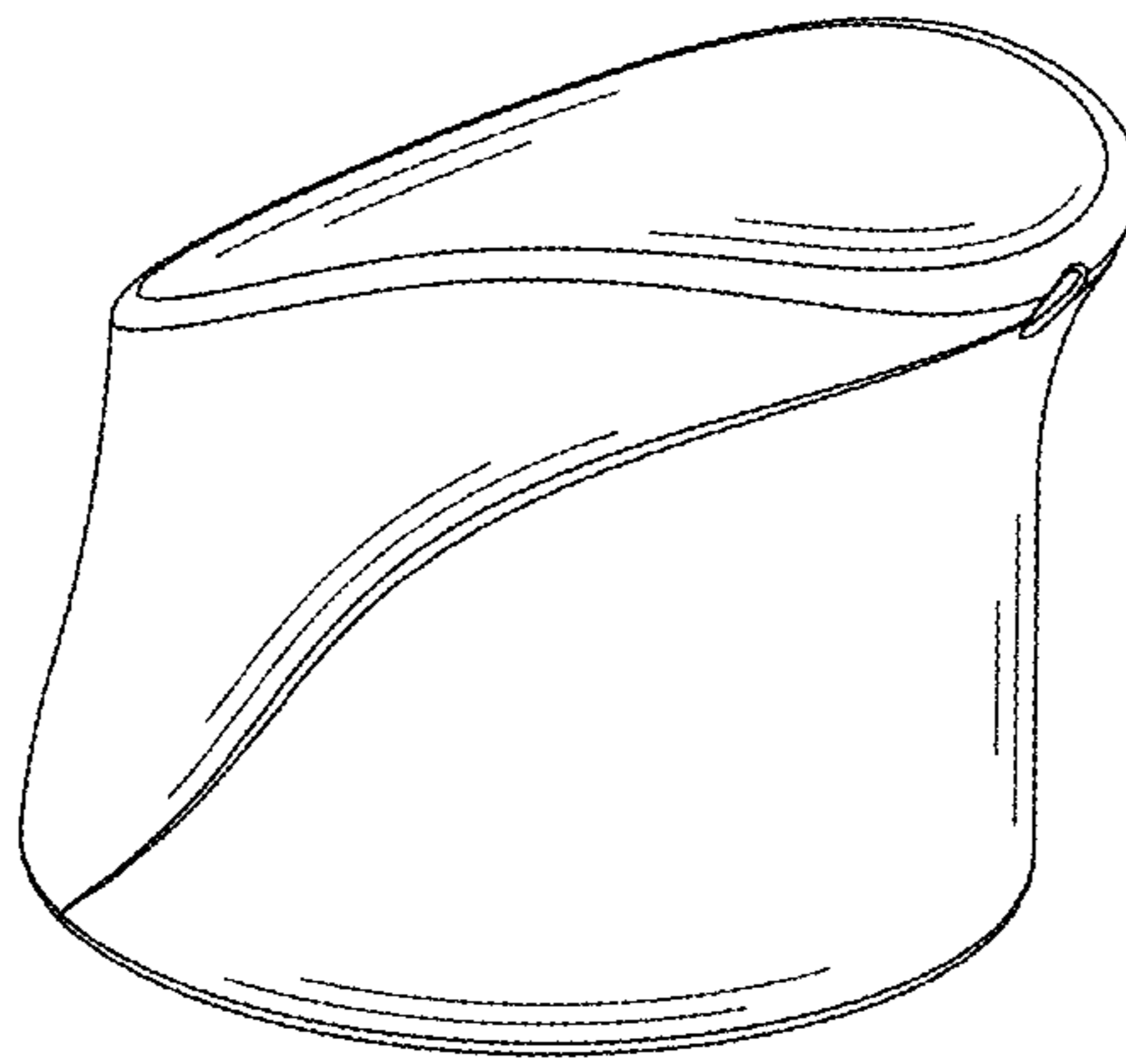


FIG.1

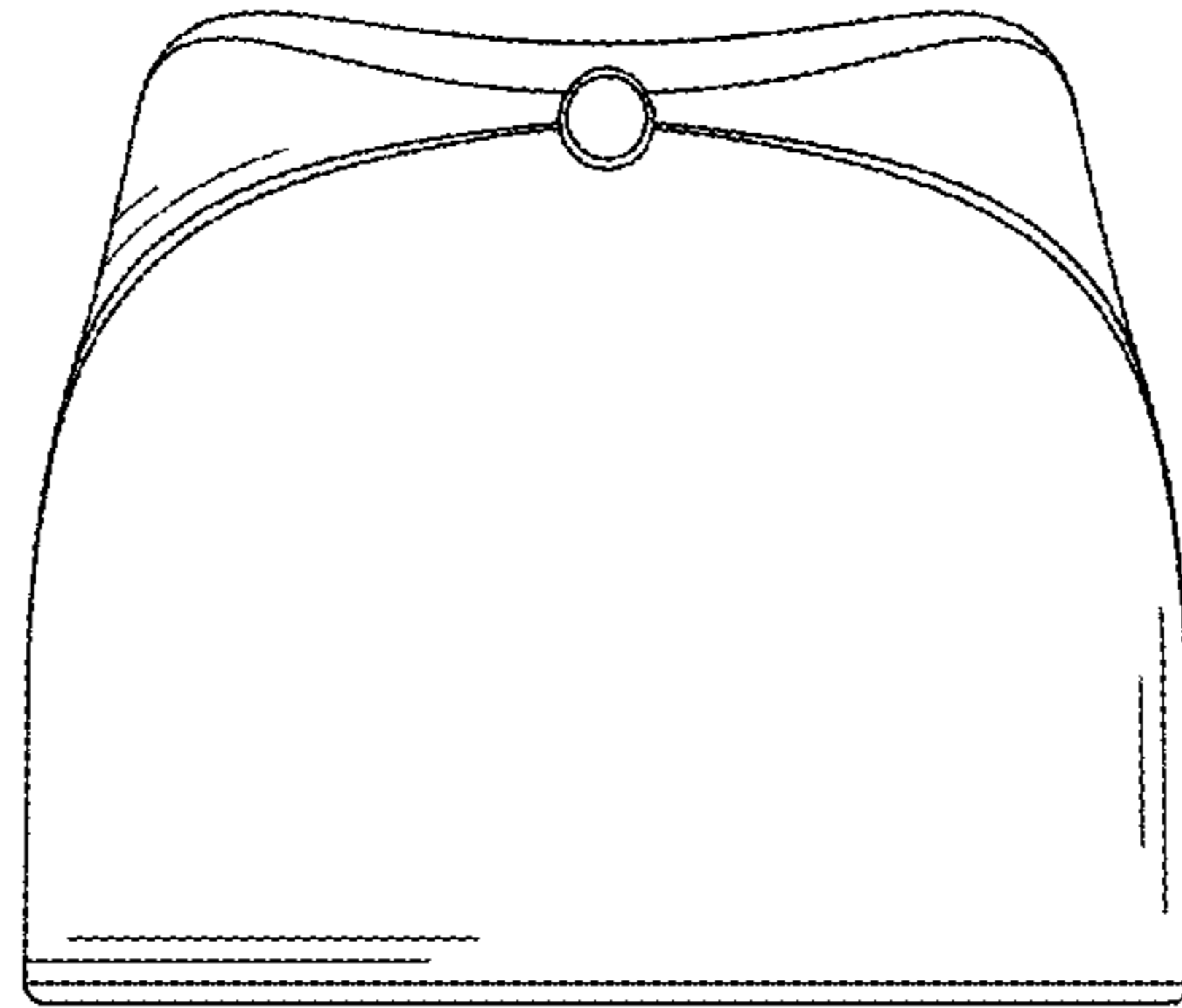


FIG.2

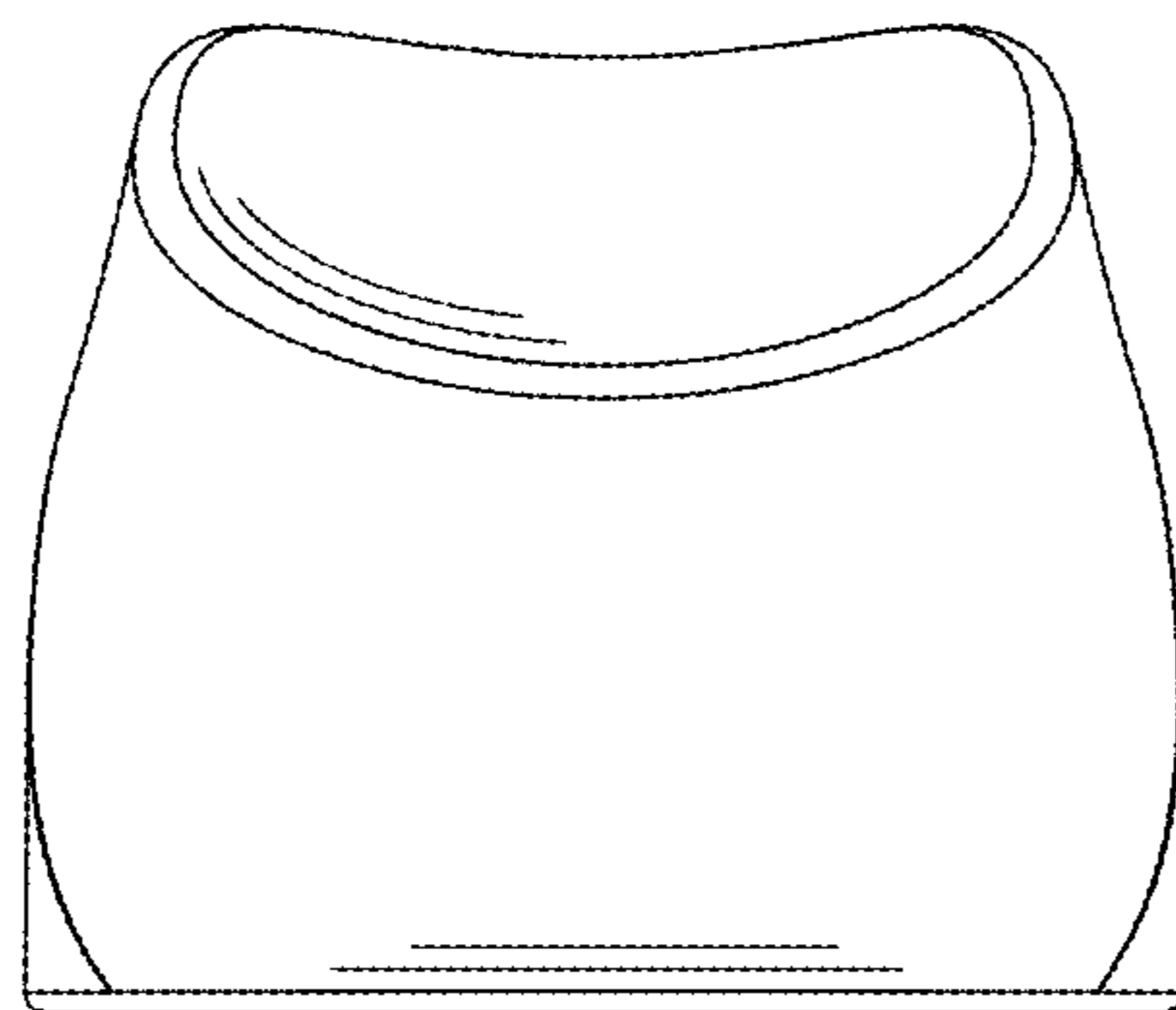


FIG.3

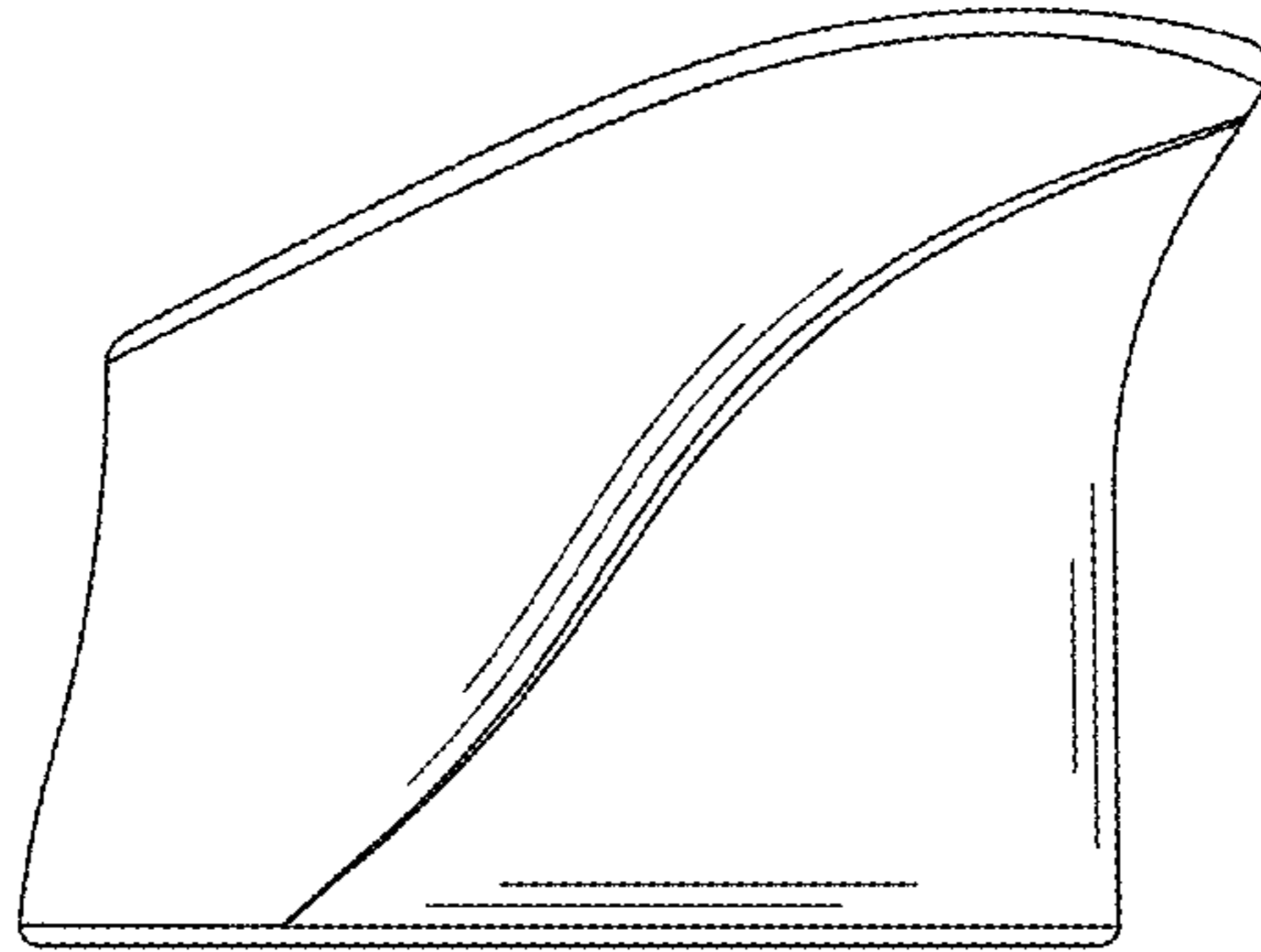


FIG. 4

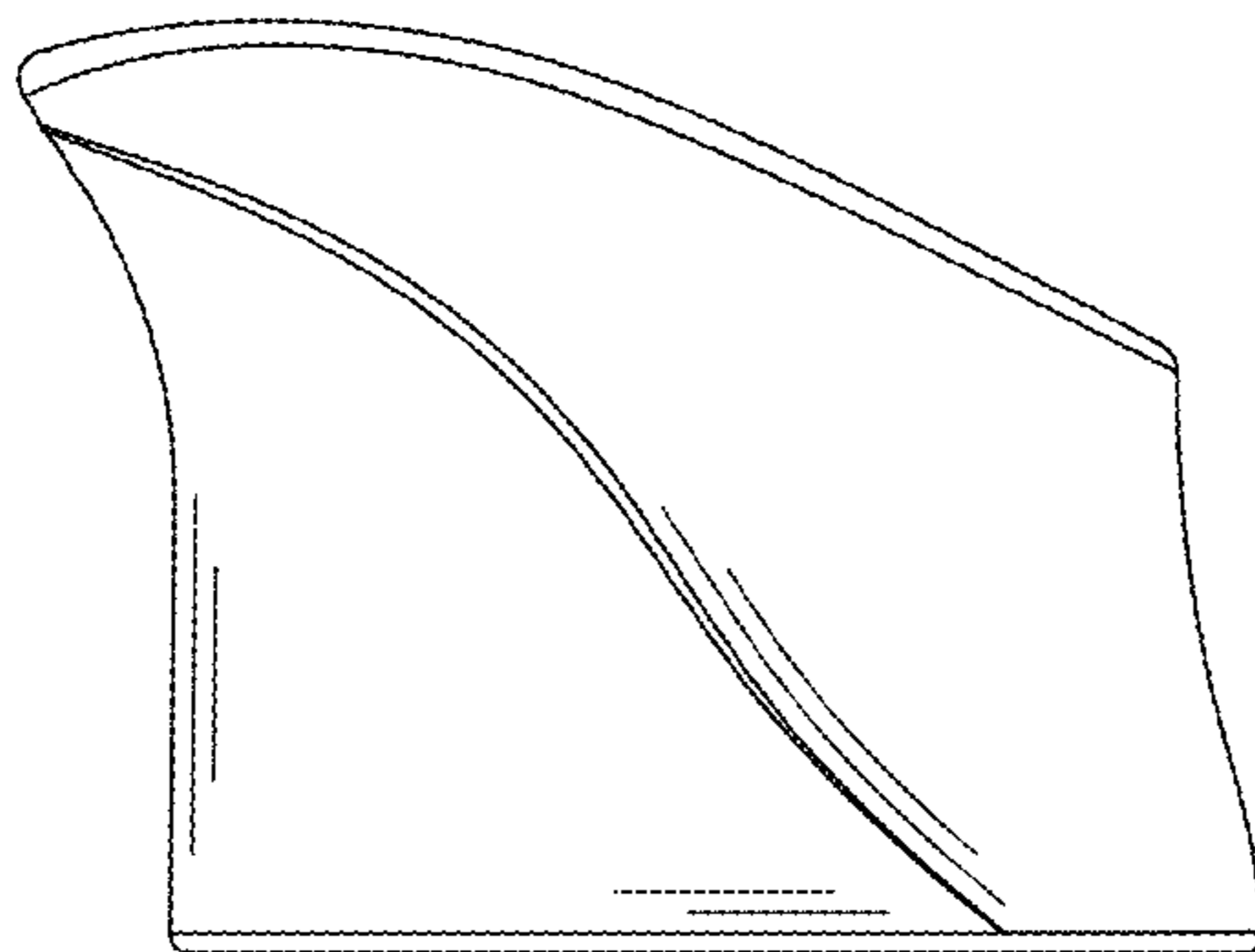


FIG. 5

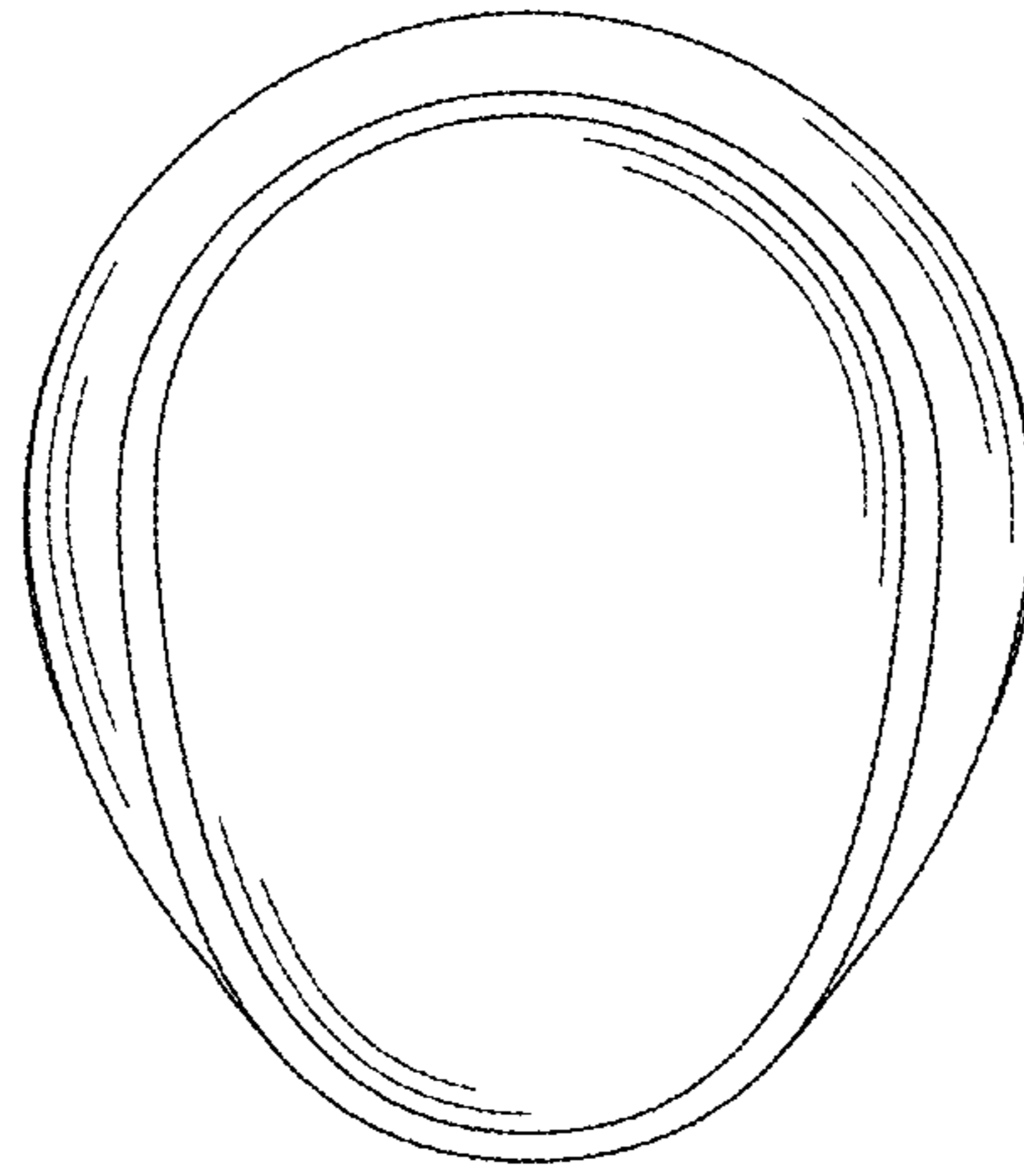


FIG. 6

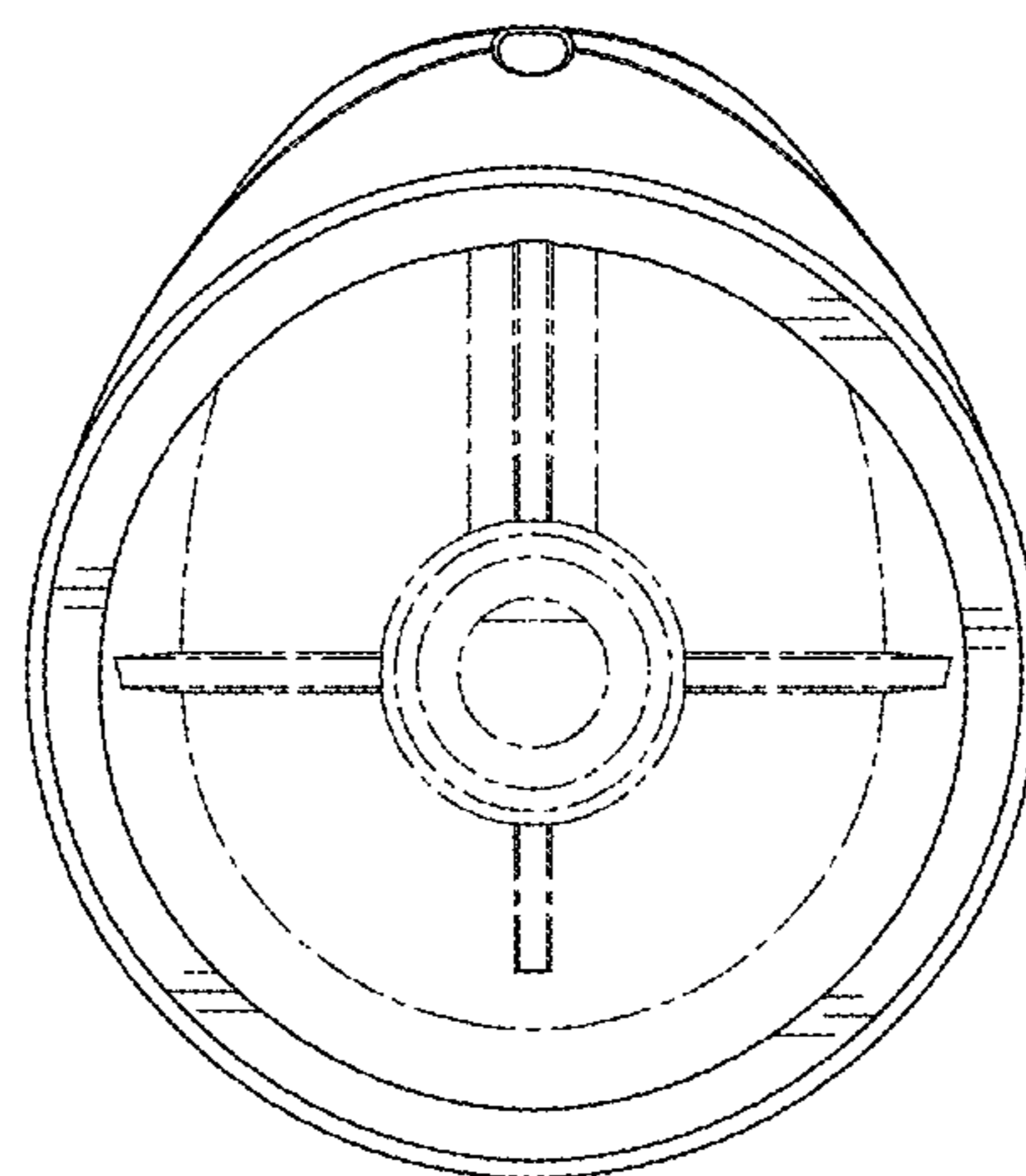


FIG. 7