



US00D754539S

(12) **United States Design Patent**
Eckstein et al.

(10) **Patent No.:** **US D754,539 S**

(45) **Date of Patent:** **** Apr. 26, 2016**

(54) **NOZZLE FOR SYRINGE**

(56) **References Cited**

(71) Applicant: **3M INNOVATIVE PROPERTIES COMPANY**, St. Paul, MN (US)

U.S. PATENT DOCUMENTS

(72) Inventors: **Stefan Eckstein**, München (DE);
Andreas J. Boehm, Reichling (DE);
Marc Peuker, Schöndörf (DE)

2,781,312 A * 2/1957 Klumb B01J 47/002
210/266
3,739,947 A 6/1973 Baumann
D287,877 S 1/1987 Holewinski
4,941,752 A 7/1990 Yant
D324,267 S * 2/1992 Smitt D24/112
D336,044 S * 6/1993 Miller D9/434

(73) Assignee: **3M Innovative Properties Company**,
St. Paul, MN (US)

(Continued)

(**) Term: **14 Years**

Tetric EvoCeram & Tetric EvoFlow®, Ivoclar Vivodent, Oct. 29, 2013, 10 pages.

(21) Appl. No.: **29/504,529**

(Continued)

(22) Filed: **Oct. 7, 2014**

Primary Examiner — Robert M Spear
Assistant Examiner — Marissa J Cash

(30) **Foreign Application Priority Data**

(57) **CLAIM**

Apr. 10, 2014 (EP) 1408751-1/3

The ornamental design for a nozzle for syringe, as shown and described.

(51) **LOC (10) Cl.** **09-07**

DESCRIPTION

(52) **U.S. Cl.**

USPC **D9/447**

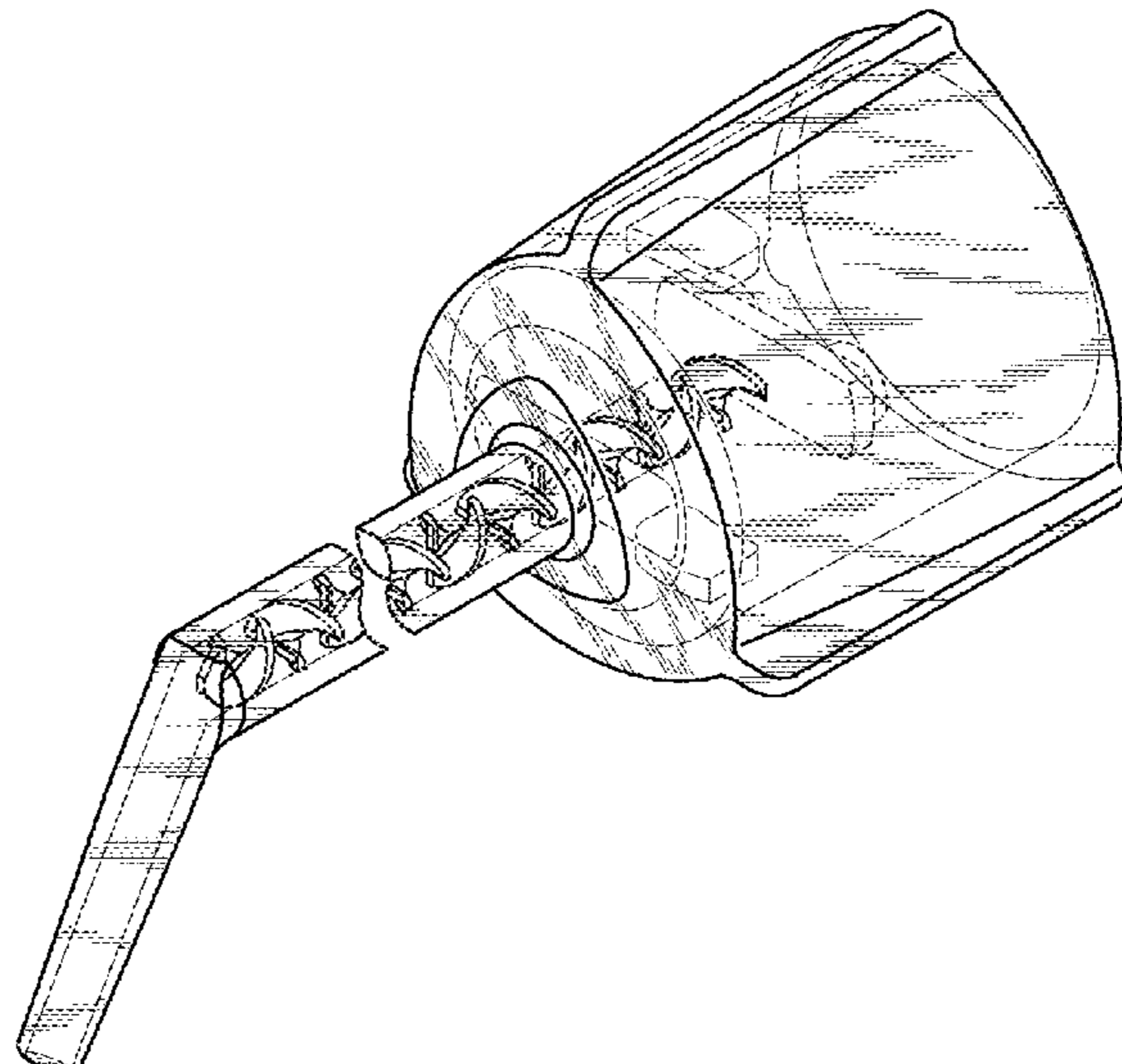
(58) **Field of Classification Search**

USPC D7/300, 300.1, 300.2, 303, 313, 317,
D7/602, 387, 509, 510, 511, 538; D9/434,
D9/435, 436, 439, 440, 441, 442, 443, 444,
D9/445, 446, 447, 448, 449, 450, 451, 452,
D9/453, 454, 499; D24/112, 114, 130,
D24/152, 156, 176

CPC B65D 41/26; B65D 41/32; B65D 59/06;
B65D 47/0814; B65D 47/2031; B65D 51/249;
B65D 2251/1066; B65D 41/02; B65D 23/00;
B65D 39/08; B67D 3/0032; A47G 19/26;
A47G 19/2266; B65F 1/14

See application file for complete search history.

1 Claim, 2 Drawing Sheets



(56)

References Cited

U.S. PATENT DOCUMENTS

5,324,273 A 6/1994 Disko, Jr.
 5,392,904 A 2/1995 Frick
 D359,119 S * 6/1995 Dragan D24/114
 D359,684 S * 6/1995 Duggan D9/436
 D383,065 S * 9/1997 Eastling D9/447
 D419,236 S 1/2000 Carlson
 D420,287 S * 2/2000 Coppola D9/447
 D421,121 S 2/2000 Prasad
 D438,954 S * 3/2001 Orsing D24/112
 D457,626 S * 5/2002 Farris D24/112
 D469,869 S * 2/2003 Farris D24/112
 D472,323 S 3/2003 Sand
 D480,643 S * 10/2003 Dretzka D6/542
 6,884,071 B2 4/2005 Martin
 D507,722 S * 7/2005 Rockhill D7/300.2
 D534,425 S * 1/2007 Kuo D6/542
 D575,570 S * 8/2008 Antonelli D7/300.2
 7,562,792 B2 7/2009 Nisbet
 D605,037 S * 12/2009 Schrimpf D9/447
 D625,602 S * 10/2010 Schrimpf D9/447
 D645,958 S 9/2011 Assmann
 D672,873 S 12/2012 An
 D681,808 S 5/2013 Holaschke

D690,813 S 10/2013 Bizzell
 D693,940 S 11/2013 Walter
 D695,114 S * 12/2013 McDonald D9/440
 D696,787 S 12/2013 Walter
 D698,918 S 2/2014 Leiner
 D722,846 S * 2/2015 Bacich D8/14.1
 D728,781 S * 5/2015 Pierson D24/112
 D733,908 S * 7/2015 Eckstein D24/220
 D734,490 S * 7/2015 Eckstein D24/220
 D735,350 S * 7/2015 Eckstein D24/220
 D739,550 S * 9/2015 Eckstein D24/220
 D742,174 S * 11/2015 Roth D7/300.2
 2009/0042162 A1 * 2/2009 Pond A61C 17/0202
 433/80
 2010/0032432 A1 * 2/2010 Stull, Sr. B65D 1/1616
 220/257.1
 2010/0240004 A1 9/2010 Zalsman
 2011/0114668 A1 5/2011 Bublewitz
 2013/0101955 A1 4/2013 Broyles
 2013/0260335 A1 10/2013 Peuker

OTHER PUBLICATIONS

Tetric EvoCeram® Bulk Fill, Nano-Hybrid Composite with Ivocerin, Ivoclar Vivodent©, 2013, 6 pages.

* cited by examiner

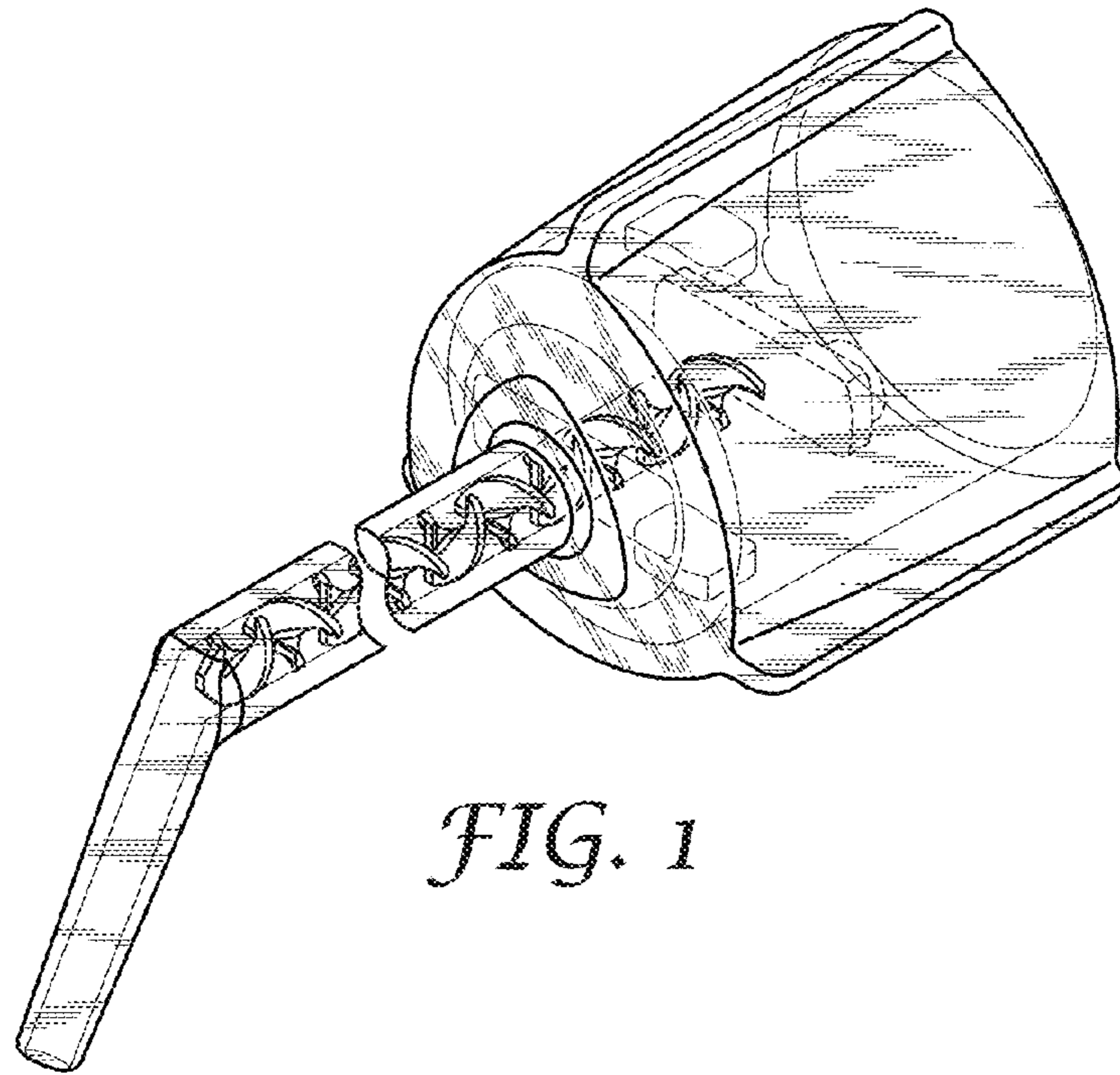


FIG. 1

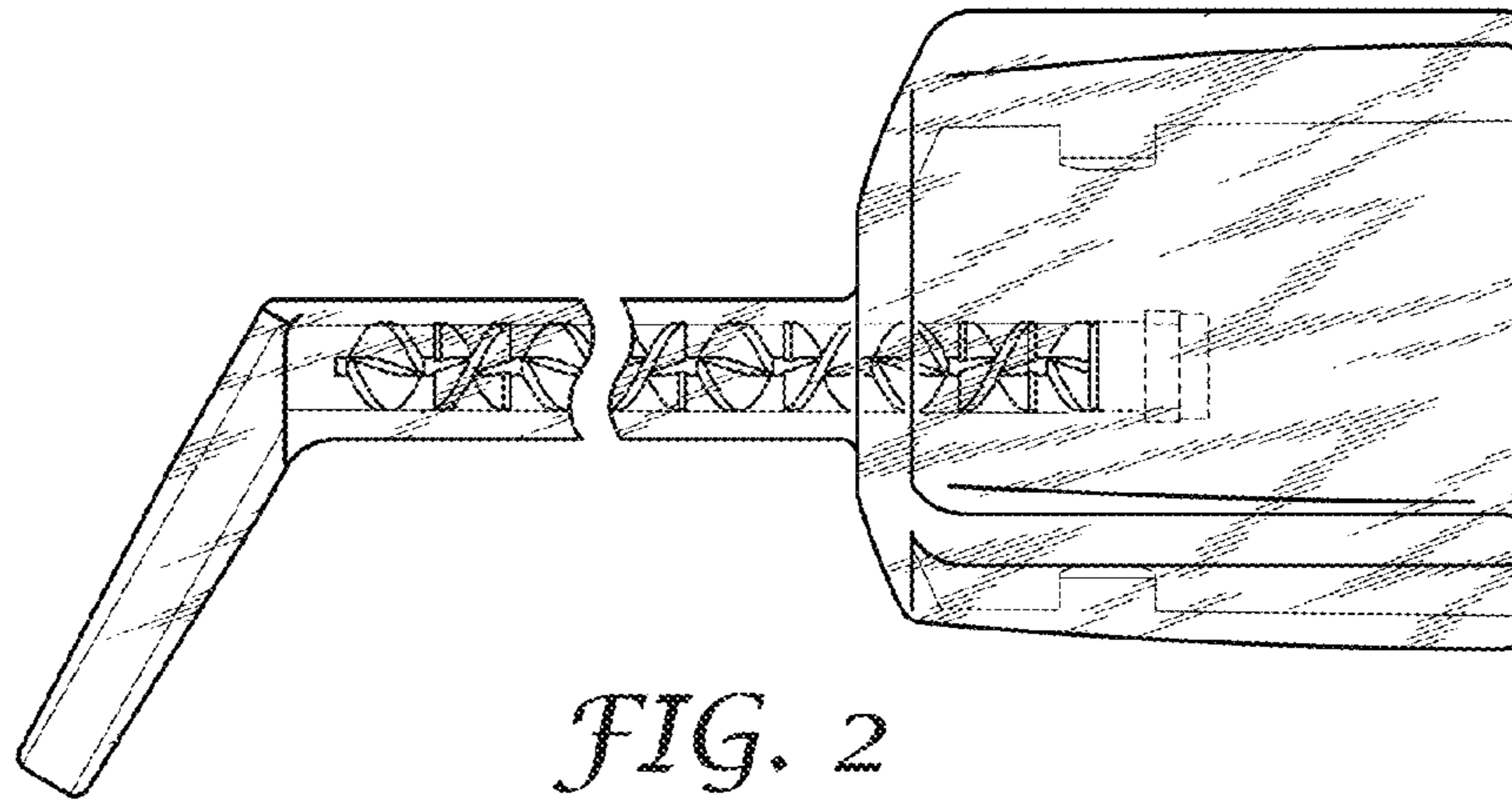


FIG. 2

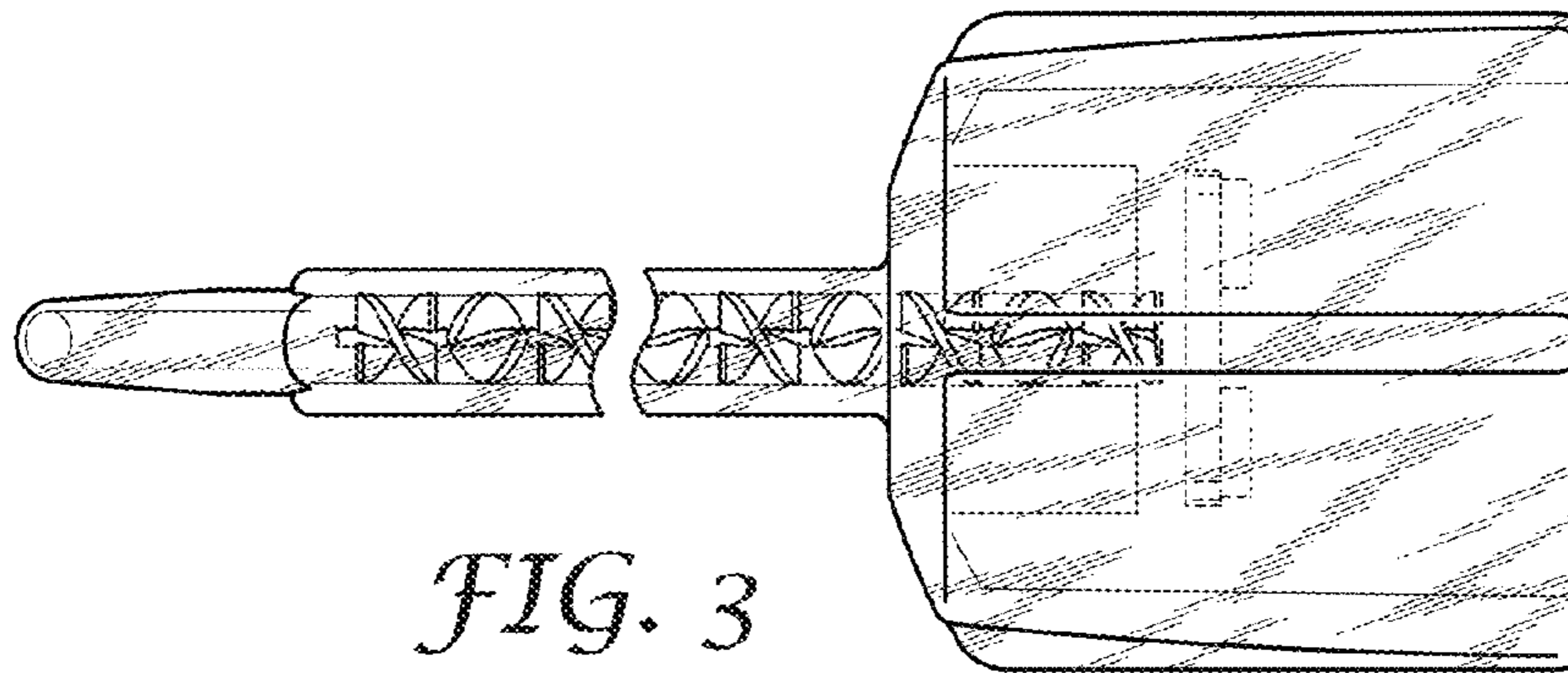


FIG. 3

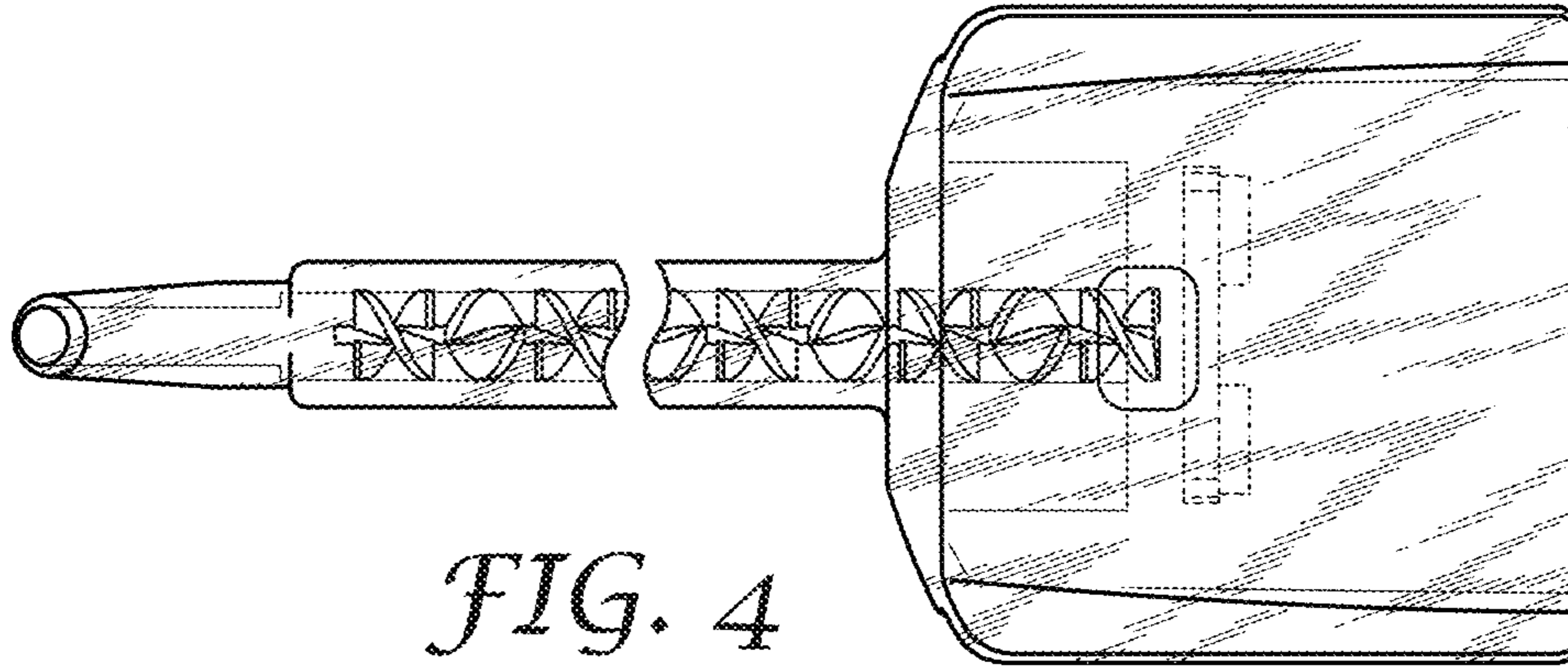


FIG. 4

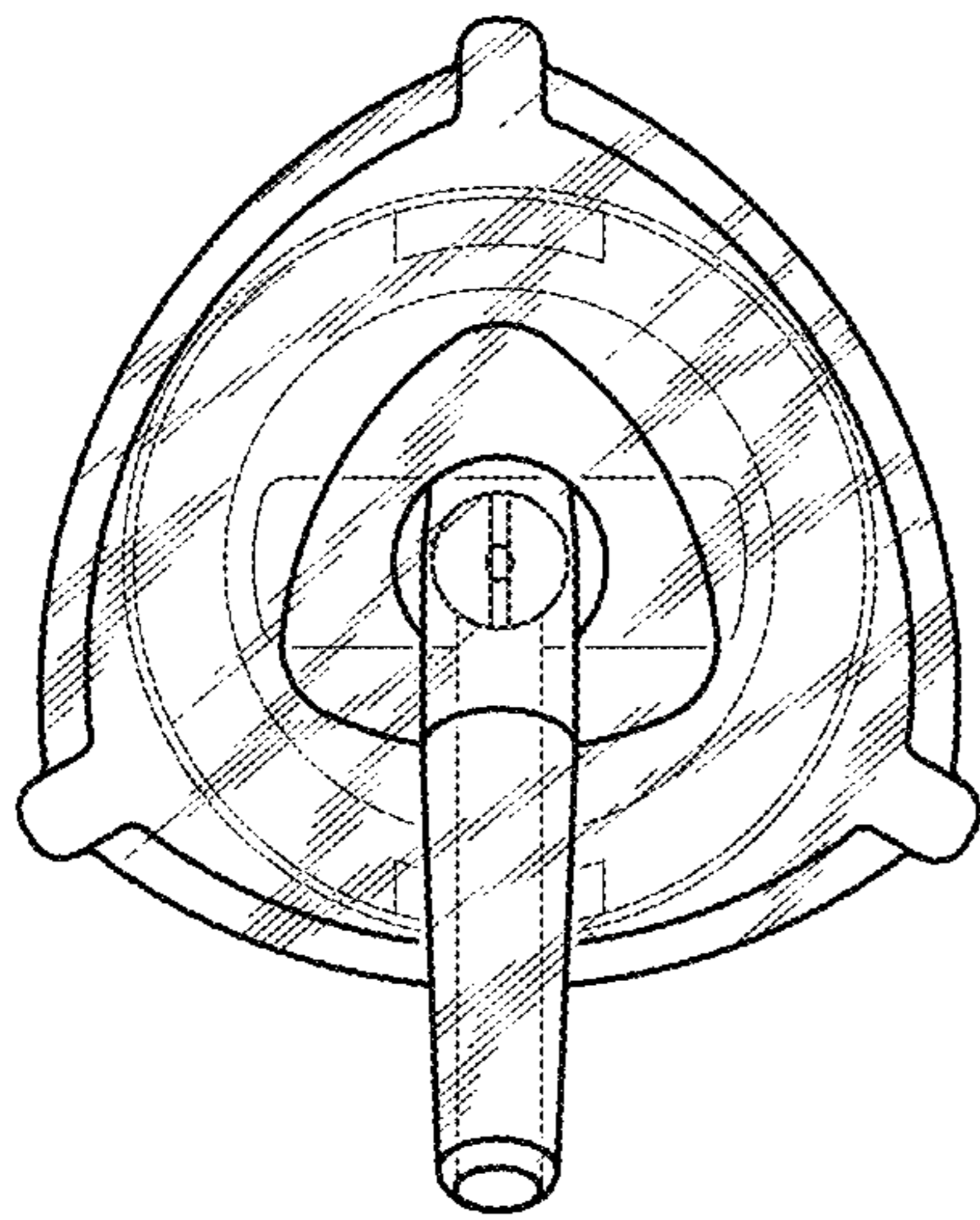


FIG. 5

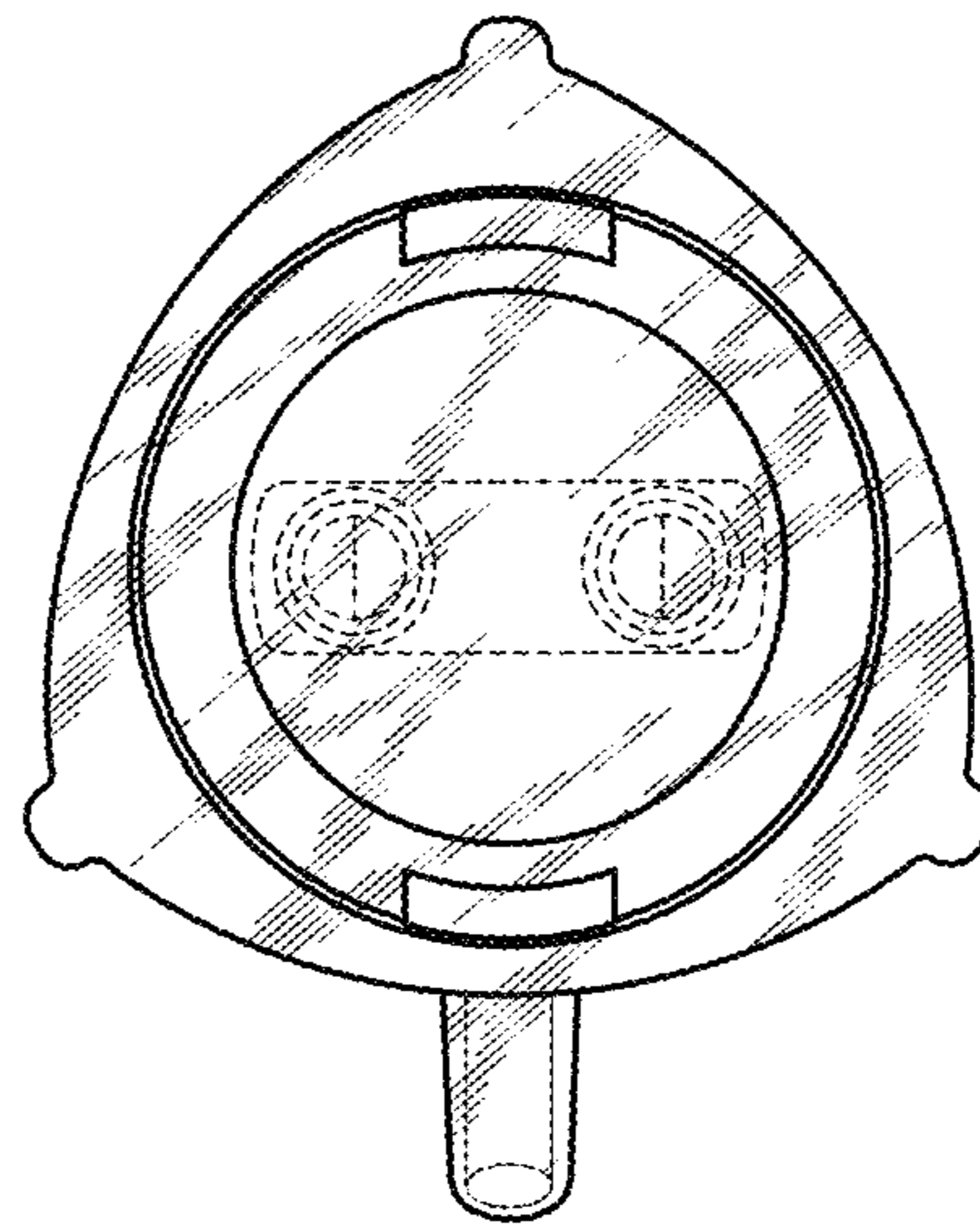


FIG. 6