



US00D754538S

(12) **United States Design Patent**  
**Roesler**

(10) **Patent No.:** **US D754,538 S**

(45) **Date of Patent:** **\*\* Apr. 26, 2016**

(54) **CAP FOR PACKAGE**

(71) Applicant: **Peter Roesler**, Wangen (DE)

(72) Inventor: **Peter Roesler**, Wangen (DE)

(73) Assignee: **Rose Plastic AG** (DE)

(\*\*) Term: **14 Years**

(21) Appl. No.: **29/502,409**

(22) Filed: **Sep. 16, 2014**

(51) **LOC (10) Cl.** ..... **09-07**

(52) **U.S. Cl.**  
USPC ..... **D9/443**

(58) **Field of Classification Search**  
USPC ..... D7/300, 300.1, 300.2, 303, 313, 317,  
D7/602, 387, 509, 510, 511, 538; D9/434,  
D9/435, 436, 439, 440, 441, 442, 443, 444,  
D9/445, 446, 447, 448, 449, 450, 451, 452,  
D9/453, 454, 499; D3/203.2, 202  
CPC ..... B65D 41/26; B65D 41/32; B65D 59/06;  
B65D 47/0814; B65D 47/2013; B65D 51/249;  
B65D 2251/1066; B65D 41/02; B65D 23/00;  
B65D 39/08; B67D 3/0032; A47G 19/26;  
A47G 19/2266; B65F 1/14

See application file for complete search history.

(56) **References Cited**

**U.S. PATENT DOCUMENTS**

D135,618 S *	5/1943	McIntosh	.....	D9/414
D198,723 S *	7/1964	Groves	.....	D9/443
D200,447 S *	2/1965	Lerner	.....	220/805
D207,887 S *	6/1967	Parslsson	.....	D9/439
D228,746 S *	10/1973	Kuchenbucker	.....	D9/435
D233,418 S *	10/1974	Allgeyar	.....	D9/444
D248,091 S *	6/1978	Frydendal	.....	D9/439
D284,946 S *	8/1986	Augros	.....	D9/435

D296,193 S *	6/1988	Keeler	.....	D9/435
D312,574 S *	12/1990	Geiger	.....	D9/435
5,829,591 A *	11/1998	Lyons	.....	B65D 21/086 206/373
D421,906 S *	3/2000	Jauffret	.....	D9/435
D525,526 S *	7/2006	Abbott	.....	D9/449
D536,613 S *	2/2007	Vogel	.....	D9/438
D540,669 S *	4/2007	George	.....	D7/392.1
D608,656 S *	1/2010	Wilkes	.....	D9/434
D645,350 S *	9/2011	Degeyter	.....	D9/454
D655,606 S *	3/2012	Snedden	.....	D9/452
D668,913 S *	10/2012	Mayer	.....	D7/510
D709,365 S *	7/2014	Graindorge	.....	D9/432
D710,194 S *	8/2014	Roesler	.....	D9/432
D741,709 S *	10/2015	Sohler	.....	D9/432
2010/0193533 A1 *	8/2010	Roesler	.....	B65D 59/08 220/780
2013/0062234 A1 *	3/2013	Roesler	.....	B65D 21/086 206/349
2015/0076149 A1 *	3/2015	Roesler	.....	B65D 25/14 220/212

\* cited by examiner

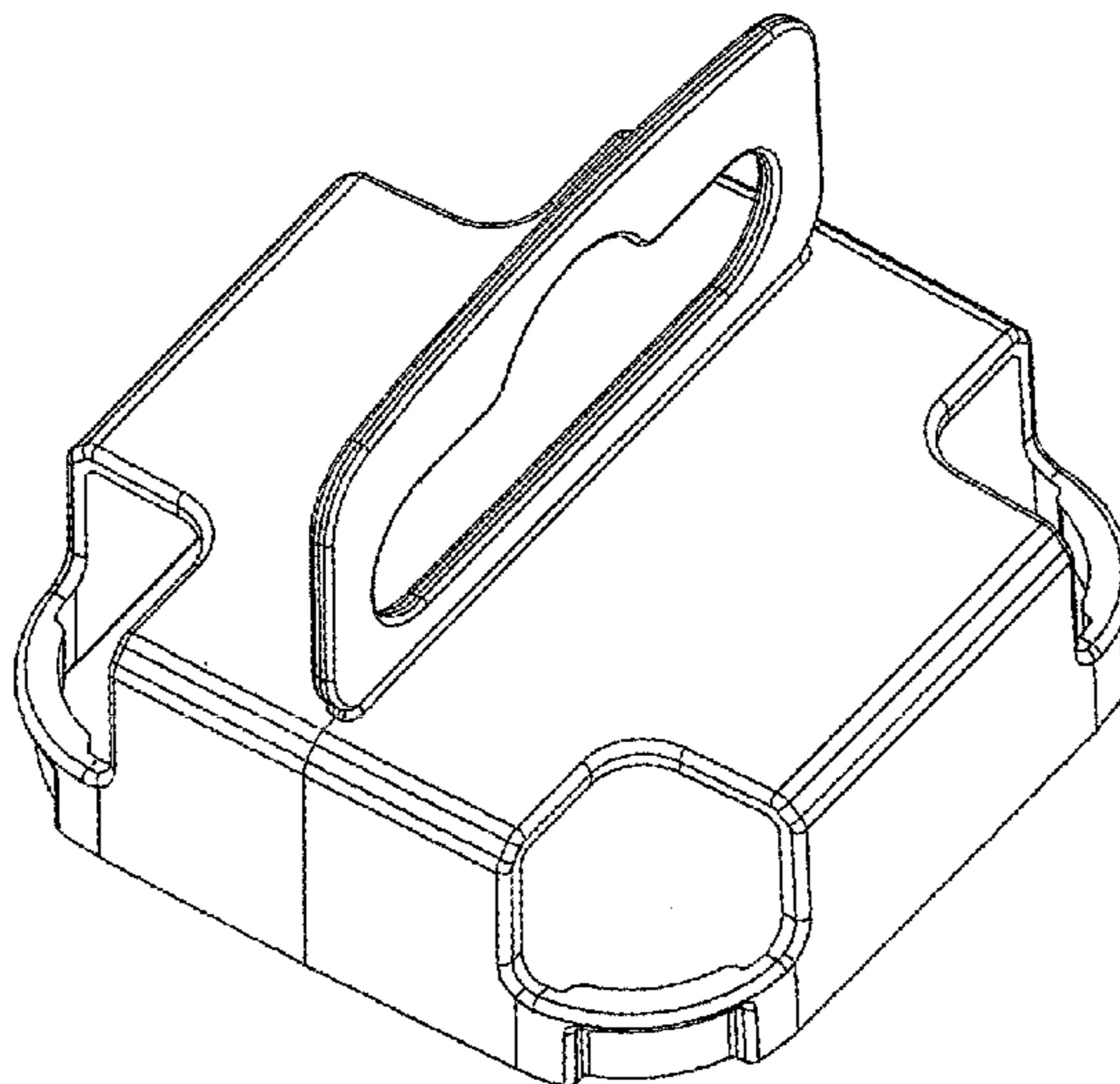
*Primary Examiner* — Robert M Spear  
*Assistant Examiner* — Marissa J Cash  
(74) *Attorney, Agent, or Firm* — Cohen & Grigsby, P.C.

(57) **CLAIM**  
I claim the ornamental design for a cap for package, as shown and described.

**DESCRIPTION**

FIG. 1 is a top perspective view of the cap for package.  
FIG. 2 is a bottom perspective view of the cap for package.  
FIG. 3 is a top plan view of the cap for package.  
FIG. 4 is a bottom plan view of the cap for package.  
FIG. 5 is a right side elevation view of the cap for package.  
FIG. 6 is a left side elevation view of the cap for package.  
FIG. 7 is a front elevation view of the cap for package; and,  
FIG. 8 is a rear elevation view of the cap for package.

**1 Claim, 8 Drawing Sheets**



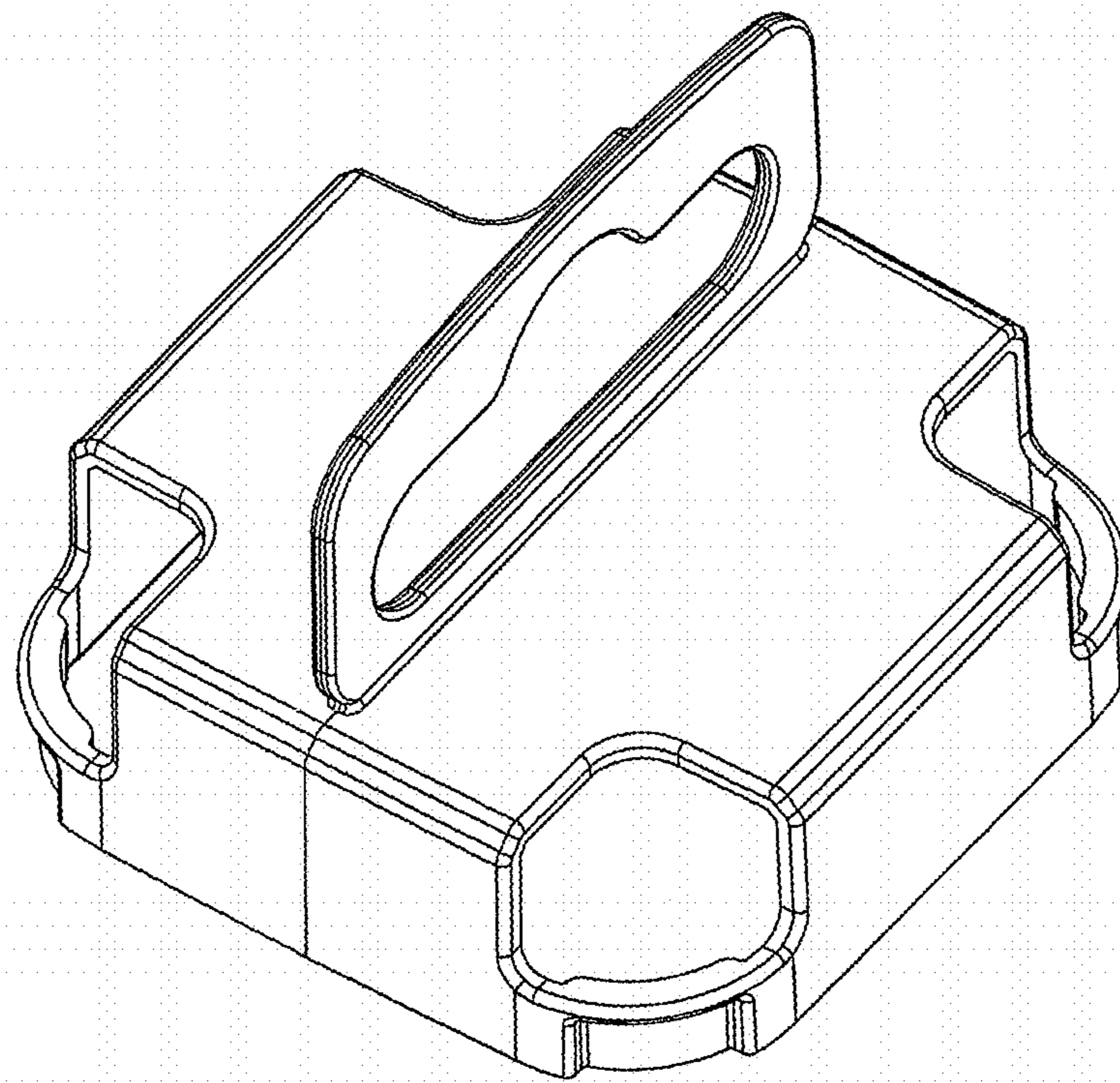


Fig. 1

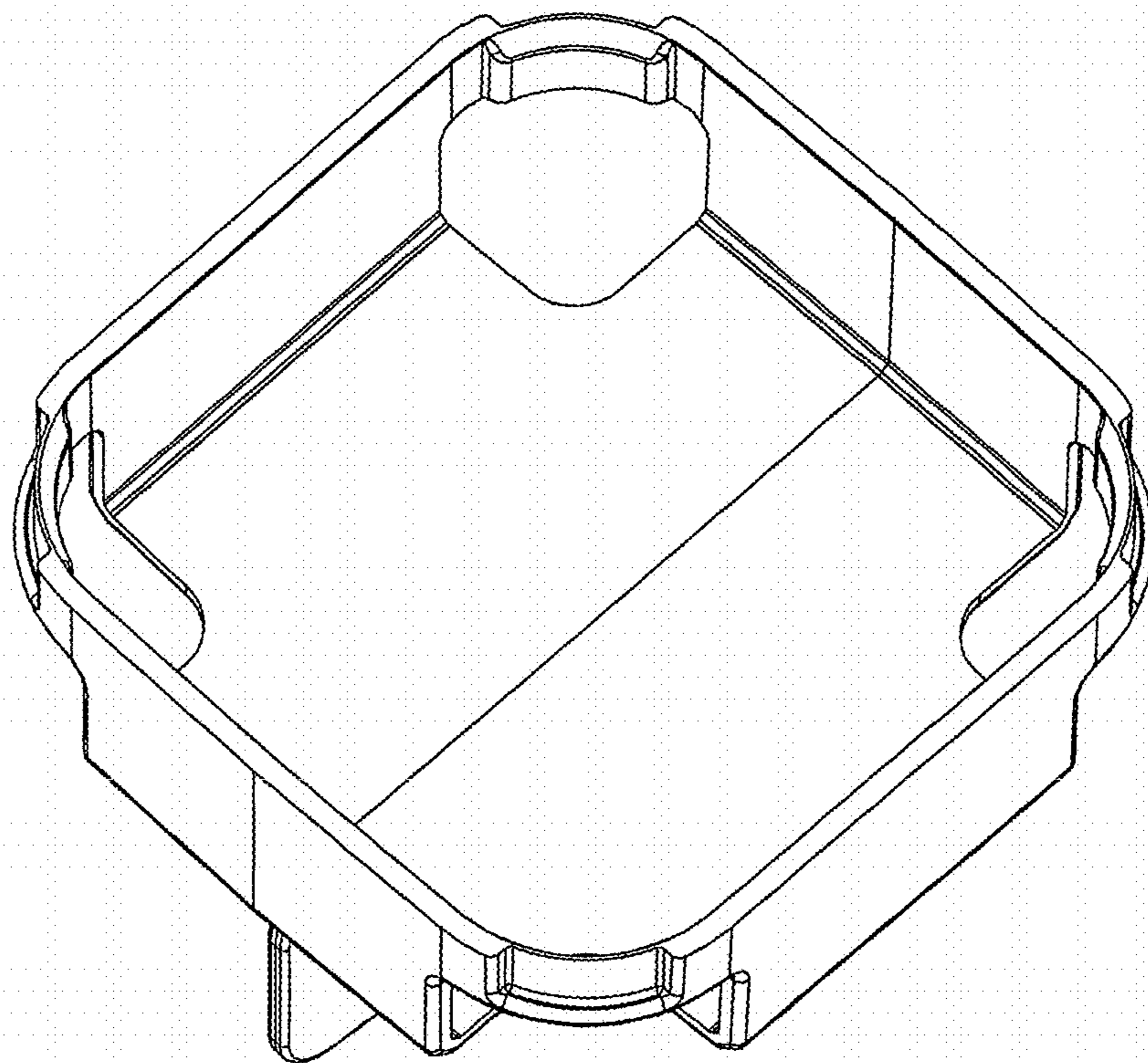


Fig. 2

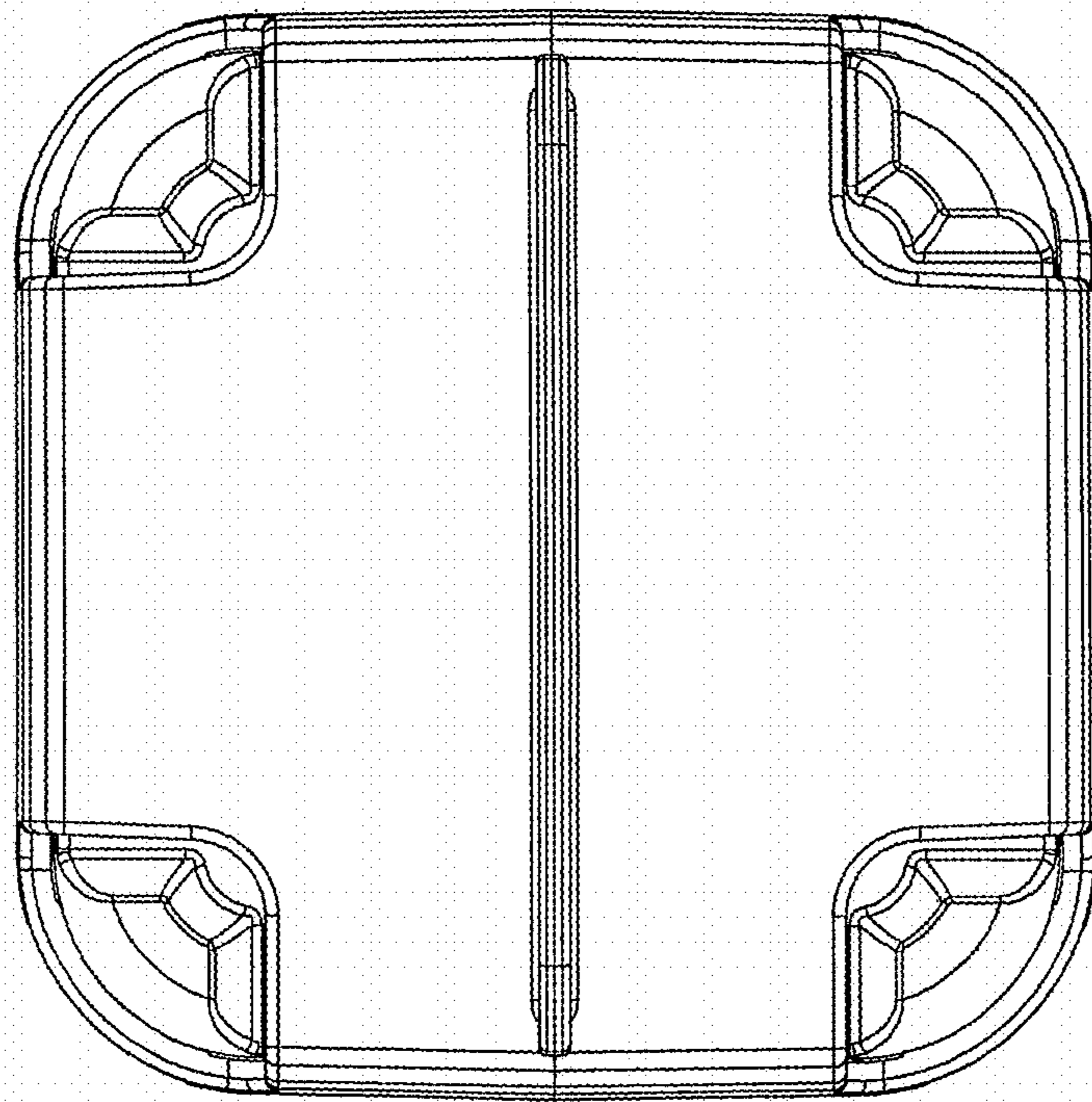


Fig. 3

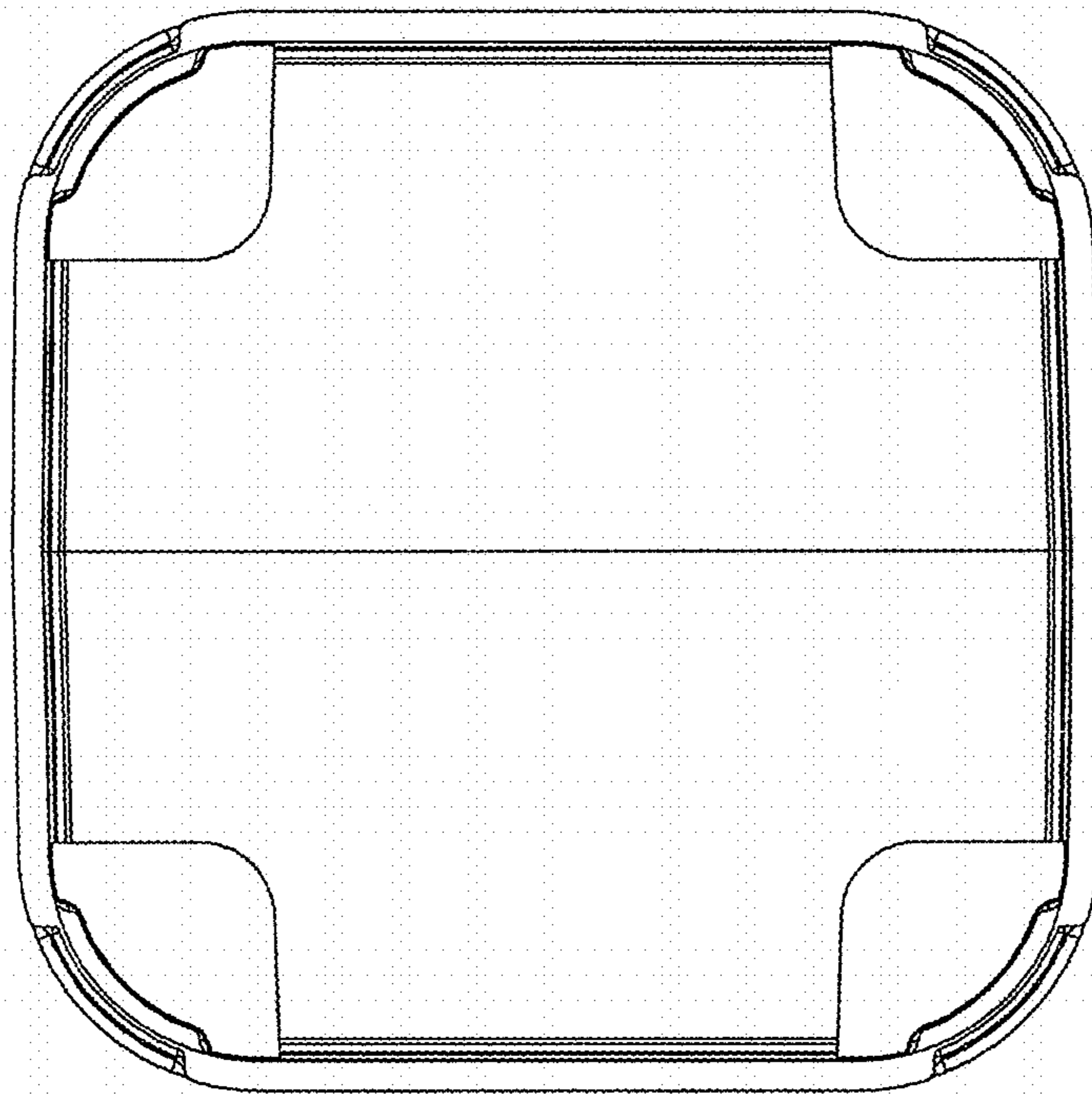


Fig. 4

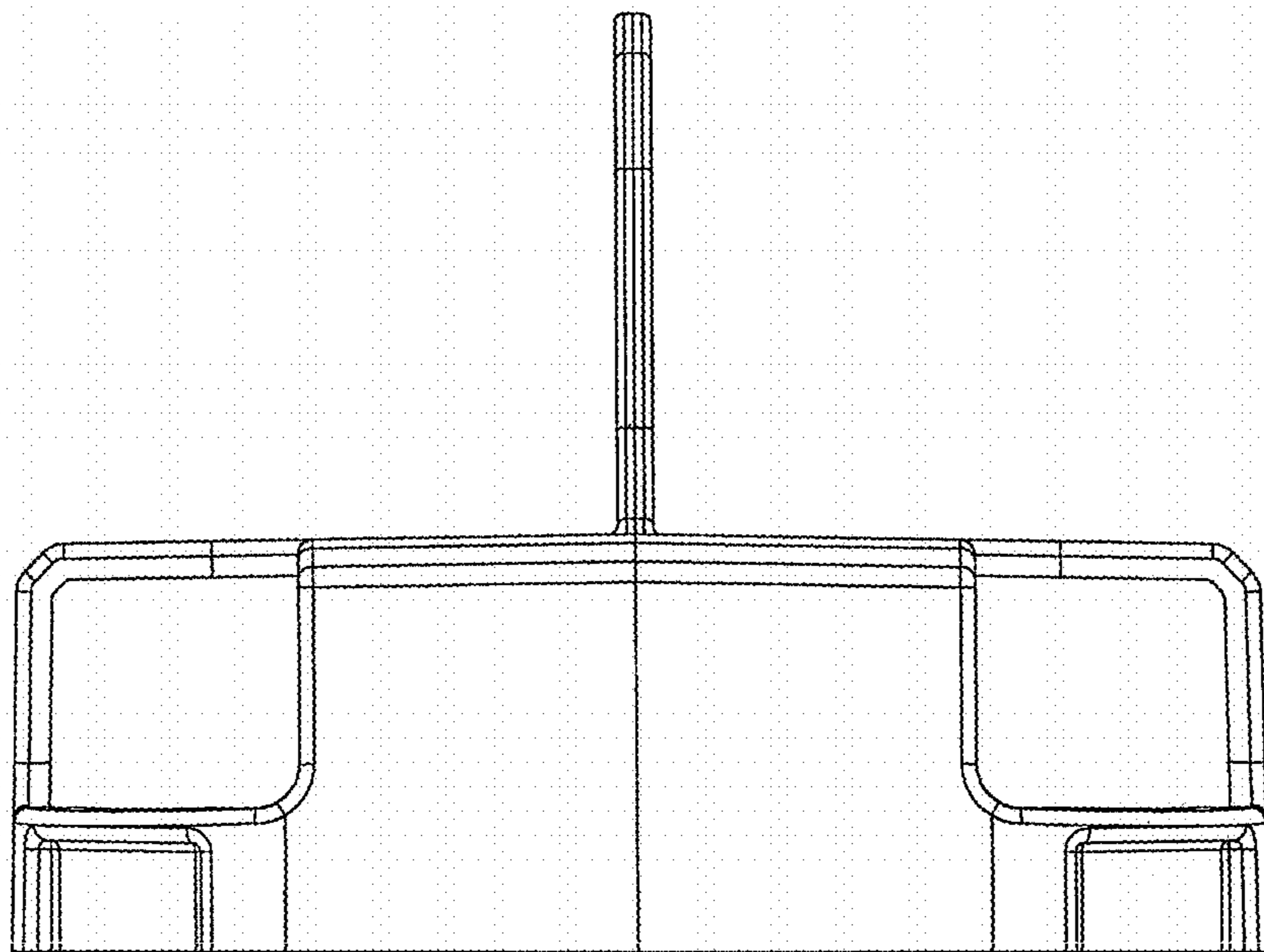


Fig. 5

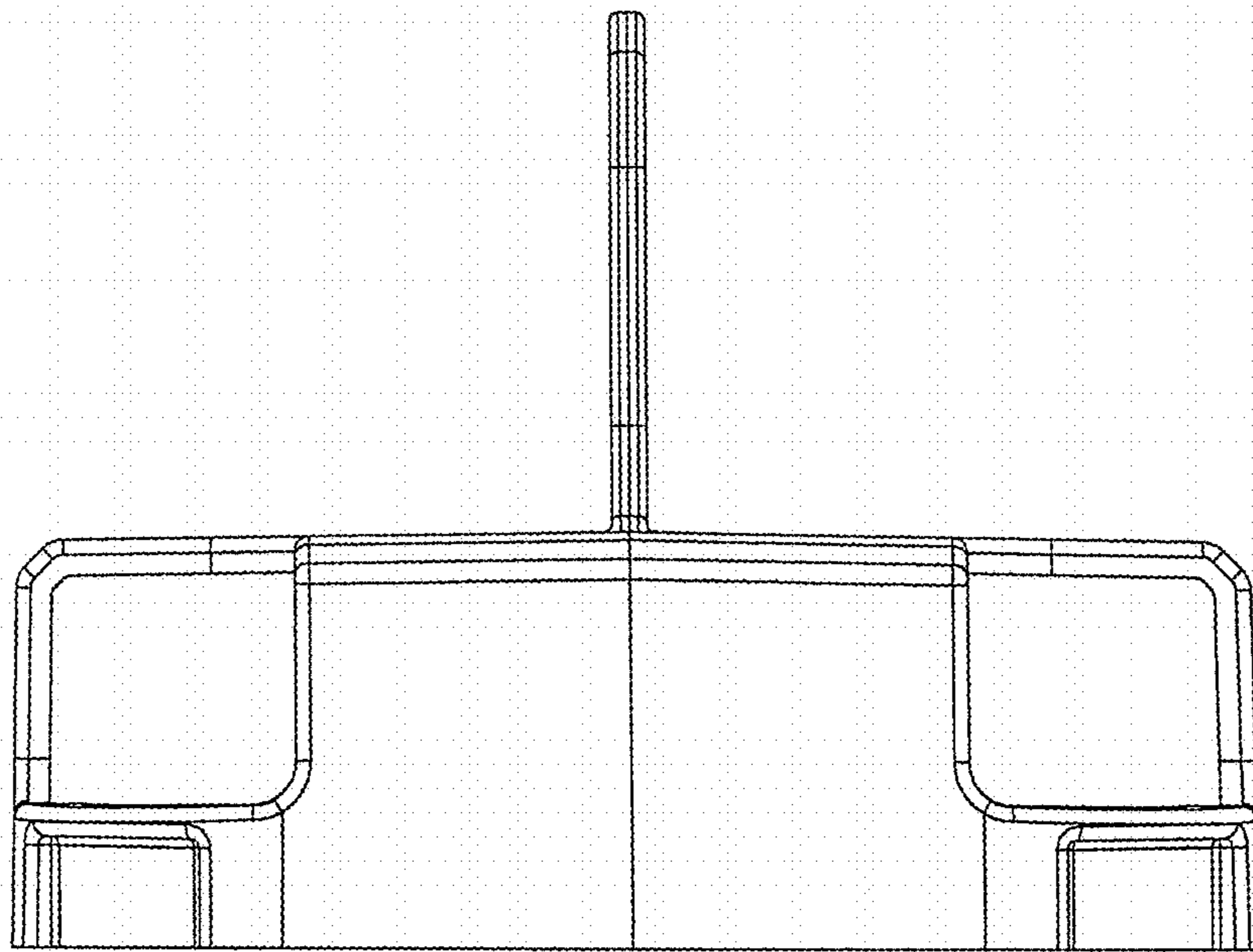


Fig. 6

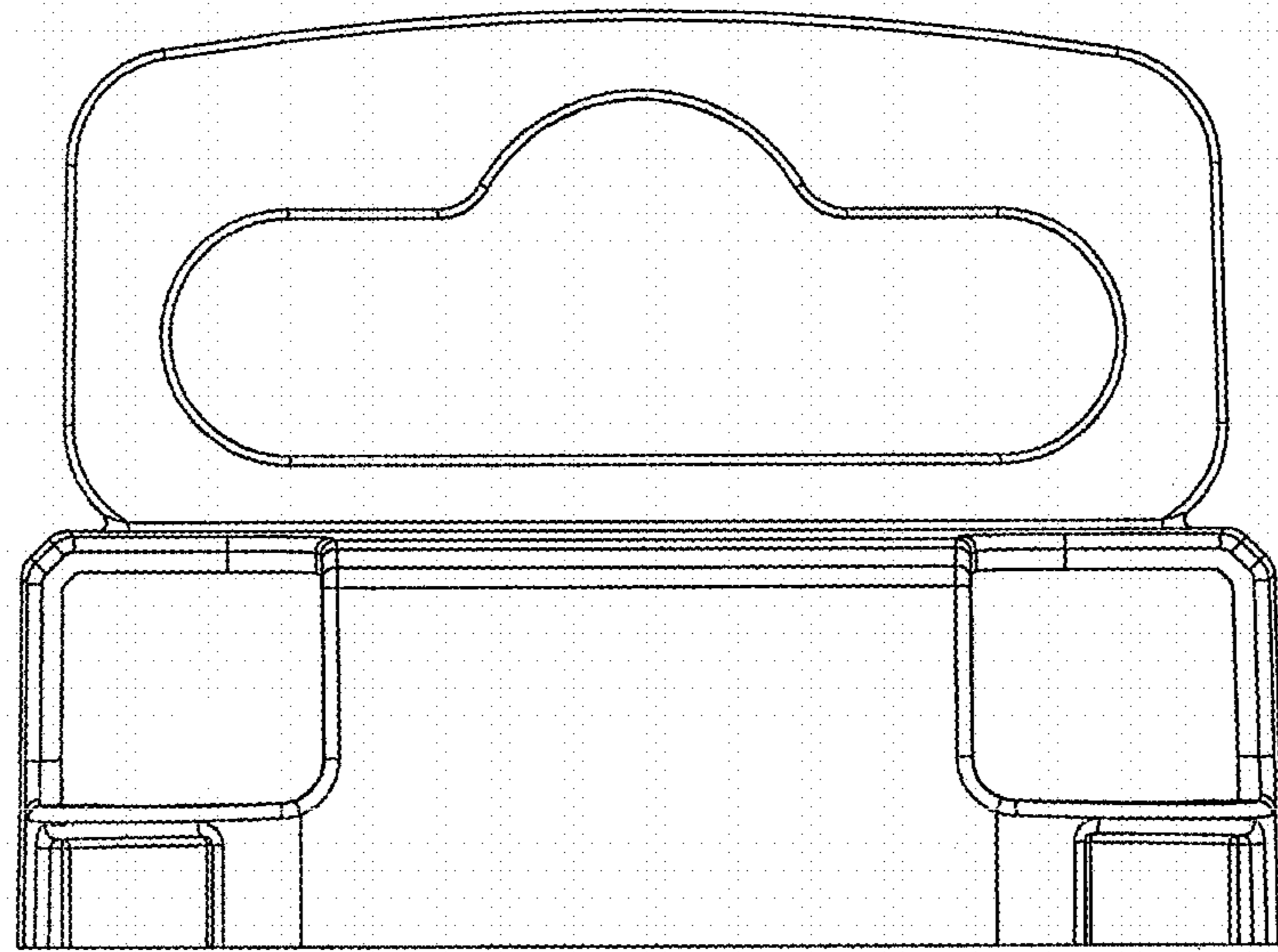


Fig. 7



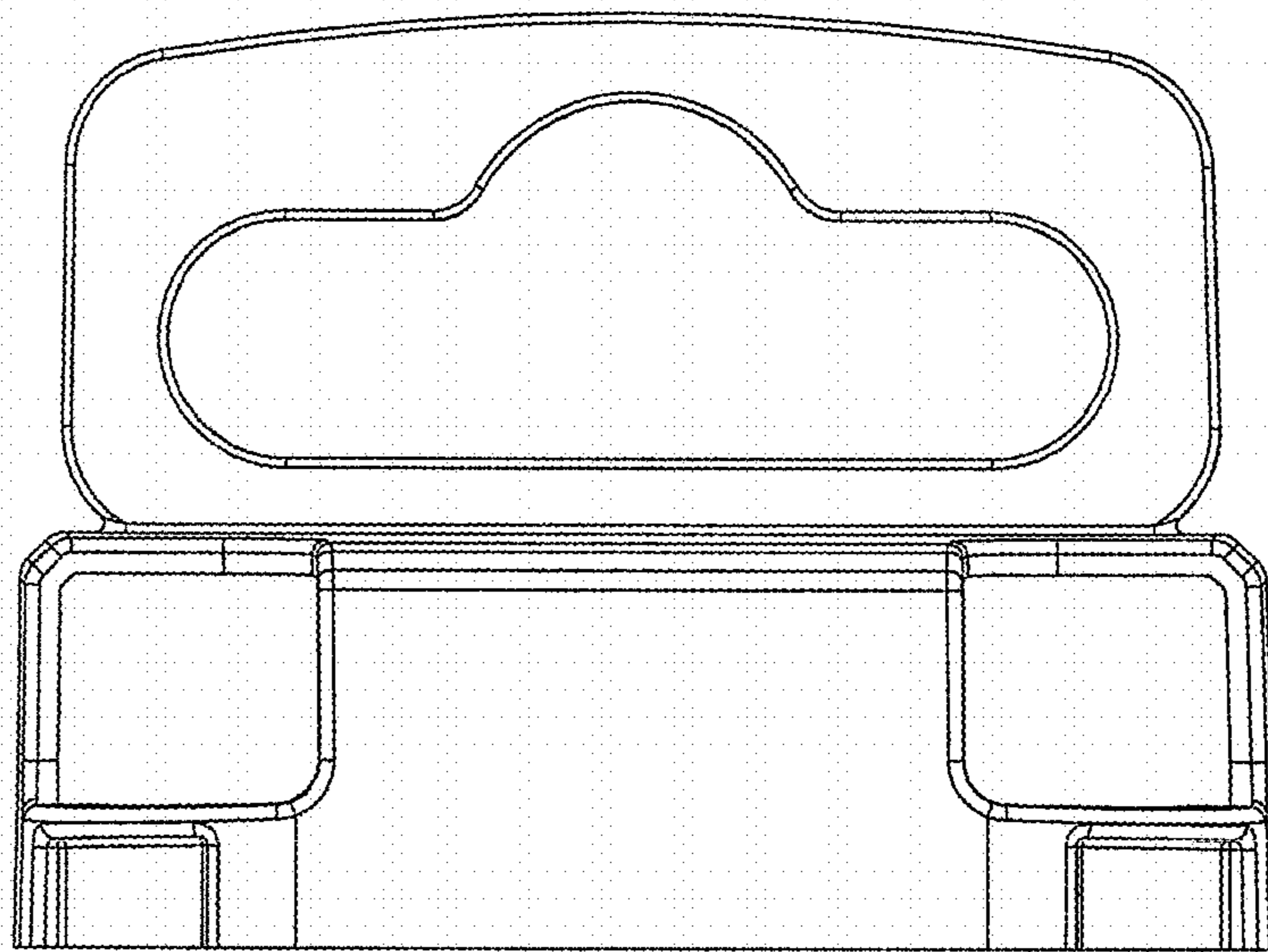


Fig. 8