

US00D754537S

(12) **United States Design Patent**  
**Prozumenshchikov**

(10) **Patent No.:** **US D754,537 S**  
(45) **Date of Patent:** **\*\* Apr. 26, 2016**

(54) <b>BOTTLE CAP</b>	6,374,726 B1 * 4/2002 Melton ..... A47G 19/16 220/712
(71) Applicant: <b>Andrey Prozumenshchikov</b> , Moscow (RU)	7,114,625 B2 * 10/2006 Jones ..... B65D 41/0414 215/305
(72) Inventor: <b>Andrey Prozumenshchikov</b> , Moscow (RU)	D639,657 S * 6/2011 Hoyt ..... D9/439 D686,496 S * 7/2013 Strauli ..... D9/434 D692,605 S * 10/2013 Madonia ..... D26/51 D722,804 S * 2/2015 Kay ..... D7/300.1 D729,063 S * 5/2015 Koop ..... D9/439
(**) Term: <b>14 Years</b>	2006/0289569 A1 * 12/2006 Prozumenshchikov B65D 49/02

(21) Appl. No.: **29/507,302**

(22) Filed: **Oct. 27, 2014**

(51) **LOC (10) Cl.** ..... **09-07**

(52) **U.S. Cl.**  
USPC ..... **D9/439**

(58) **Field of Classification Search**  
USPC ..... D7/300, 300.1, 300.2, 303, 316, 317,  
D7/396.2, 397, 398, 509, 510, 511, 392.1;  
D9/738, 763, 778, 434, 435, 436, 439,  
D9/445, 447, 448, 449, 450, 452, 453, 454,  
D9/438; D28/82  
CPC ..... A47G 19/22; B65D 41/04; B65D 47/06  
See application file for complete search history.

(56) **References Cited**

**U.S. PATENT DOCUMENTS**

4,444,340 A *	4/1984	Bond	.....	B65D 47/2025 222/498
D292,673 S *	11/1987	Woodruff	.....	D9/439
D308,170 S *	5/1990	Wilfong, Jr.	.....	D9/447
D370,629 S *	6/1996	Lynch	.....	D9/439
D396,636 S *	8/1998	Wilfong, Jr.	.....	D9/447

\* cited by examiner

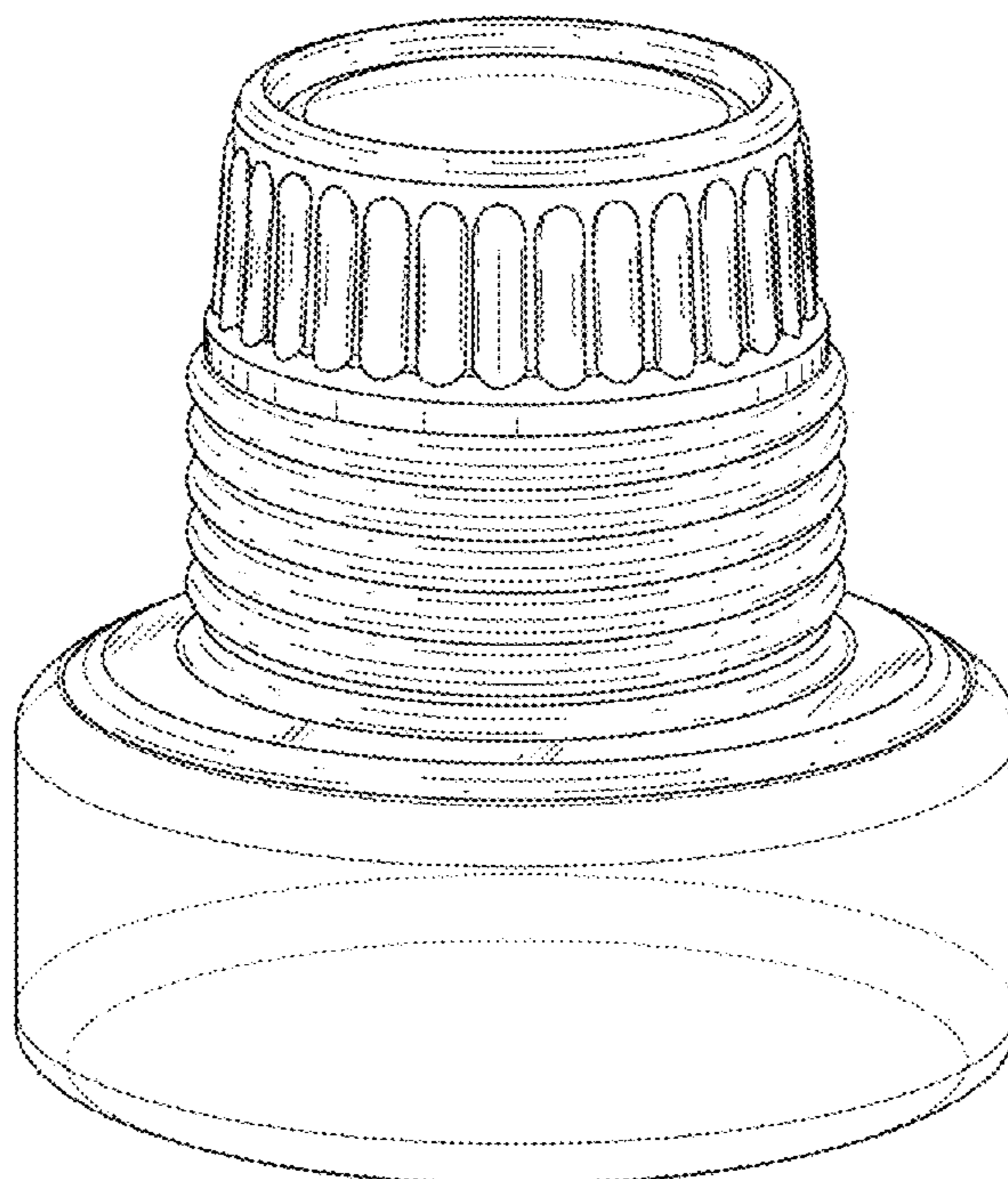
*Primary Examiner* — Robert M Spear  
*Assistant Examiner* — Marissa J Cash  
(74) *Attorney, Agent, or Firm* — John Alumit

(57) **CLAIM**  
I claim the ornamental design of a bottle cap, as shown and described herein.

**DESCRIPTION**

FIG. 1 is a side view of a bottle cap according to the new design.  
FIG. 2 is a top view of the bottle cap according to the new design.  
FIG. 3 is a perspective view of the bottle cap according to the new design; and,  
FIG. 4 is a bottom view of the bottle cap according to the new design.

**1 Claim, 4 Drawing Sheets**



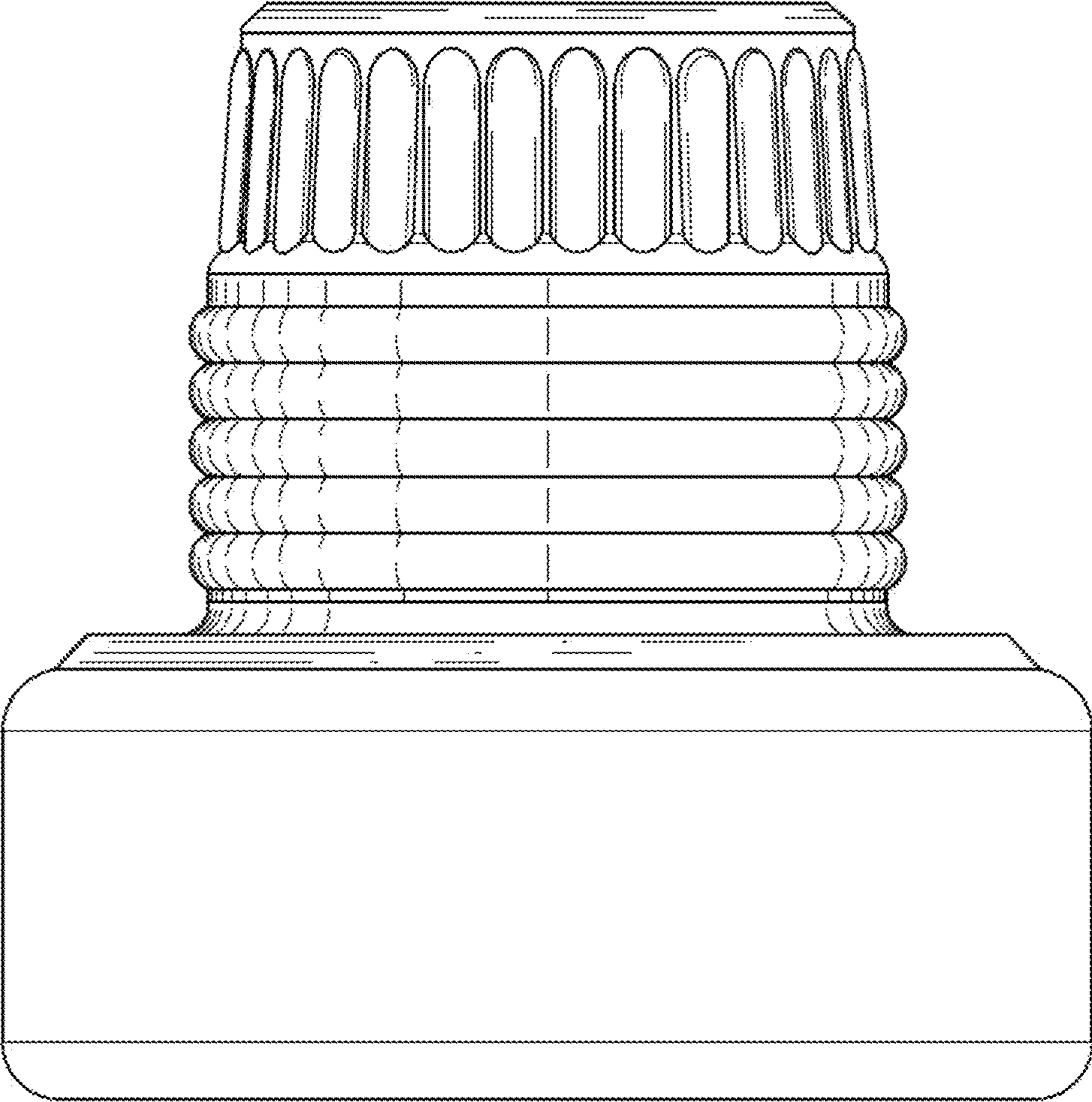


FIG. 1

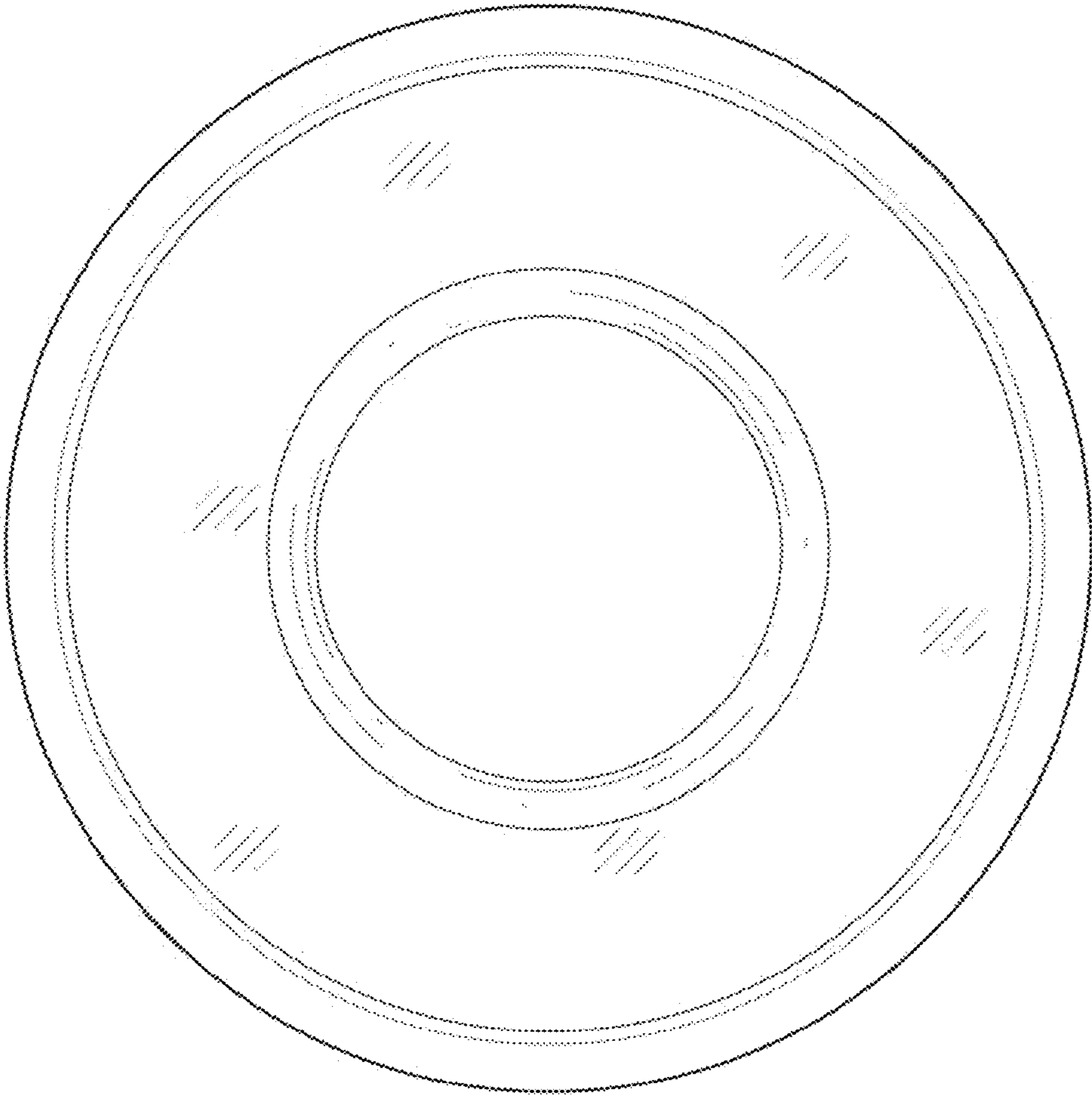


FIG. 2



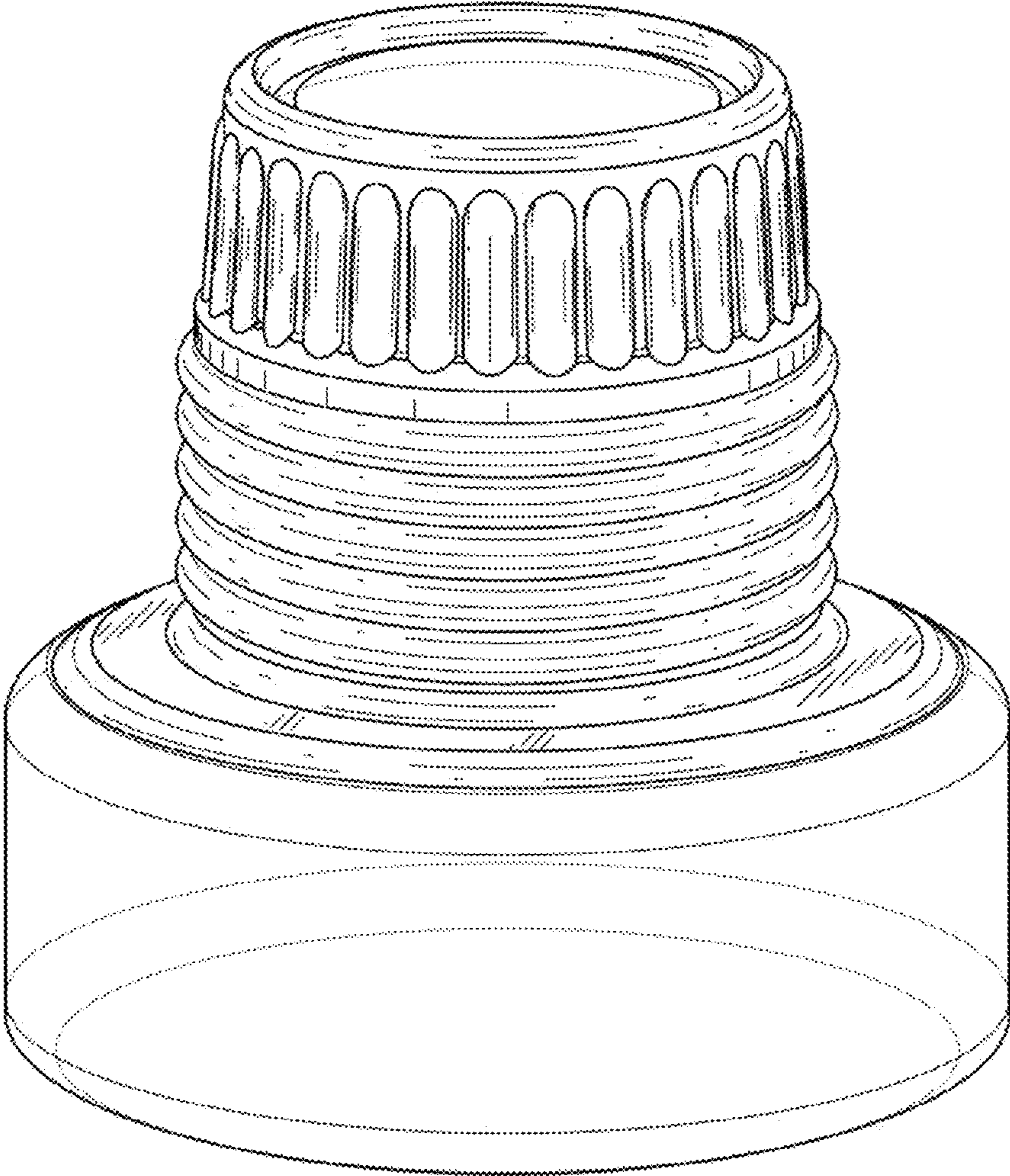


FIG. 3

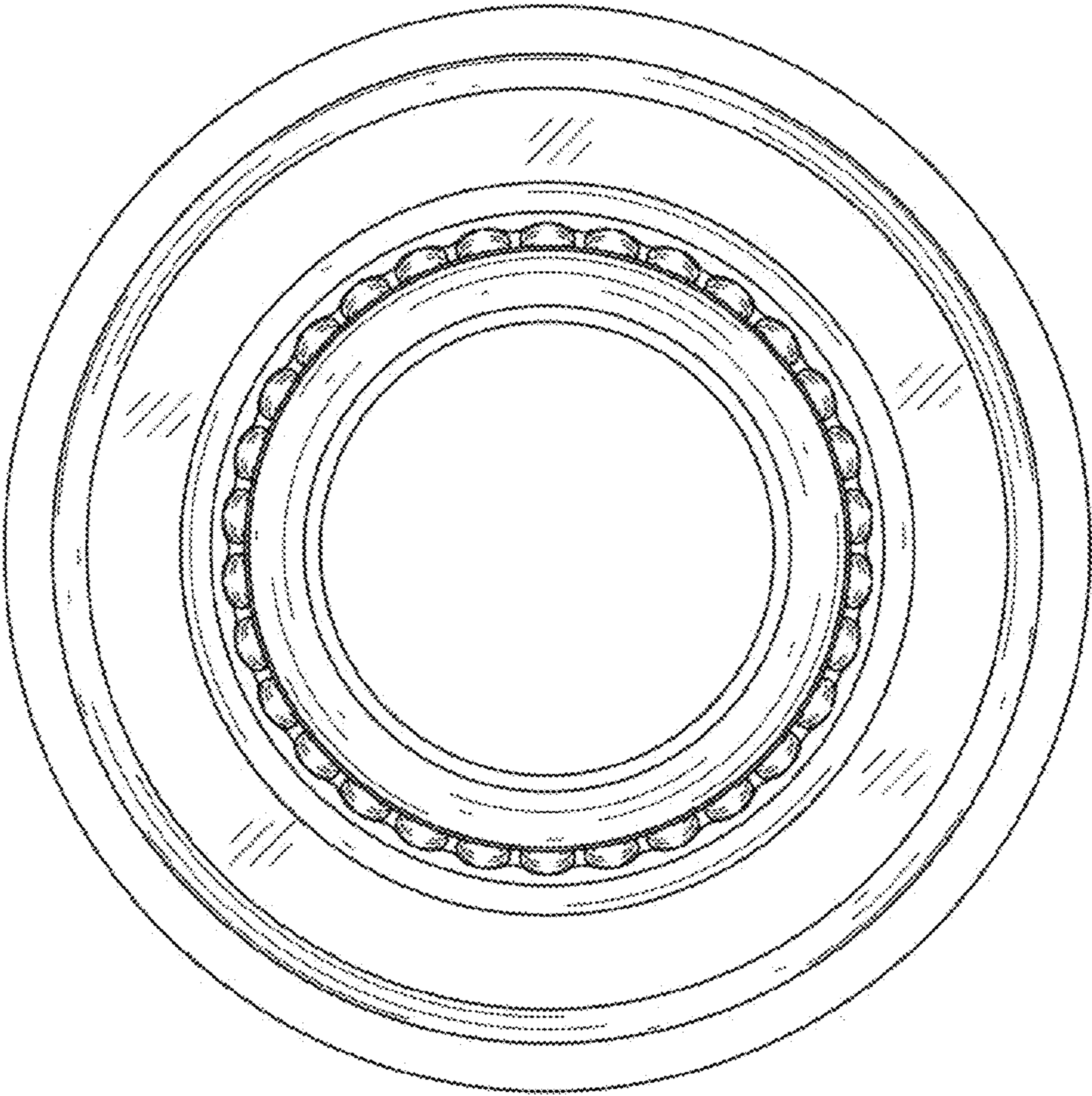


FIG. 4