



US00D754536S

(12) **United States Design Patent**
Arriaga

(10) **Patent No.:** **US D754,536 S**
(45) **Date of Patent:** **** Apr. 26, 2016**

(54) **BOTTLE CAP WITH INTEGRATED BOTTLE OPENER**

- (71) Applicant: **Huitzilo Arriaga**, Santa Ana, CA (US)
- (72) Inventor: **Huitzilo Arriaga**, Santa Ana, CA (US)
- (**) Term: **15 Years**
- (21) Appl. No.: **29/535,997**
- (22) Filed: **Aug. 12, 2015**
- (51) **LOC (10) Cl.** **09-07**
- (52) **U.S. Cl.**
USPC **D9/436**
- (58) **Field of Classification Search**
USPC D9/434, 435, 436, 440, 443, 444, 445,
D9/499; D8/33, 34; 215/226, 228, 303,
215/390
CPC ... B65D 51/24; B65D 51/243; B65D 41/0485
See application file for complete search history.

(56) **References Cited**

U.S. PATENT DOCUMENTS

- 1,978,627 A * 10/1934 Gouverneur B28B 3/022
425/418
- 2,939,210 A * 6/1960 Cannan B26D 3/10
30/124

(Continued)

OTHER PUBLICATIONS

Island Dogs Bottle Opener Ring, 2-Piece, downloaded Oct. 21, 2015 from amazon.com, 6 pages. Found online at: http://www.amazon.com/Island-Dogs-Bottle-Opener-2-Piece/dp/B0019HX4RY/ref=pd_rhf_dp_p_img_2?ie=UTF8&refRID=1YRZYF8TM4ZNCRH5RJDP.*

(Continued)

Primary Examiner — Robert M Spear

(74) *Attorney, Agent, or Firm* — Steve Reiss Patent Law Office; Steve Reiss

(57) **CLAIM**

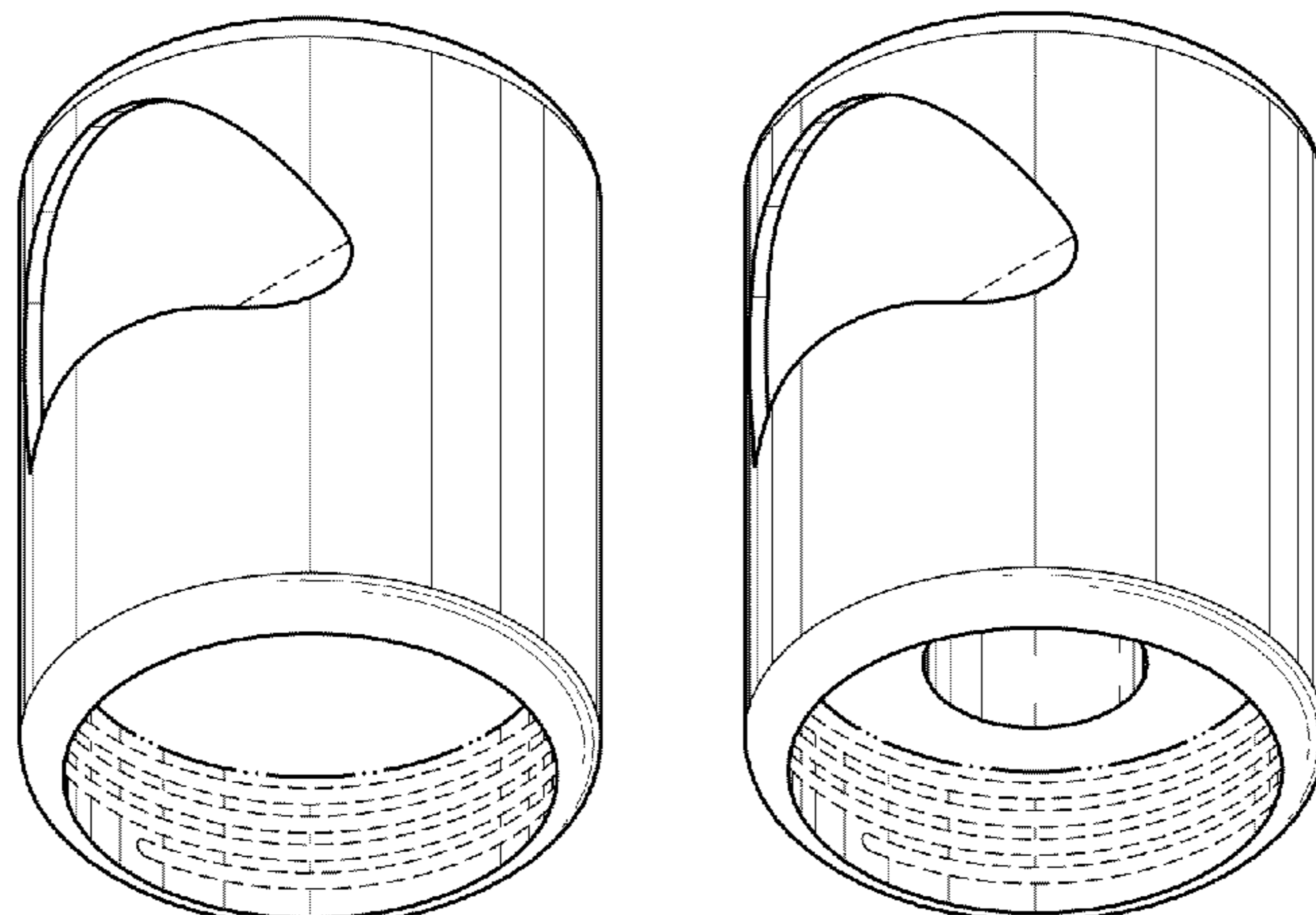
The ornamental design for a bottle cap with integrated bottle opener, as shown and described.

DESCRIPTION

This application is related to U.S. Utility patent application Ser. No. 14/824,743, filed concurrently with this application. FIG. 1 is a perspective view of a bottle cap with integrated bottle opener according to a first exemplary embodiment;

FIG. 2 is a front elevation view thereof.
 FIG. 3 is a left side elevation view thereof.
 FIG. 4 is a rear elevation view thereof.
 FIG. 5 is a right side elevation view thereof.
 FIG. 6 is a top plan view thereof.
 FIG. 7 is a bottom plan view thereof.
 FIG. 8 is a perspective view of a bottle cap with integrated opener according to a second exemplary embodiment.
 FIG. 9 is a perspective view of the exemplary embodiment shown in FIG. 8 in a first configuration.
 FIG. 10 is a perspective view of the exemplary embodiment shown in FIG. 8 in a second configuration.
 FIG. 11 is a front elevation view of the exemplary embodiment shown in FIG. 8 in the first configuration.
 FIG. 12 is a left side elevation view of the exemplary embodiment shown in FIG. 8 in the first configuration.
 FIG. 13 is a rear elevation view of the exemplary embodiment shown in FIG. 8 in the first configuration.
 FIG. 14 is a right side elevation view of the exemplary embodiment shown in FIG. 8 in the first configuration.
 FIG. 15 is a top plan view of the exemplary embodiment shown in FIG. 8 in the first configuration.
 FIG. 16 is a bottom plan view of the exemplary embodiment shown in FIG. 8.
 FIG. 17 is a perspective view of a bottle cap with integrated opener according to a third exemplary embodiment.
 FIG. 18 is a perspective view of the exemplary embodiment shown in FIG. 17 in a first configuration.
 FIG. 19 is a perspective view of the exemplary embodiment shown in FIG. 17 in a second configuration.
 FIG. 20 is a front plan view of the exemplary embodiment shown in FIG. 17 in the first configuration.
 FIG. 21 is a left side elevation view of the exemplary embodiment shown in FIG. 17 in the first configuration.
 FIG. 22 is a rear elevation view of the exemplary embodiment shown in FIG. 17 in the first configuration.
 FIG. 23 is a right side elevation view of the exemplary embodiment shown in FIG. 17 in the first configuration.
 FIG. 24 is a top plan view of the exemplary embodiment shown in FIG. 17 in the first configuration.
 FIG. 25 is a bottom plan view of the exemplary embodiment shown in FIG. 17; and,
 FIG. 26 is a side elevation view of an exemplary embodiment of the bottle cap with integrated opener in an exemplary configuration.
 Unshaded surfaces form no part of the claim. The broken lines of all the figures are for the purpose of illustrating environment and form no part of the claimed design.

1 Claim, 9 Drawing Sheets



(56)

References Cited

U.S. PATENT DOCUMENTS

D278,517 S 4/1985 Milin
D308,929 S * 7/1990 Greig D27/144
5,467,891 A * 11/1995 Perry B65D 81/3886
220/62.11
6,039,207 A * 3/2000 Adamek B65D 81/3879
215/303
D427,069 S * 6/2000 Carter D9/436
D559,629 S * 1/2008 Gifford, Jr. D7/608
D653,512 S 2/2012 Frazier
D658,985 S * 5/2012 Sadykov D9/436
D684,448 S * 6/2013 Delgado D8/34
8,720,714 B2 5/2014 Romero
D726,007 S * 4/2015 Beth-Jacob D9/436
D733,496 S * 7/2015 Pisarevsky D7/507

2008/0098853 A1 5/2008 Choate
2008/0296249 A1 12/2008 Lockerman
2011/0107878 A1 5/2011 Gust
2013/0048592 A1 2/2013 Carley

OTHER PUBLICATIONS

My Top Off Single Stainless Push-Down Bottle Opener, downloaded Oct. 21, 2015 from amazon.com, 4 pages. Found online at: <http://www.amazon.com/dp/B007XIV3FI?psc=1>.
Bottle Opener by Peter Holmblad for Stelton, downloaded Oct. 21, 2015 from amazon.com, 3 pages. Found online at: http://www.amazon.com/bottle-opener-peter-holmblad-stelton/dp/B00412U4MM/ref=sr_1_3?s=kitchen&ie=UTF8&qid=1445437732&sr=1-3&keywords=stelton+bottle+opener.

* cited by examiner

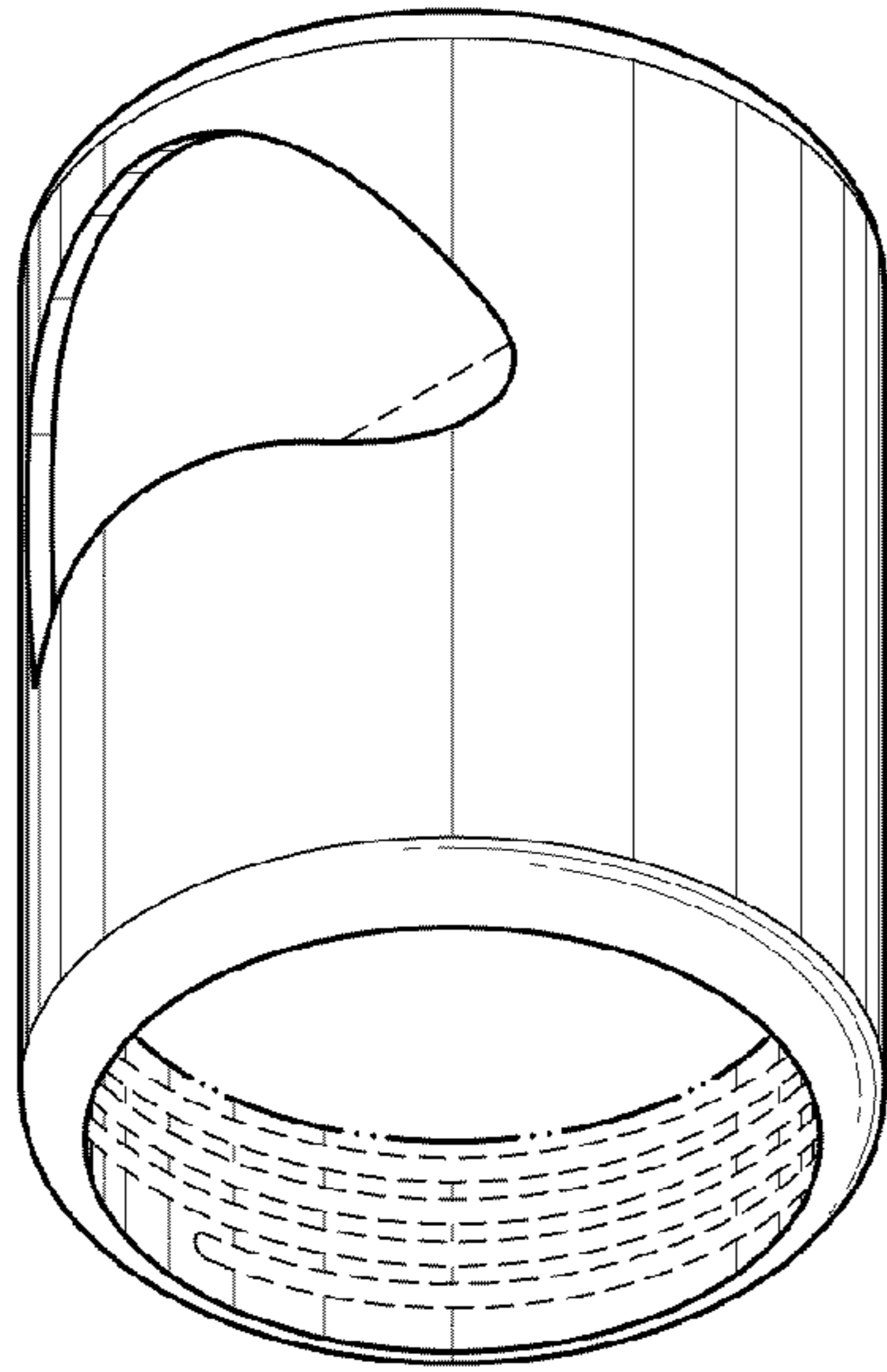


FIG. 1

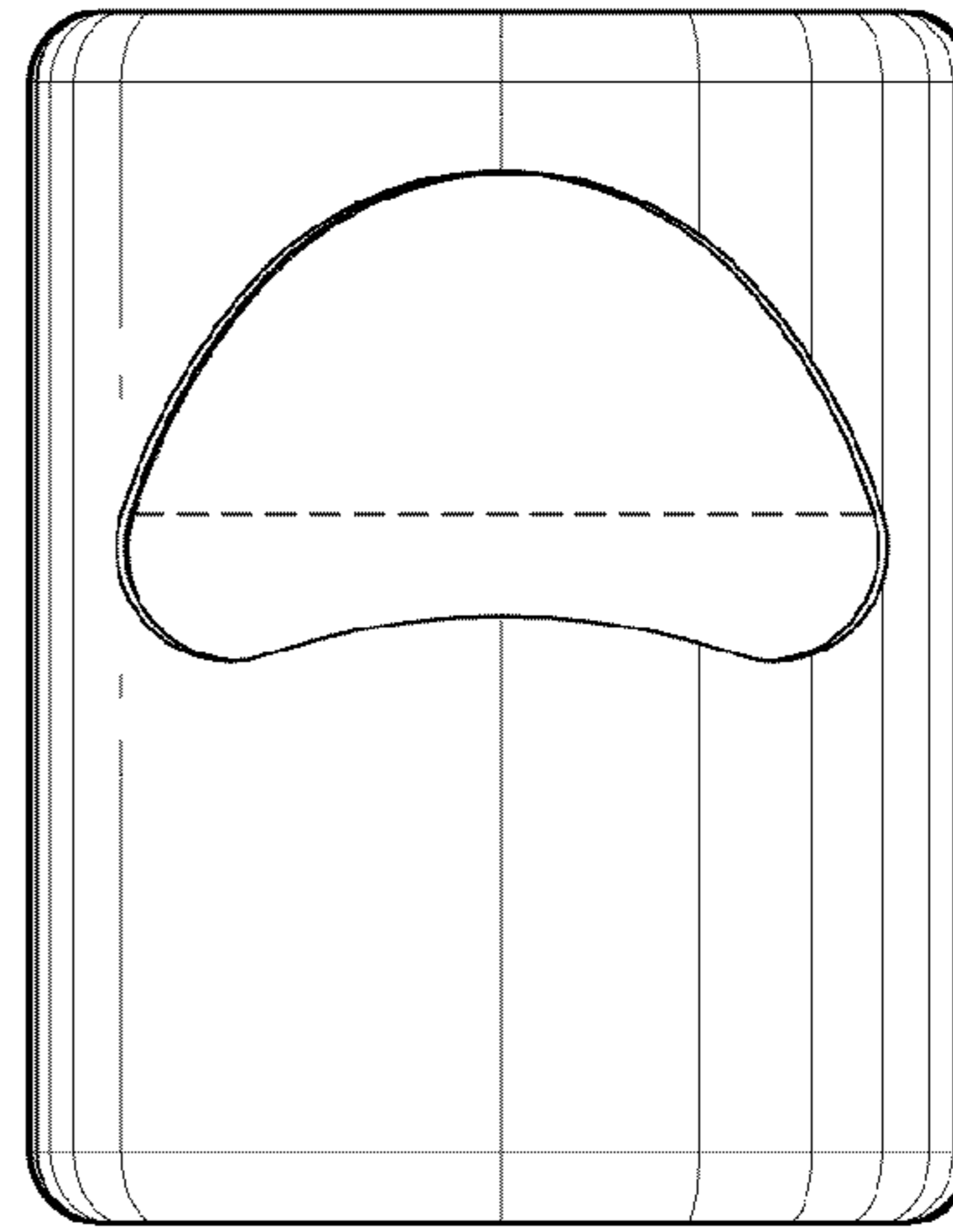


FIG. 2

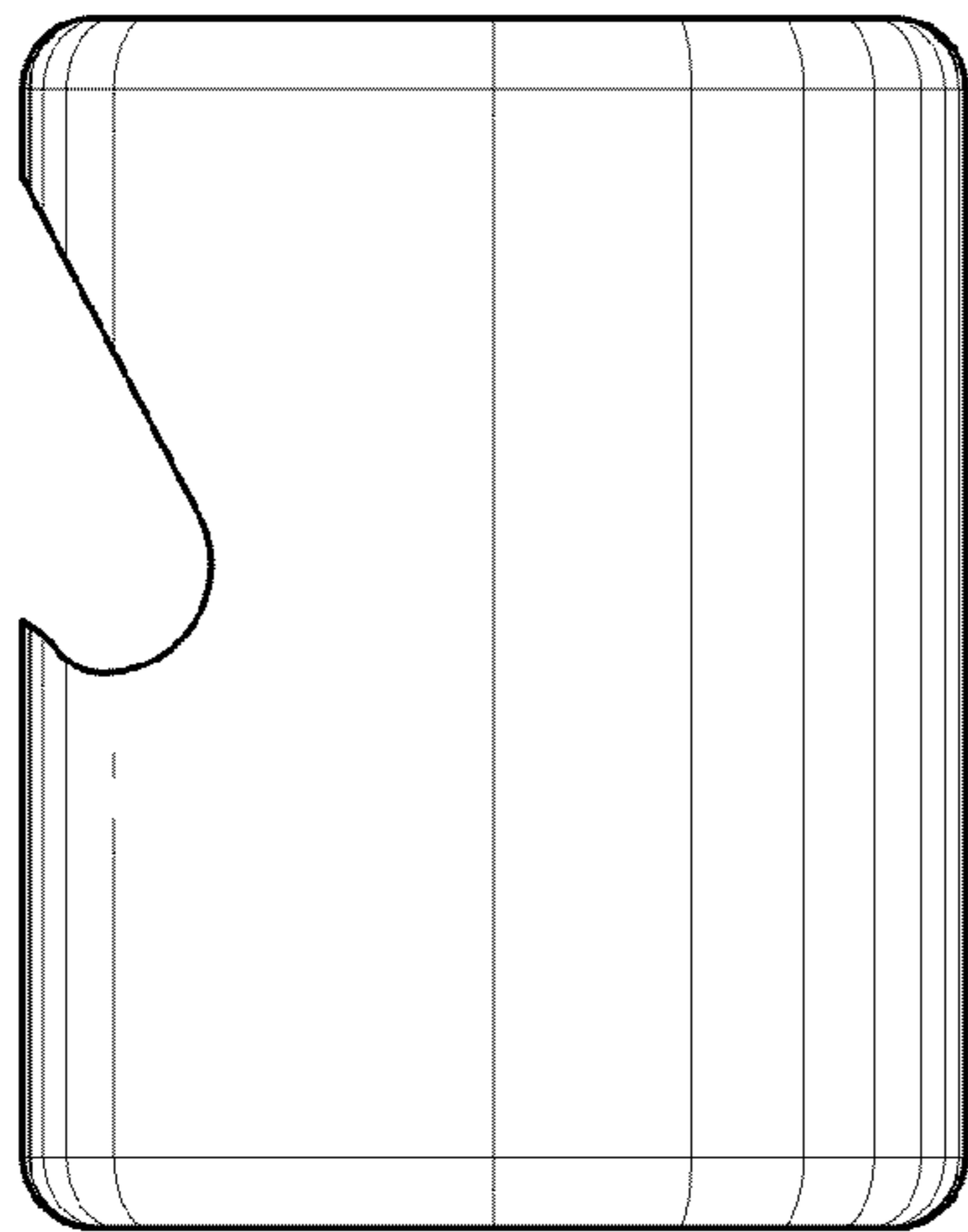


FIG. 3

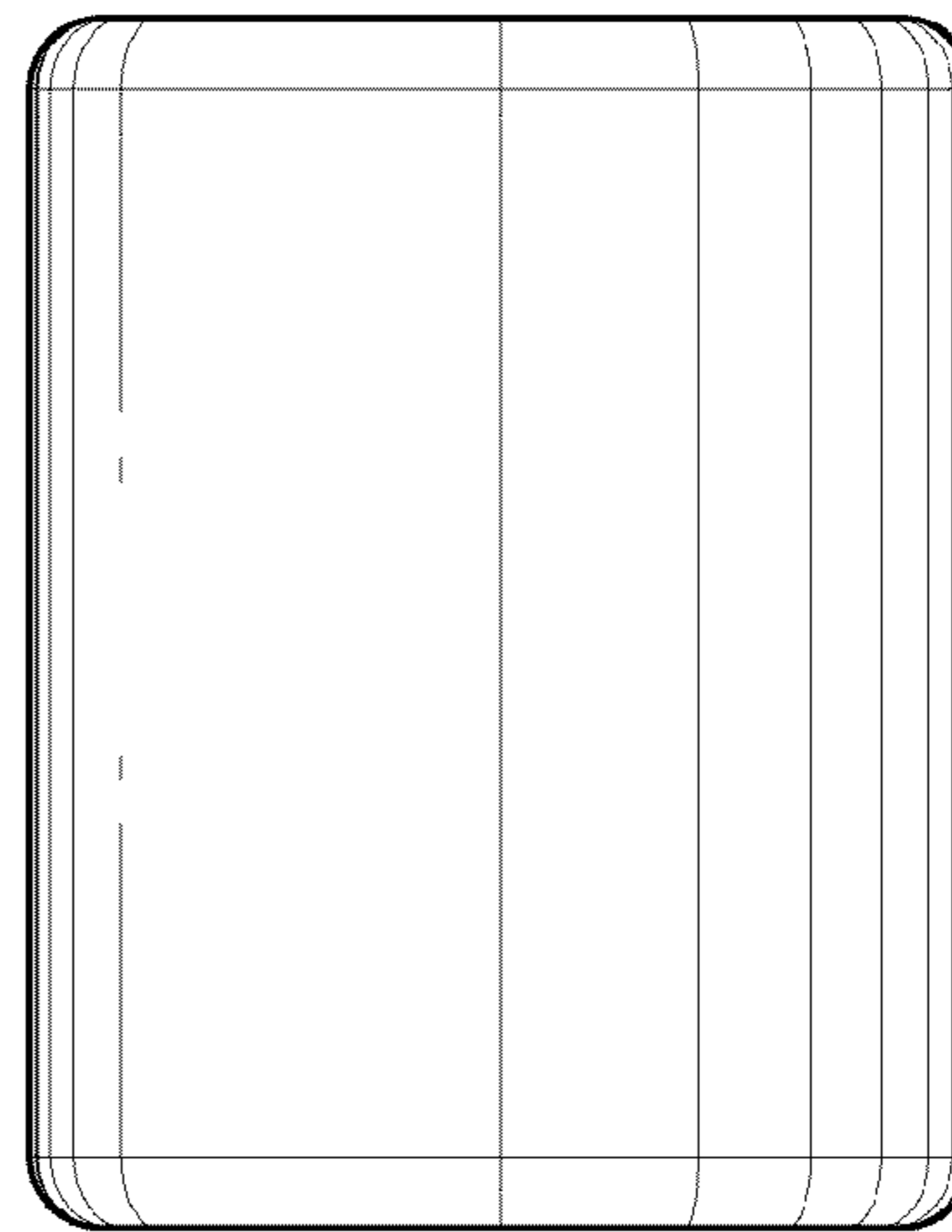


FIG. 4

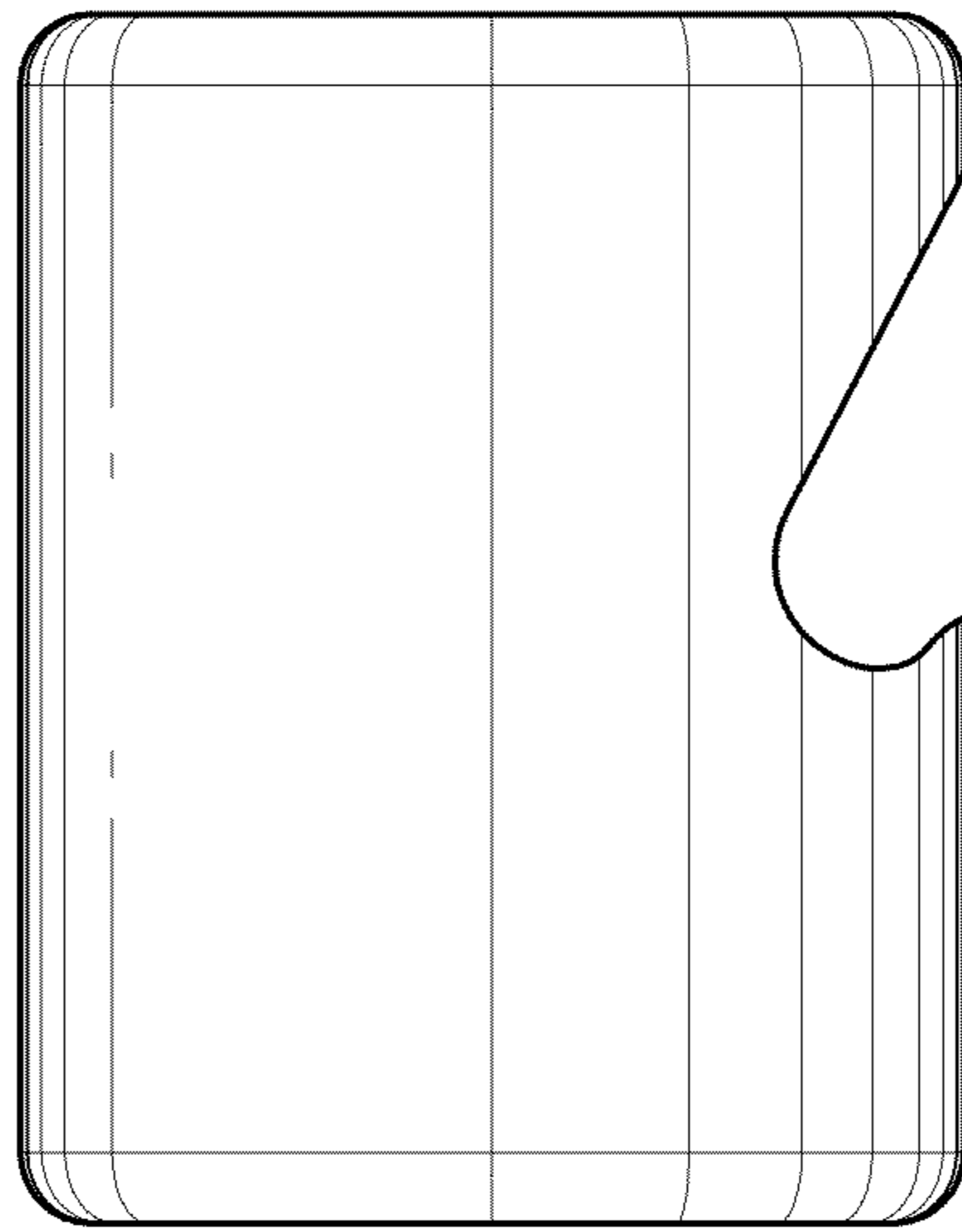


FIG. 5

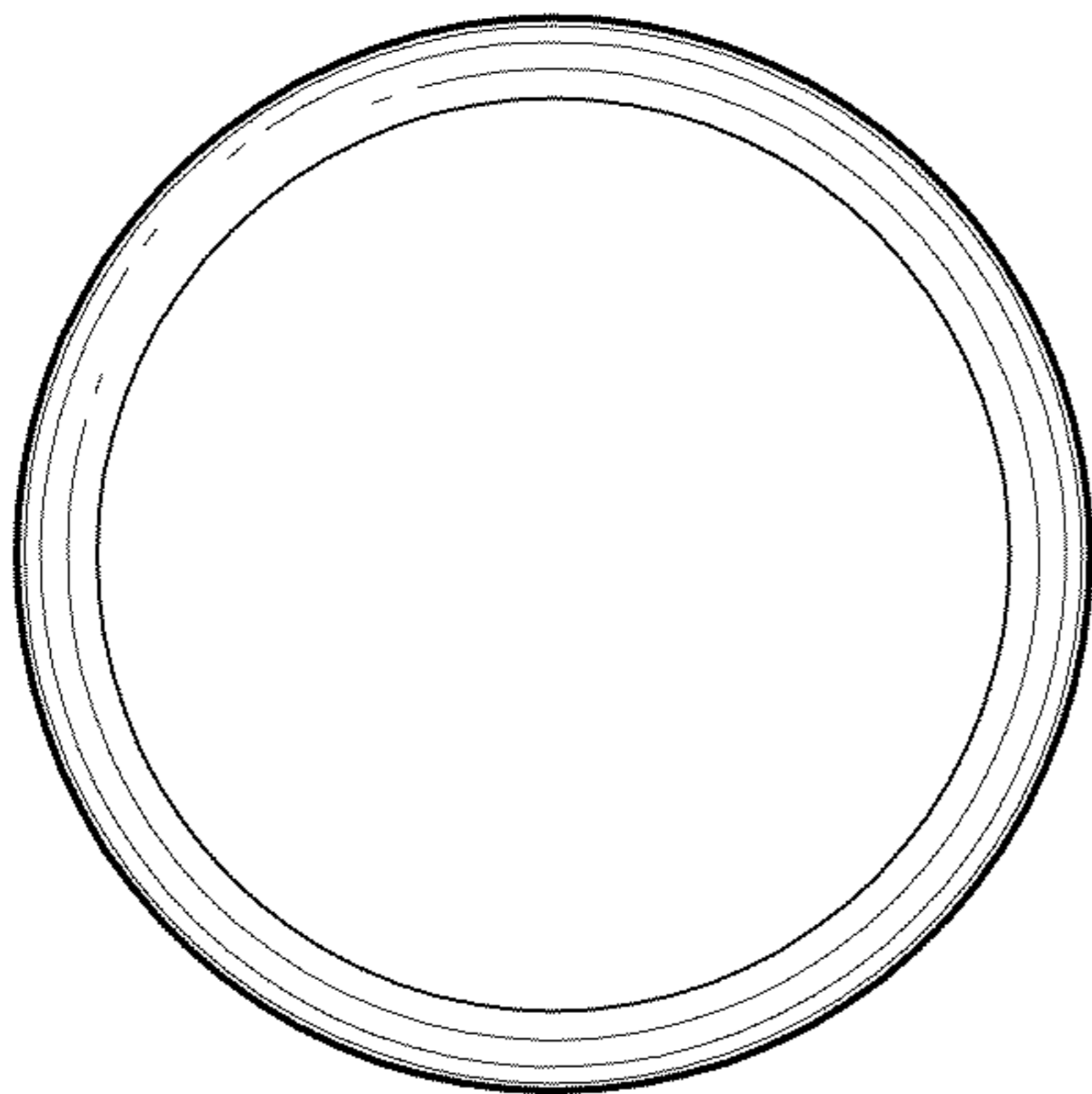


FIG. 6

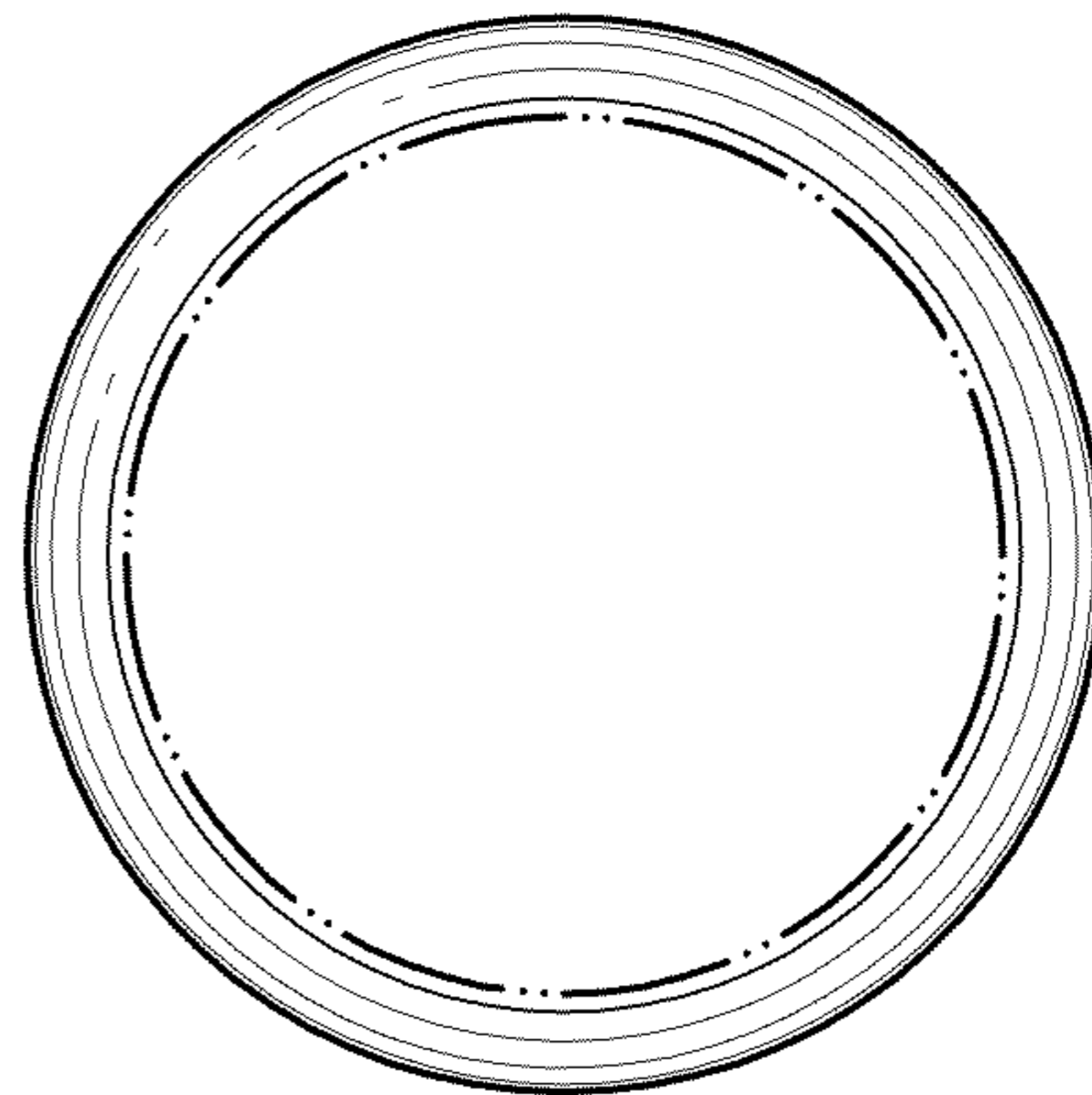


FIG. 7

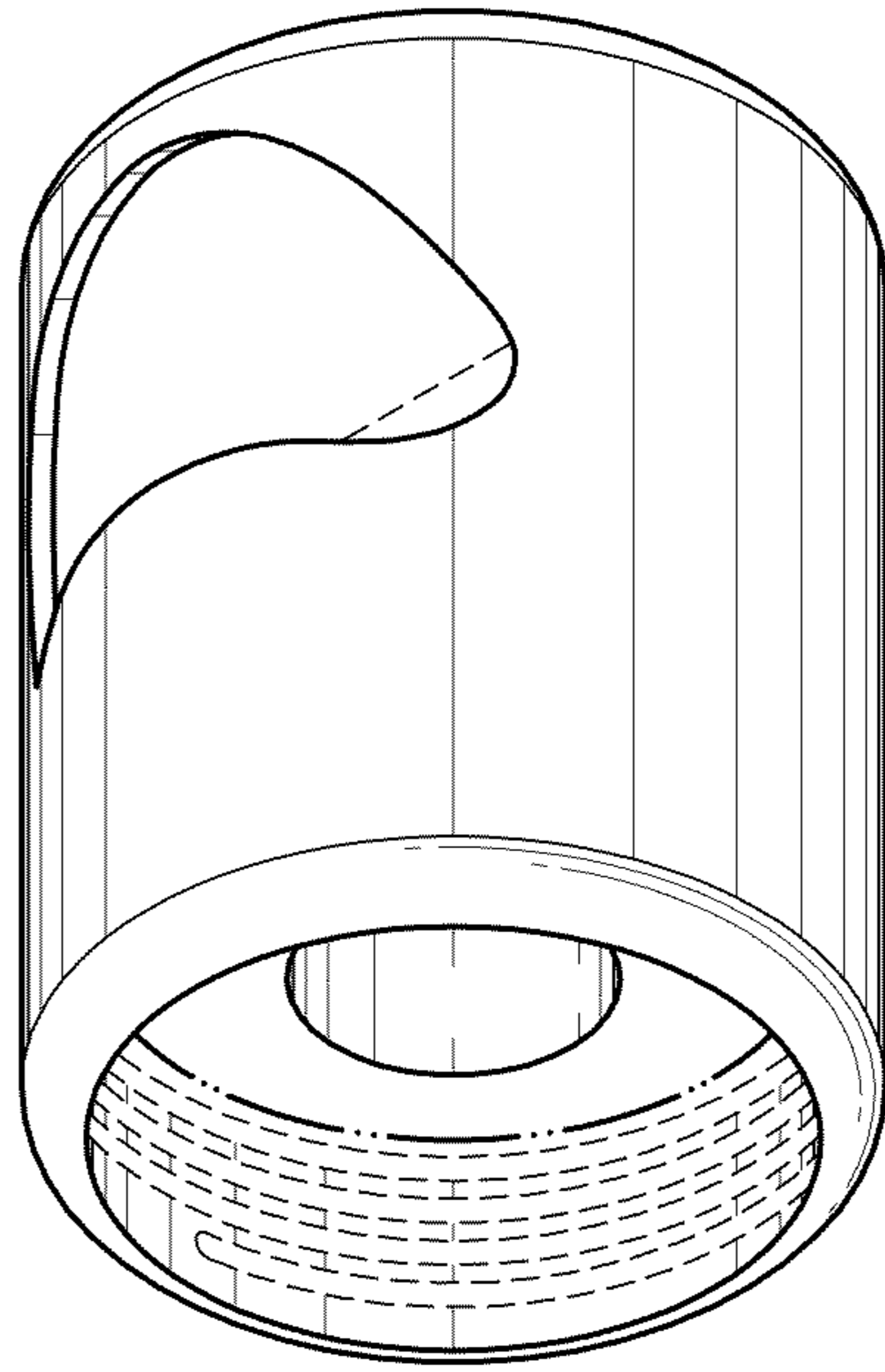


FIG. 8

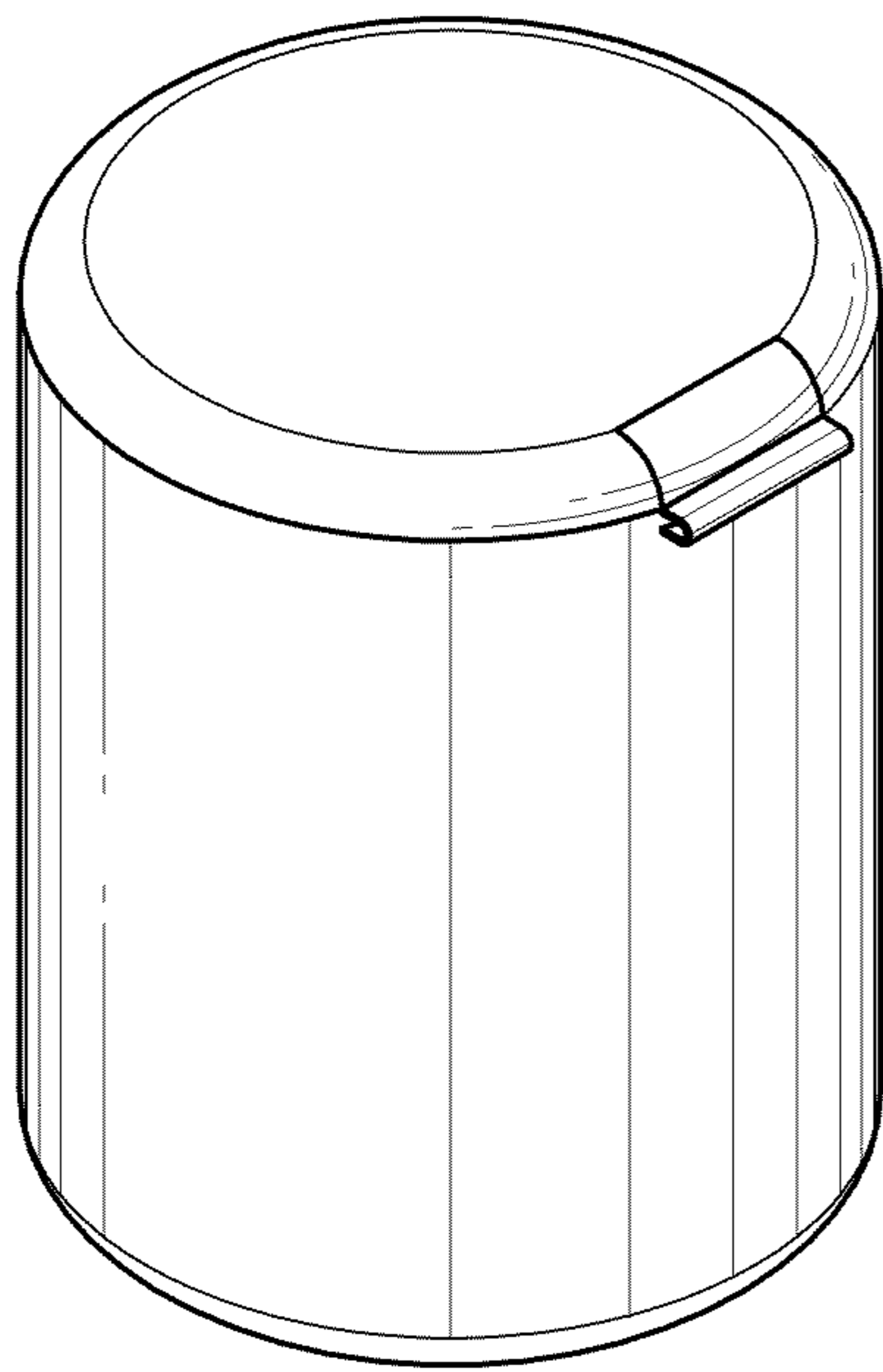


FIG. 9

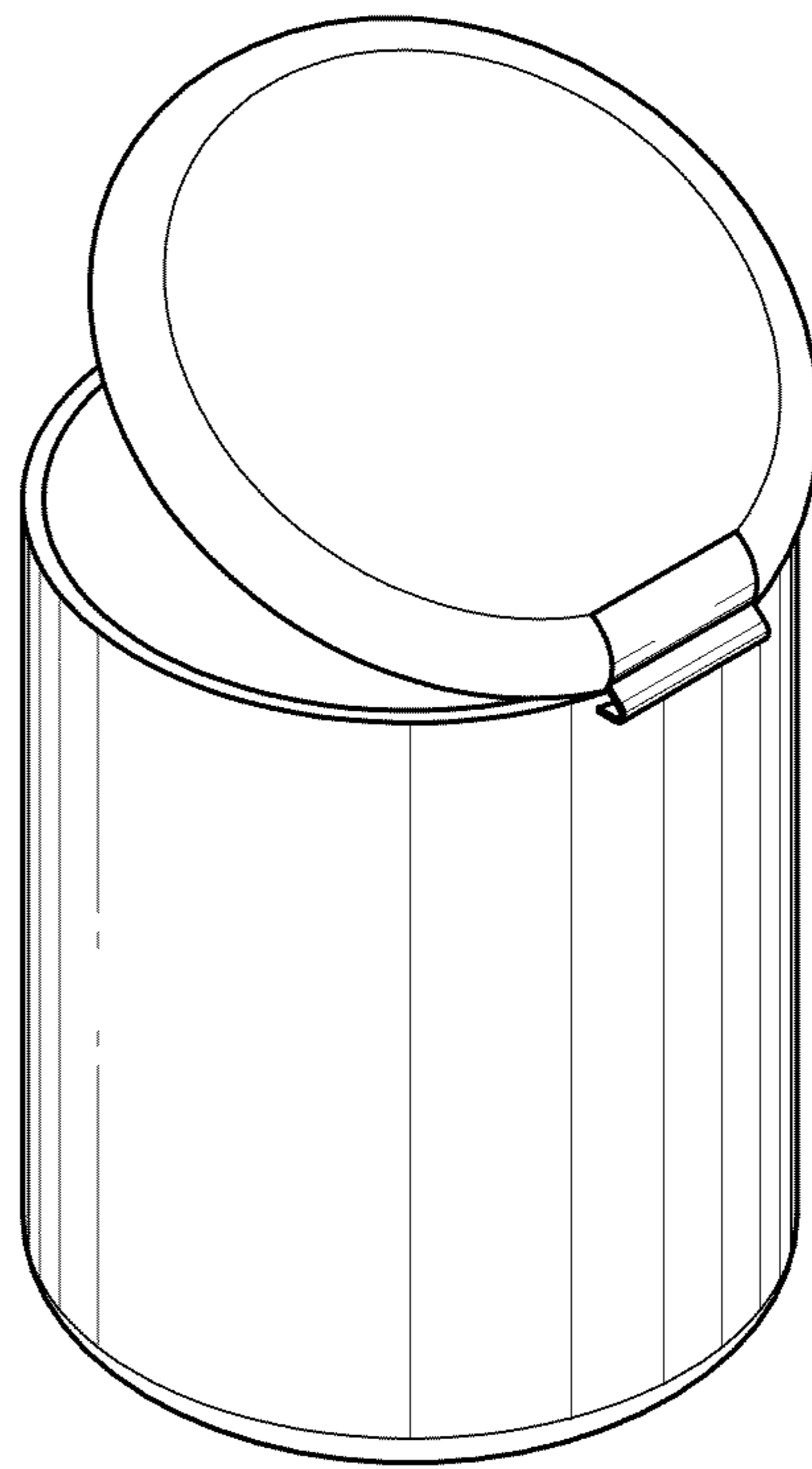


FIG. 10

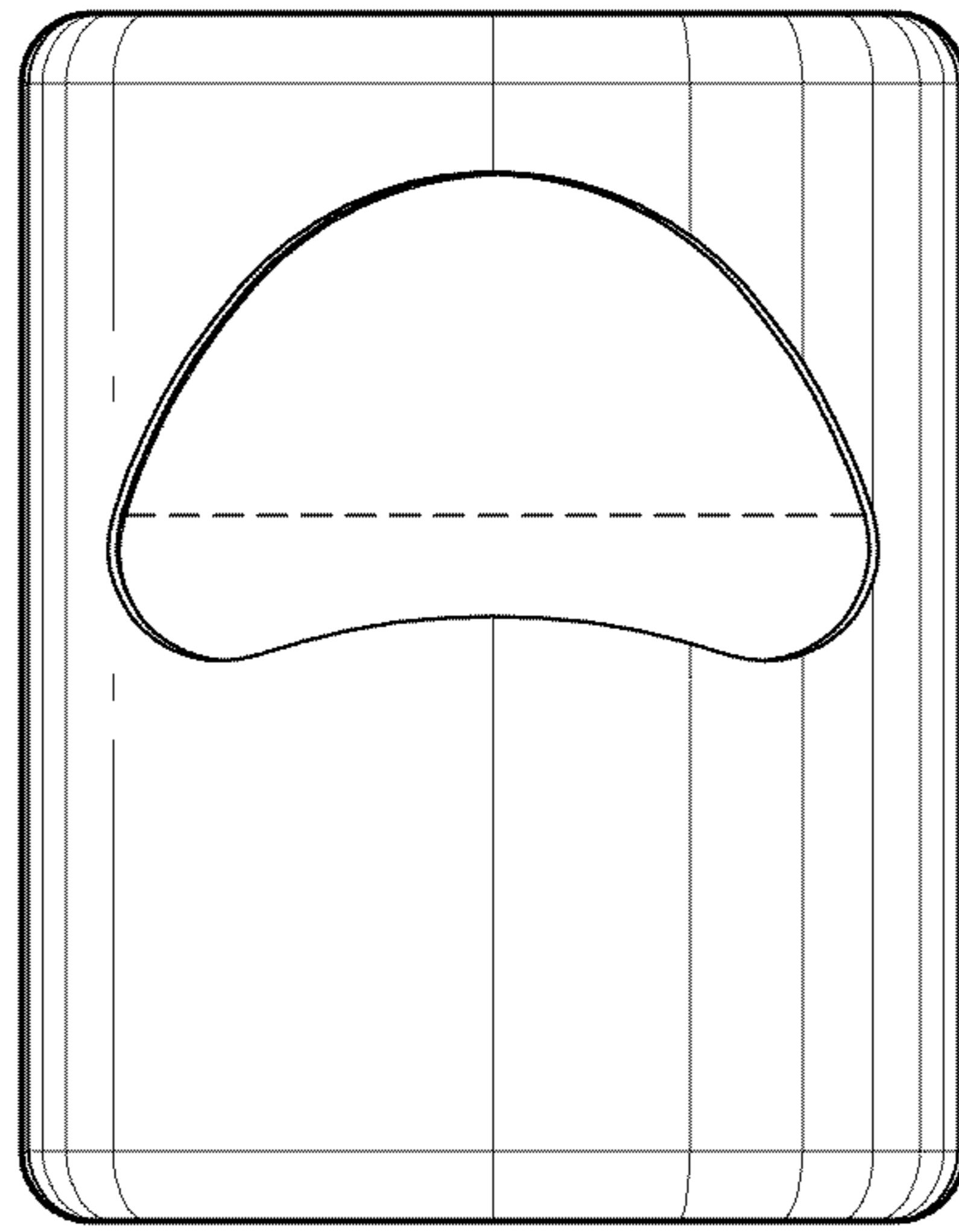


FIG. 11

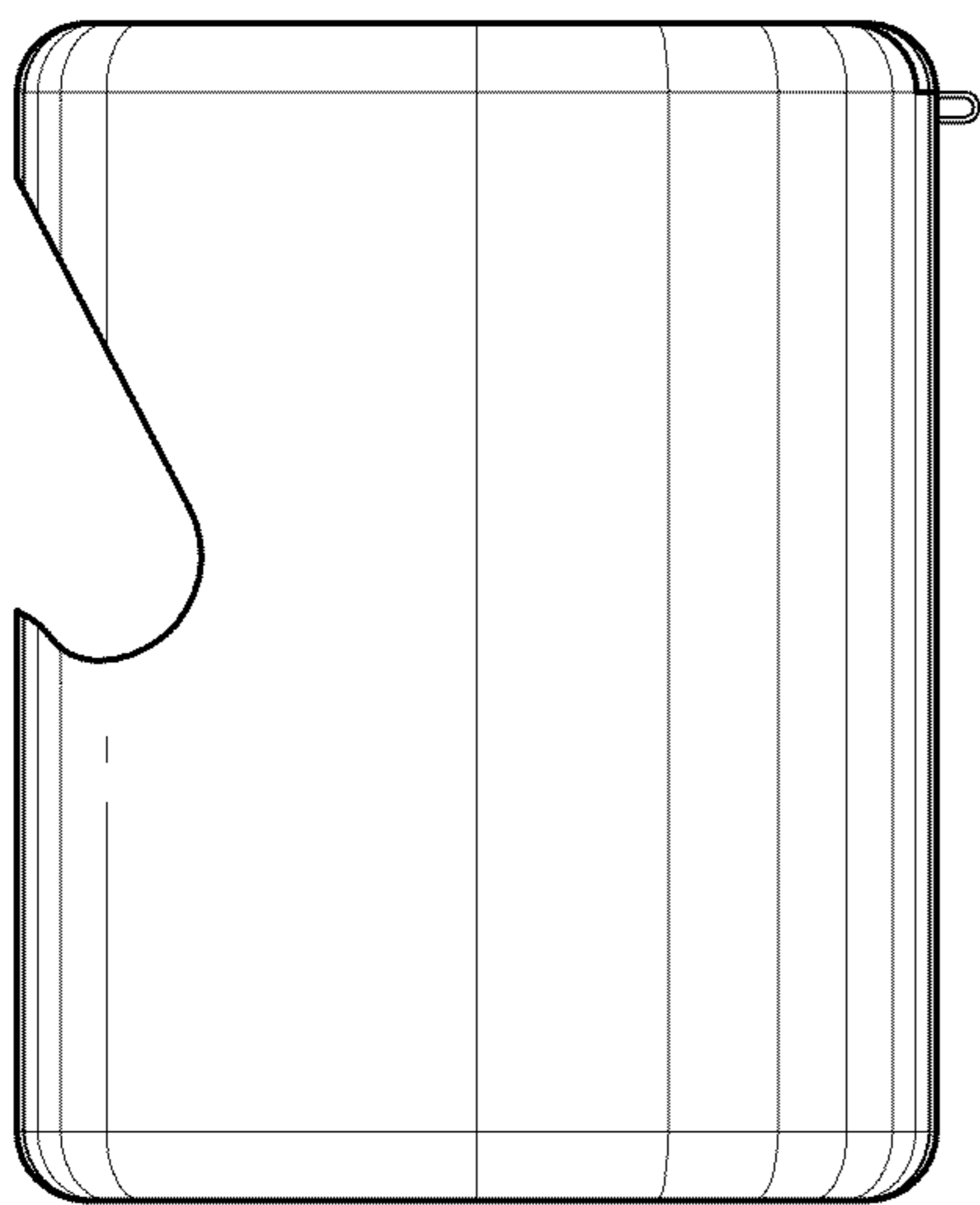


FIG. 12

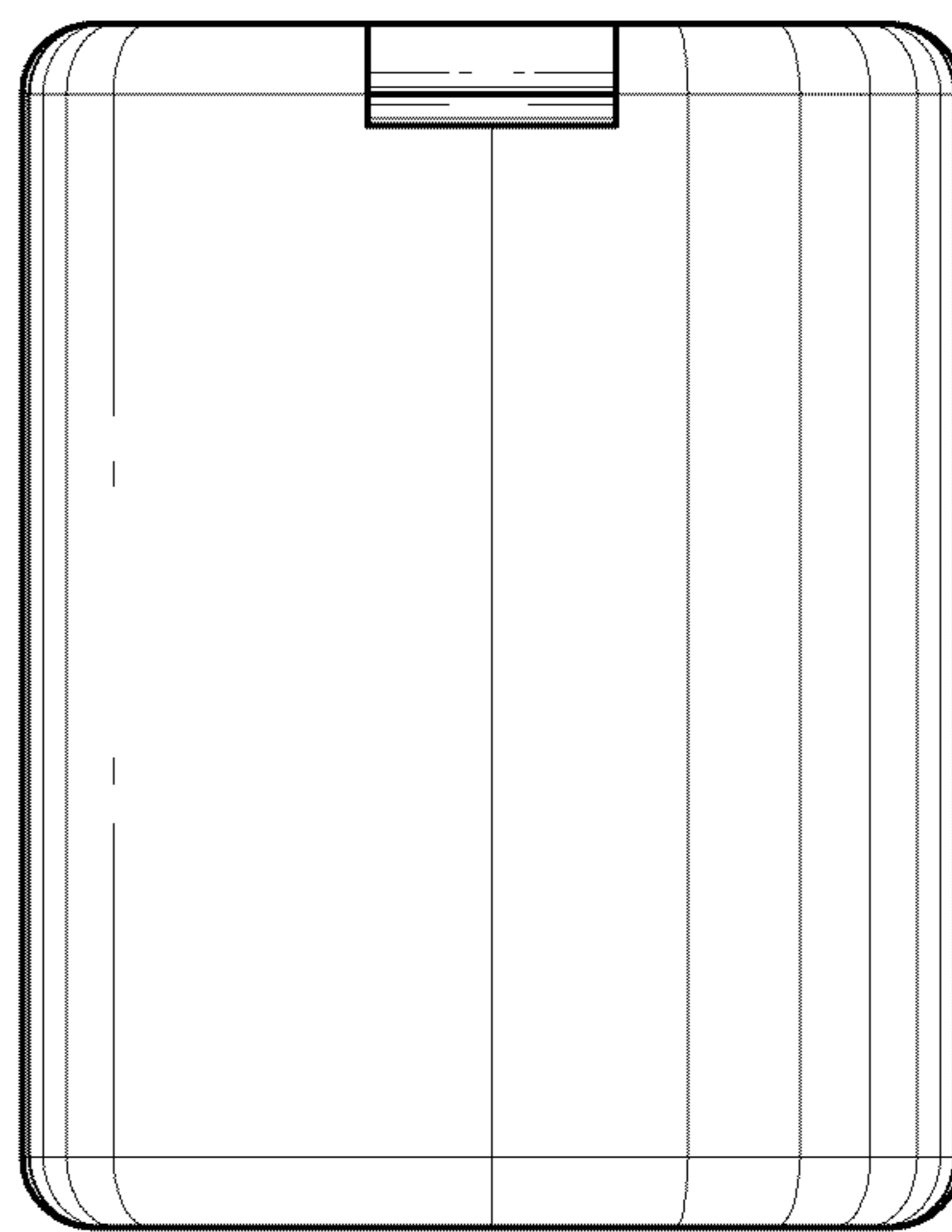


FIG. 13

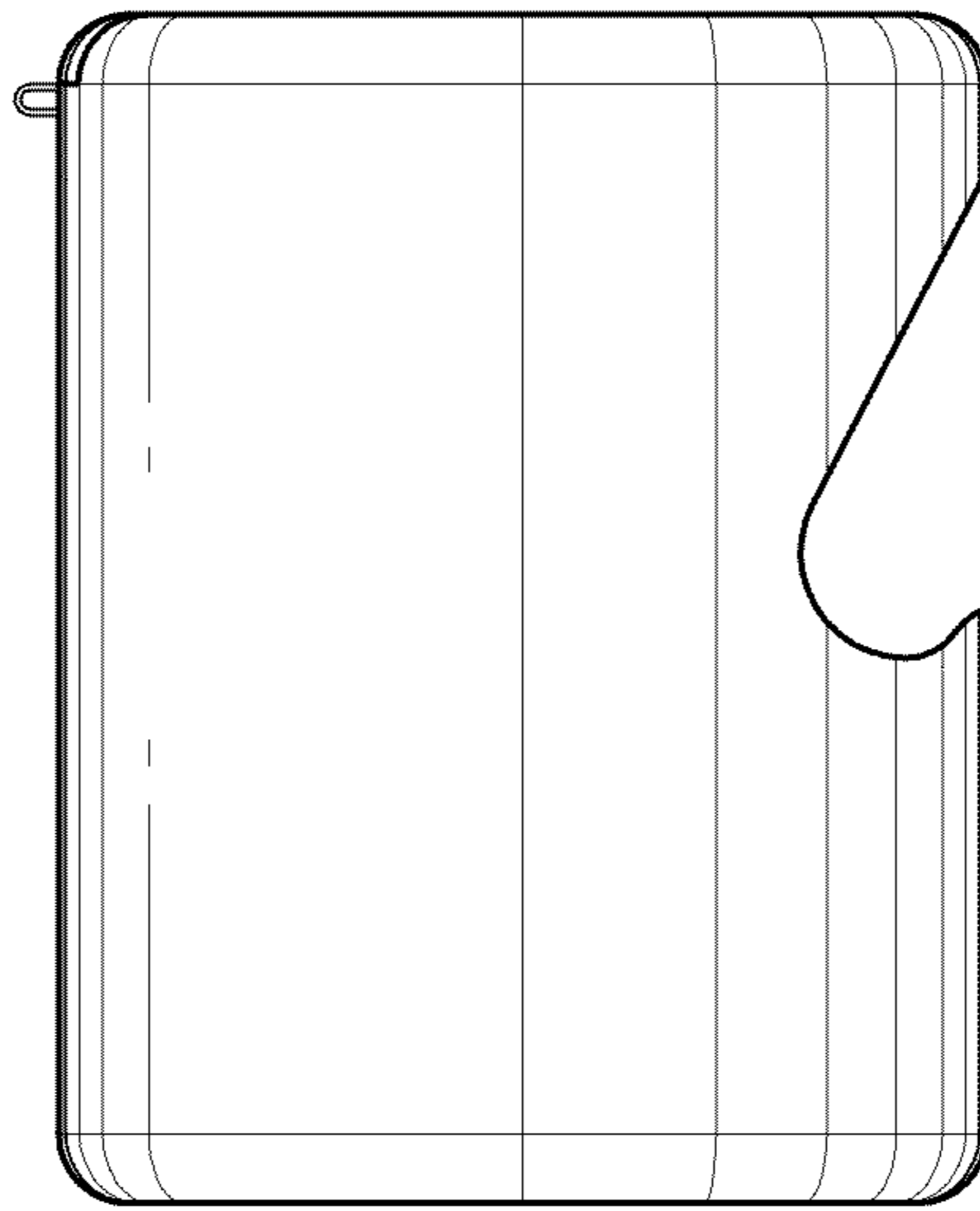


FIG. 14

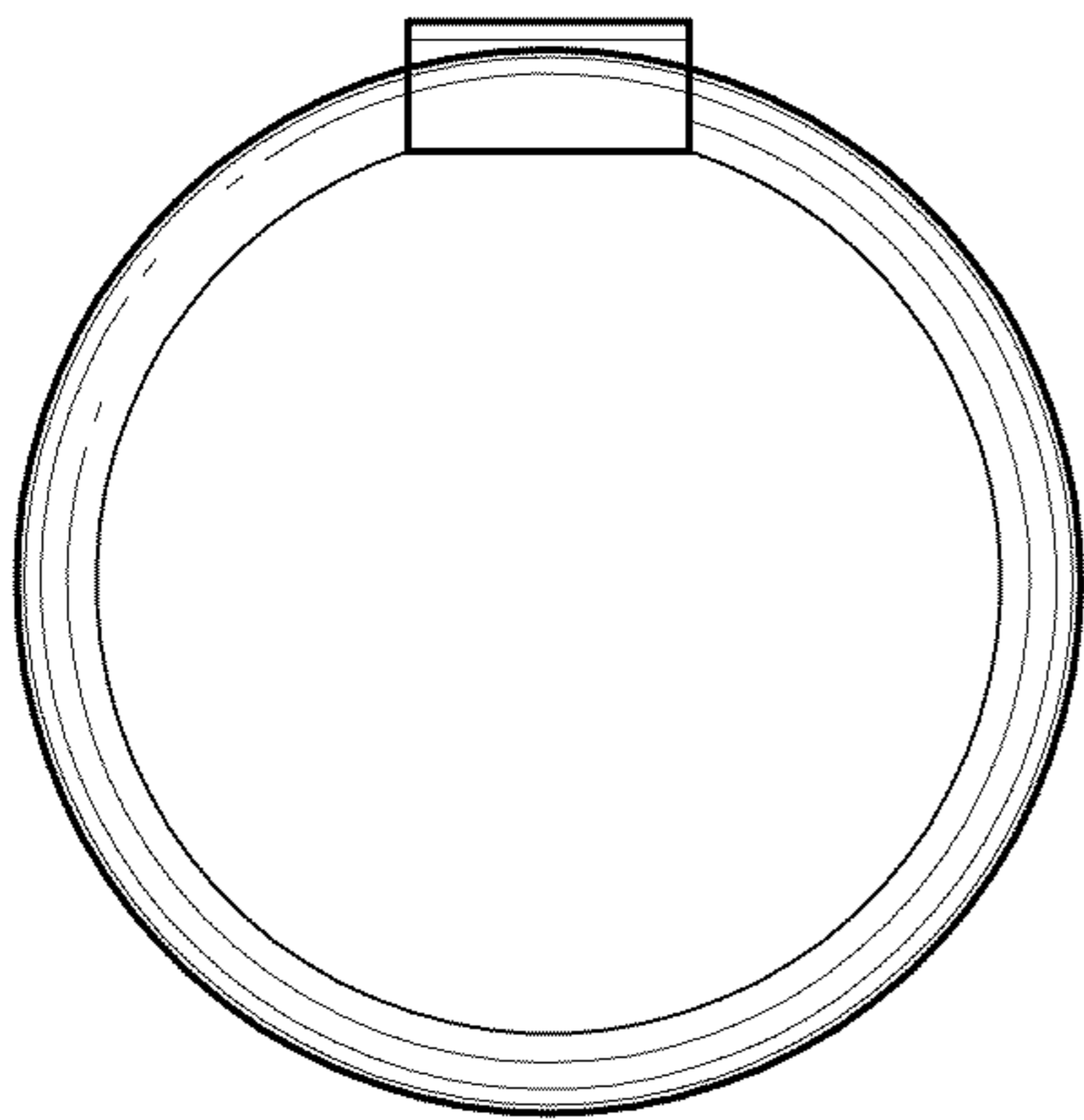


FIG. 15

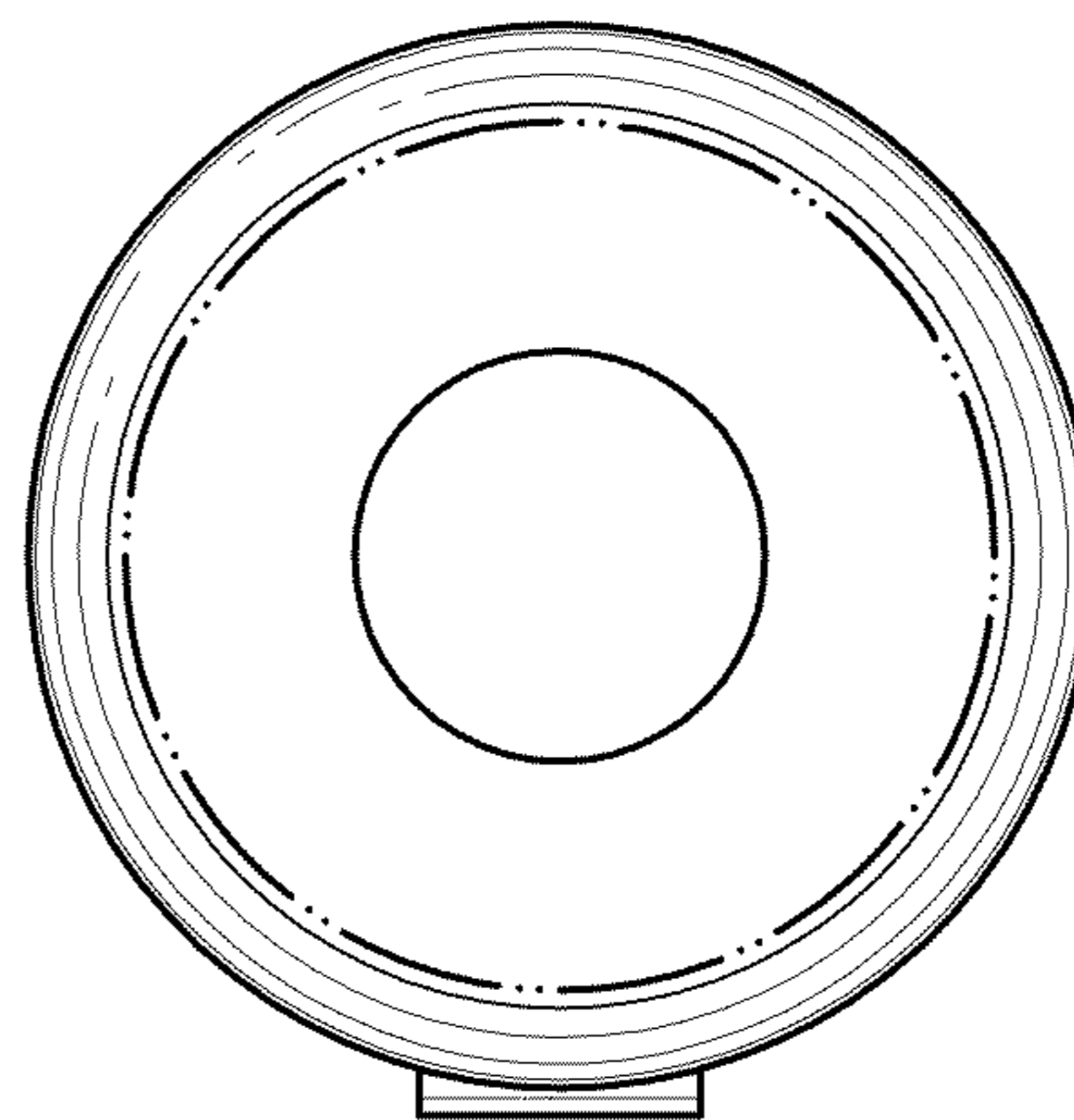


FIG. 16

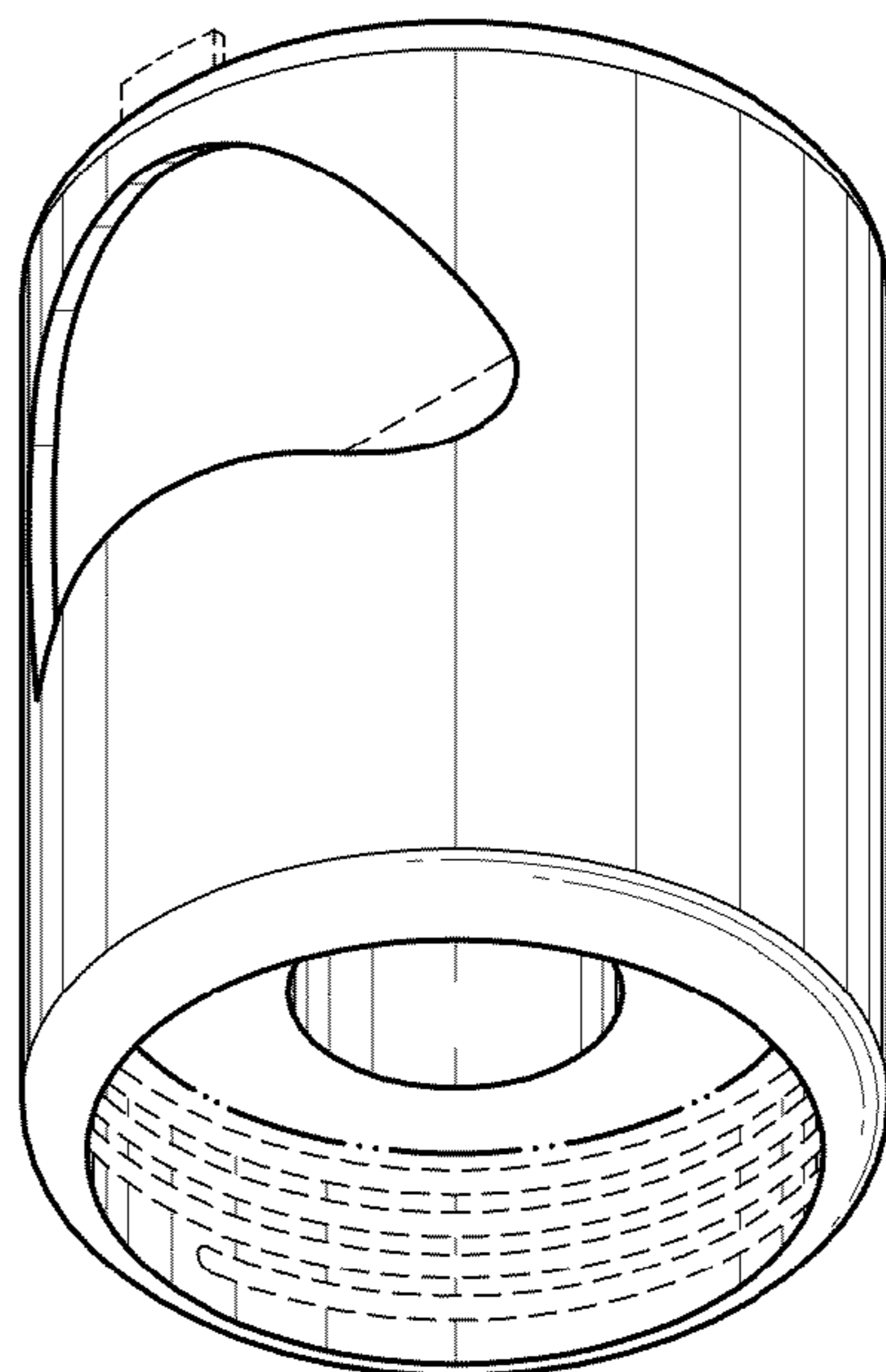


FIG. 17

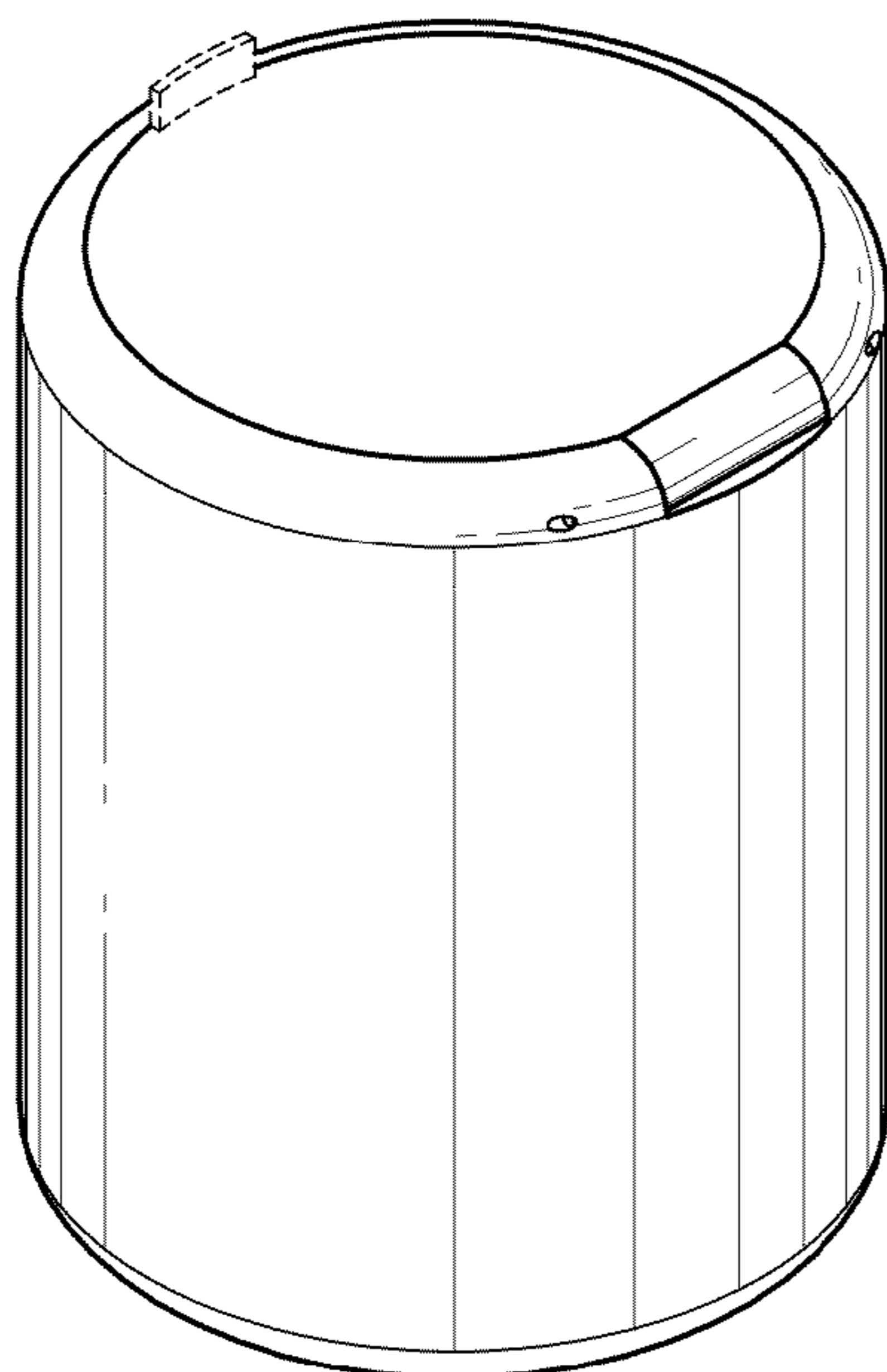


FIG. 18

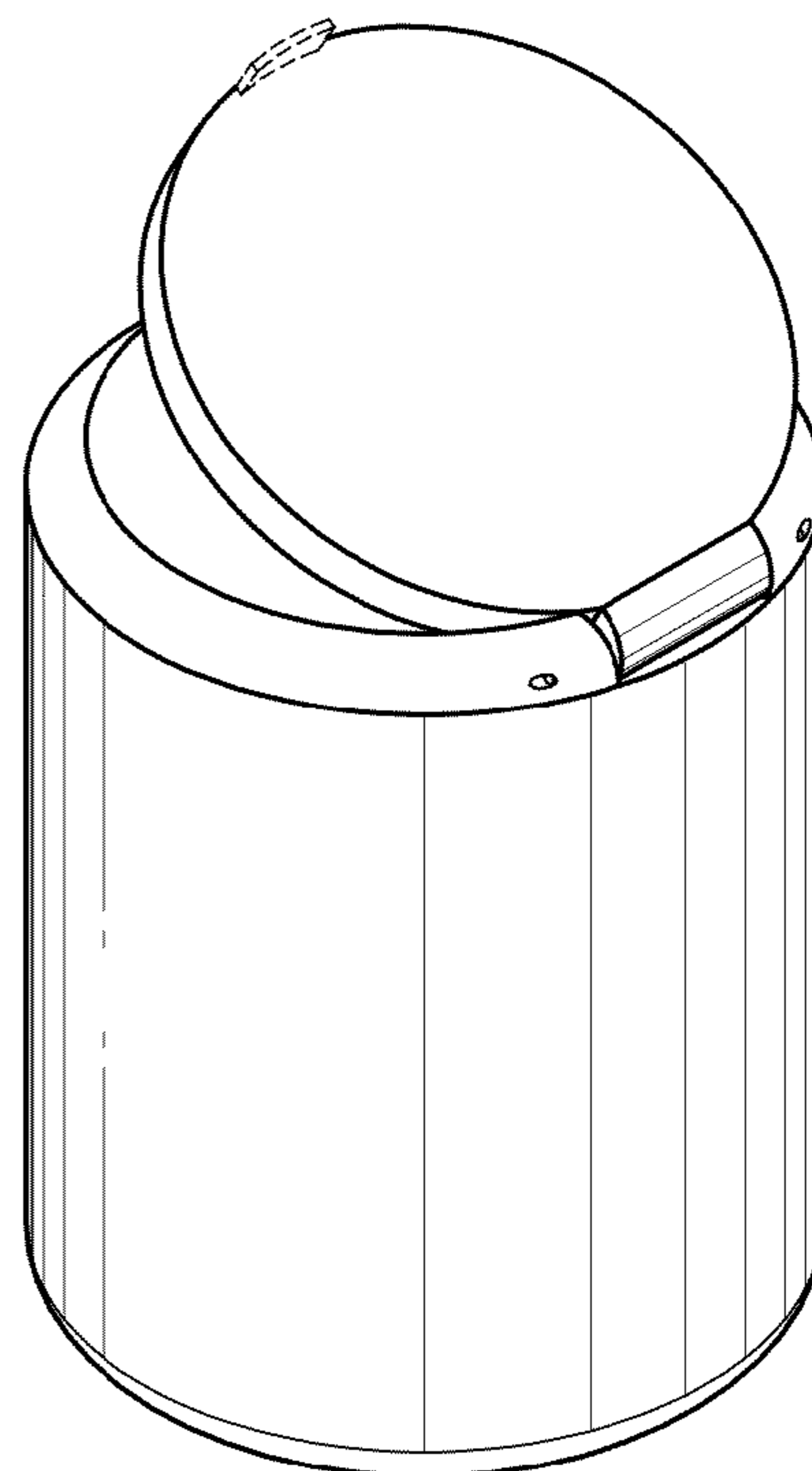


FIG. 19

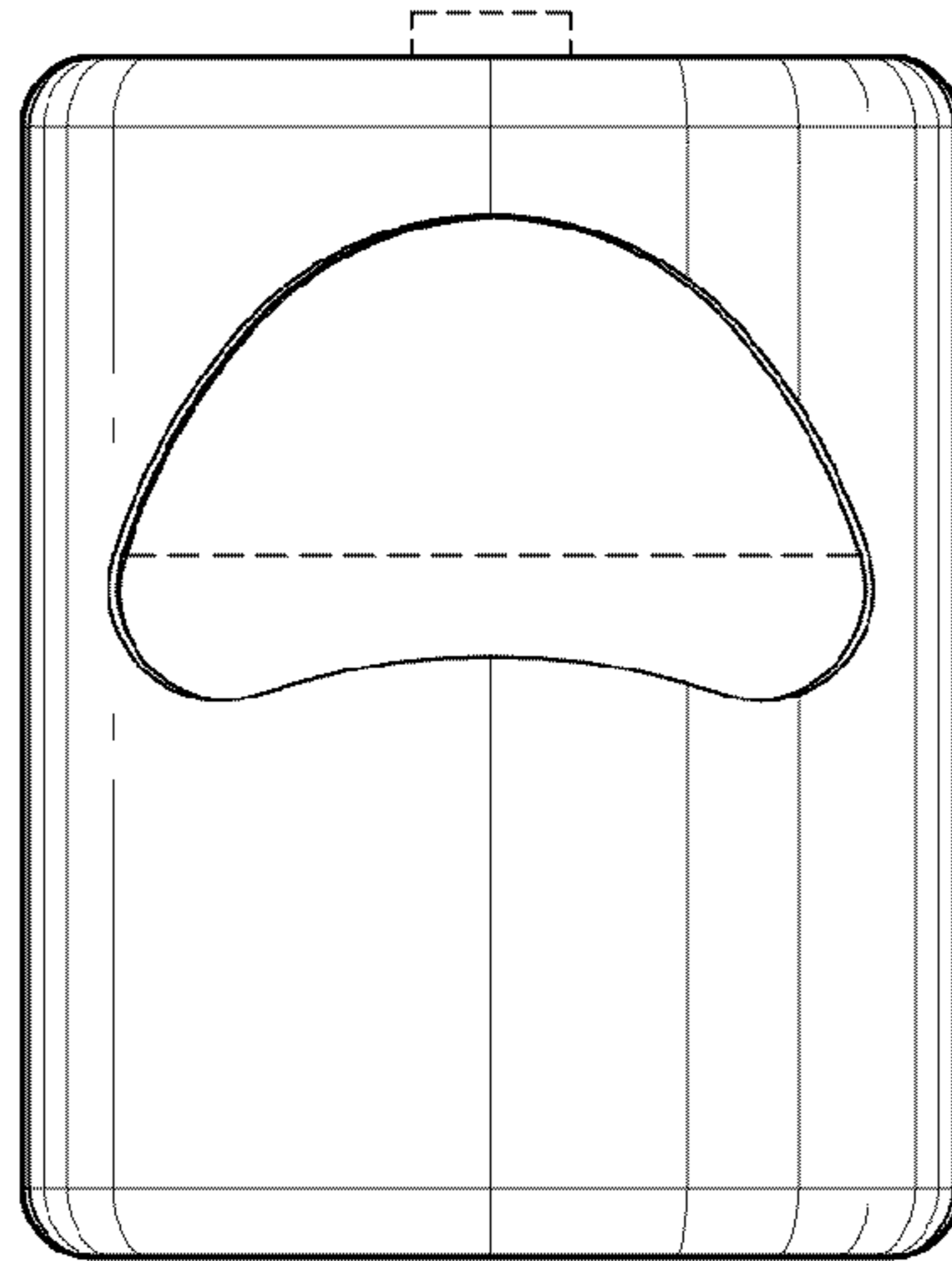


FIG. 20

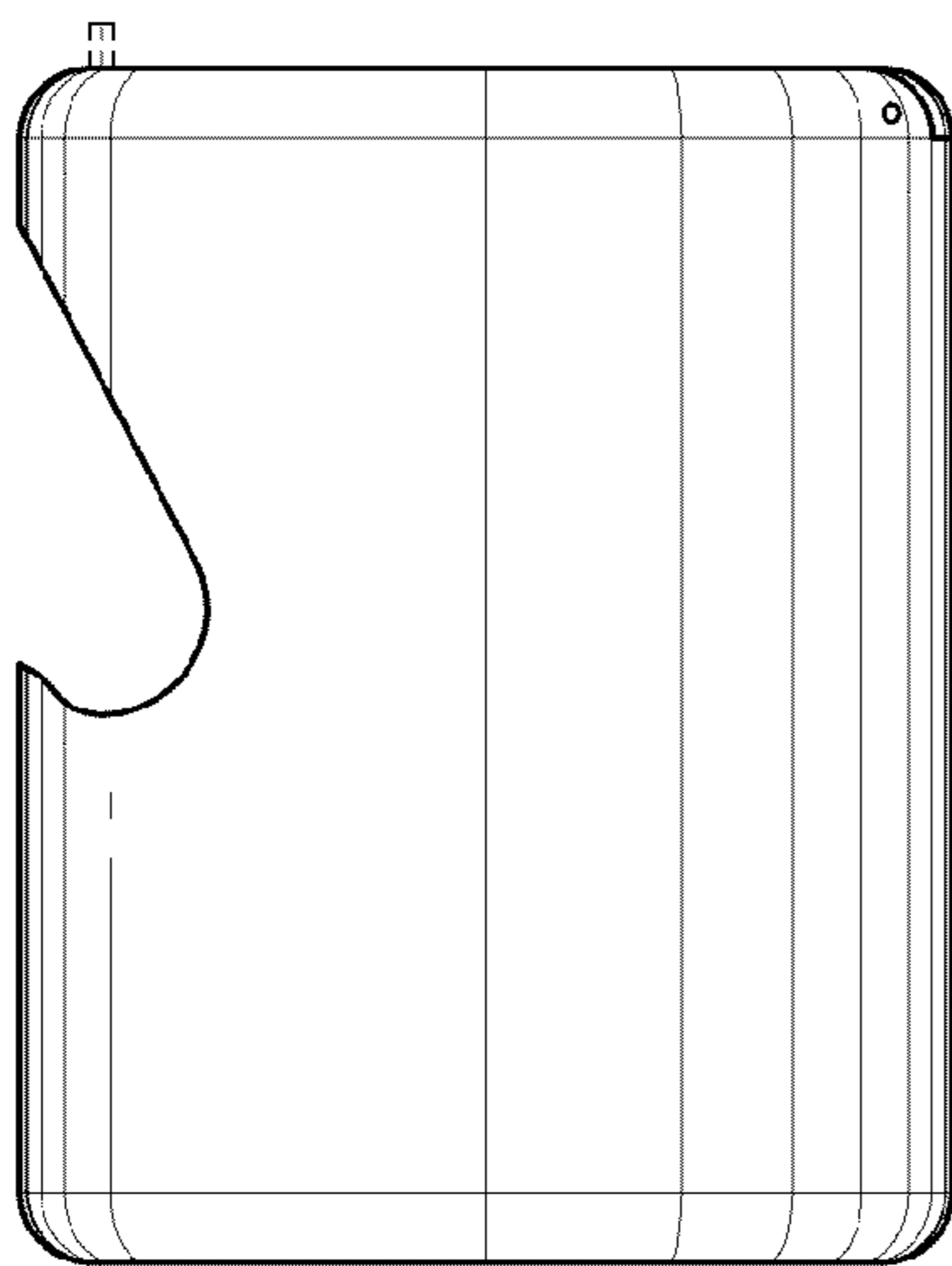


FIG. 21

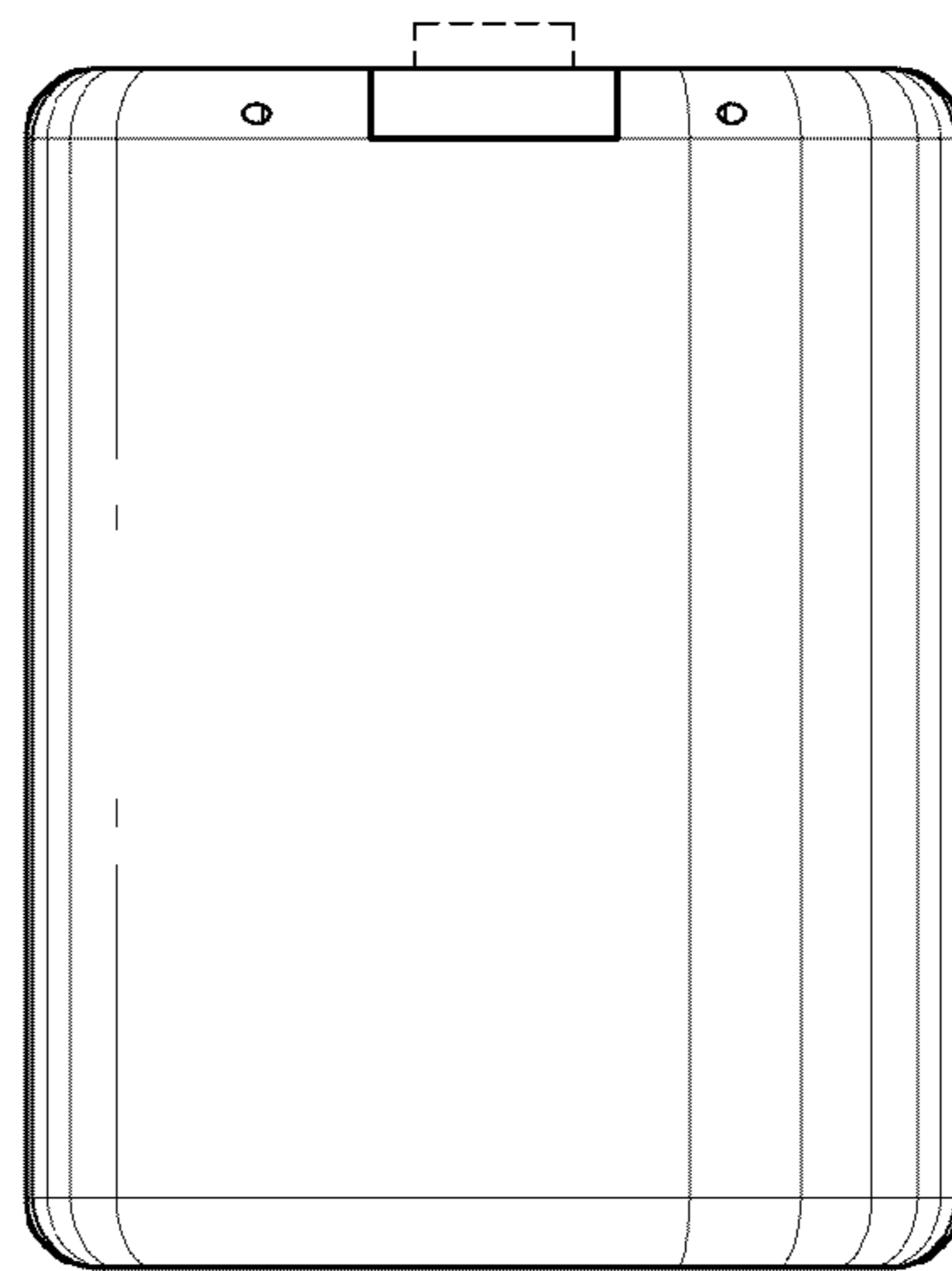


FIG. 22

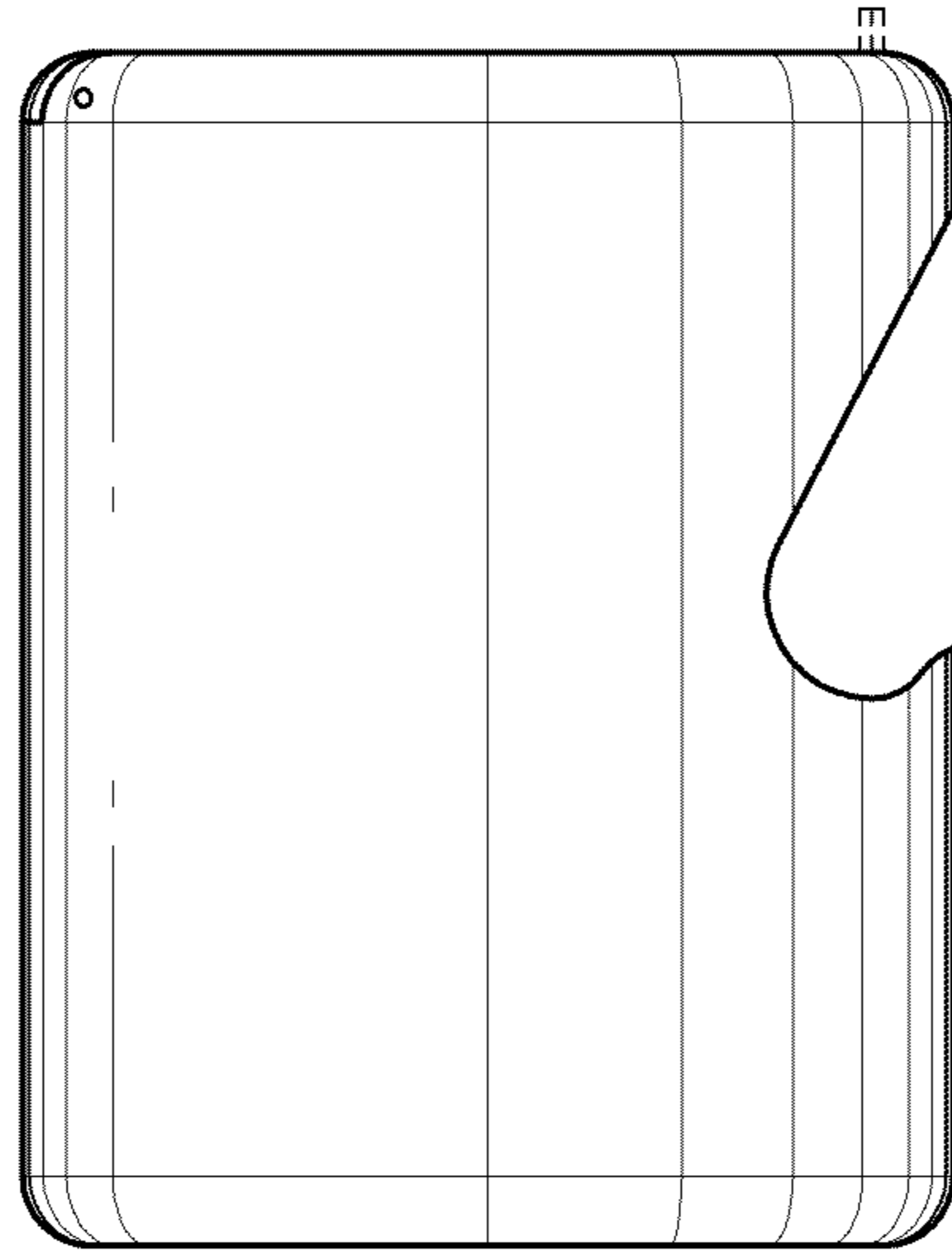


FIG. 23

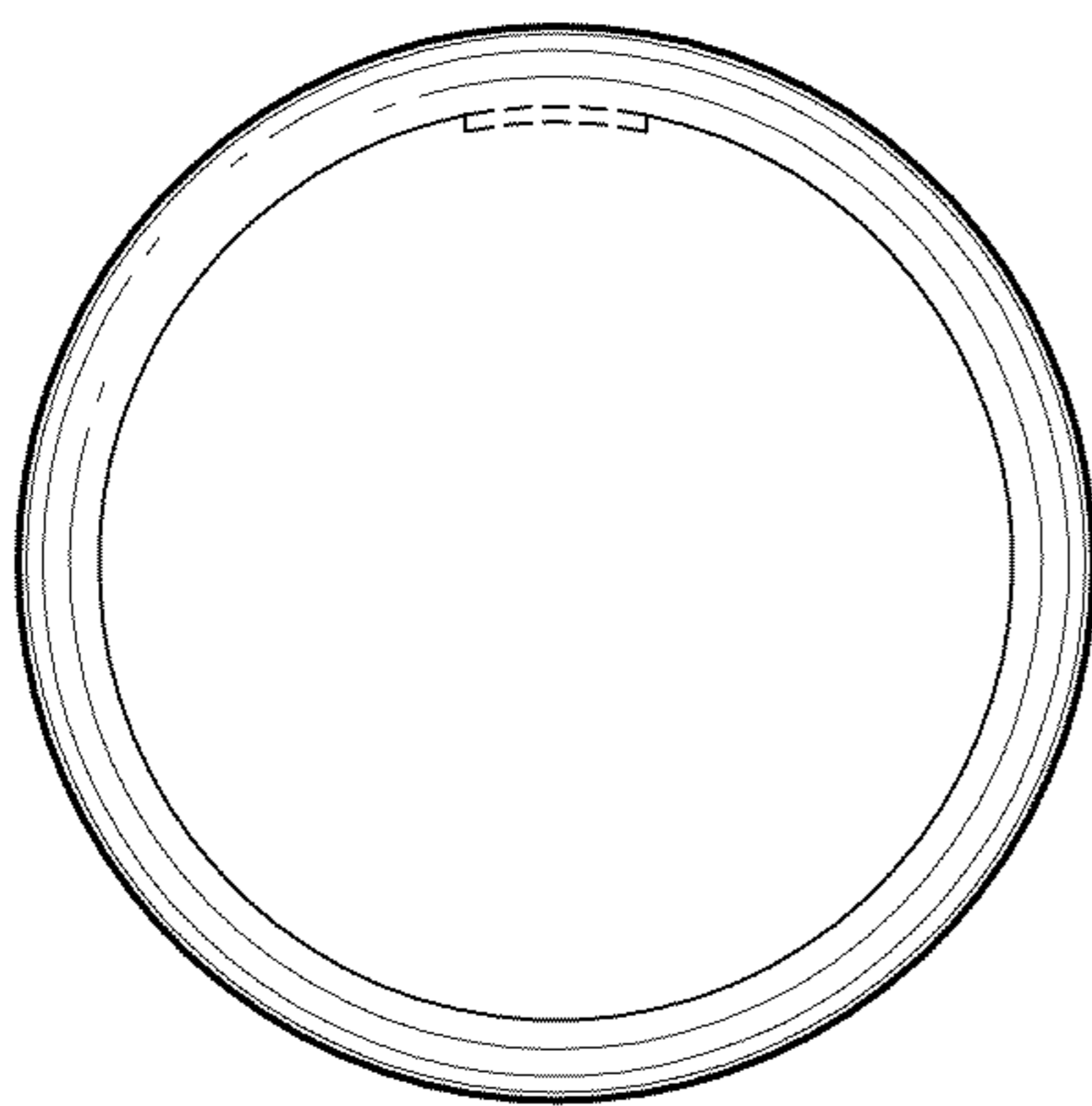


FIG. 24

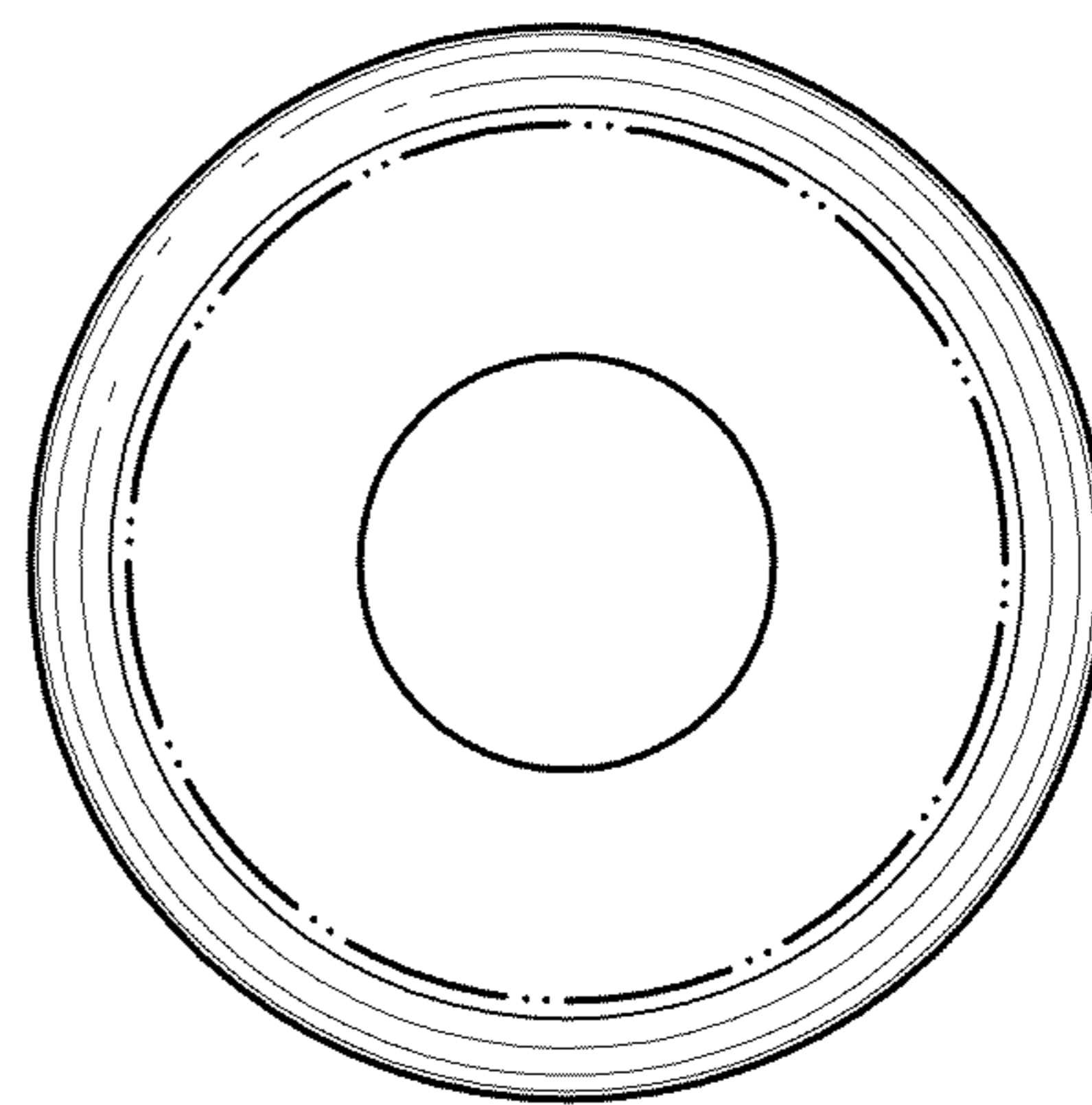


FIG. 25

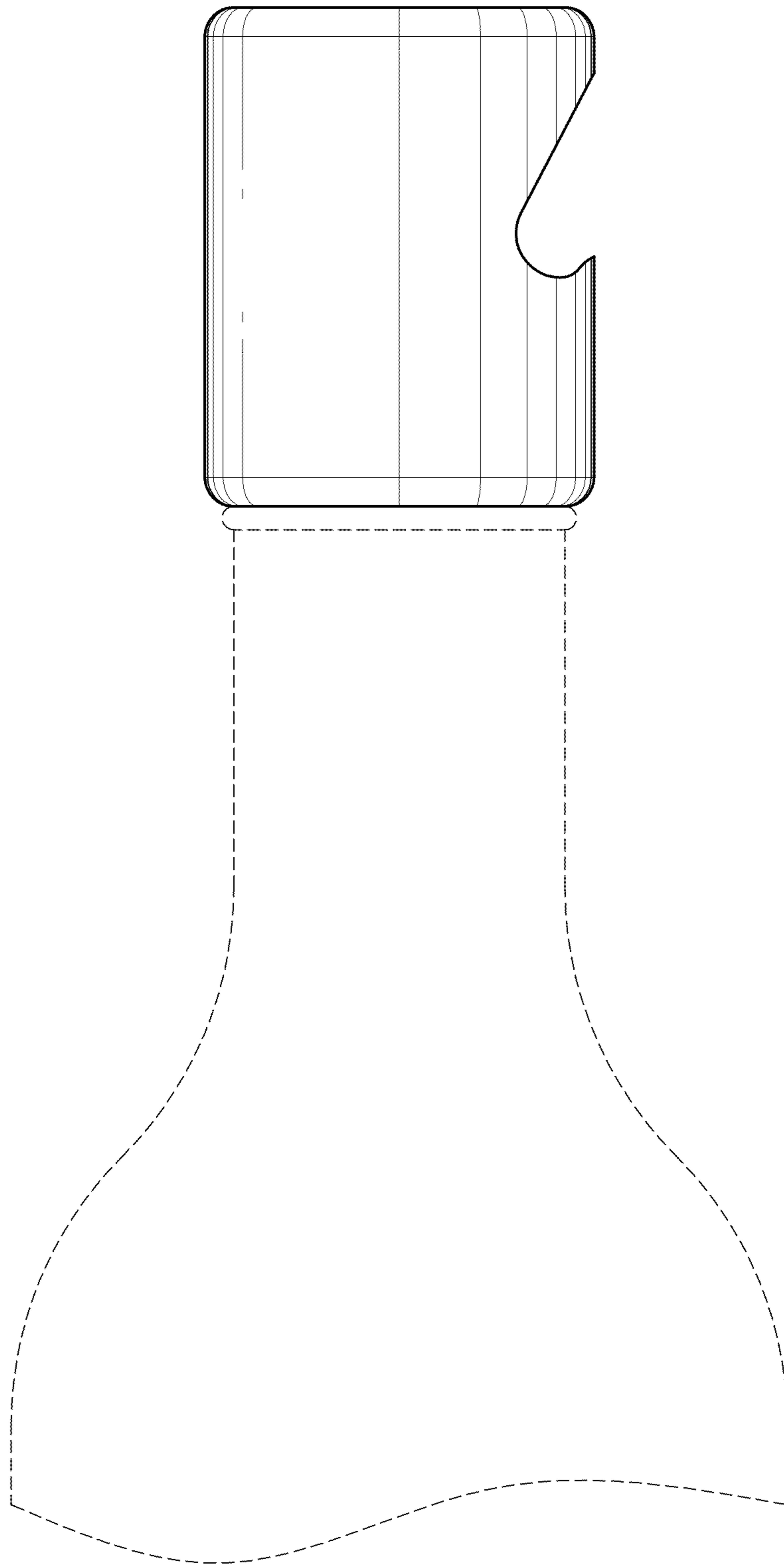


FIG. 26