



US00D754535S

(12) **United States Design Patent**
Kim

(10) **Patent No.:** **US D754,535 S**

(45) **Date of Patent:** **** Apr. 26, 2016**

(54) **LID FOR A CUP**

(71) Applicant: **K&Lab Co., Ltd.**, Anyang-si,
Gyeonggi-do (KR)

(72) Inventor: **Sung-II Kim**, Yongin-si (KR)

(73) Assignee: **K&Lab Co., Ltd.**, Anyang-si,
Gyeonggi-do (KR)

(**) Term: **14 Years**

(21) Appl. No.: **29/500,450**

(22) Filed: **Aug. 25, 2014**

(30) **Foreign Application Priority Data**

Jun. 25, 2014 (KR) 30-2014-0031197

(51) **LOC (10) Cl.** **09-07**

(52) **U.S. Cl.**
USPC **D9/435**

(58) **Field of Classification Search**
USPC D9/435, 438, 454, 447; D7/391, 392,
D7/396.2; 215/232; 220/711, 713, 254,
220/268

CPC B65D 51/20; B65D 2543/00046;
B65D 43/08; A47G 19/2272; B29C 45/76;
B65B 5/04

See application file for complete search history.

(56) **References Cited**

U.S. PATENT DOCUMENTS

D256,888	S	*	9/1980	Swade et al.	D9/438
D286,508	S	*	11/1986	Tilden	D9/435
D299,010	S	*	12/1988	Wall	D9/454
4,981,229	A	*	1/1991	Lanham	215/232
D323,116	S	*	1/1992	Dart et al.	D9/447
D345,081	S	*	3/1994	Adami et al.	D7/391
5,509,568	A	*	4/1996	Warden et al.	220/711
D415,651	S	*	10/1999	Trombly	D7/392.1
D417,845	S	*	12/1999	Sadlier et al.	D9/447
D417,847	S	*	12/1999	Rush et al.	D9/454

D447,412	S	*	9/2001	Durdon	D9/438
D474,068	S	*	5/2003	Fujii et al.	D7/392.1
D476,566	S	*	7/2003	Smith et al.	D9/447
D485,758	S	*	1/2004	Clarke et al.	D9/447
D516,424	S	*	3/2006	Schweigert et al.	D9/447
D539,650	S	*	4/2007	Smith et al.	D9/454

(Continued)

FOREIGN PATENT DOCUMENTS

CA	111258	*	9/2006
KR	300344281.0000	*	2/2004

OTHER PUBLICATIONS

Choice 10, 12, 16, and 20 oz. White Hot Paper Cup Travel Lid, Announced Dec. 16, 2010, [Site Visited May 20, 2015] <http://www.webstaurantstore.com/choice-10-12-16-and-20-oz-white-hot-paper-cup-travel-lid-1000-case/500L1020W.html>.*

(Continued)

Primary Examiner — John Windmuller

Assistant Examiner — Luqman McNeil

(74) *Attorney, Agent, or Firm* — Novick, Kim & Lee, PLLC; Jae Youn Kim

(57) **CLAIM**

I claim, the ornamental design for a lid for a cup, as shown and described.

DESCRIPTION

FIG. 1 is a perspective view of a lid for a cup showing my new design;

FIG. 2 is a front elevational view thereof;

FIG. 3 is a rear elevational view thereof;

FIG. 4 is a right side elevational view thereof;

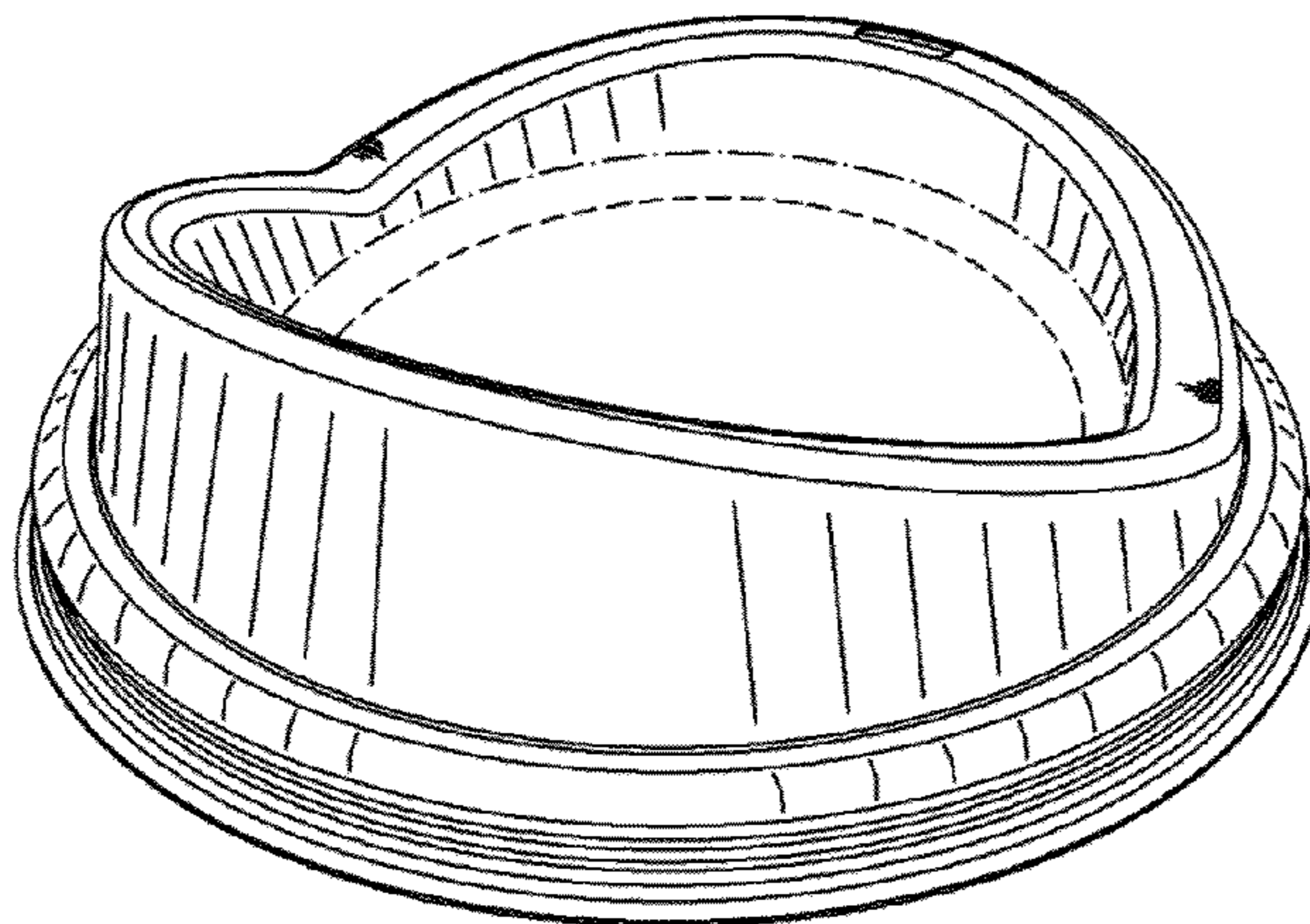
FIG. 5 is a left side elevational view thereof;

FIG. 6 is a top plan view thereof; and,

FIG. 7 is a bottom plan view thereof.

The dot-dash broken line represents a boundary of the claimed design. The dash-dash broken lines represents unclaimed subject matter.

1 Claim, 5 Drawing Sheets



(56)

References Cited

U.S. PATENT DOCUMENTS

D540,165 S * 4/2007 Hollis et al. D9/447
D540,672 S * 4/2007 Hollis et al. D9/447
D543,777 S * 6/2007 Seum et al. D7/392.1
D544,793 S * 6/2007 Hollis et al. D9/447
D556,573 S * 12/2007 Hollis et al. D9/435
D570,686 S * 6/2008 Hollis et al. D9/447
D572,587 S * 7/2008 Rush et al. D9/447
D583,191 S * 12/2008 Wong D7/396.2
D605,509 S * 12/2009 Leonardis D9/435
D614,954 S * 5/2010 Crowell et al. D9/447
D624,413 S * 9/2010 Selina et al. D9/447
D649,878 S * 12/2011 Weiss D9/447

D657,670 S * 4/2012 Folos et al. D9/447
D658,057 S * 4/2012 Donat D9/447
D660,696 S * 5/2012 Weiss D9/447
D675,524 S * 2/2013 Bickert et al. D9/447
2006/0071008 A1* 4/2006 Sadlier 220/713
2008/0011762 A1* 1/2008 Boone 220/713
2011/0139800 A1* 6/2011 Urban 220/713

OTHER PUBLICATIONS

Port Thoughts: The Evils of the Modern World Part 2), Announced
Aug. 31, 2006, [Site Visited May 20, 2015] http://www.mrports.com/2006_08_01_archive.html.*

* cited by examiner

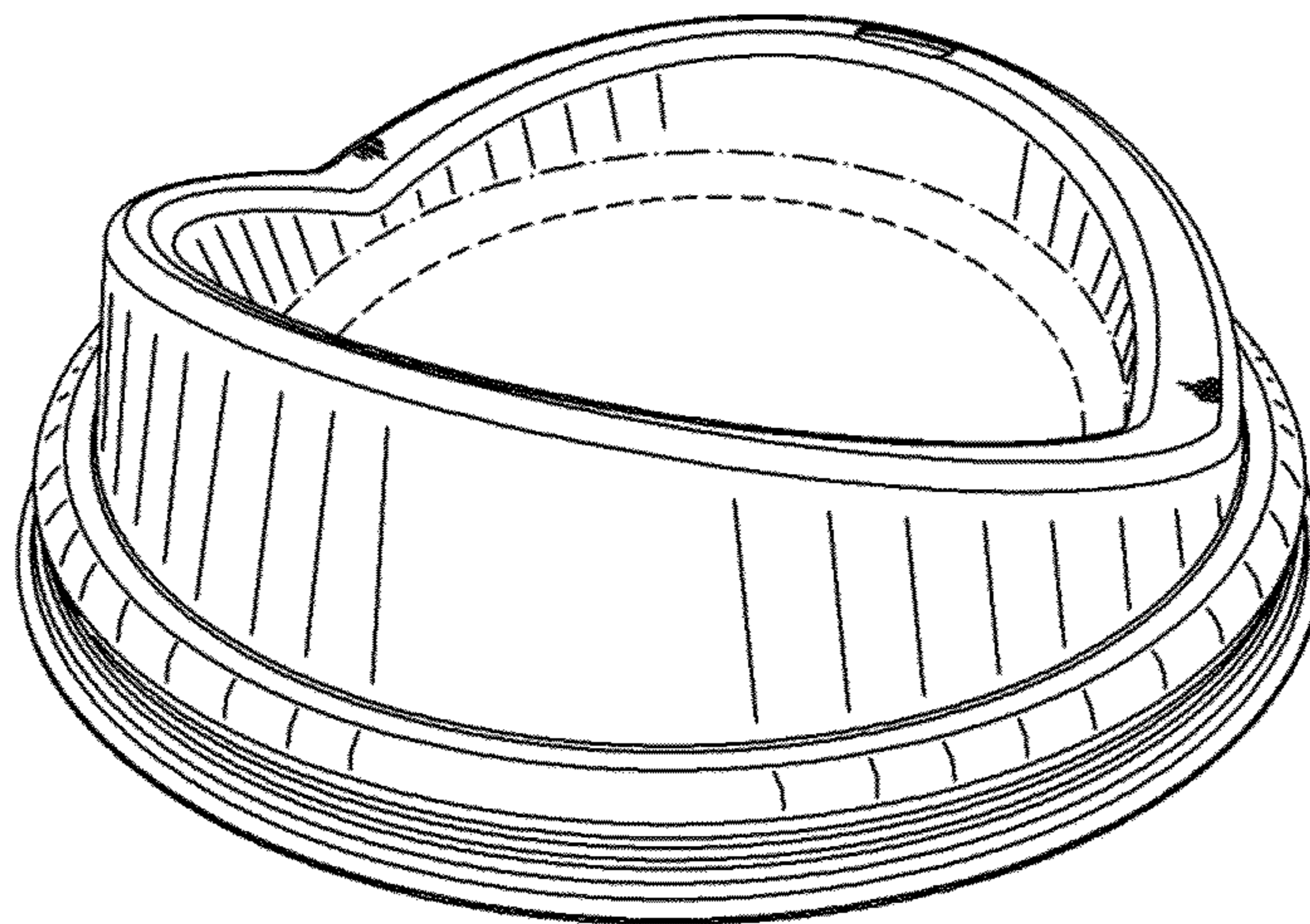


Fig. 1

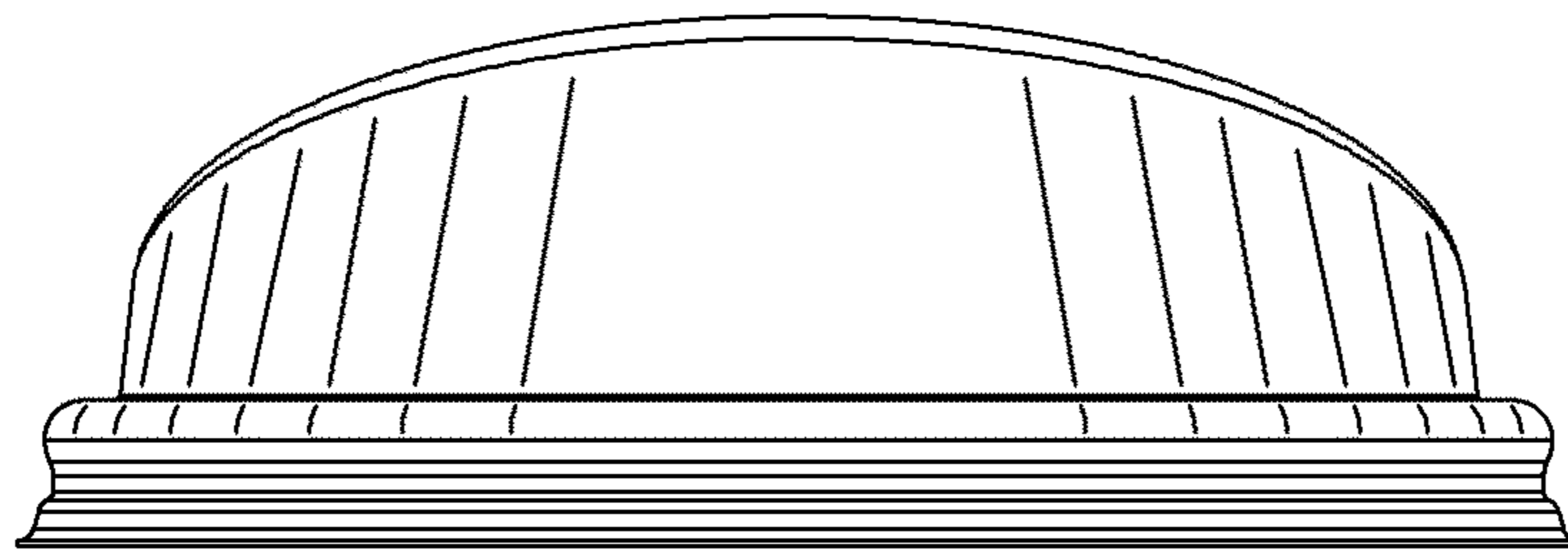


Fig.2

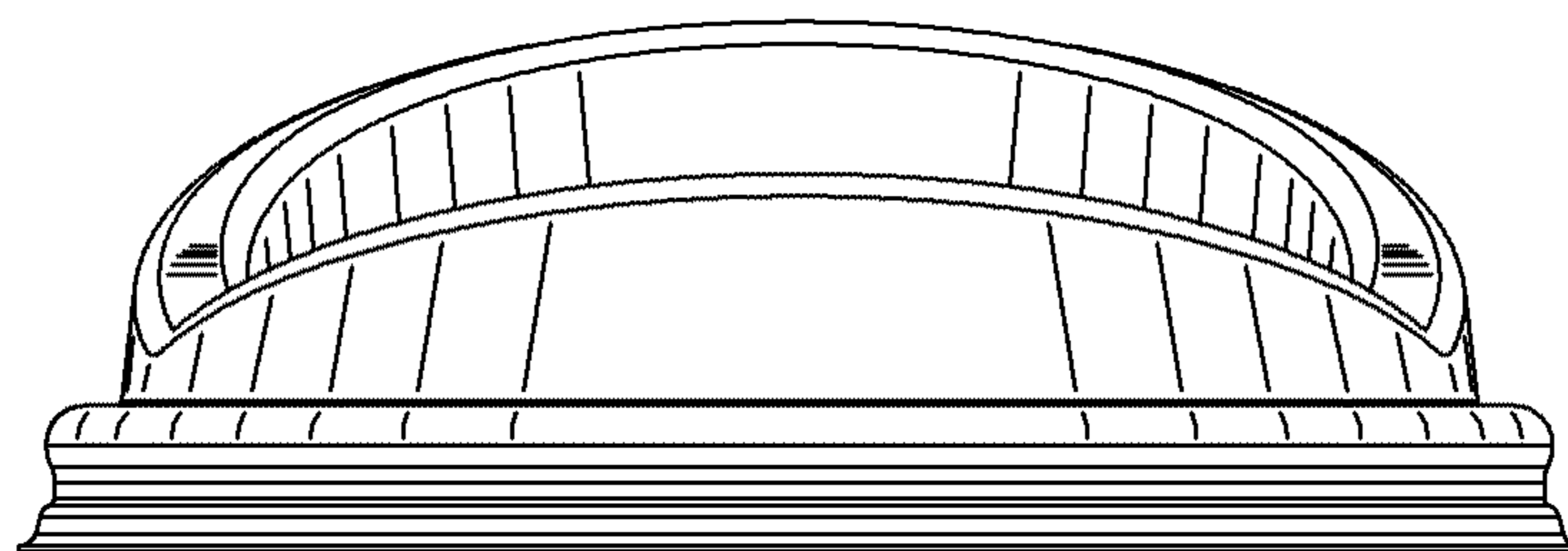


Fig.3

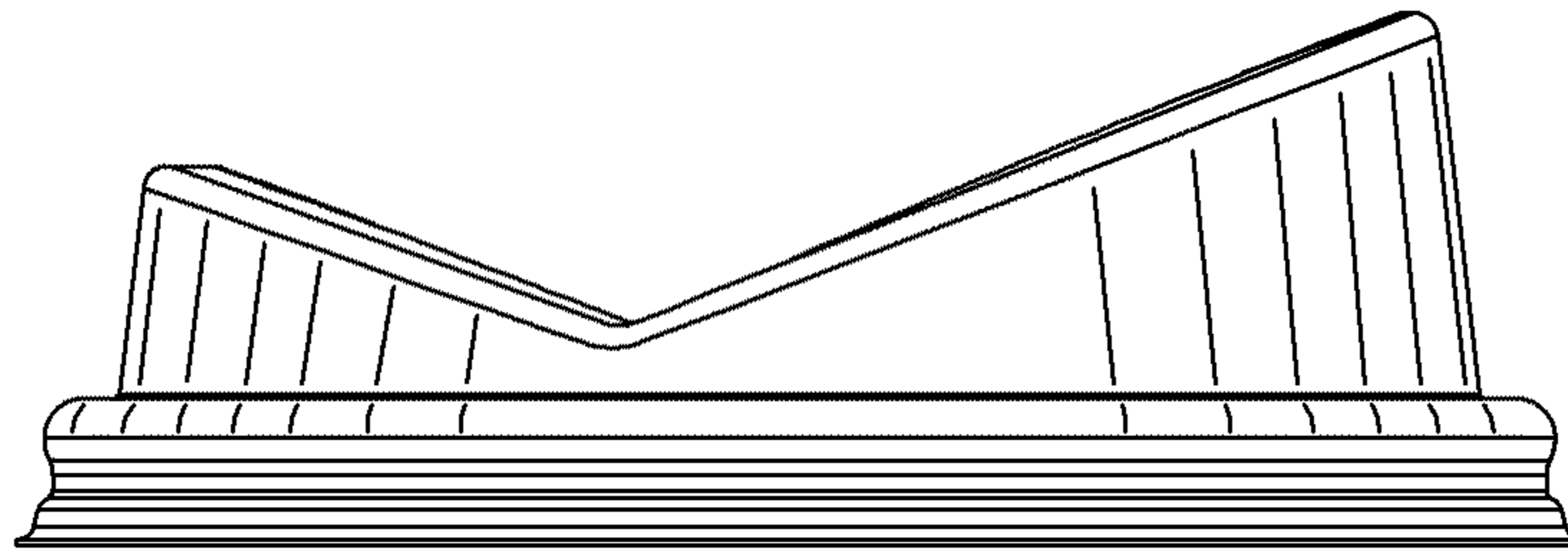


Fig.4

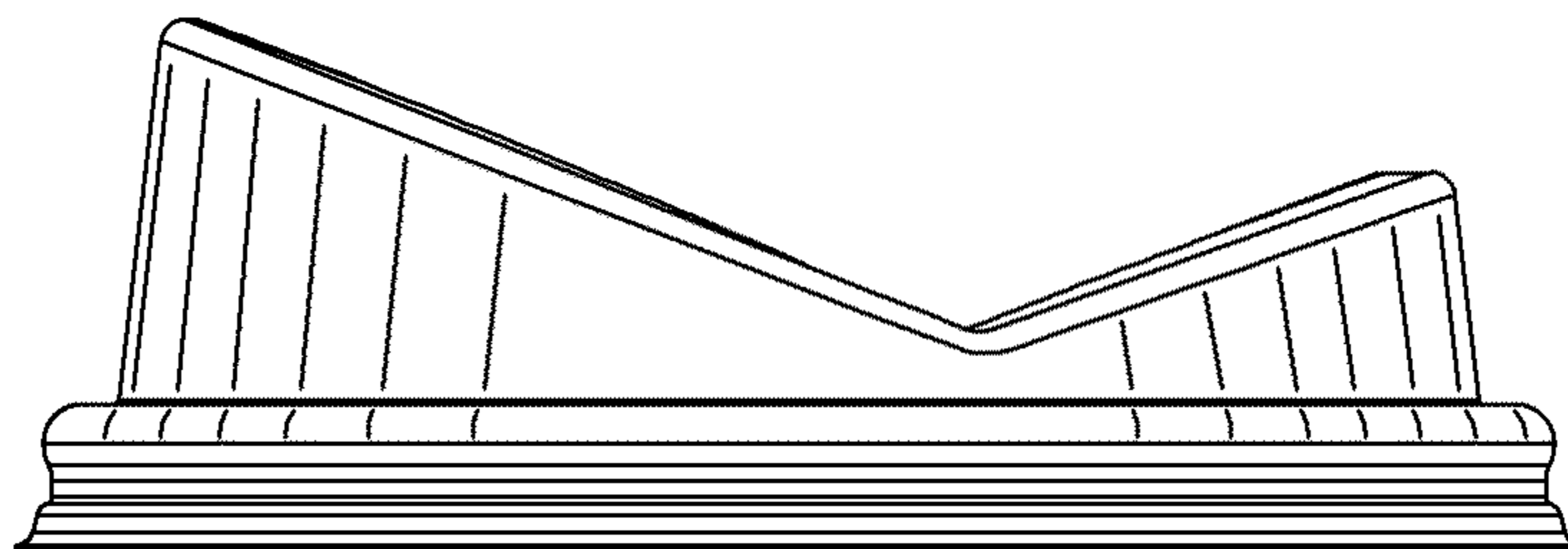


Fig.5

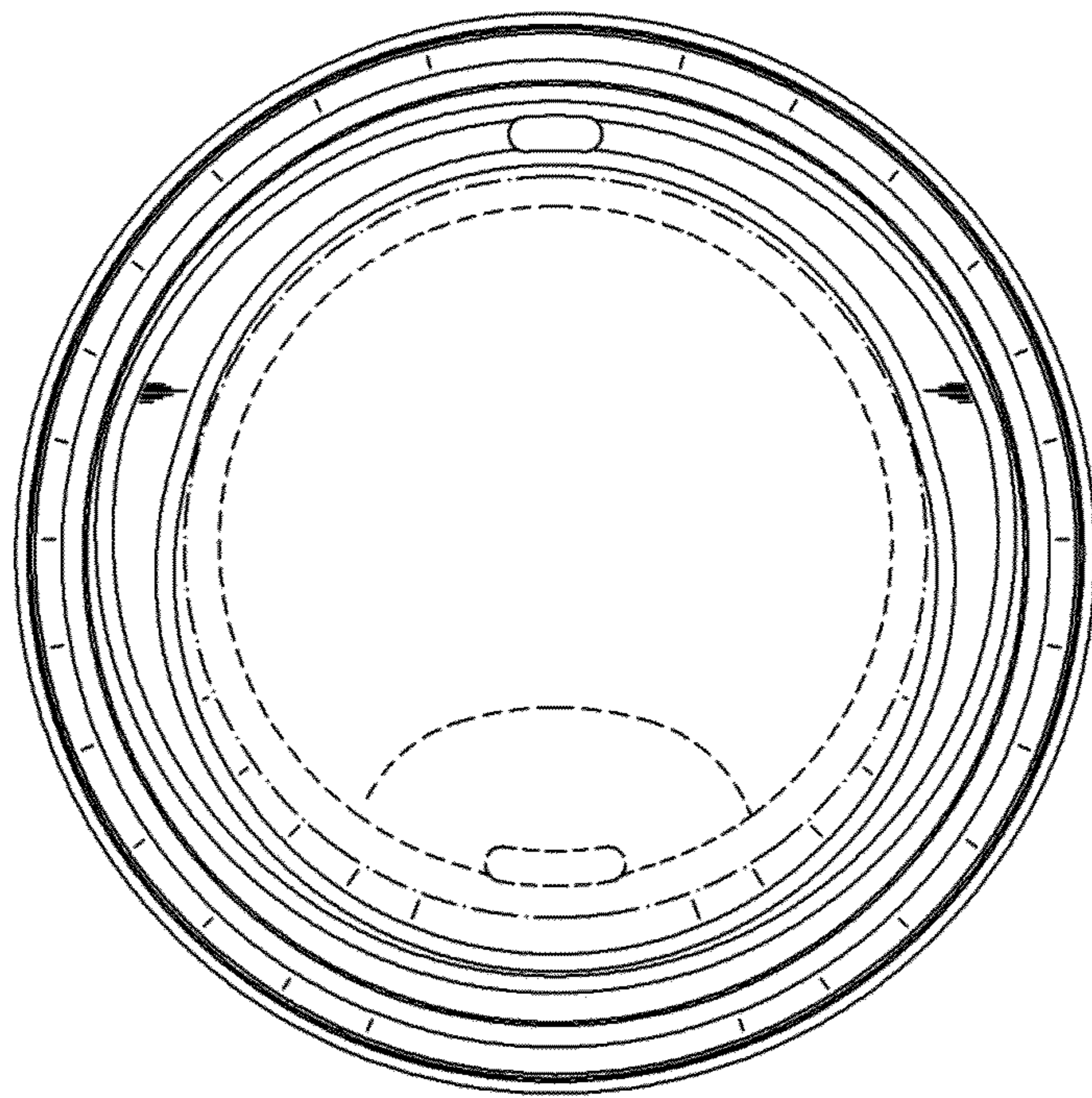


Fig. 6

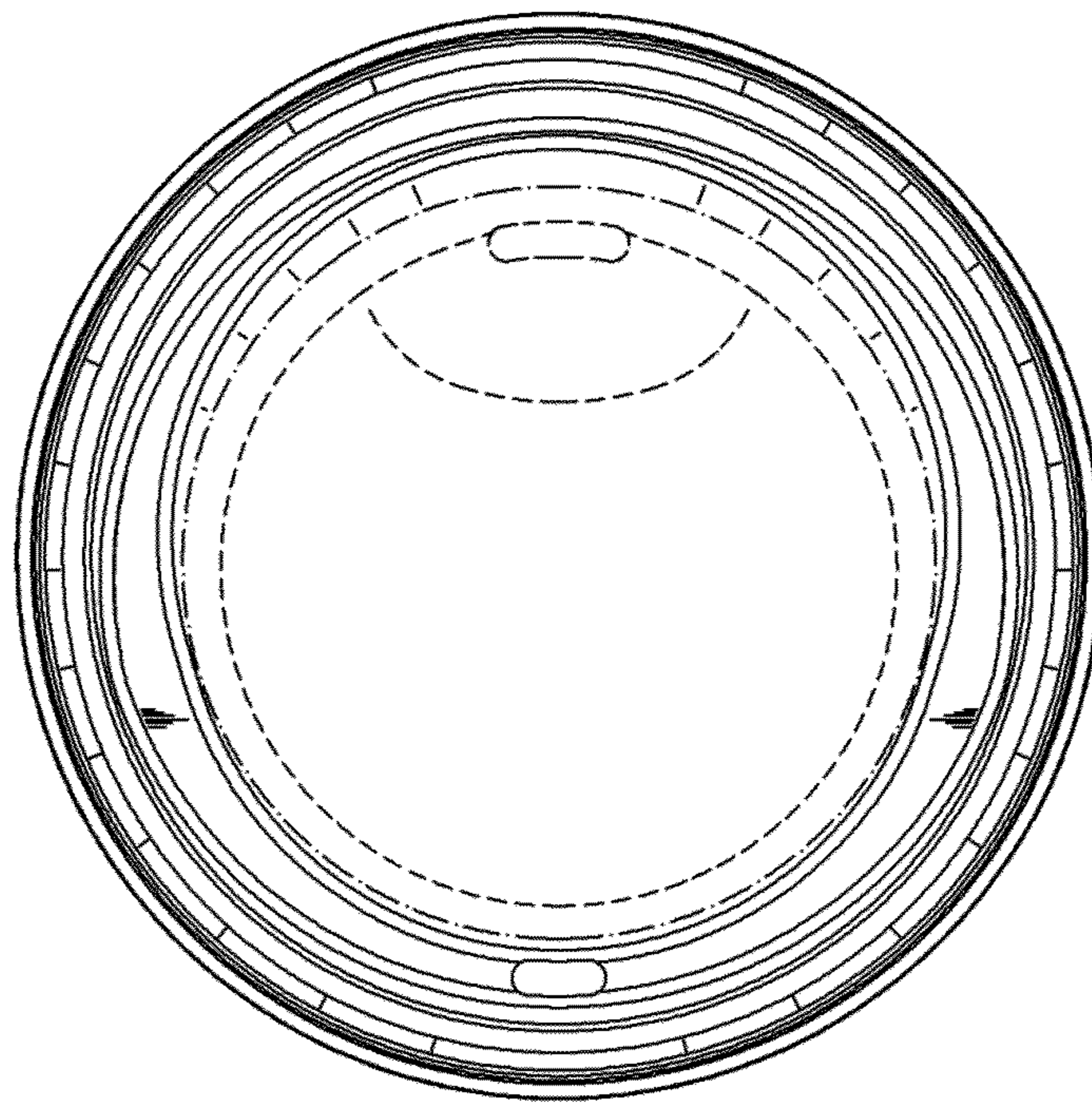


Fig. 7