



US00D754533S

(12) **United States Design Patent**  
**Afford et al.**

(10) **Patent No.:** **US D754,533 S**  
(45) **Date of Patent:** **\*\* \*Apr. 26, 2016**

(54) **TRAY PACKAGE FOR AN INHALATION DEVICE**

(56) **References Cited**

(71) Applicant: **GlaxoSmithKline Intellectual Property Development Limited**, Brentford, Middlesex (GB)

(72) Inventors: **Neil Afford**, Brentford (GB); **Paul R. Smith**, Ware (GB); **Gregor Anderson**, Brentford (GB); **Heinrich Johann Isler**, Samstageren (CH)

(73) Assignee: **GlaxoSmithKline Intellectual Property Development Limited**, Brentford, Middlesex (GB)

(\*) Notice: This patent is subject to a terminal disclaimer.

(\*\*) Term: **14 Years**

(21) Appl. No.: **29/485,918**

(22) Filed: **Mar. 25, 2014**

U.S. PATENT DOCUMENTS

D394,005 S	5/1998	Marijnissen	
D440,874 S	4/2001	Shurtleff et al.	
D450,240 S	11/2001	Haag et al.	
D510,263 S	10/2005	Isono et al.	
D539,134 S	3/2007	Wallach	
D574,229 S	8/2008	Terrasi	
D574,703 S	8/2008	Cassol et al.	
D579,767 S	11/2008	Wallach	
D585,762 S	2/2009	Friedland et al.	
D651,508 S	1/2012	Layfield	
D655,154 S	3/2012	Amos et al.	
D673,447 S *	1/2013	Freeman et al.	D9/424
D677,150 S *	3/2013	Barbier	D9/424
D682,116 S *	5/2013	Sina	D9/667
D682,673 S *	5/2013	Miller et al.	D9/424
D694,621 S *	12/2013	McCarthy et al.	D9/429
D695,106 S *	12/2013	Yang	D9/425
D697,402 S *	1/2014	Rosi	D9/432
D698,643 S *	2/2014	Malley et al.	D9/425
D701,115 S *	3/2014	Doerr et al.	D9/424
D706,620 S *	6/2014	Matsumura et al.	D9/424

(Continued)

*Primary Examiner* — Philip S Hyder

*Assistant Examiner* — Keith Frank

(74) *Attorney, Agent, or Firm* — Robert J. Smith

(57) **CLAIM**

The ornamental design for a tray package for an inhalation device, as shown and described.

**DESCRIPTION**

FIG. 1 is a top perspective view of a tray package for an inhalation device, showing our new design;

FIG. 2 is a top plan view thereof;

FIG. 3 is a bottom plan view thereof;

FIG. 4 is a side view thereof;

FIG. 5 is an opposed side view thereof.

FIG. 6 is an end view thereof; and,

FIG. 7 is an opposite end view thereof.

**Related U.S. Application Data**

(63) Continuation of application No. 29/446,167, filed on Feb. 21, 2013, now abandoned, and a continuation of application No. 29/426,021, filed on Jun. 29, 2012, now Pat. No. Des. 679,586, and a continuation of application No. 29/400,627, filed on Aug. 31, 2011, now abandoned.

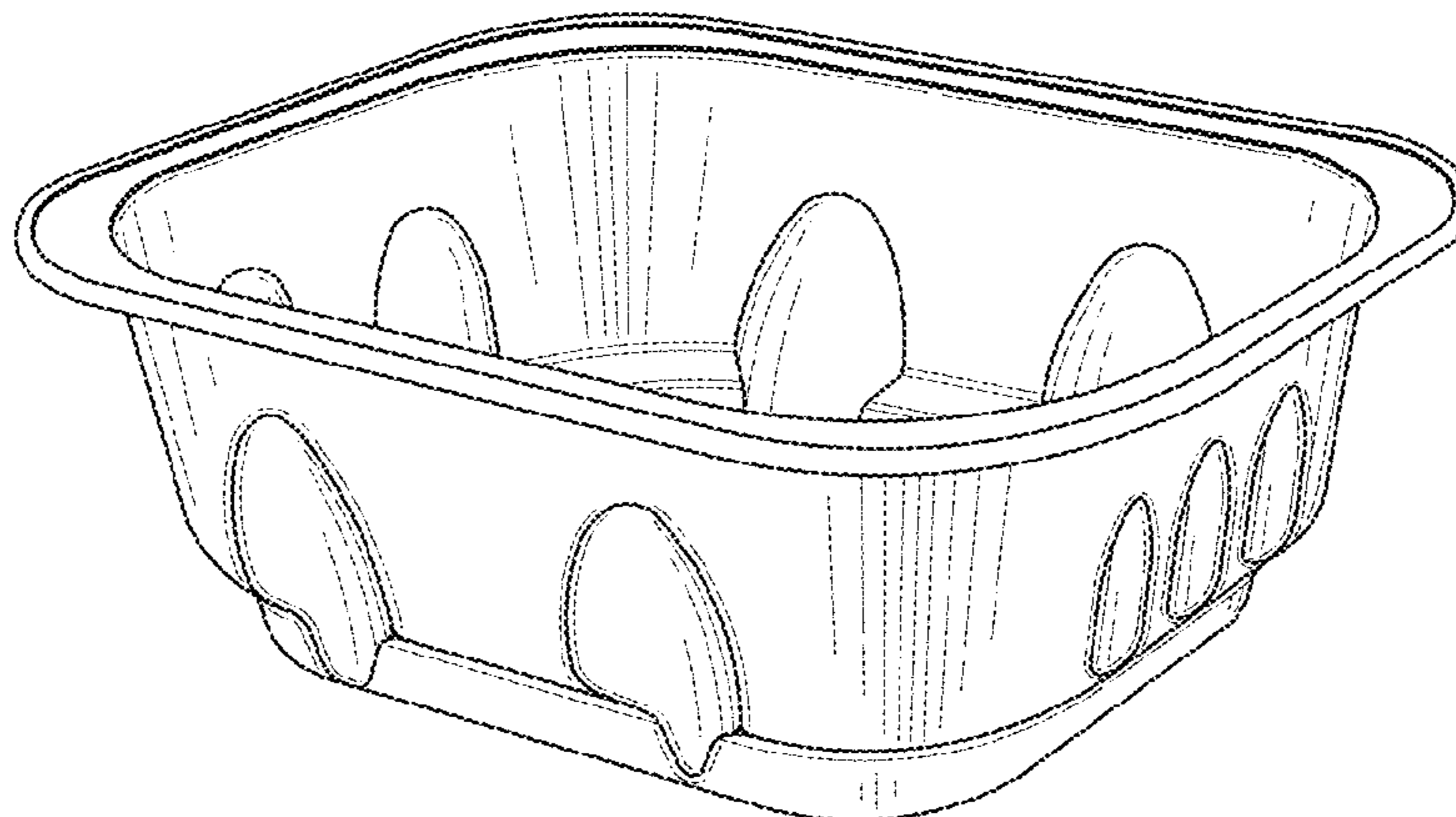
(51) **LOC (10) Cl.** ..... **09-03**

(52) **U.S. Cl.**  
USPC ..... **D9/425**

(58) **Field of Classification Search**  
USPC ..... D9/414, 415, 416, 418, 424, 425, 430,  
D9/432, 435, 443; 206/528, 531; 220/9.1,  
220/9.4, 890

See application file for complete search history.

**1 Claim, 2 Drawing Sheets**



# US D754,533 S

Page 2

---

(56)

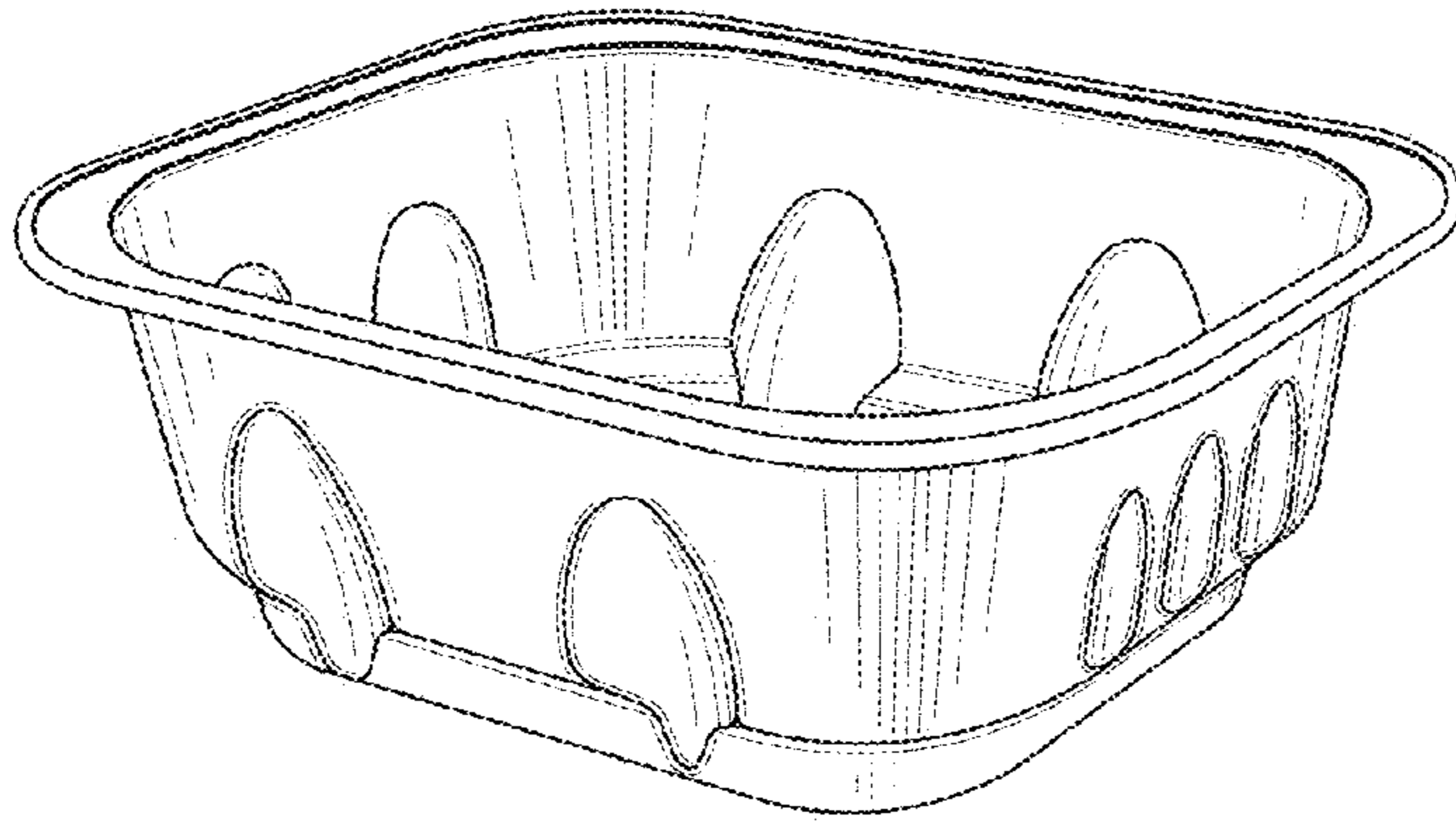
## References Cited

### U.S. PATENT DOCUMENTS

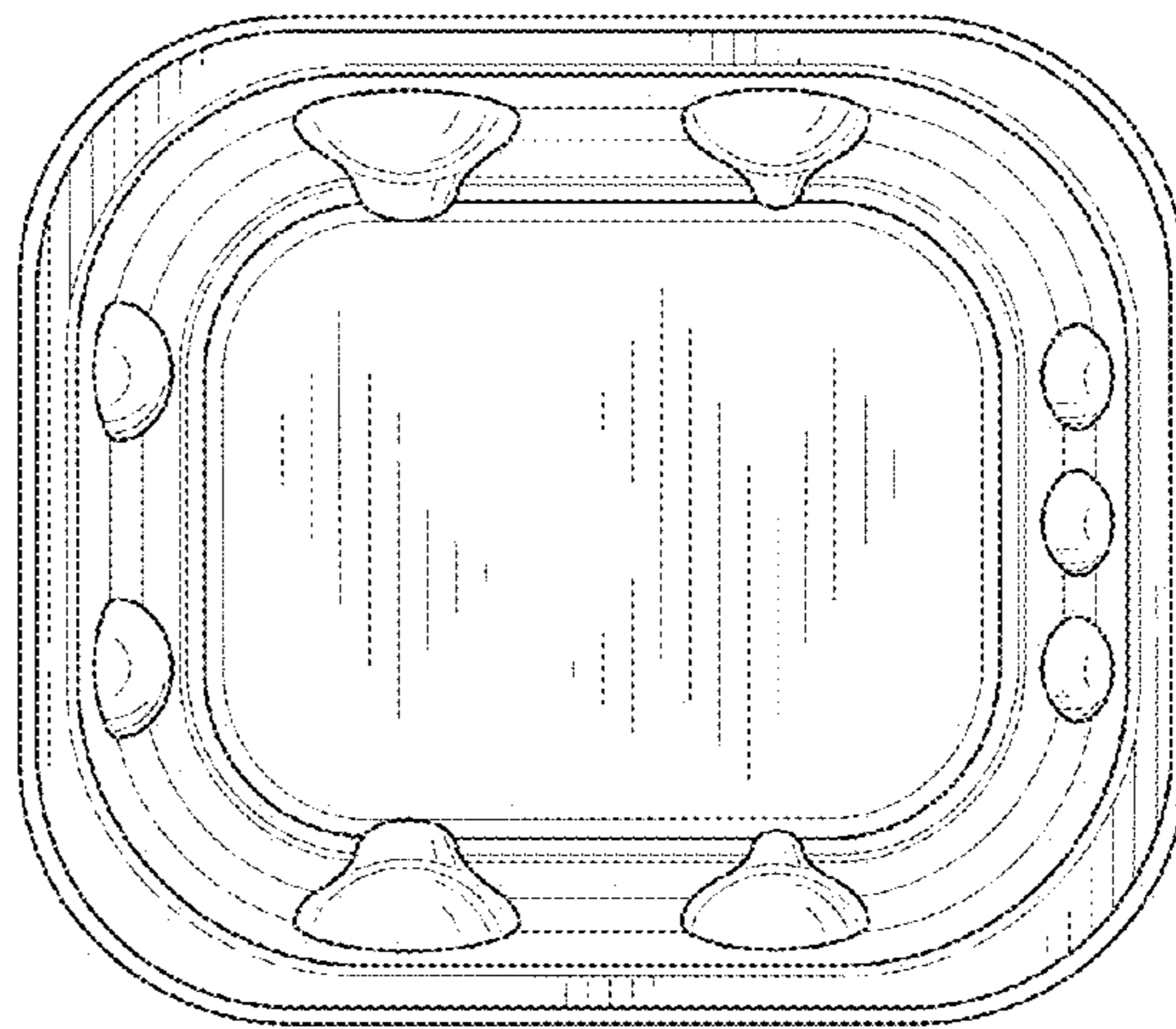
D710,701 S \* 8/2014 Lai ..... D9/456  
D719,020 S \* 12/2014 Avis ..... D9/432

2002/0100760 A1 8/2002 Rinks  
2002/0125252 A1 9/2002 Massey et al.  
2013/0015096 A1\* 1/2013 BeVier et al. .... 206/557

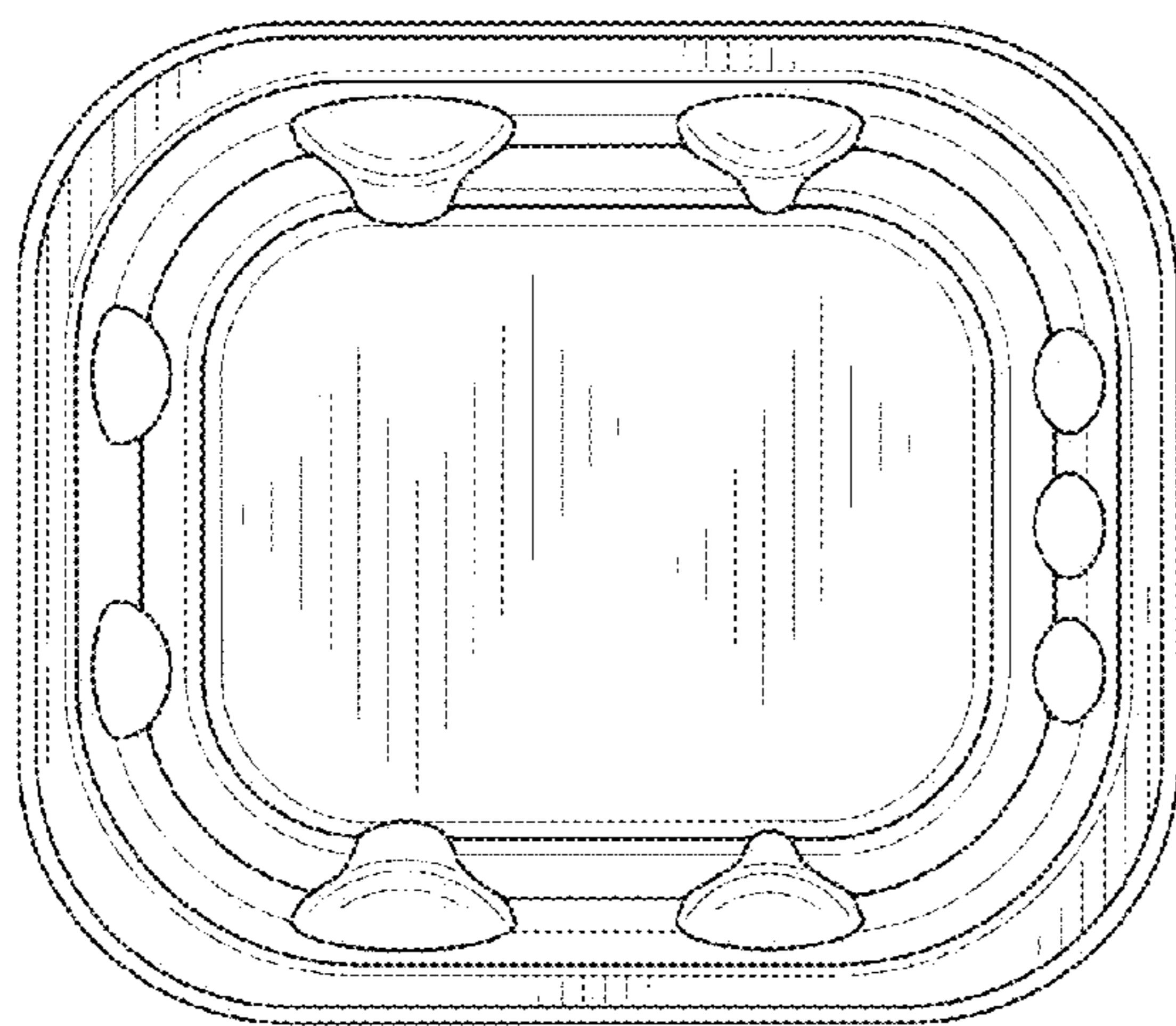
\* cited by examiner



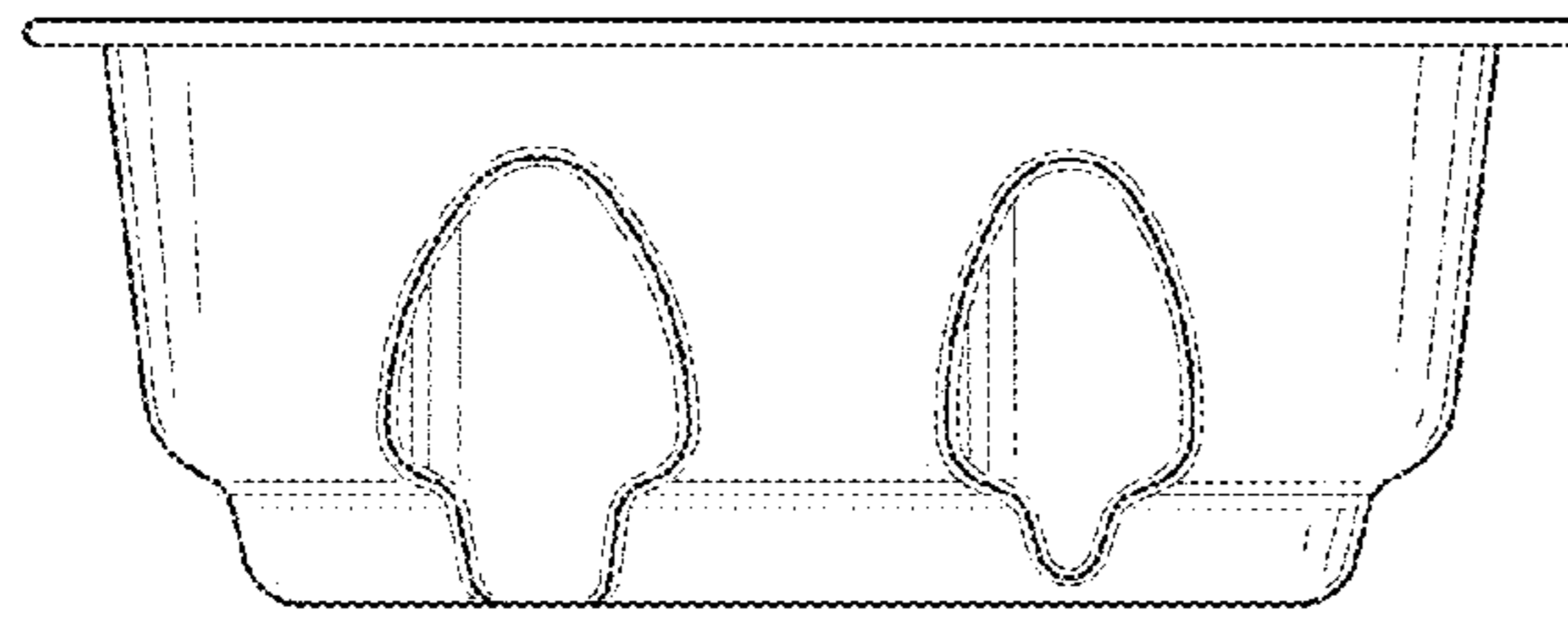
**FIG. 1**



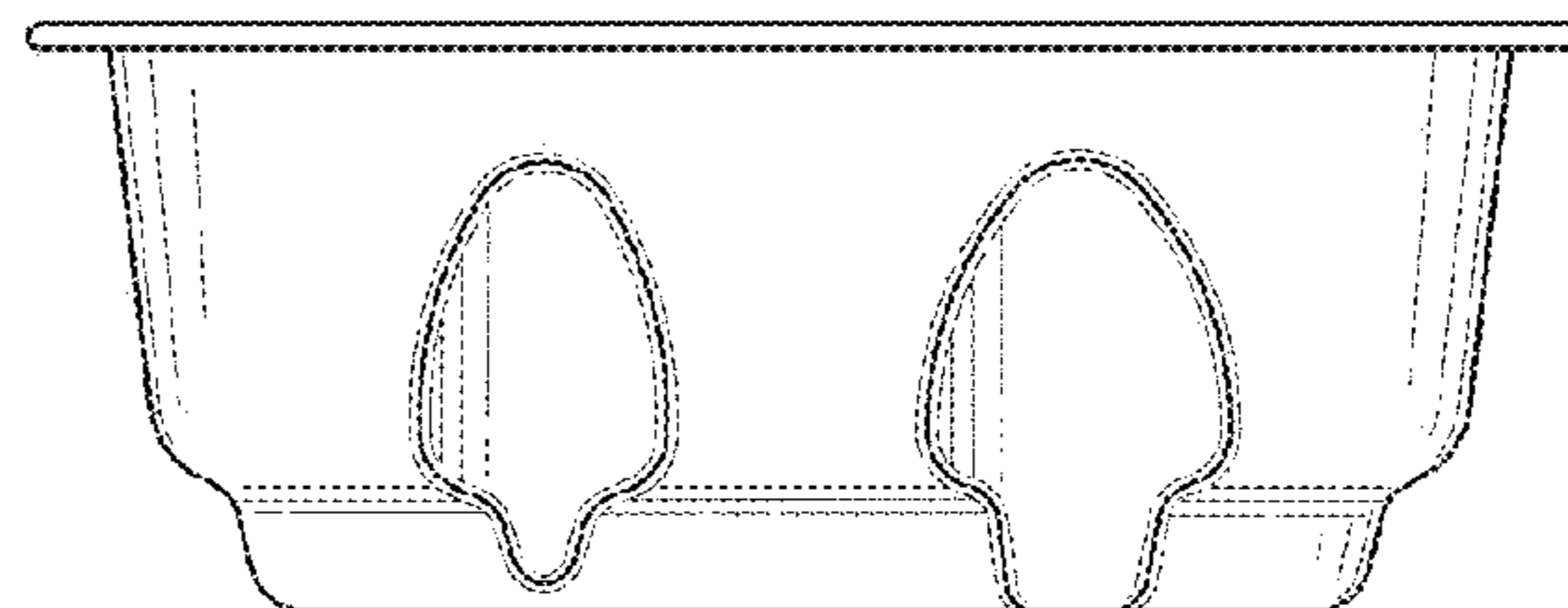
**FIG. 2**



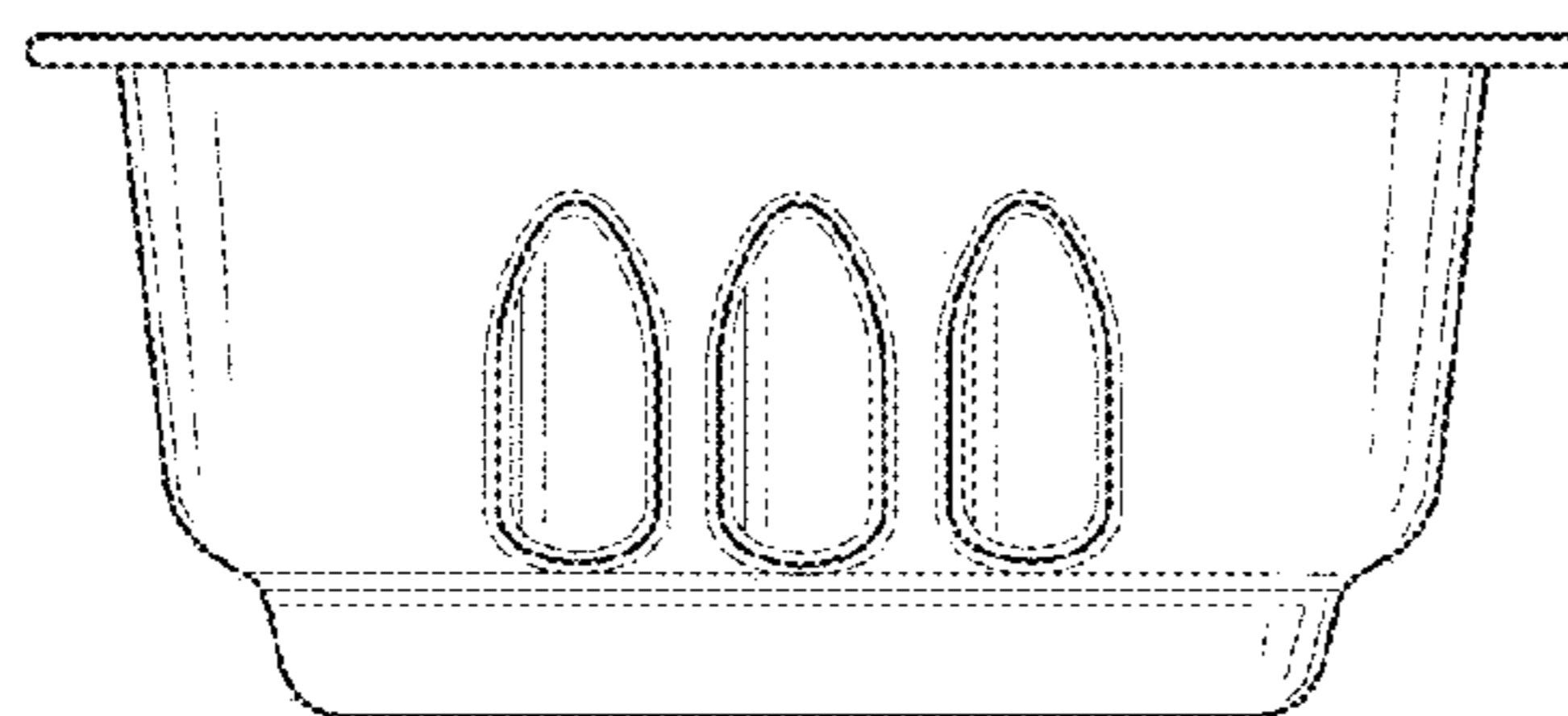
**FIG. 3**



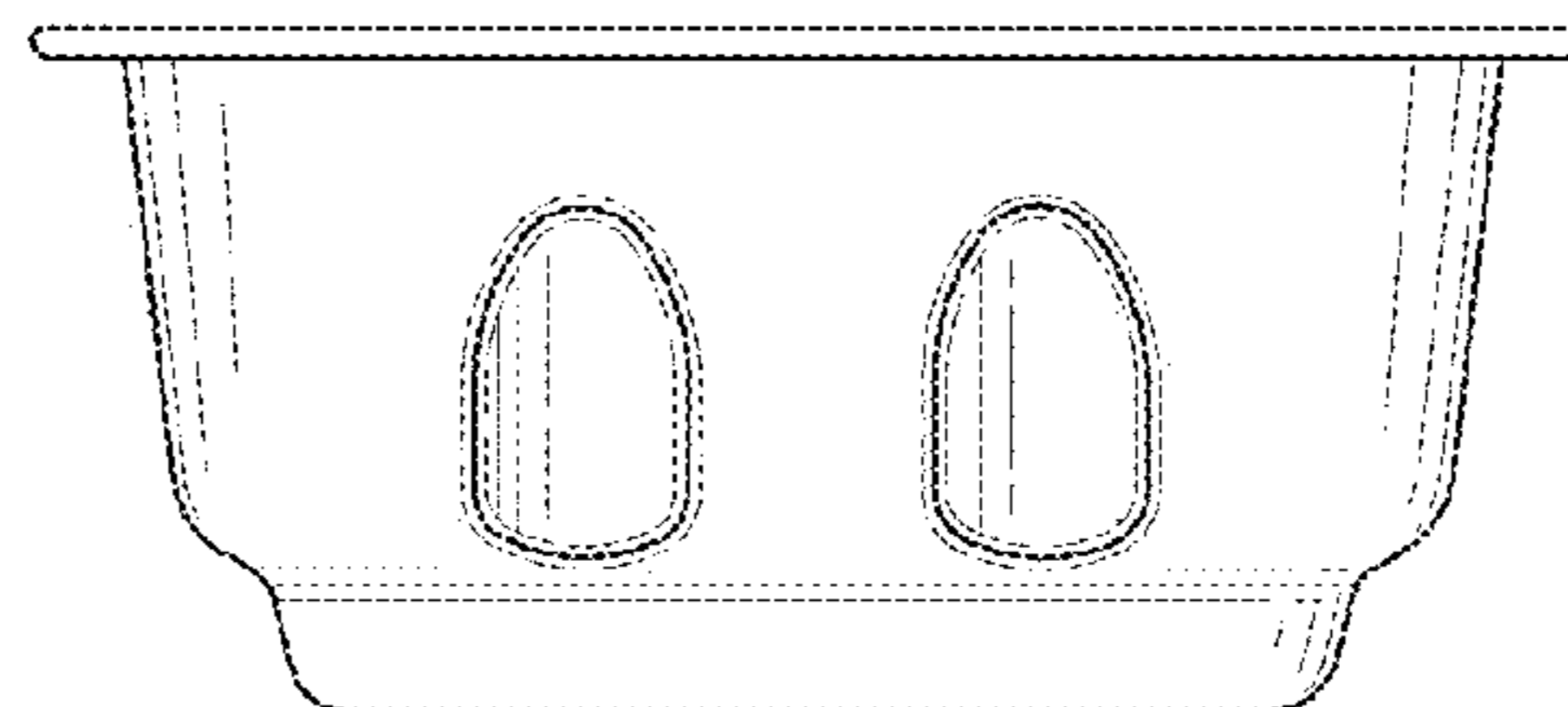
**FIG. 4**



**FIG. 5**



**FIG. 6**



**FIG. 7**