



US00D754532S

(12) **United States Design Patent**  
**Cho**

(10) **Patent No.:** **US D754,532 S**

(45) **Date of Patent:** **\*\* Apr. 26, 2016**

(54) **HAND TOOL DISPLAY BOX**

(71) Applicant: **Yao-Lin Cho**, Taichung (TW)

(72) Inventor: **Yao-Lin Cho**, Taichung (TW)

(\*\*) Term: **14 Years**

(21) Appl. No.: **29/493,318**

(22) Filed: **Jun. 9, 2014**

(51) **LOC (10) Cl.** ..... **09-03**

(52) **U.S. Cl.**  
USPC ..... **D9/415**

(58) **Field of Classification Search**  
USPC ..... D3/269, 273, 274, 276, 282, 288, 294,  
D3/315; D9/414, 415, 420, 421, 424, 715,  
D9/718, 722, 737; 206/206, 507, 349,  
206/372-378, 461, 462, 471, 775, 776;  
211/13.1, 70.6

See application file for complete search history.

(56) **References Cited**

**U.S. PATENT DOCUMENTS**

5,975,297	A *	11/1999	Kao	.....	206/378
D642,902	S *	8/2011	Christopher	.....	D9/415
D673,036	S *	12/2012	Wolf	.....	D9/420
D710,668	S *	8/2014	Wu	.....	D8/71
D730,053	S *	5/2015	Ou	.....	D3/315
D730,054	S *	5/2015	Ou	.....	D3/315
D730,055	S *	5/2015	Ou	.....	D3/315

2005/0087465	A1 *	4/2005	Chang	.....	206/373
2011/0180499	A1 *	7/2011	Sun	.....	211/70.6
2012/0043238	A1 *	2/2012	Christopher	.....	206/375

**OTHER PUBLICATIONS**

<http://toolguyd.com/husky-open-end-socket-set/> Available Oct. 31, 2011.\*

\* cited by examiner

*Primary Examiner* — Susan Bennett Hattan

*Assistant Examiner* — Leanne Was

(57) **CLAIM**

The ornamental design for a hand tool display box, as shown and described.

**DESCRIPTION**

FIG. 1 is a front perspective view of a hand tool display box showing my new design;

FIG. 2 is a front elevational view thereof;

FIG. 3 is a rear elevational view thereof;

FIG. 4 is a left side view thereof;

FIG. 5 is a right side view thereof;

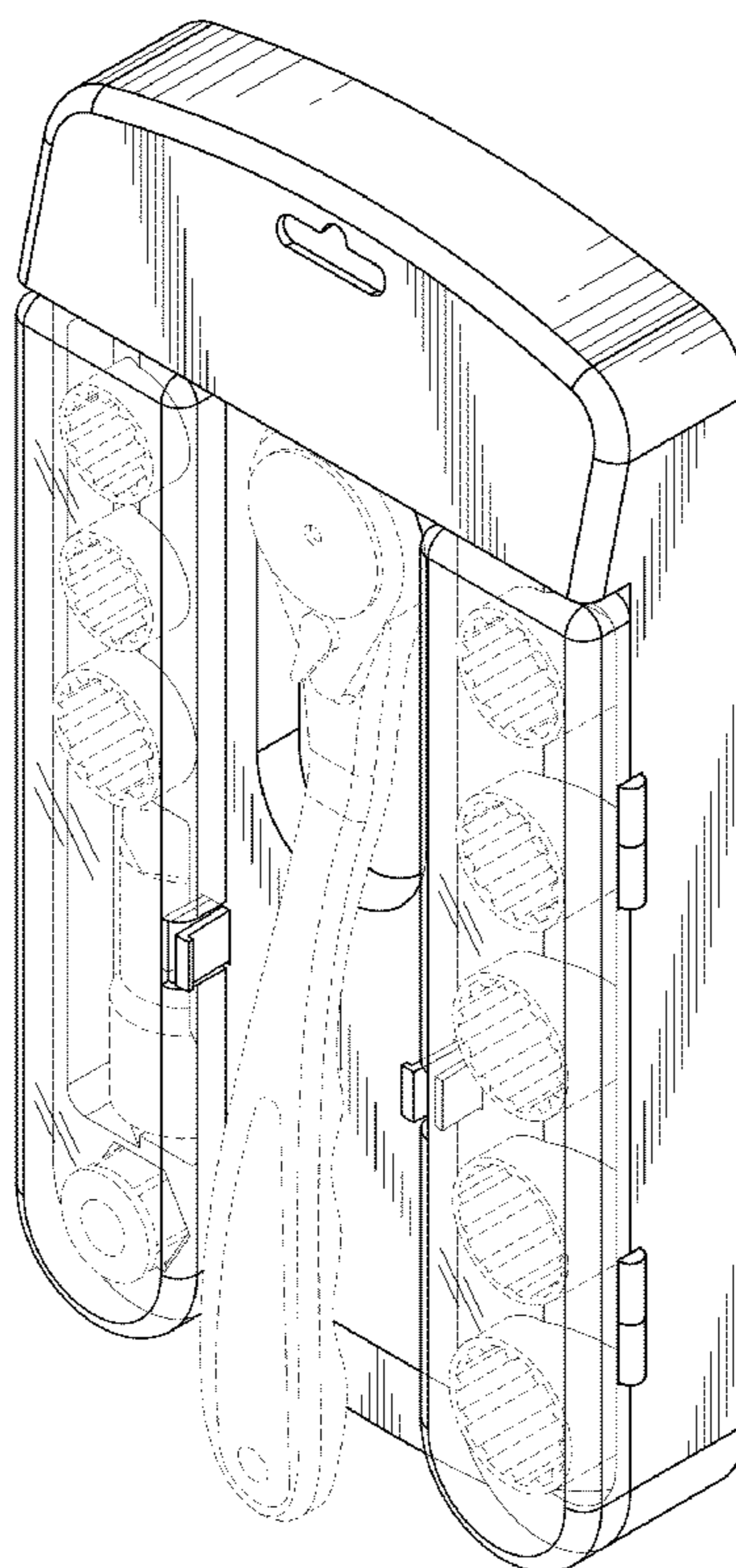
FIG. 6 is a top plan view thereof;

FIG. 7 is a bottom plan view thereof; and,

FIG. 8 is a rear perspective view thereof.

The broken lines shown herein depict environmental subject matter only and form no part of the claimed design.

**1 Claim, 7 Drawing Sheets**



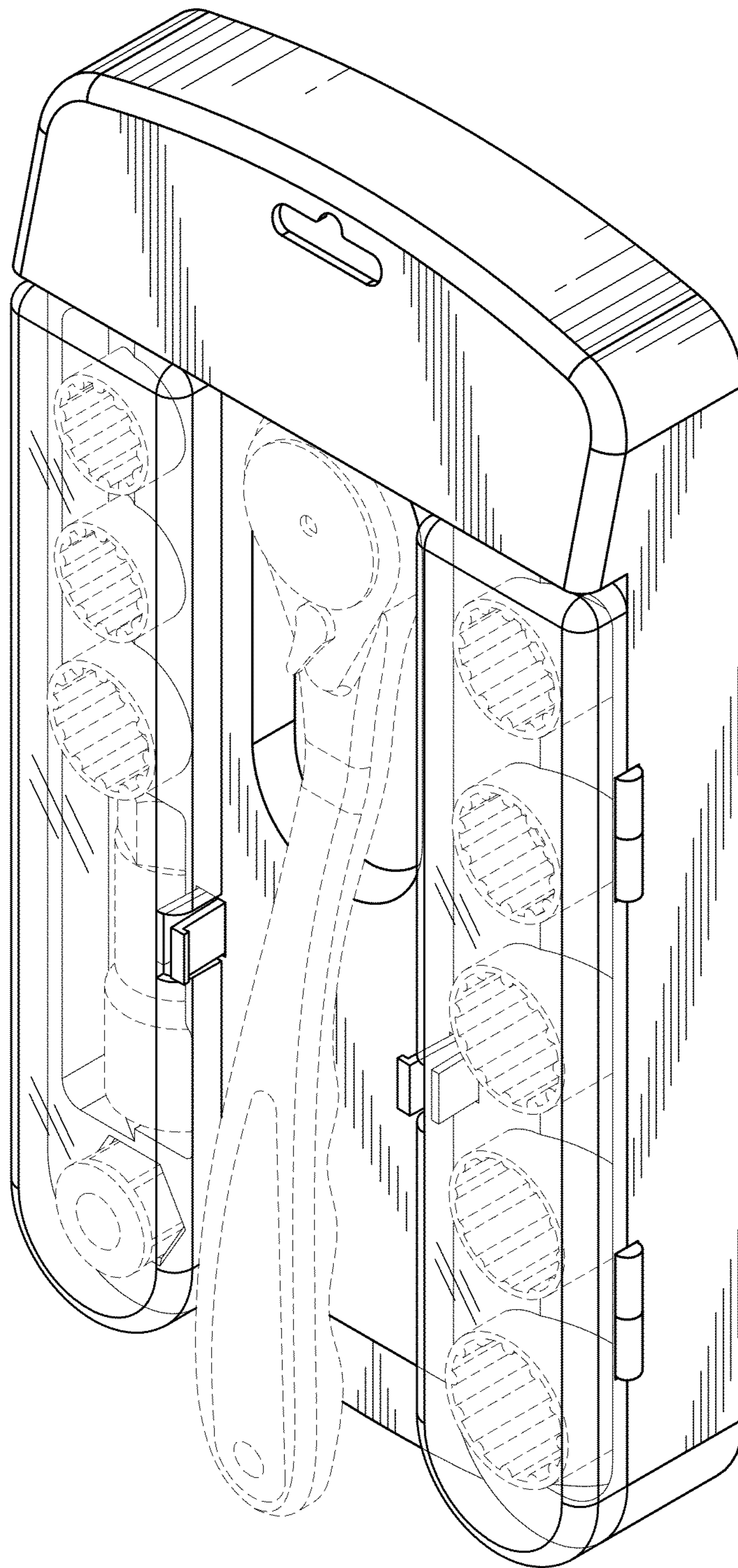


FIG.1

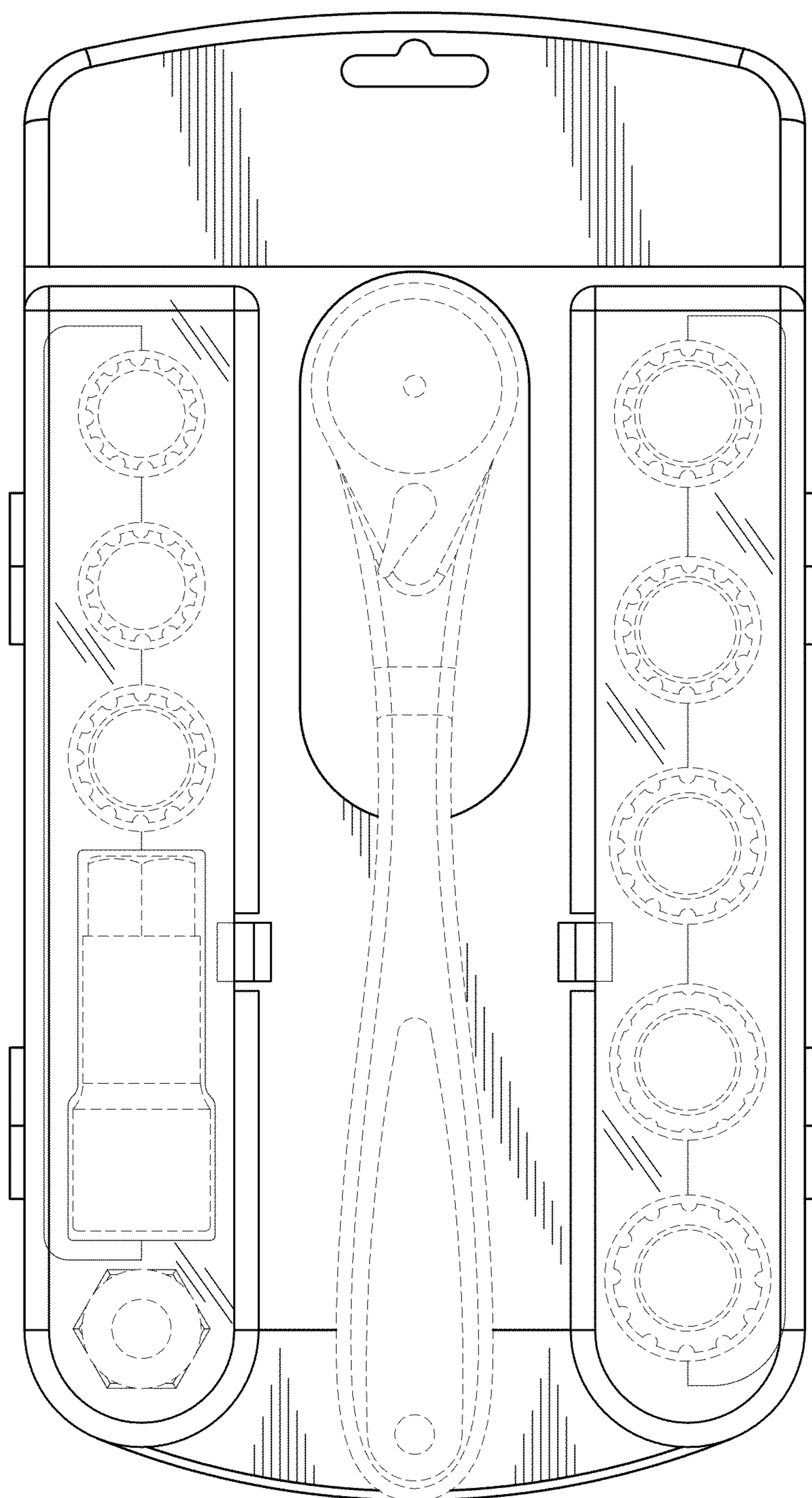


FIG.2

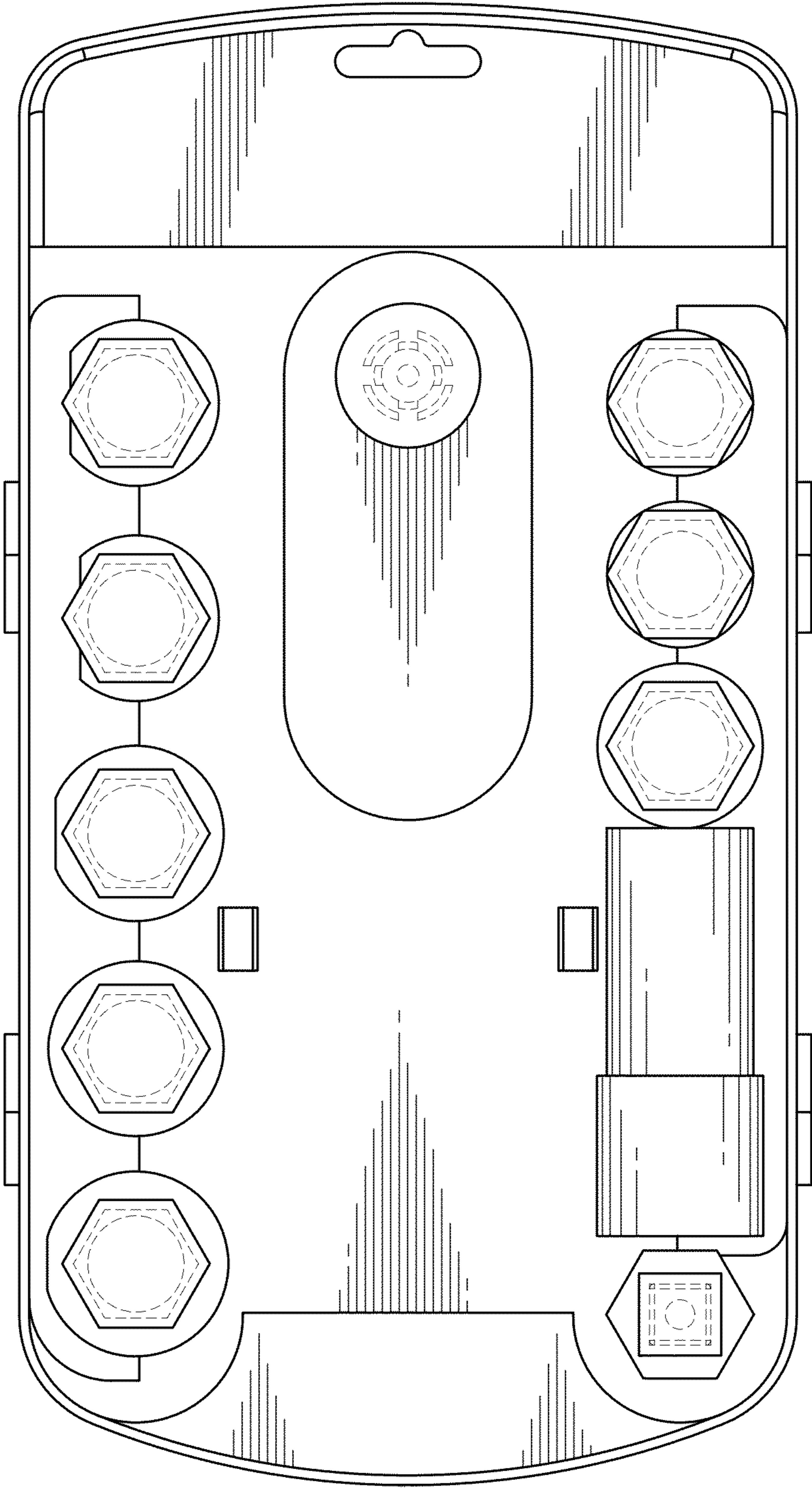


FIG.3

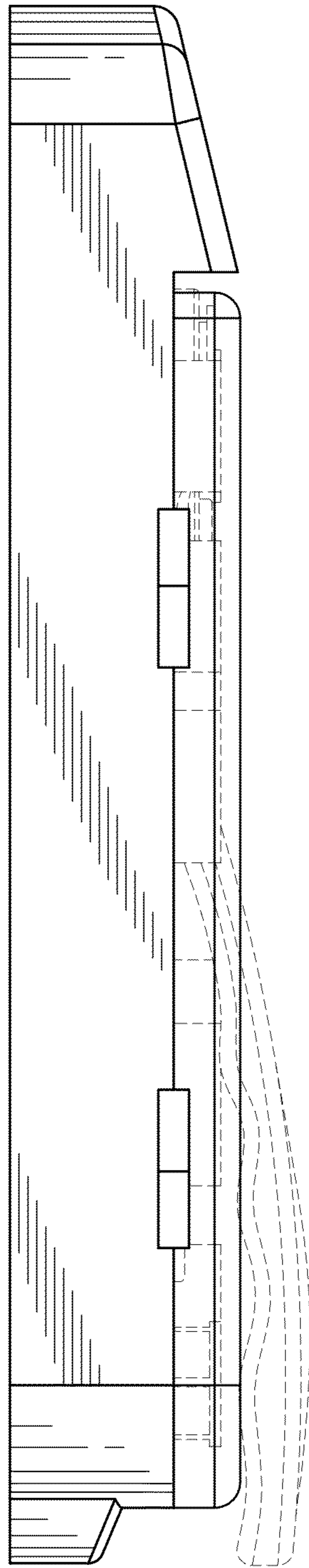


FIG.4

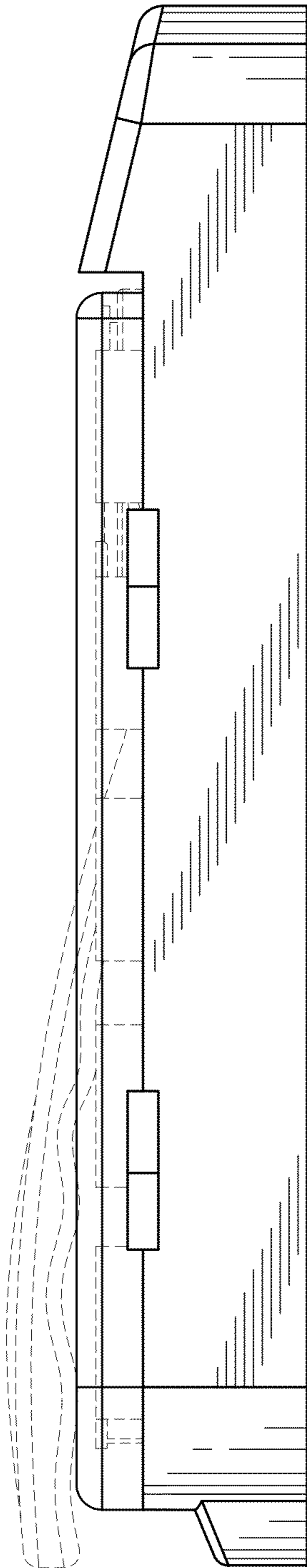


FIG.5

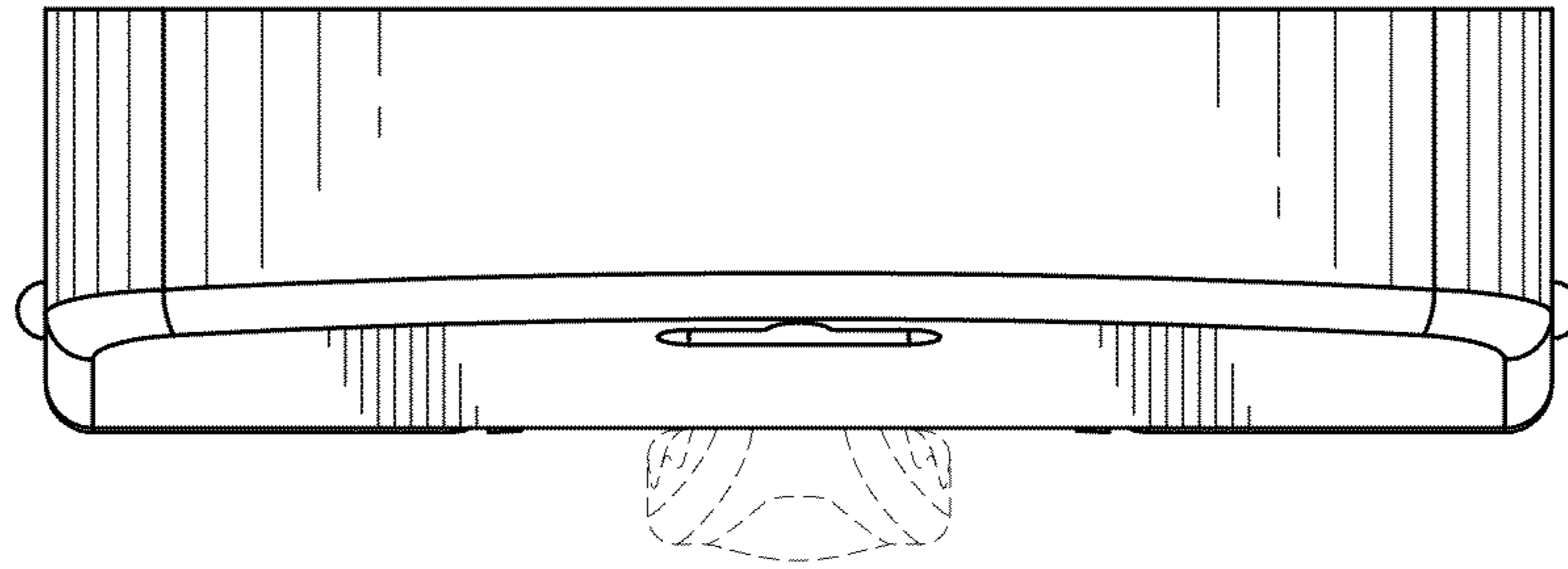


FIG.6

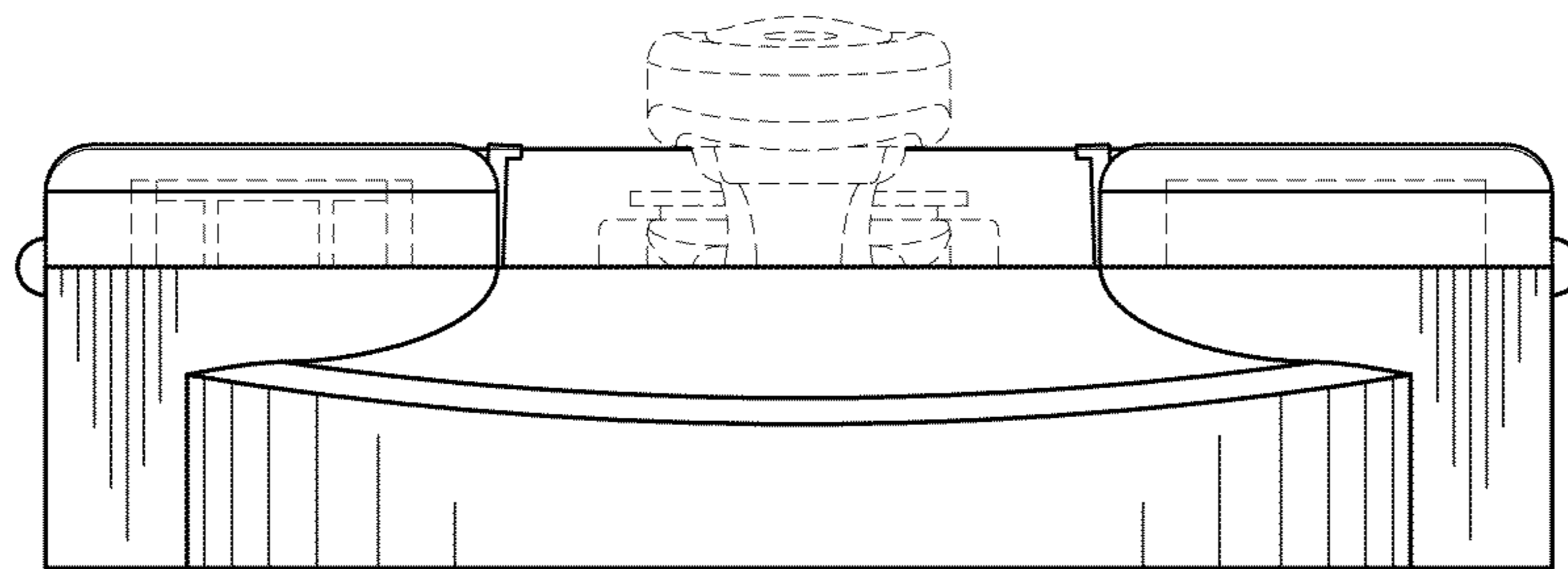


FIG.7

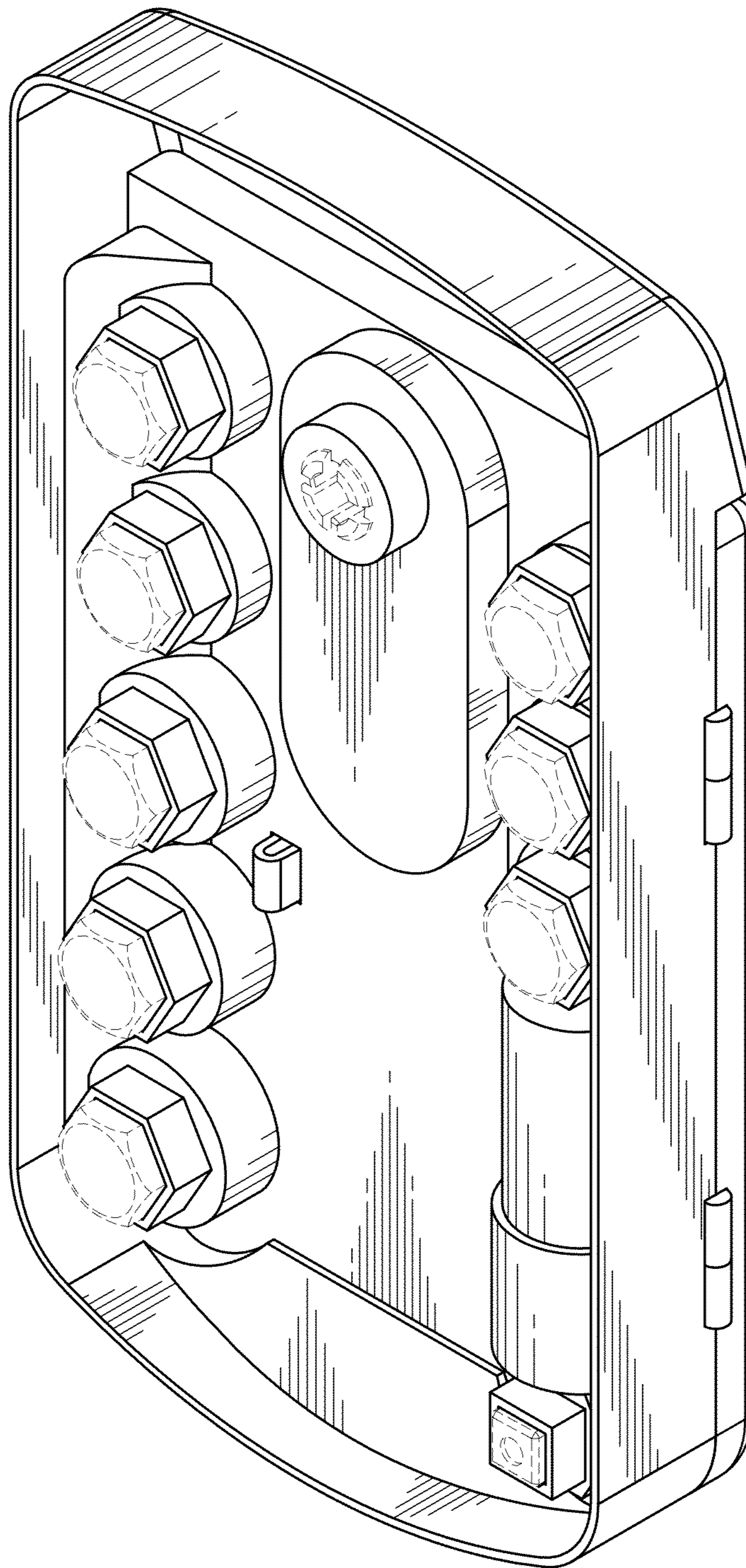


FIG.8