



US00D754531S

(12) **United States Design Patent**
Weldon

(10) **Patent No.:** **US D754,531 S**
(45) **Date of Patent:** **** Apr. 26, 2016**

(54) **ROLLER BEARING**
(71) Applicant: **Weldon Industries, Inc.**, Tampa, FL
(US)
(72) Inventor: **Mark Weldon**, Tampa, FL (US)
(73) Assignee: **Weldon Industries, Inc.**, Tampa, FL
(US)
(**) Term: **14 Years**

D593,913 S * 6/2009 Yeung D12/177
D641,993 S * 7/2011 Scott D6/682
D644,095 S * 8/2011 Underwood D8/396
9,027,898 B1 * 5/2015 Holmboe E04G 25/065
248/354.4

(21) Appl. No.: **29/495,469**

FOREIGN PATENT DOCUMENTS

CN 301148064 * 3/2010
CN 301563822 * 6/2011
CN 302434510 * 5/2013

(22) Filed: **Jul. 1, 2014**

OTHER PUBLICATIONS

(51) **LOC (10) CL.** **08-08**

(52) **U.S. CL.**
USPC **D8/396**

(58) **Field of Classification Search**
USPC D8/394-396, 71-74, 499, 354-355;
D12/20, 42, 47, 51, 245, 106, 114, 420,
D12/159-160, 177, 180, 213, 220, 223
CPC D06F 55/00; A44D 2203/00; A61B
17/0664; A61B 17/04; A61B 17/1265; A43D
79/00; A41B 3/08; A41F 15/02; A62F 2/0063
See application file for complete search history.

Timken® Type E Tapered Roller Bearing Flange Units, website
copyright 2015, online, [http://www.timken.com/en-us/products/
bearings/productlist/HousedUnits/typee/Pages/FlangeUnits.aspx](http://www.timken.com/en-us/products/bearings/productlist/HousedUnits/typee/Pages/FlangeUnits.aspx)
[site visited Nov. 25, 2015 8:56:16 PM].*
ThomasNet®, online roller bearing catalogue copyright 2015, [http://
www.thomasnet.com/catnav/productdetail.html?cid=10004116&
cncat=1825&cnprod=3001192&what=Roller+Bearings&
cov=NA&heading=4221206&searchpos=2](http://www.thomasnet.com/catnav/productdetail.html?cid=10004116&cncat=1825&cnprod=3001192&what=Roller+Bearings&cov=NA&heading=4221206&searchpos=2), [site visited Nov. 25,
2015 8:52:24 PM].*
Locateballbearings.com, Flange Bearings, website copyright 2015,
online, <http://www.locateballbearings.com/FlangeBearings.html>,
[site visited Nov. 25, 2015 8:59:02 PM].*
Tapered roller bearings—Mounted bearings (Mechanical power
transmission products) | ABB, website copyright 2015, online, [http://
new.abb.com/mechanical-power-transmission/mounted-bearings/
tapered-roller-bearings](http://new.abb.com/mechanical-power-transmission/mounted-bearings/tapered-roller-bearings), [site visited Nov. 25, 2015 8:54:48 PM].*

(56) **References Cited**

U.S. PATENT DOCUMENTS

D22,130 S * 1/1893 Barnes D12/47
D30,442 S * 3/1899 Wahlert D8/396
D160,669 S * 10/1950 Smith D8/394
D198,842 S * 8/1964 Kay D12/180
D213,134 S * 1/1969 Merritt et al. D25/68
D228,442 S * 9/1973 Edwards D8/396
3,797,793 A * 3/1974 Moritz E04G 17/16
248/295.11
3,910,656 A * 10/1975 Price F16C 23/086
384/558
D287,387 S * 12/1986 Oliver D21/694
D337,555 S * 7/1993 McNab D12/159
D344,254 S * 2/1994 Zimmerman 180/354
D367,249 S * 2/1996 Ott D12/114
D371,334 S * 7/1996 Hotchkis, Jr. D12/159
D384,482 S * 9/1997 Thole D12/106
D454,777 S * 3/2002 Yoshiguchi D8/383
D460,682 S * 7/2002 Conner D8/354
D525,181 S * 7/2006 Horner D12/180
D567,051 S * 4/2008 Sell D8/71
D589,858 S * 4/2009 Nagase D12/177

* cited by examiner

Primary Examiner — John Windmuller

Assistant Examiner — John R Yeh

(74) *Attorney, Agent, or Firm* — Christopher Paradies;
Paradies Law P.A.

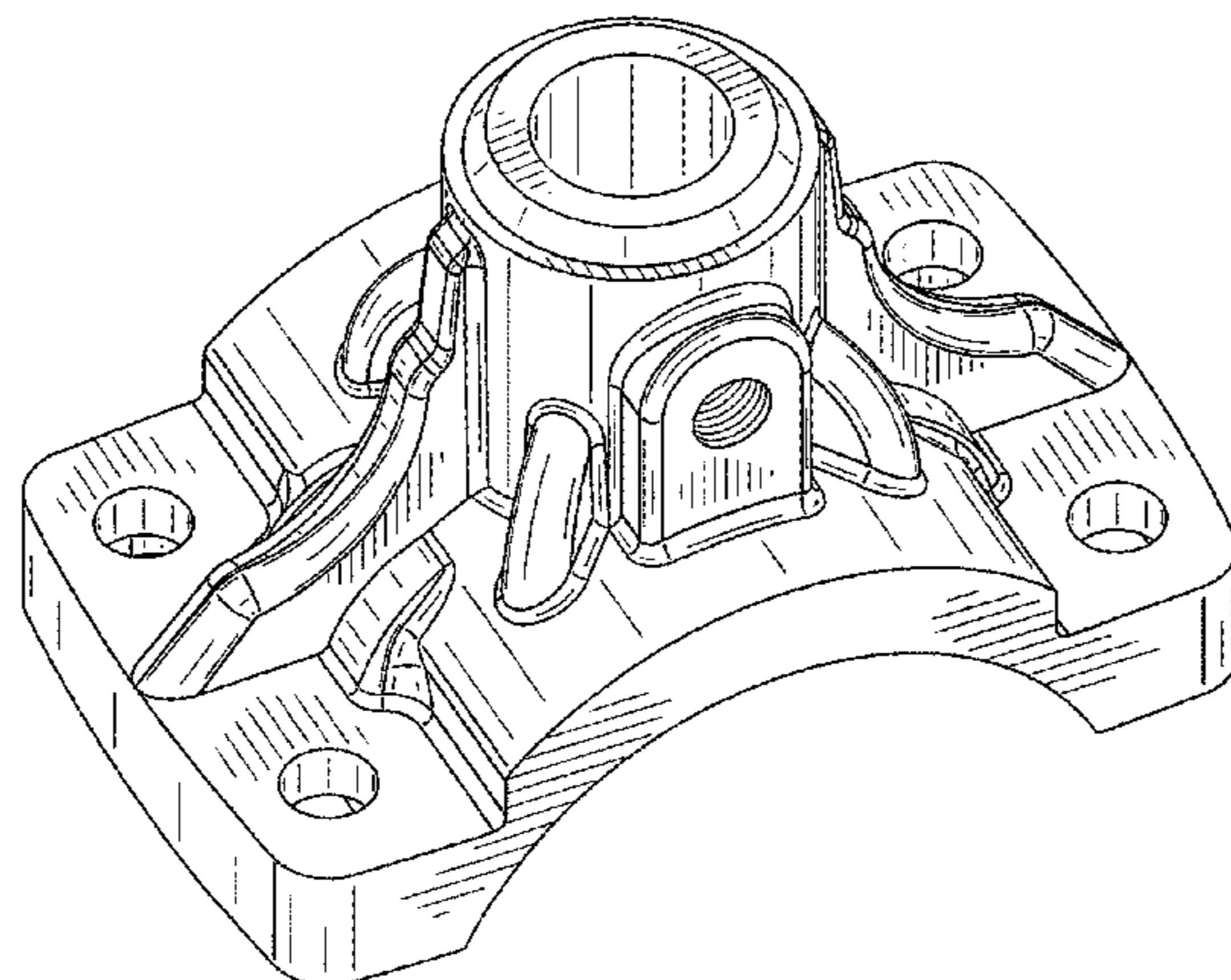
(57) **CLAIM**

The ornamental design for a roller bearing, as shown and
described.

DESCRIPTION

FIG. 1 illustrates a front perspective view of a roller bearing.
FIG. 2 illustrates a rear perspective view of the roller bearing.
FIG. 3 illustrates a front view of the roller bearing.
FIG. 4 illustrates a back view of the roller bearing.
FIG. 5 illustrates a left side view of the roller bearing.
FIG. 6 illustrates a top view of the roller bearing; and,
FIG. 7 illustrates a bottom view of the roller bearing.

1 Claim, 5 Drawing Sheets



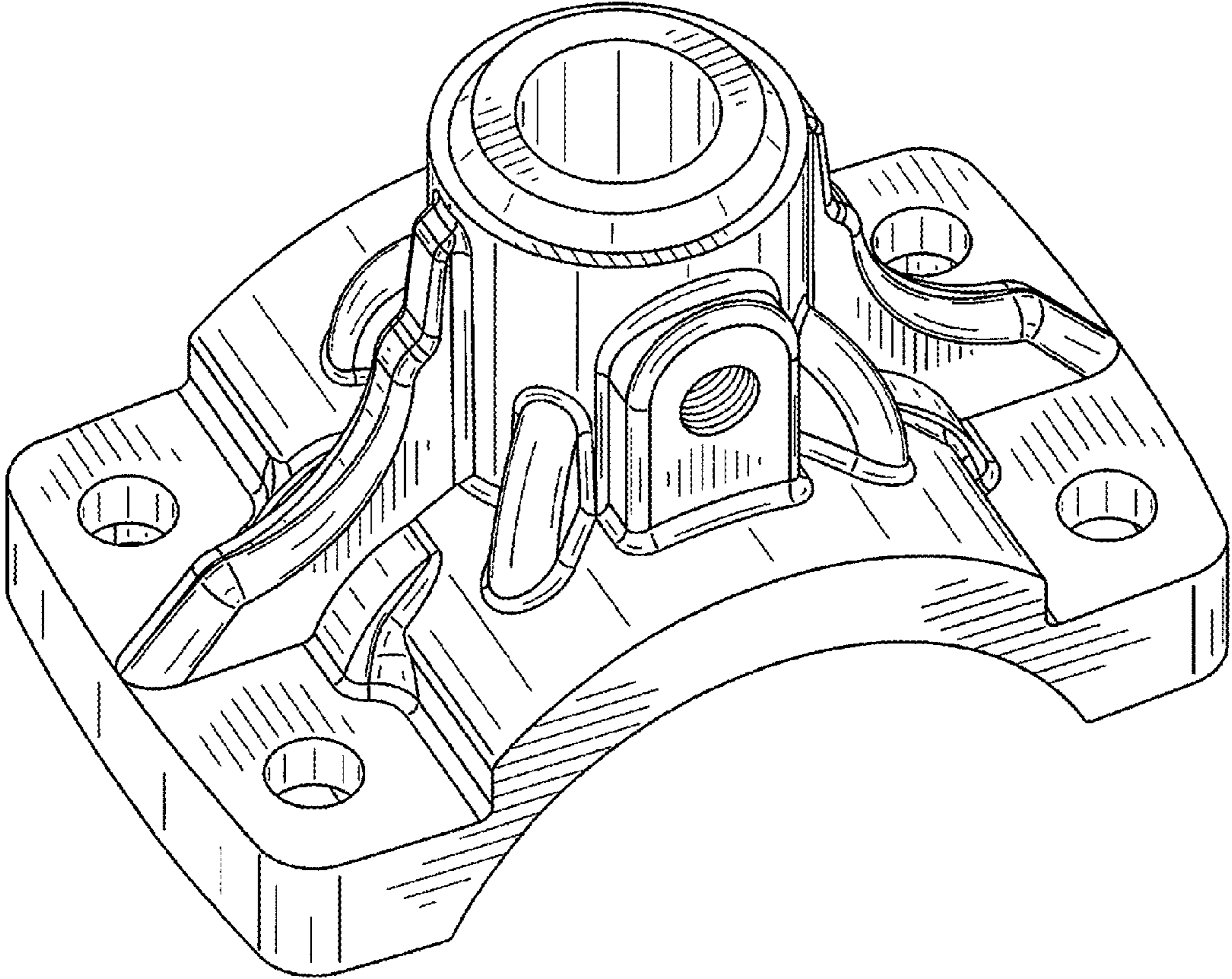


FIG. 1

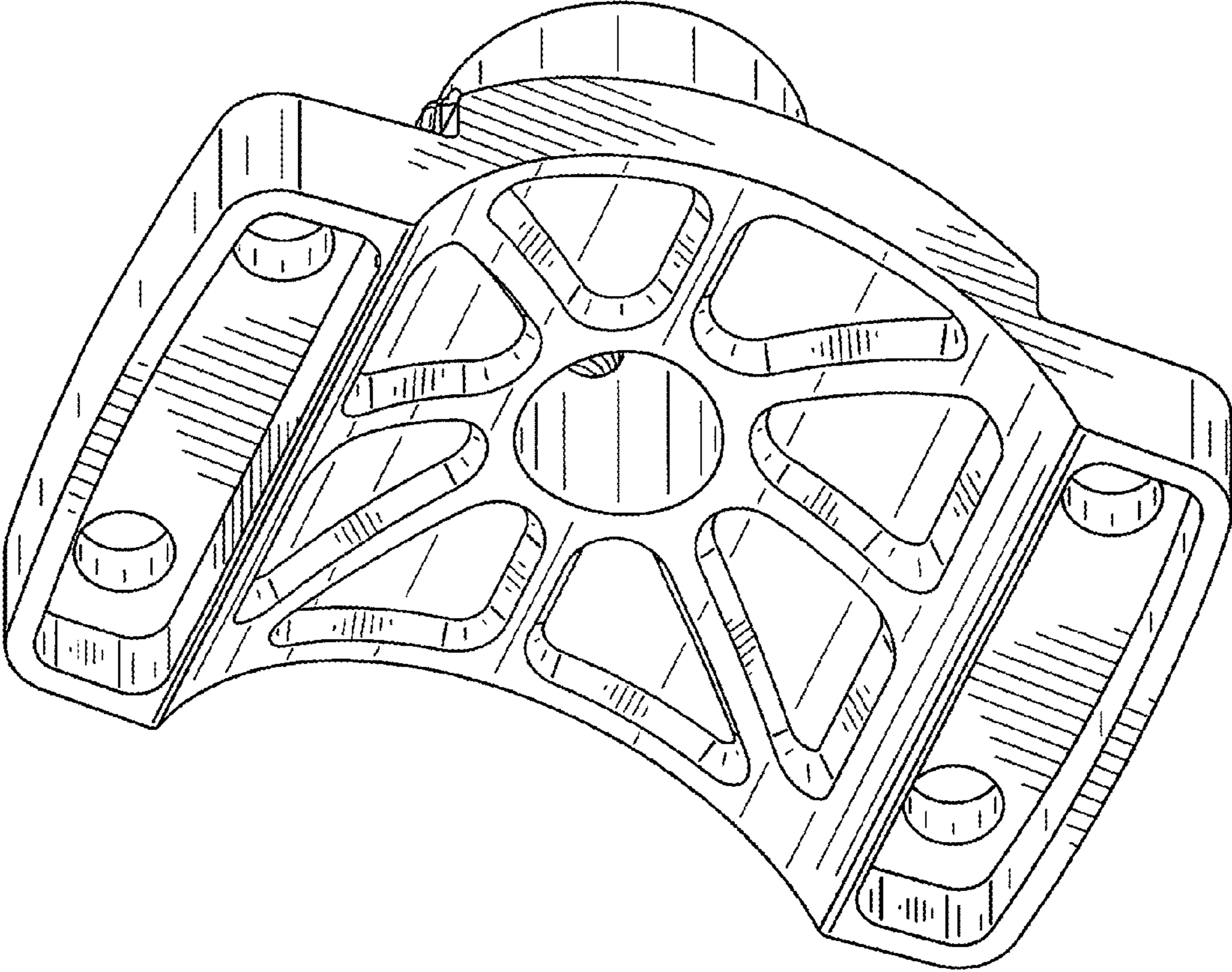


FIG. 2

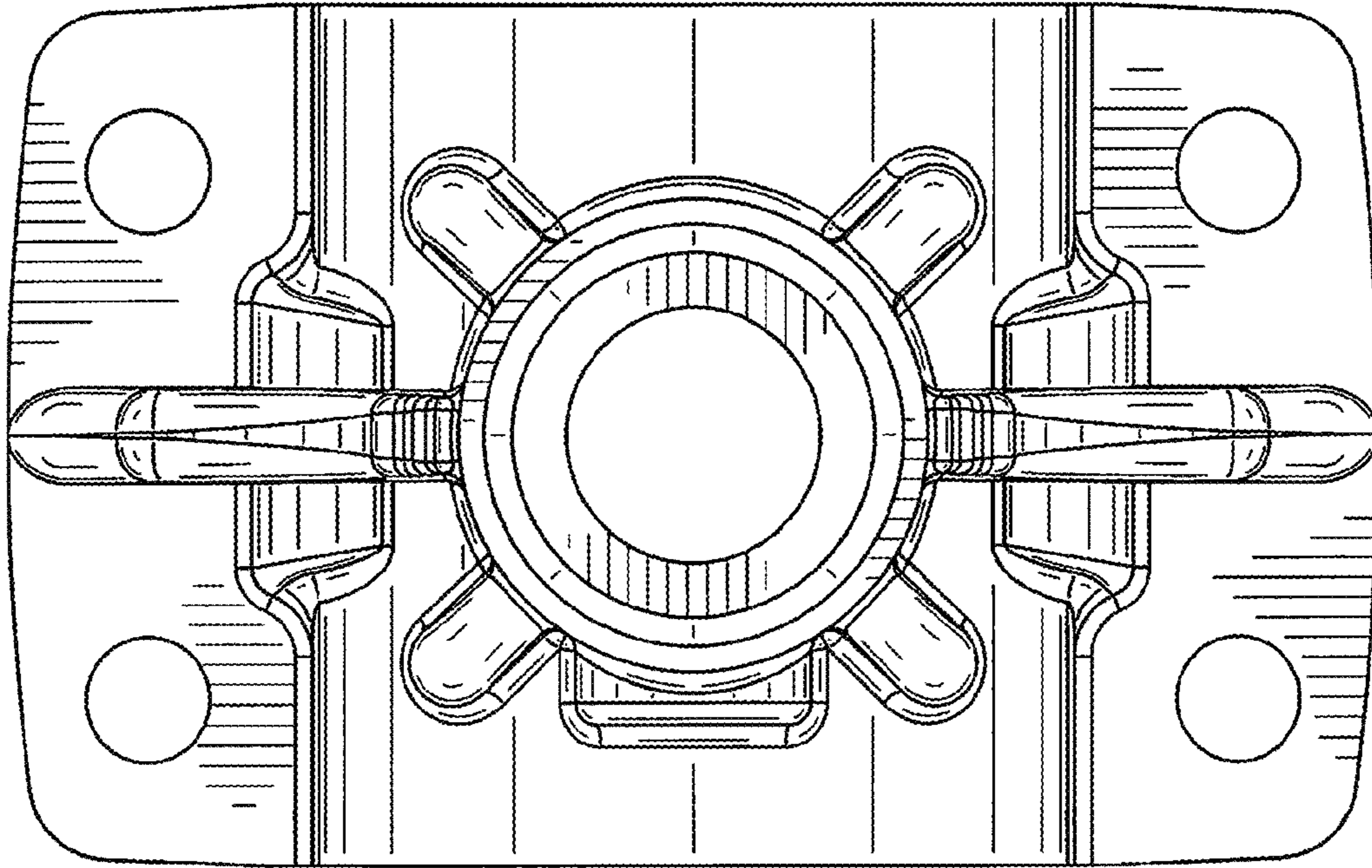


FIG. 3

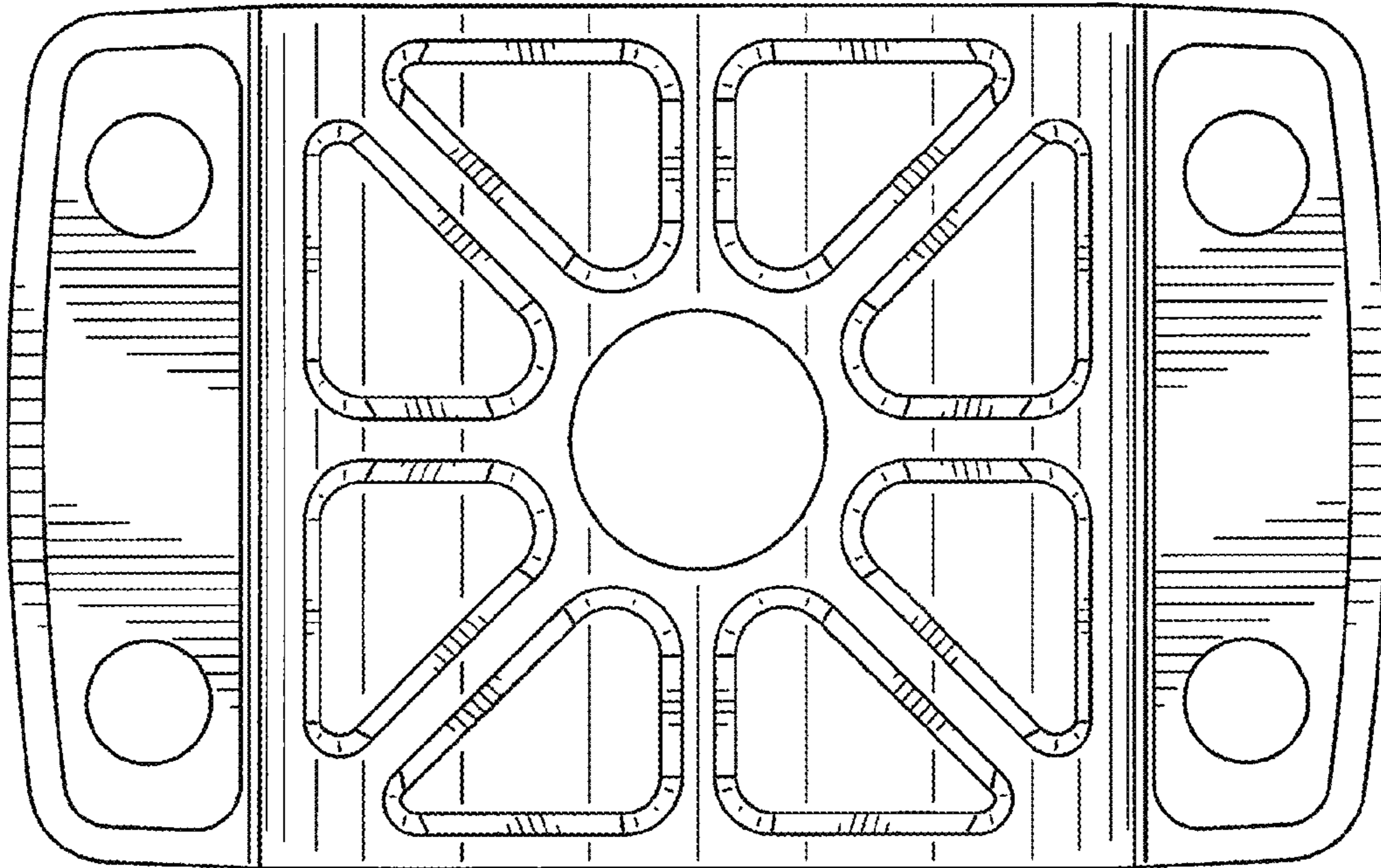


FIG. 4

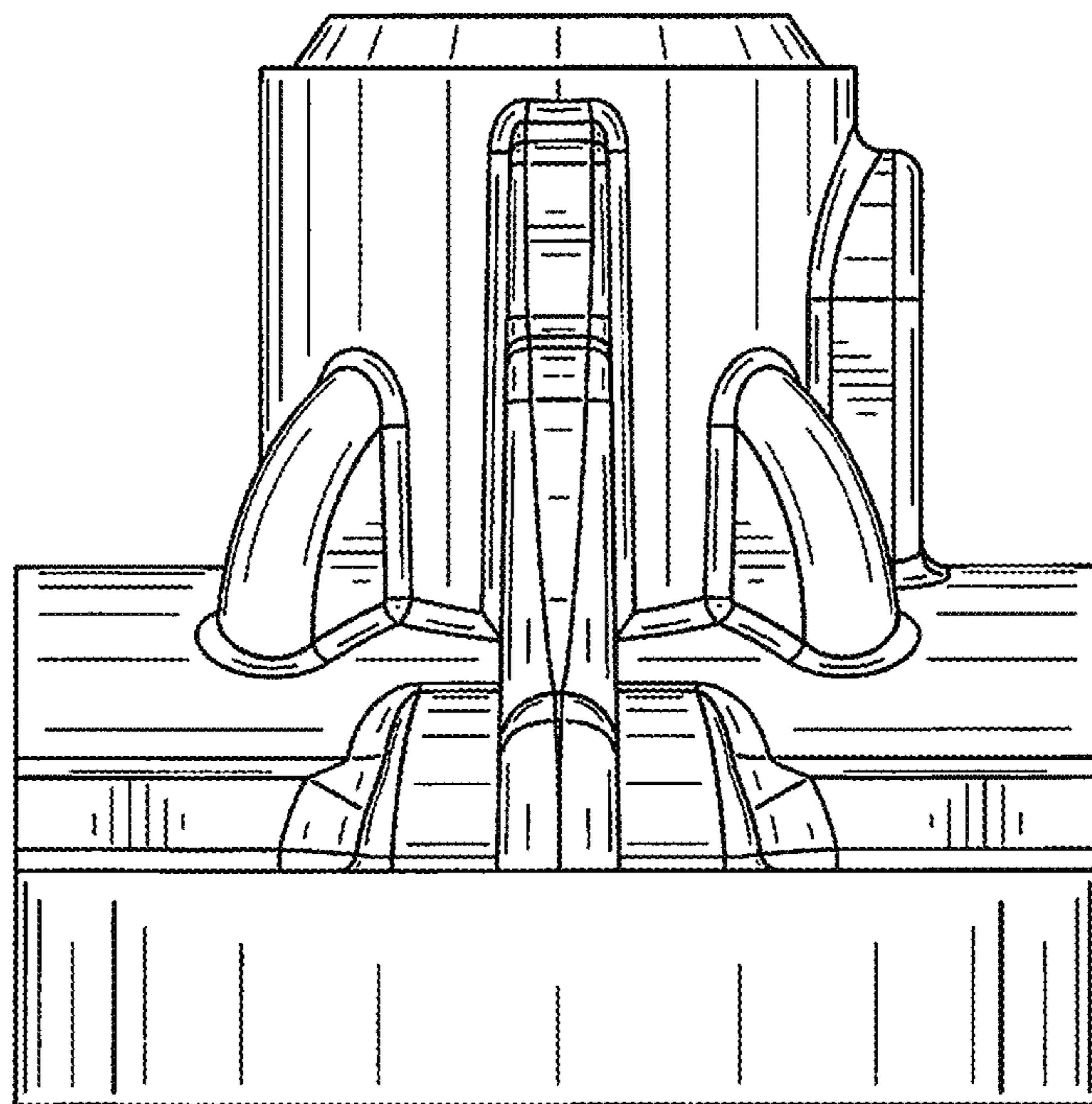


FIG. 5

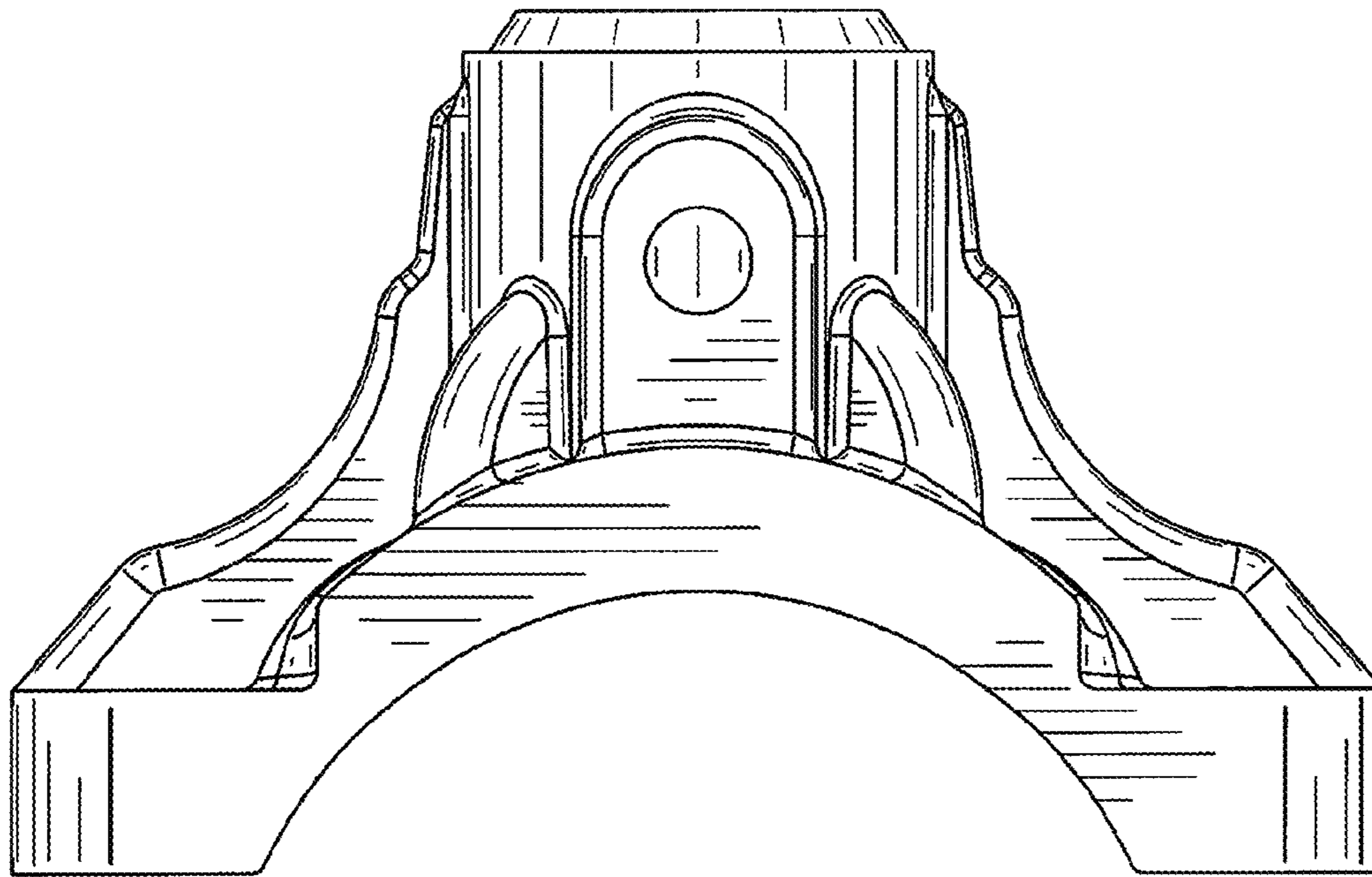


FIG. 6

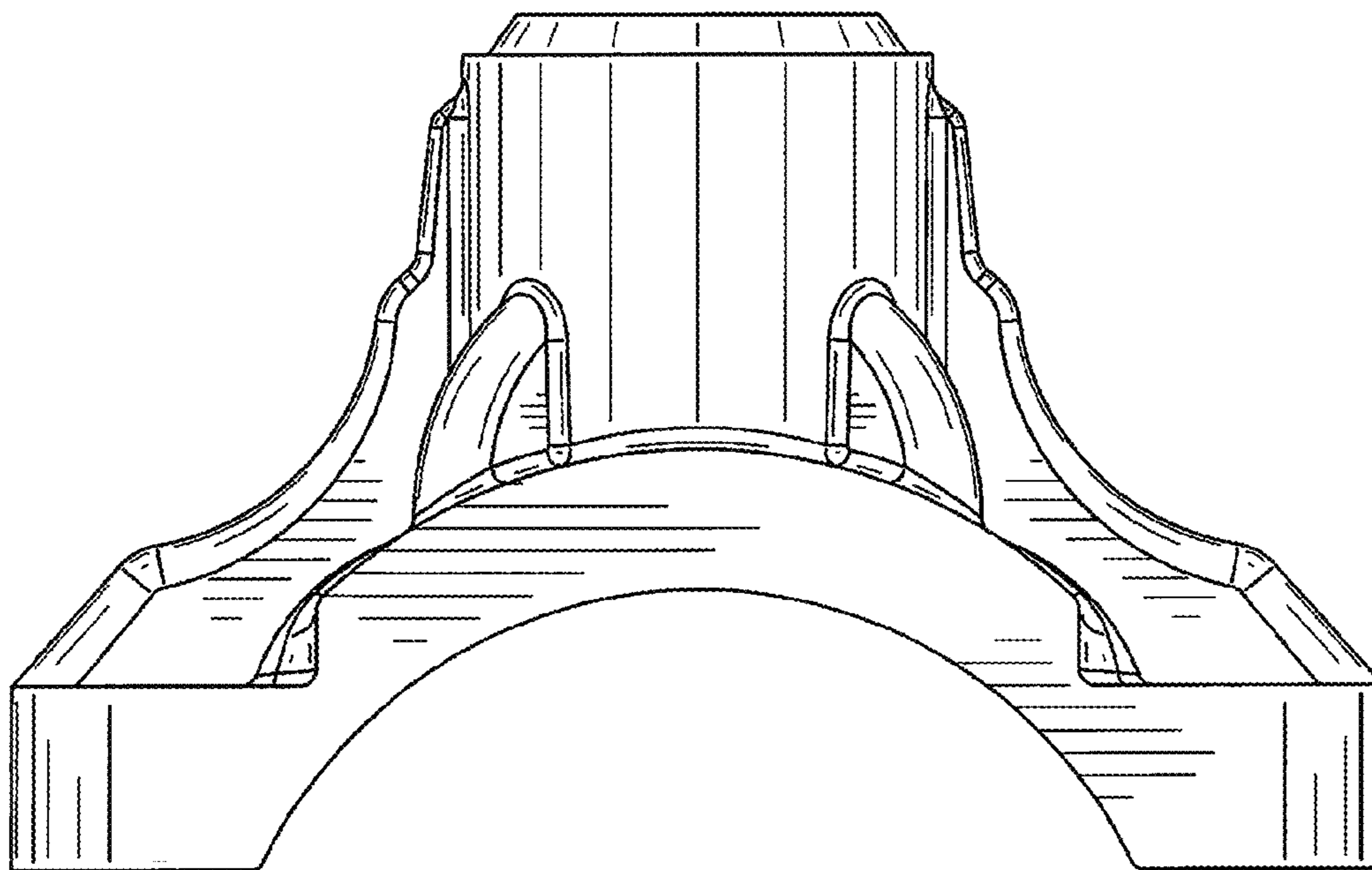


FIG. 7