



US00D754529S

(12) **United States Design Patent**
Kunreuther et al.

(10) **Patent No.:** **US D754,529 S**
(45) **Date of Patent:** **** Apr. 26, 2016**

(54) **MULTI-PLANT POT CONNECTOR**

(71) Applicant: **Aftex Industries**, Franklin Square, NY (US)

(72) Inventors: **Steven J. Kunreuther**, New York, NY (US); **Andrew Franzone, Jr.**, West Islip, NY (US)

(73) Assignee: **AFTEX INDUSTRIES**, Franklin Square, NY (US)

(**) Term: **14 Years**

(21) Appl. No.: **29/506,499**

(22) Filed: **Oct. 16, 2014**

(51) **LOC (10) Cl.** **08-08**

(52) **U.S. Cl.**
USPC **D8/382**

(58) **Field of Classification Search**
USPC D8/1, 3, 14, 33, 71, 72, 349, 354, 373,
D8/382, 394, 395, 398, 499; D6/323, 325,
D6/326, 512, 553, 567

CPC B25J 15/0052; A01G 9/088; A01G 9/027;
A01G 9/028; B65D 67/02; A47G 2007/003;
A47G 7/047; A47G 7/025; A47G 7/044

See application file for complete search history.

(56) **References Cited**

U.S. PATENT DOCUMENTS

912,472 A * 2/1909 Hart A47J 45/10
220/760
1,472,461 A * 10/1923 Comstock A47G 7/047
248/318

(Continued)

Primary Examiner — Sheryl Lane

Assistant Examiner — Ieisha Price

(74) *Attorney, Agent, or Firm* — Epstein Drangel LLP;
Robert L. Epstein

(57) **CLAIM**

The ornamental design for a multi-plant pot connector, substantially as shown and described.

DESCRIPTION

FIG. 1 is a perspective view showing the top and front of our design;

FIG. 2 is a perspective view showing the bottom and front of our design;

FIG. 3 is a front elevation view of our design;

FIG. 4 is a rear elevation view of our design;

FIG. 5 is a left elevation view of our design;

FIG. 6 is a right elevation view of our design;

FIG. 7 is a top elevation view of our design;

FIG. 8 is a bottom elevation view of our design;

FIG. 9 is a front elevation view of our design showing the pot engaging parts folded down;

FIG. 10 is perspective view showing the top and front of our design showing the pot engaging parts folded down;

FIG. 11 is an environmental perspective view showing the top and front of our design with the pot engaging parts folded down;

FIG. 12 is a perspective view showing the top and front of a second embodiment of our design;

FIG. 13 is a perspective view showing the bottom and front of the second embodiment of our design;

FIG. 14 is a front elevation view of the second embodiment of our design;

FIG. 15 is a rear elevation view of the second embodiment of our design;

FIG. 16 is a left elevation view of the second embodiment of our design;

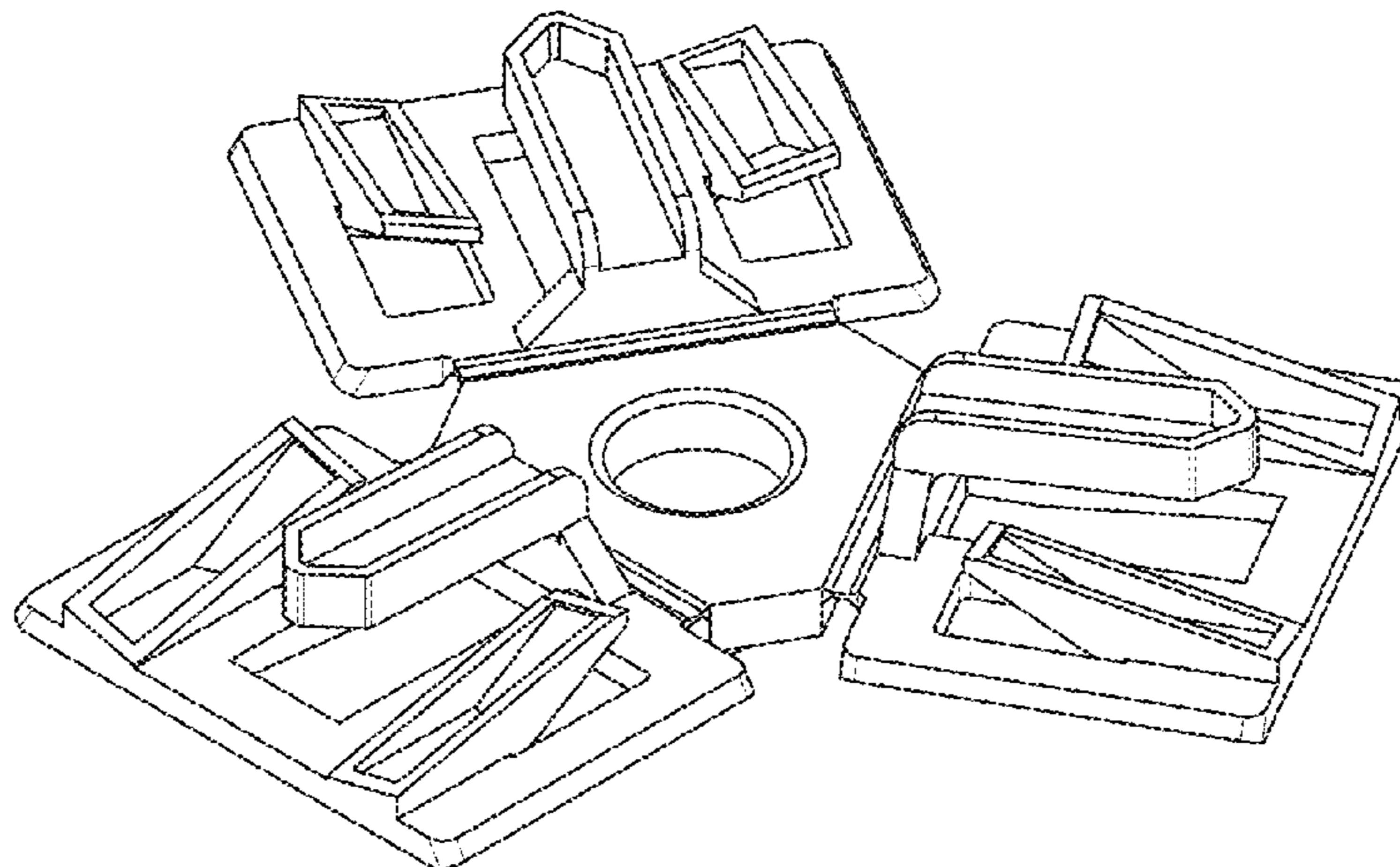
FIG. 17 is a right elevation view of the second embodiment of our design;

FIG. 18 is a top elevation view of the second embodiment of our design; and,

FIG. 19 is a bottom elevation view of the second embodiment of our design.

The broken lines shown in FIG. 11 represent the environment of the claimed design and form no part thereof.

1 Claim, 8 Drawing Sheets



(56)

References Cited

U.S. PATENT DOCUMENTS

D212,959 S *	12/1968	Michaels	47/67	D483,658 S *	12/2003	Huang	D8/382
D222,528 S *	11/1971	Schwartz	D12/177	D530,597 S *	10/2006	Zahav	D20/22
4,483,098 A *	11/1984	Anderson	A01G 9/128	D666,481 S *	9/2012	Wong	D21/502
				47/44	D666,482 S *	9/2012	Wong	D21/502
D281,217 S *	11/1985	Stachler	D8/33	D674,685 S *	1/2013	Dixon	D8/395
D310,624 S *	9/1990	Gradecki	D8/373	9,149,934 B2 *	10/2015	Kunreuther	B25J 15/0052
D314,731 S *	2/1991	Ryason	D11/143	2012/0019017 A1 *	1/2012	Leptien	A01G 9/088
									294/175
					2013/0330126 A1 *	12/2013	Ulle	F16B 7/185
									403/404

* cited by examiner

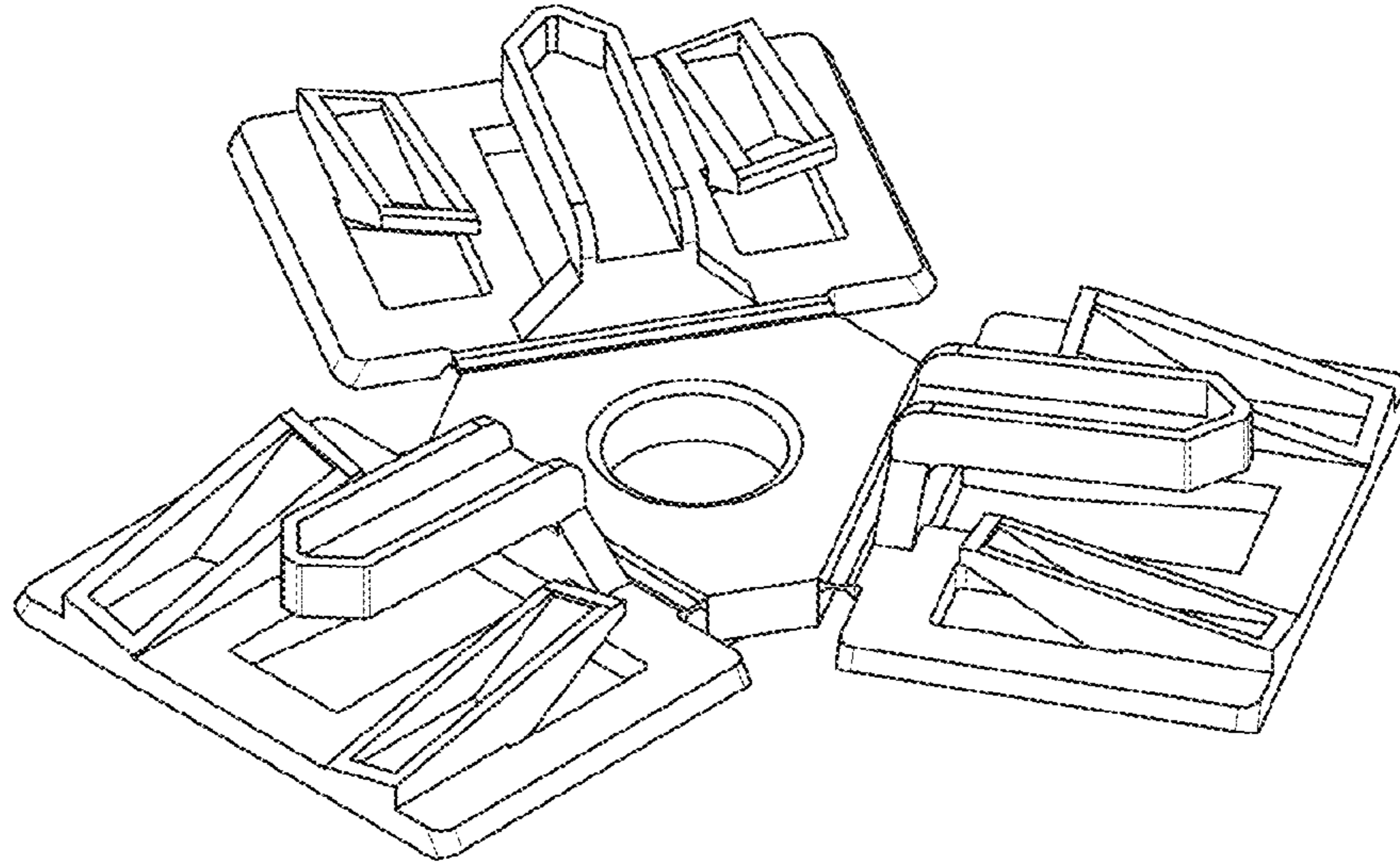


FIG. 1

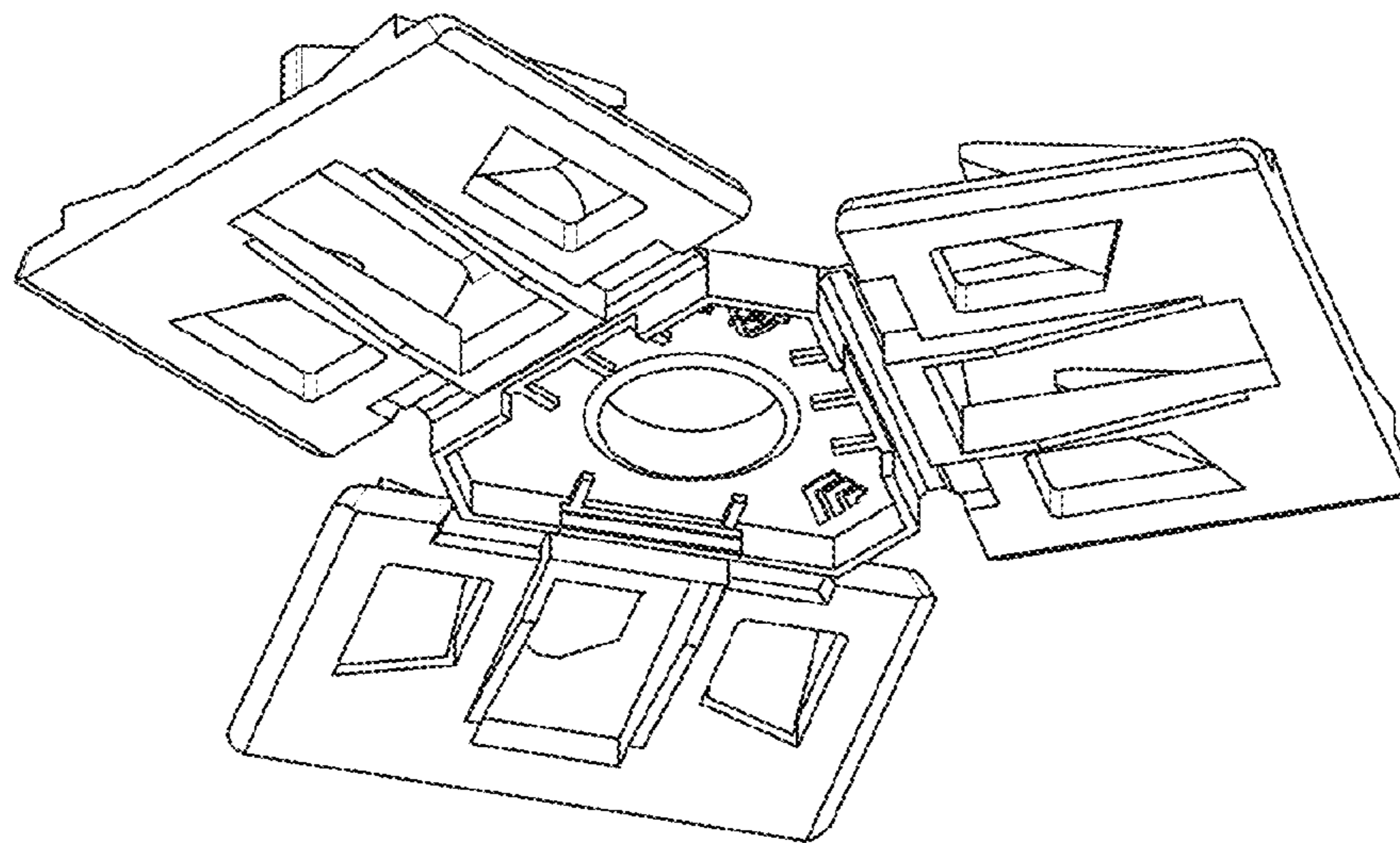


FIG. 2

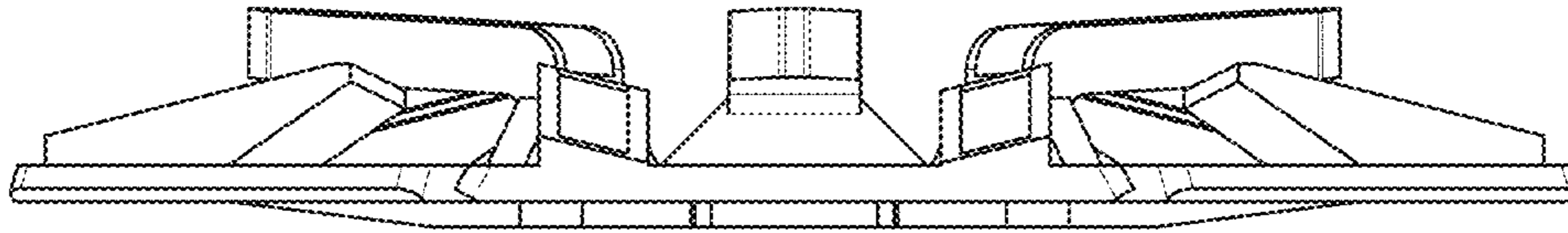


FIG. 3

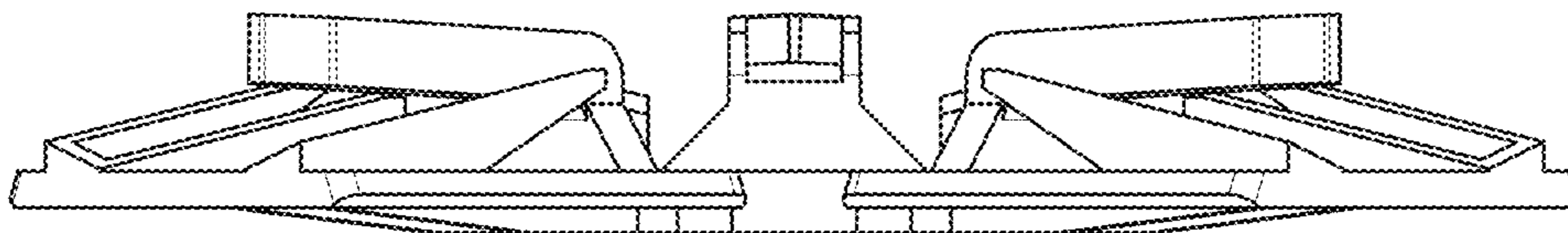


FIG. 4

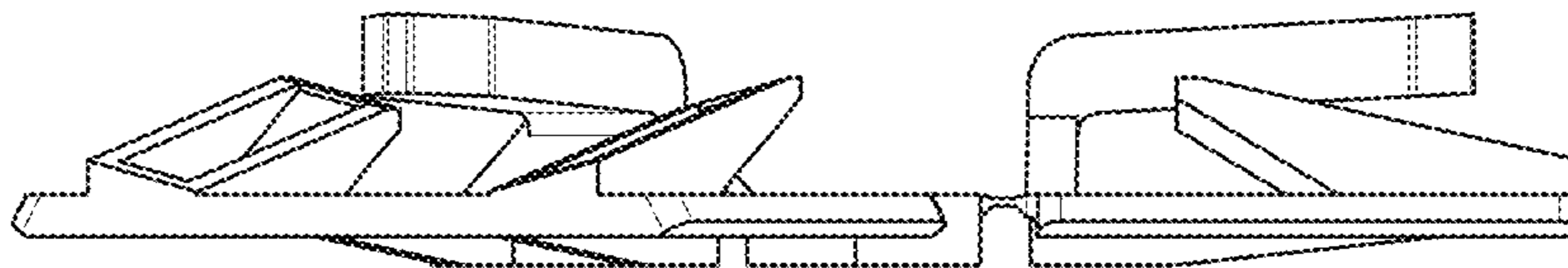


FIG. 5

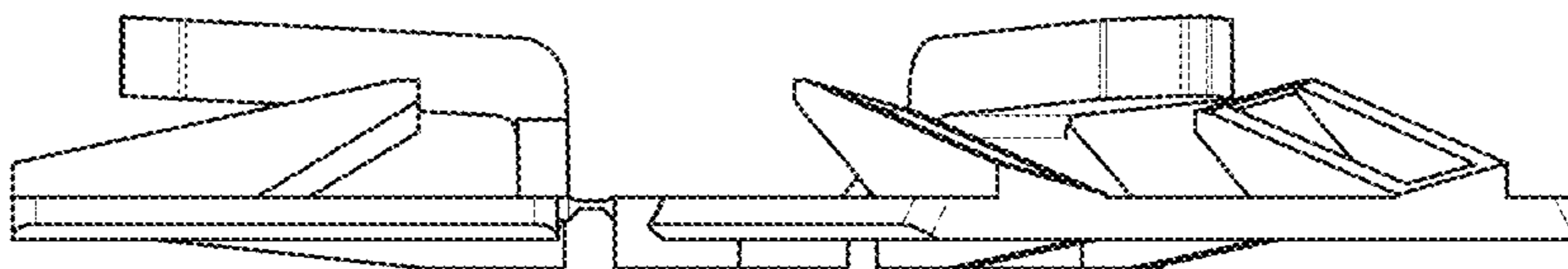


FIG. 6

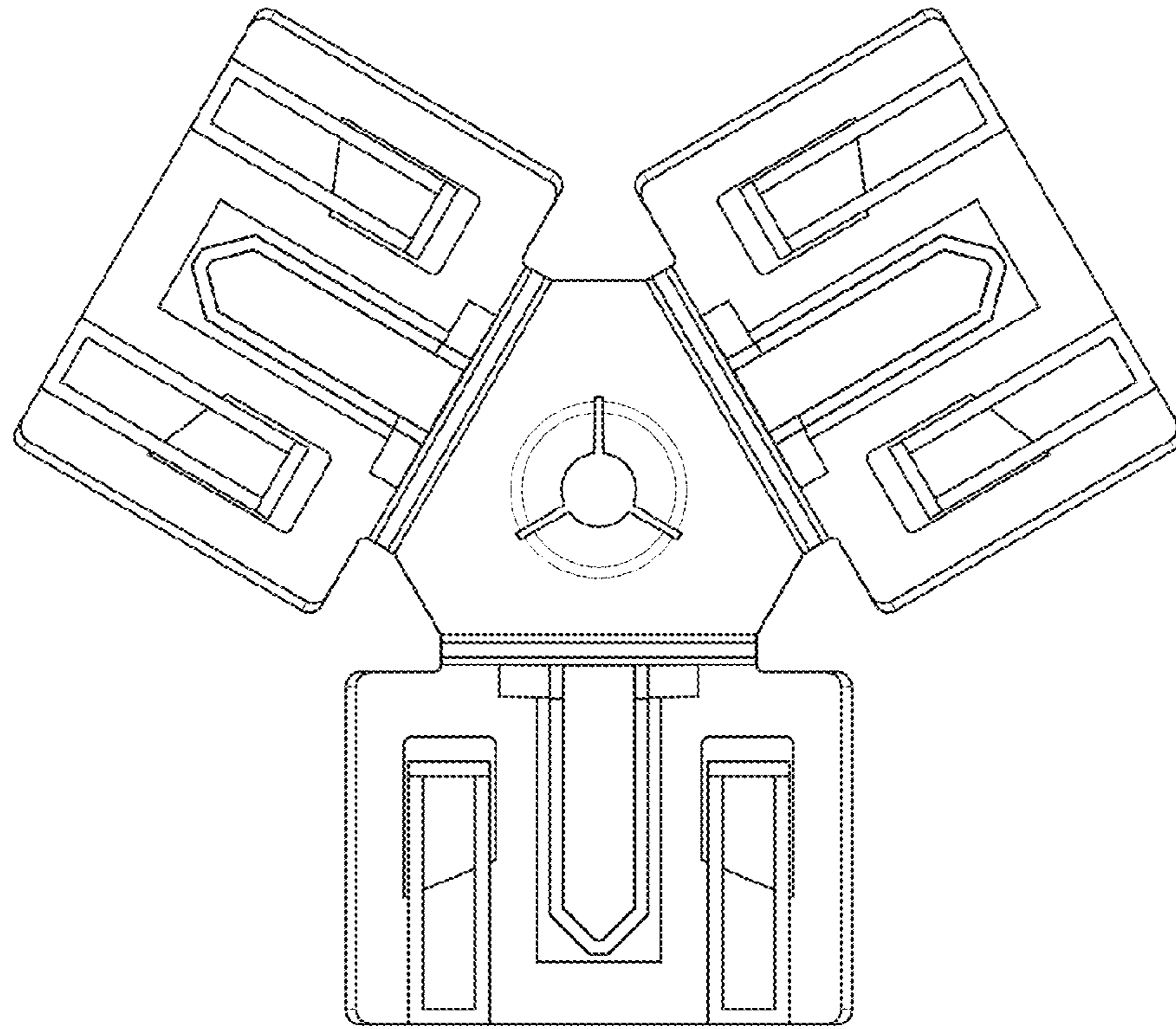


FIG. 7

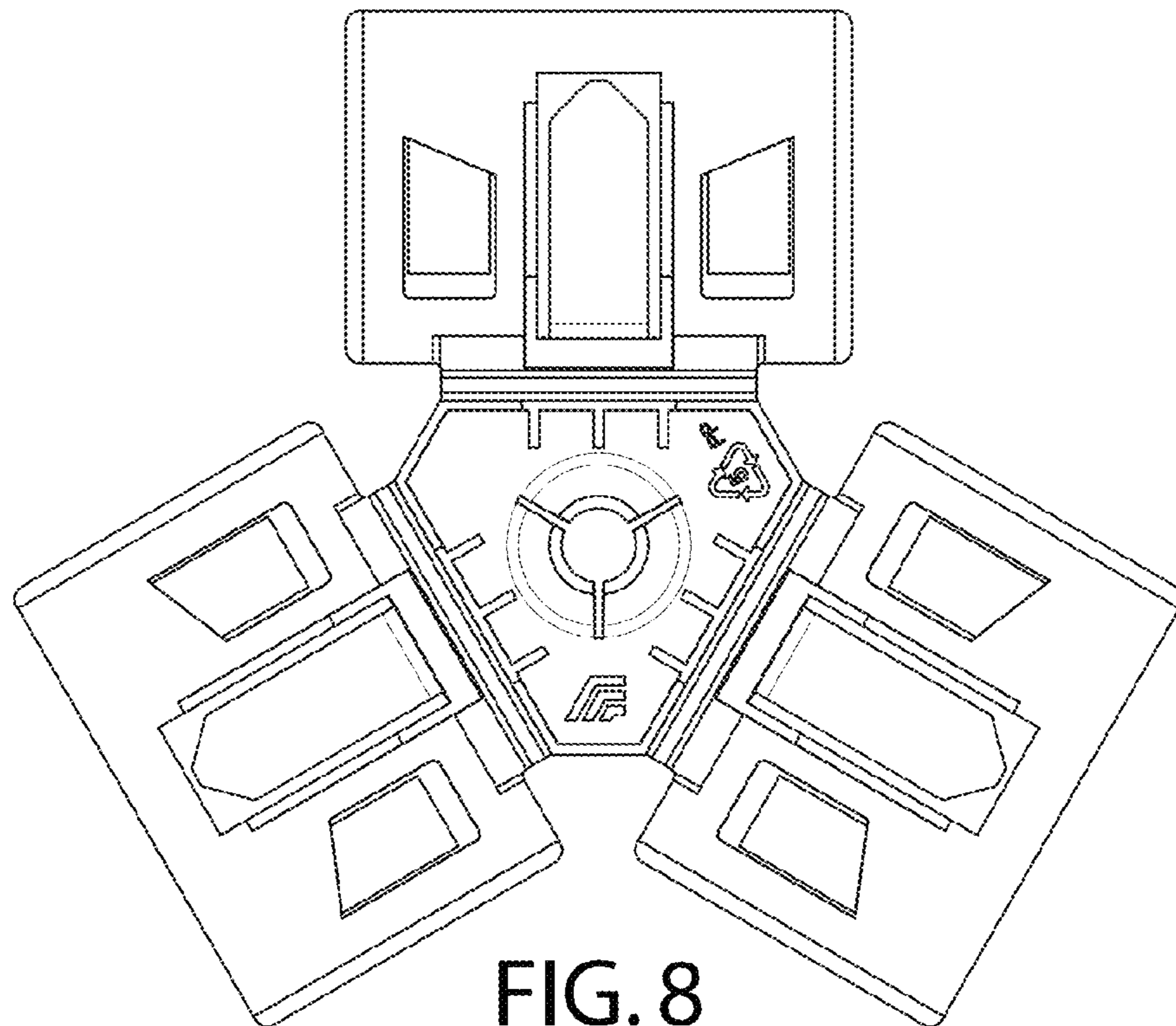


FIG. 8

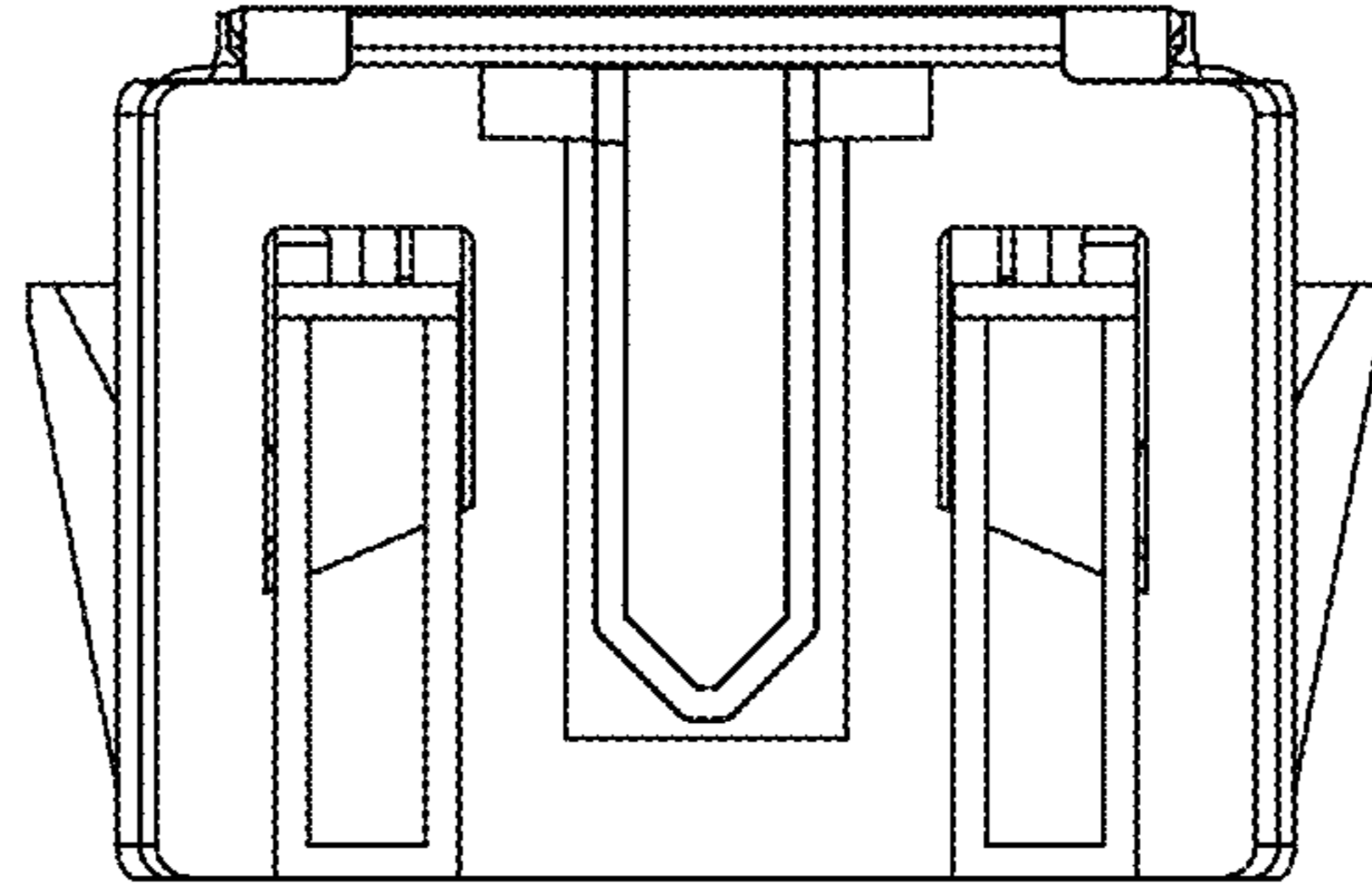


FIG. 9

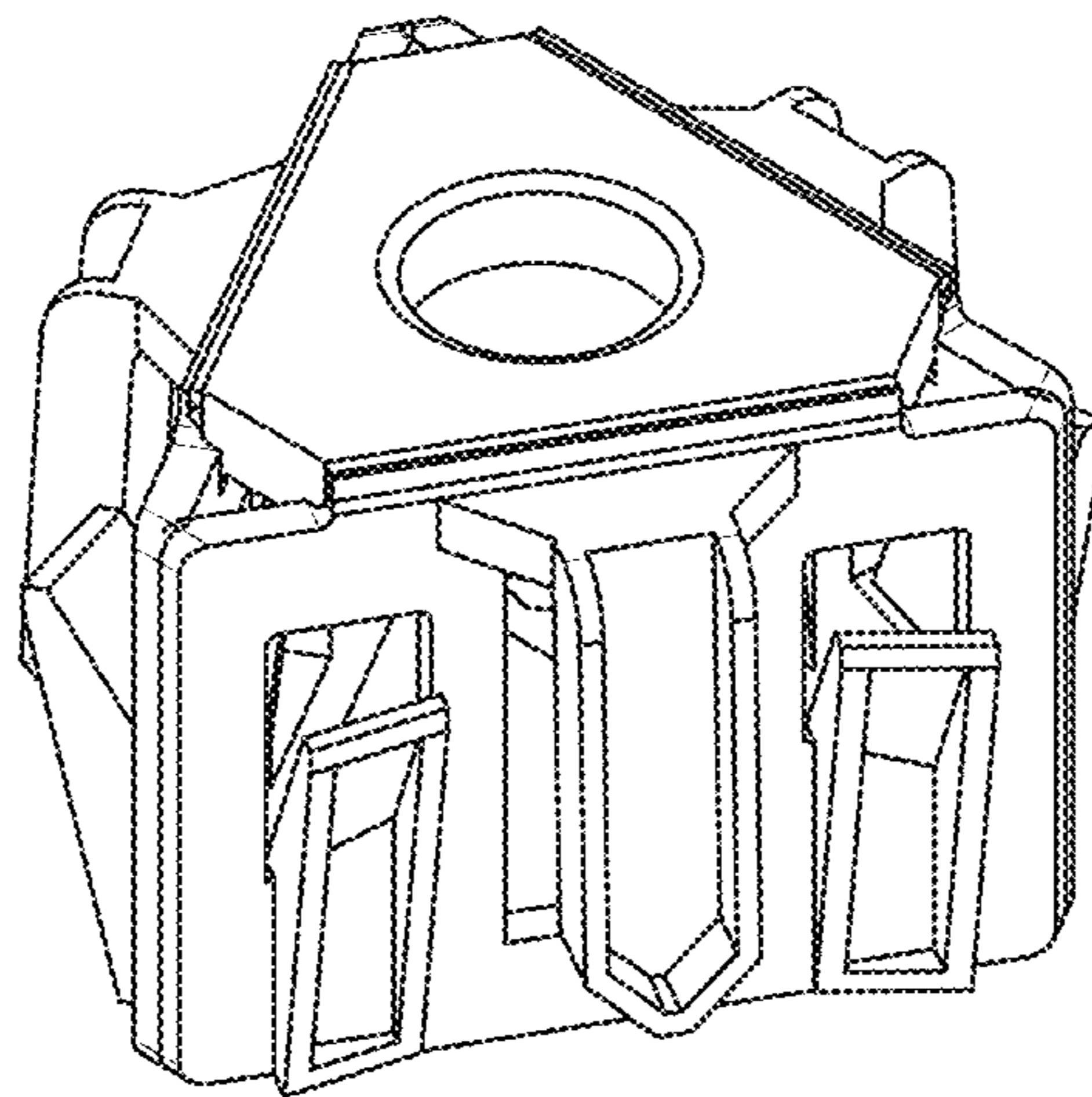


FIG. 10



FIG. 11

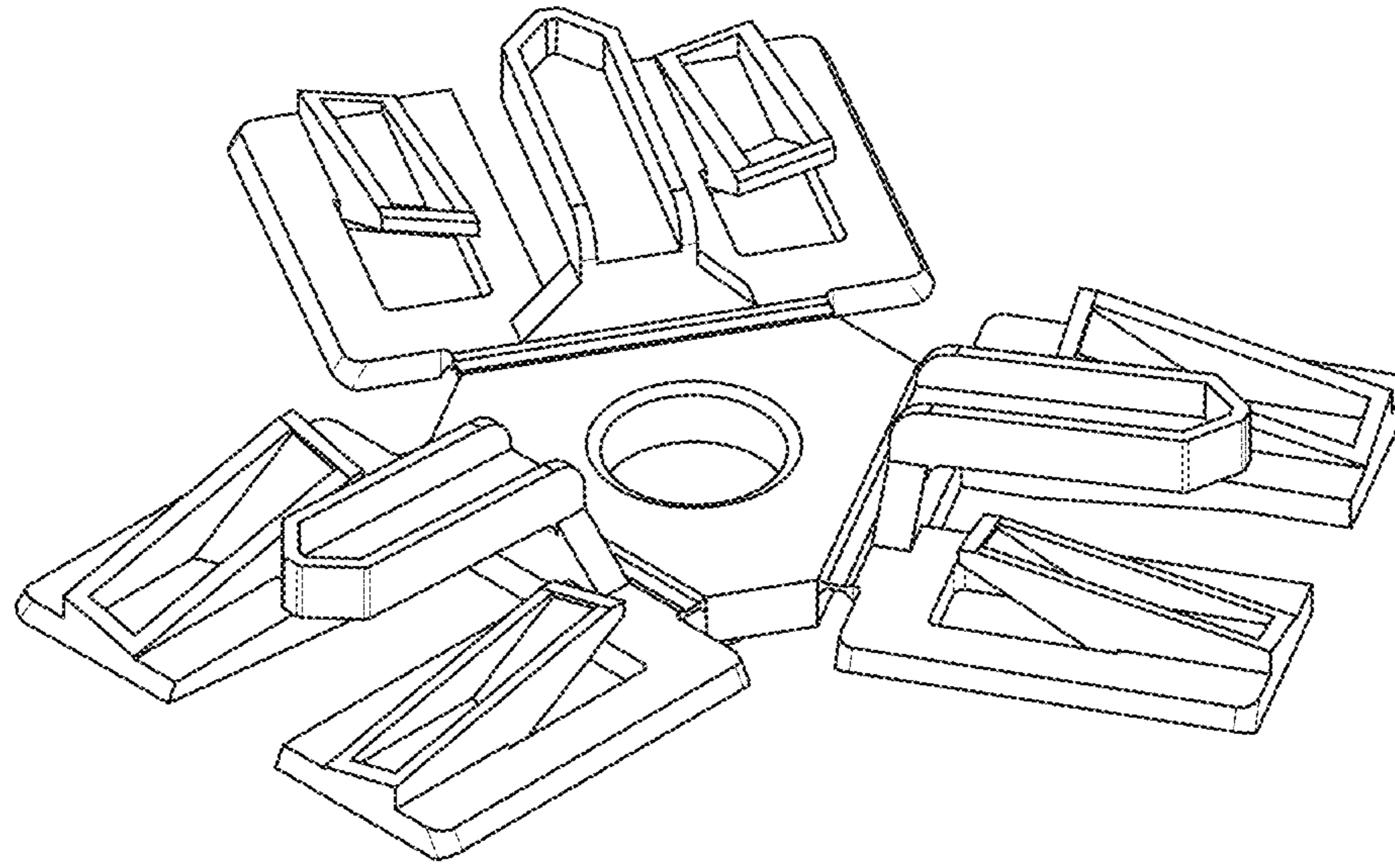


FIG. 12

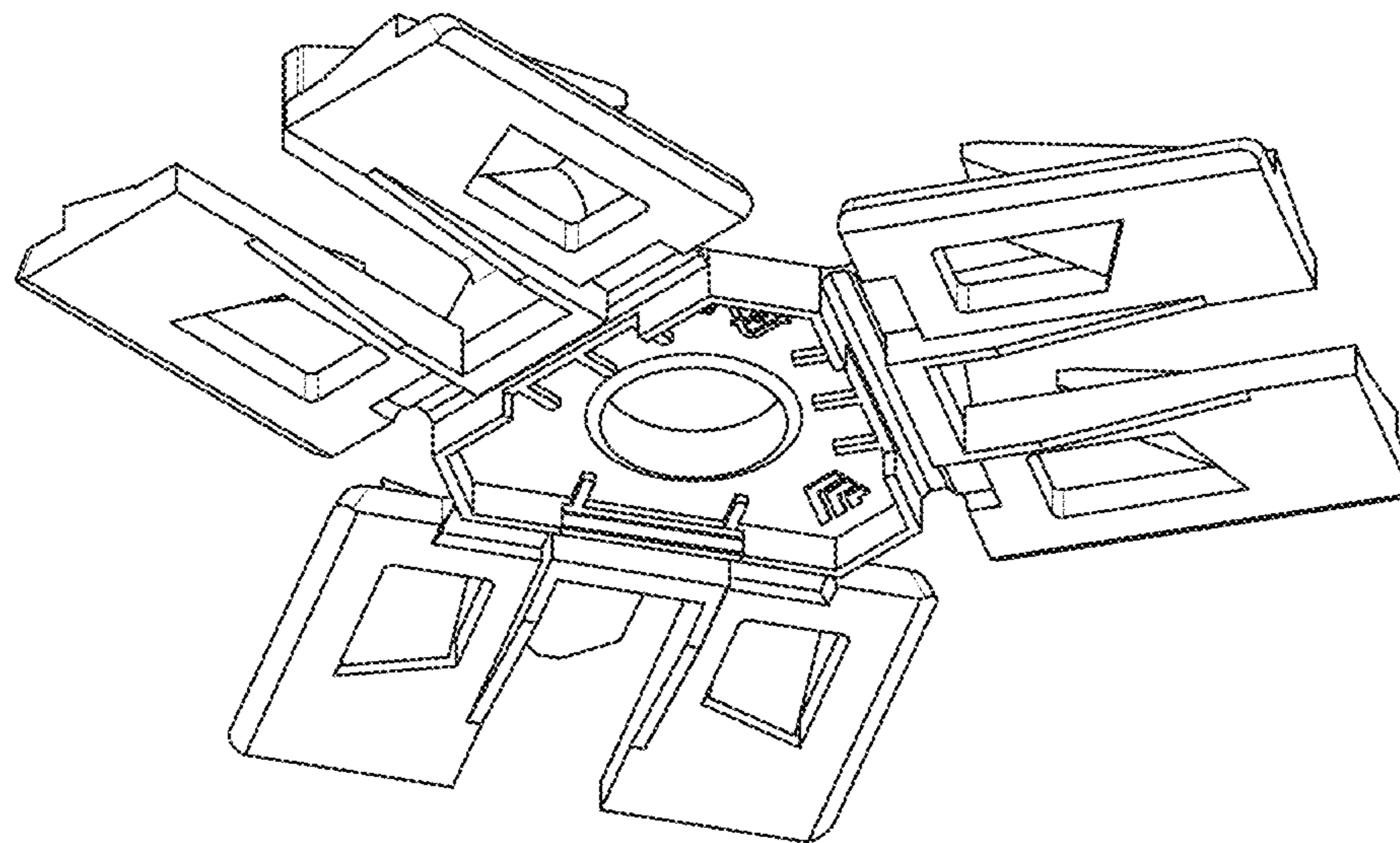


FIG. 13

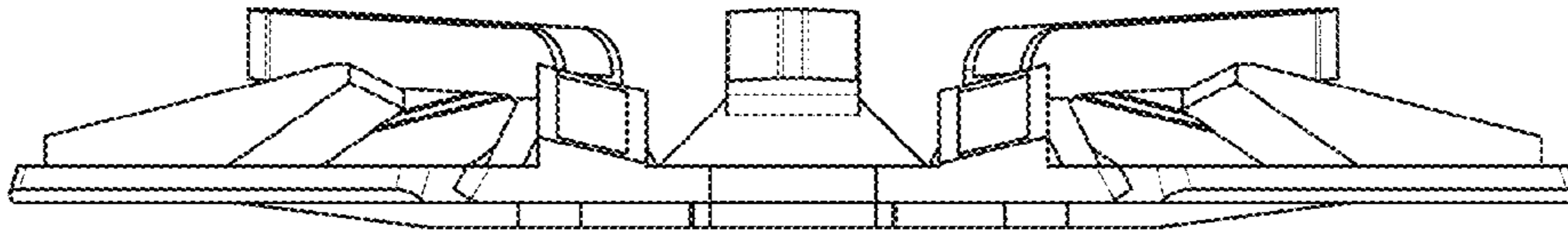


FIG. 14

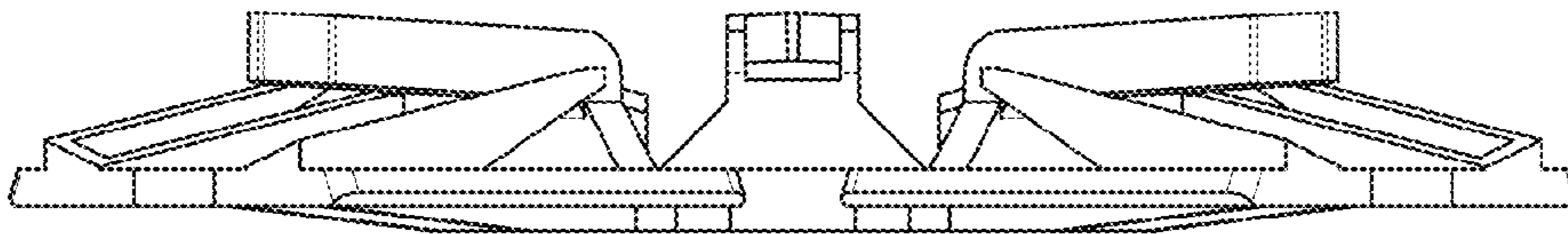


FIG. 15

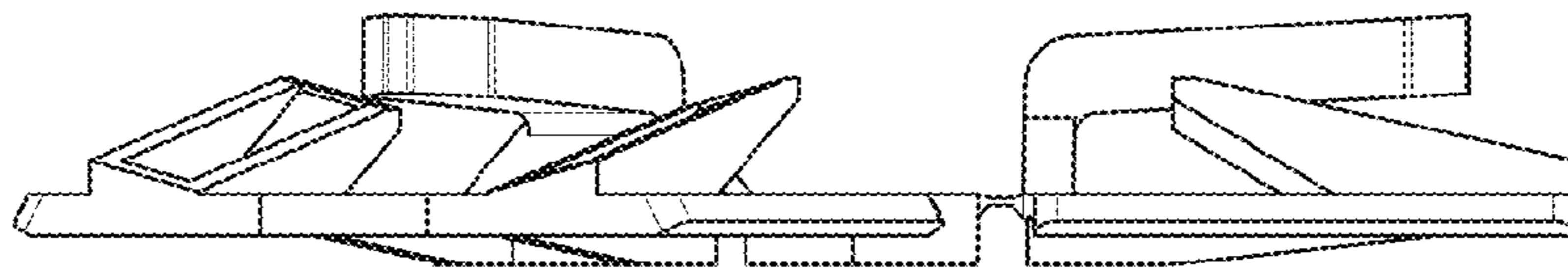


FIG. 16

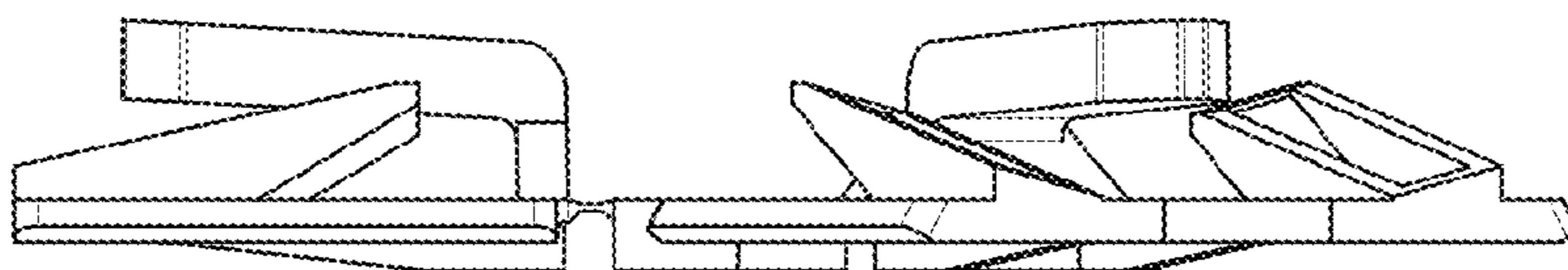


FIG. 17

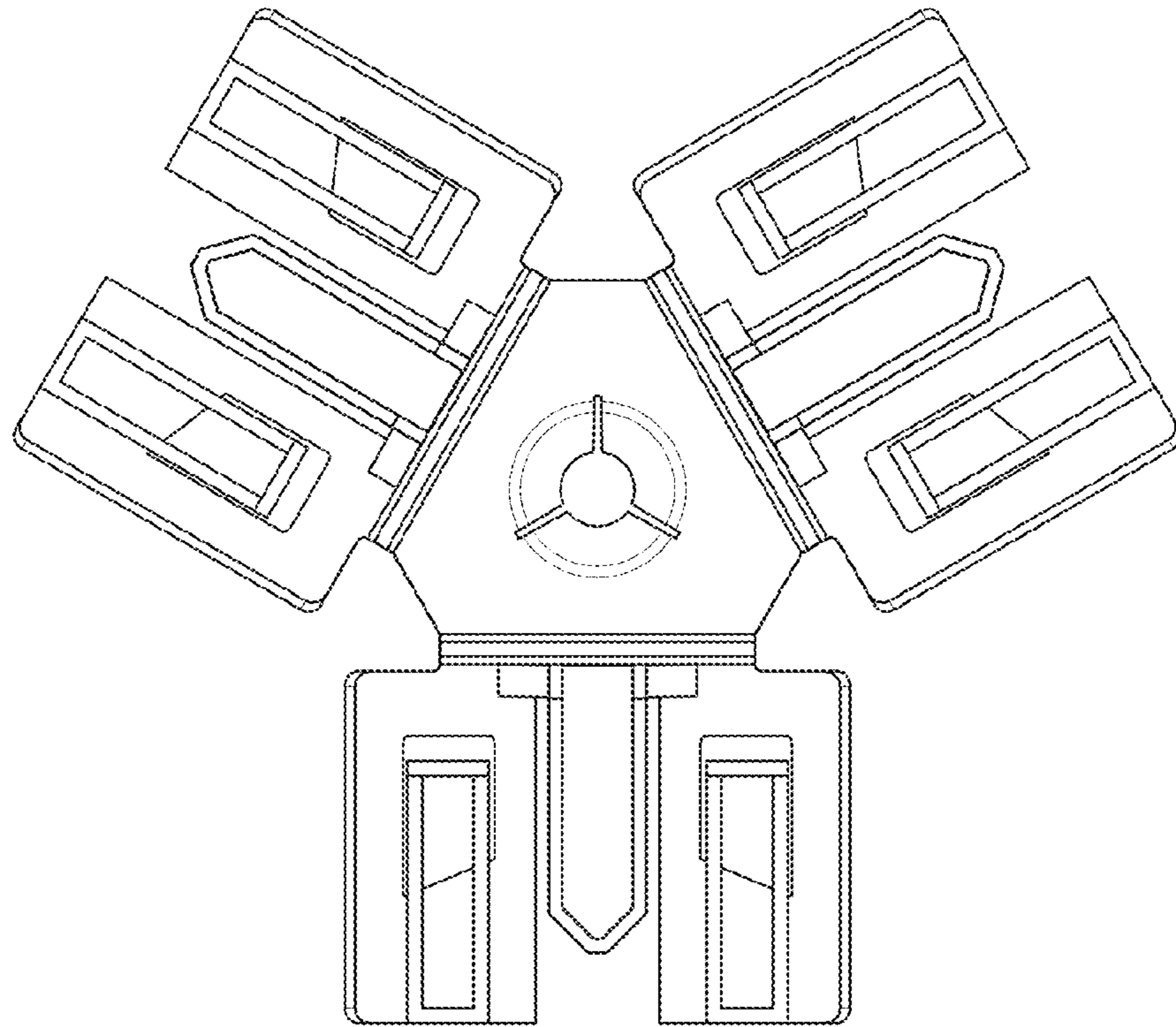


FIG. 18

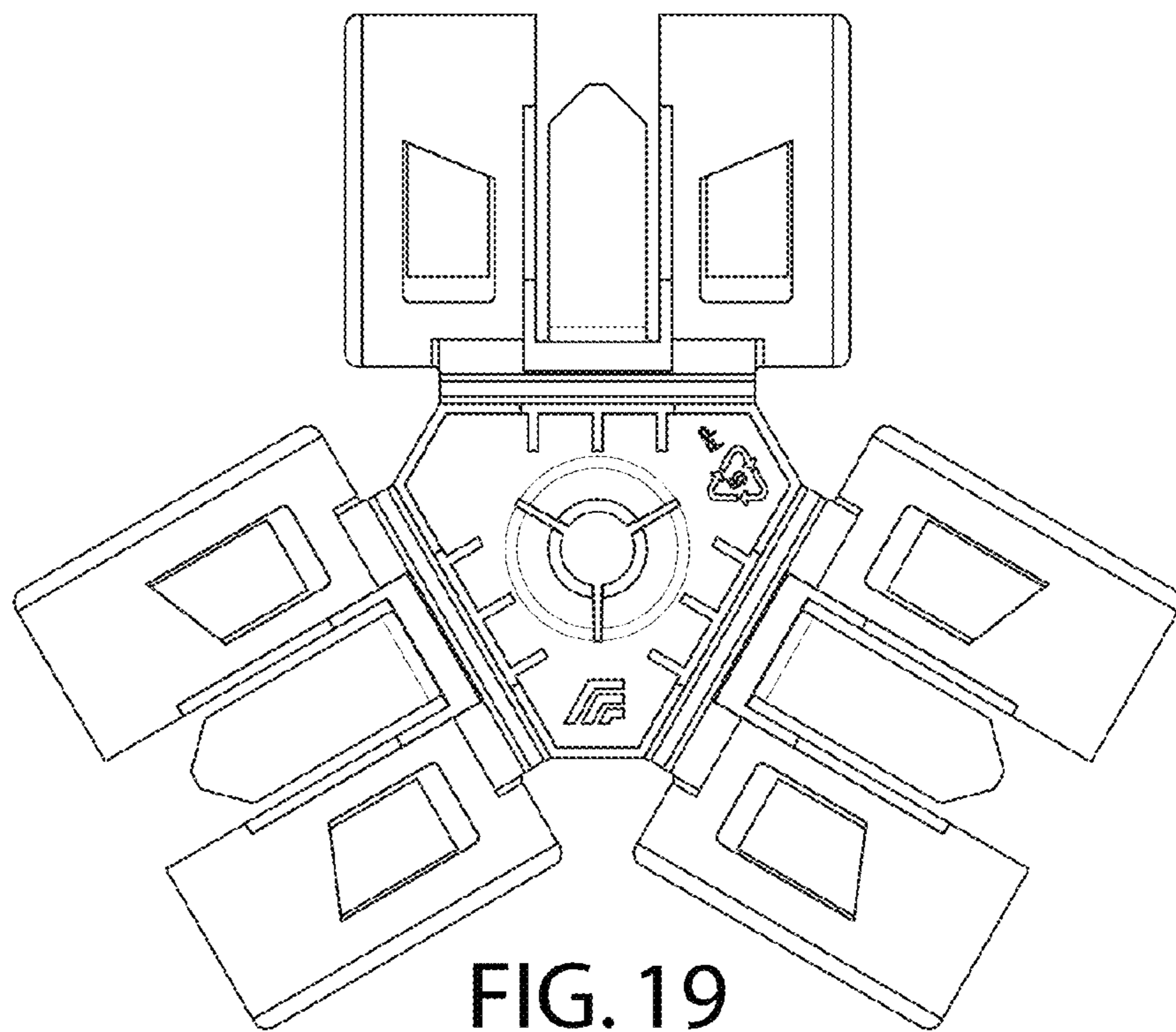


FIG. 19