



US00D754528S

(12) **United States Design Patent**  
**Fujioka**

(10) **Patent No.:** **US D754,528 S**  
(45) **Date of Patent:** **\*\* Apr. 26, 2016**

(54) **INTERLOCKING DIVERTER JOINT**

(71) Applicant: **Robb Fujioka**, Manhattan Beach, CA  
(US)

(72) Inventor: **Robb Fujioka**, Manhattan Beach, CA  
(US)

(73) Assignee: **Mattel, Inc.**, El Segundo, CA (US)

(\*\*) Term: **14 Years**

(21) Appl. No.: **29/476,391**

(22) Filed: **Dec. 12, 2013**

(51) **LOC (10) Cl.** ..... **08-08**

(52) **U.S. Cl.**  
USPC ..... **D8/382**

(58) **Field of Classification Search**  
USPC ..... D8/349, 355, 354, 382, 388, 499, 394;  
D21/578, 579, 595, 658, 519, 520, 521,  
D21/522, 483, 398; D6/334, 363, 374, 375,  
D6/702  
CPC ..... A63H 9/00; A63H 3/36; A63H 3/46;  
A63H 33/048; A63H 33/086; A63H 15/04;  
A63H 33/00; A63H 33/003; F16M 11/10;  
F16M 11/08

See application file for complete search history.

(56) **References Cited**

**U.S. PATENT DOCUMENTS**

D56,407 S *	10/1920	Allen	.....	D8/380
D219,363 S *	12/1970	Mackness	.....	D8/355
D227,342 S *	6/1973	Buckman	.....	D8/355
D253,392 S *	11/1979	Baltare	.....	D8/354
D261,224 S *	10/1981	Sanderson, Jr.	.....	D8/323
D264,294 S *	5/1982	Schulze	.....	D8/382
D276,980 S *	1/1985	Ahlund	.....	D8/400
D277,728 S *	2/1985	Ahlund	.....	D8/400
D336,234 S *	6/1993	Burgin et al.	.....	D8/323
D398,217 S *	9/1998	Richter	.....	D8/349
D401,495 S *	11/1998	Fischer	.....	D8/349
D403,232 S *	12/1998	Fischer	.....	D8/349
D411,668 S *	6/1999	Settmayer et al.	.....	D32/25

D427,895 S *	7/2000	Morton	.....	D8/382
D608,632 S *	1/2010	Lynch	.....	D8/402
D658,039 S *	4/2012	Ghatikar et al.	.....	D8/354
D658,040 S *	4/2012	Ghatikar et al.	.....	D8/354
D691,461 S *	10/2013	Waugh et al.	.....	D8/354
8,573,554 B2 *	11/2013	Jines et al.	.....	248/441.1
D719,015 S *	12/2014	Hengler	.....	D8/402
D721,409 S *	1/2015	Fujioka et al.	.....	D21/579

\* cited by examiner

*Primary Examiner* — Sheryl Lane

*Assistant Examiner* — Ieisha Price

(74) *Attorney, Agent, or Firm* — Steptoe & Johnson LLP

(57) **CLAIM**

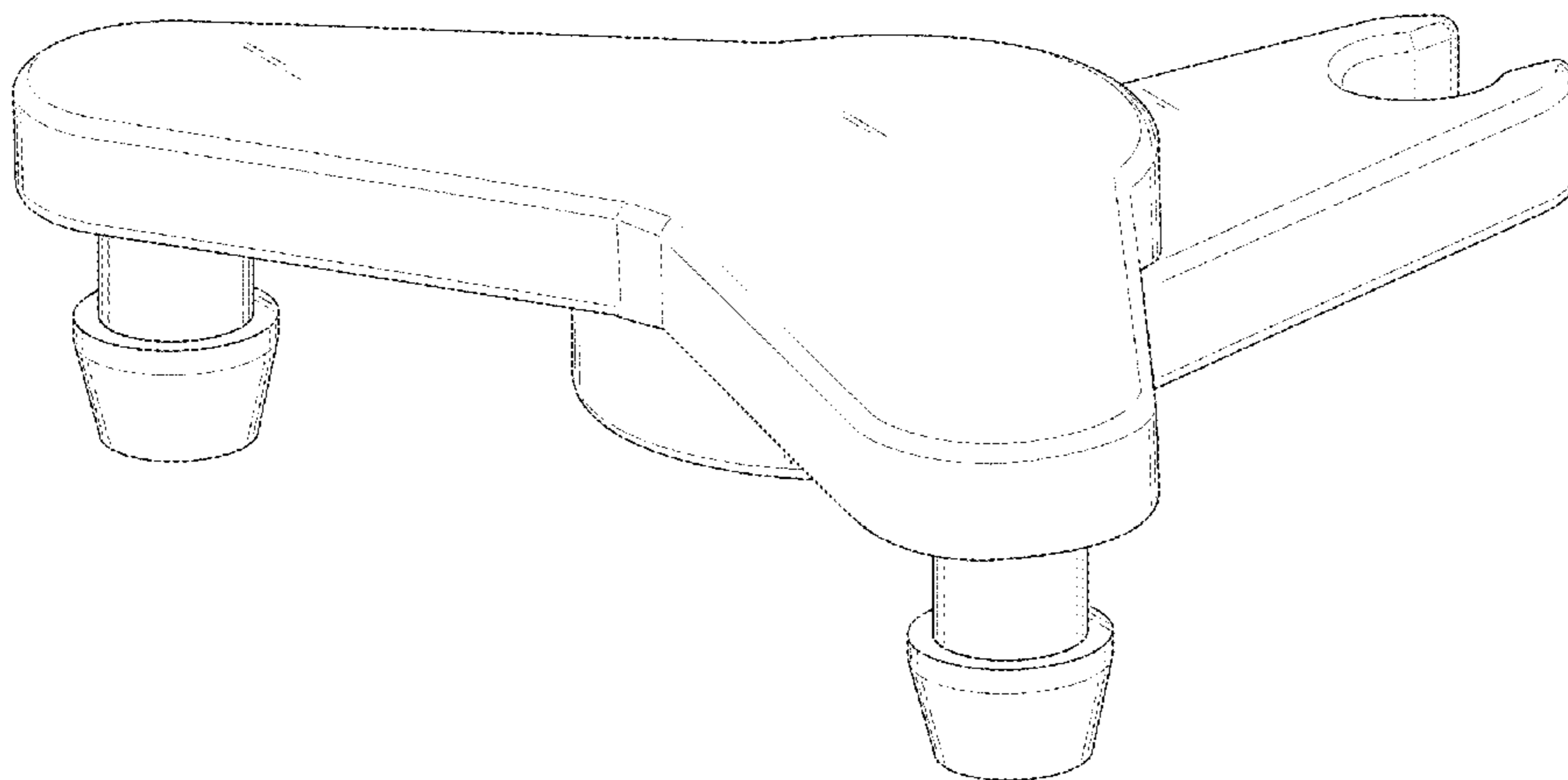
The ornamental design for an interlocking diverter joint, substantially as shown and described.

**DESCRIPTION**

FIG. 1 is a top perspective view of an interlocking diverter joint showing a new design;  
 FIG. 2 is a front elevation view of the interlocking diverter joint shown in FIG. 1;  
 FIG. 3 is a back elevation view of the interlocking diverter joint shown in FIG. 1;  
 FIG. 4 is a side elevation view of the interlocking diverter joint shown in FIG. 1;  
 FIG. 5 is a top elevation view of the interlocking diverter joint shown in FIG. 1 in a first position;  
 FIG. 6 is a top elevation view of the interlocking diverter joint shown in FIG. 1 in a second position;  
 FIG. 7 is a bottom elevation view of the interlocking diverter joint shown in FIG. 1 in a first position;  
 FIG. 8 is a bottom elevation view of the interlocking diverter joint shown in FIG. 1 in second position; and,  
 FIG. 9 is a top perspective view of the interlocking diverter joint shown in FIG. 1.

The broken lines shown in FIGS. 7 and 8 illustrate portions of the interlocking diverter joint and form no part of the claimed design. The broken lines shown in FIG. 9 represent the environment of the claimed design and form no part thereof.

**1 Claim, 5 Drawing Sheets**



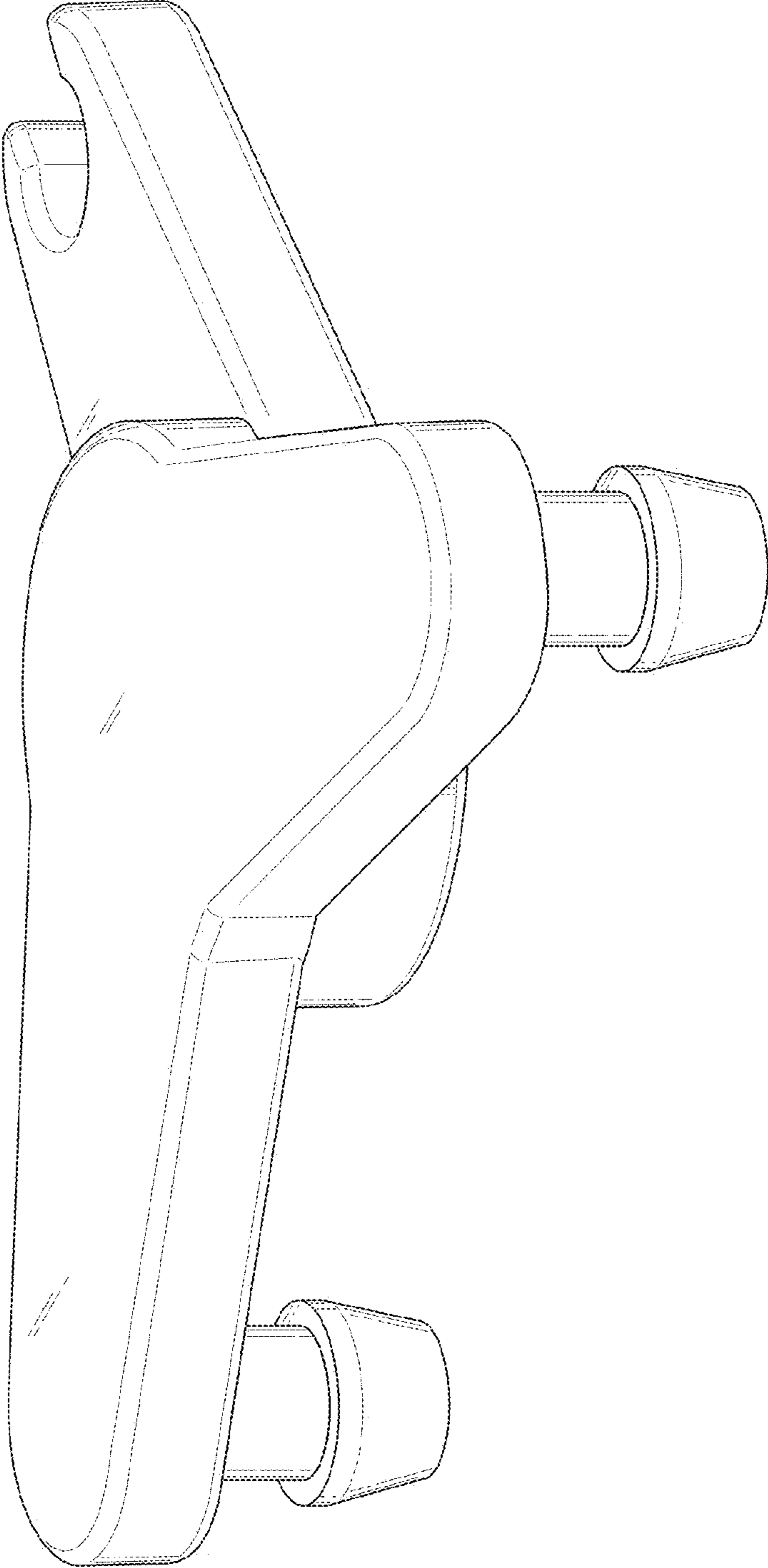


FIG. 1

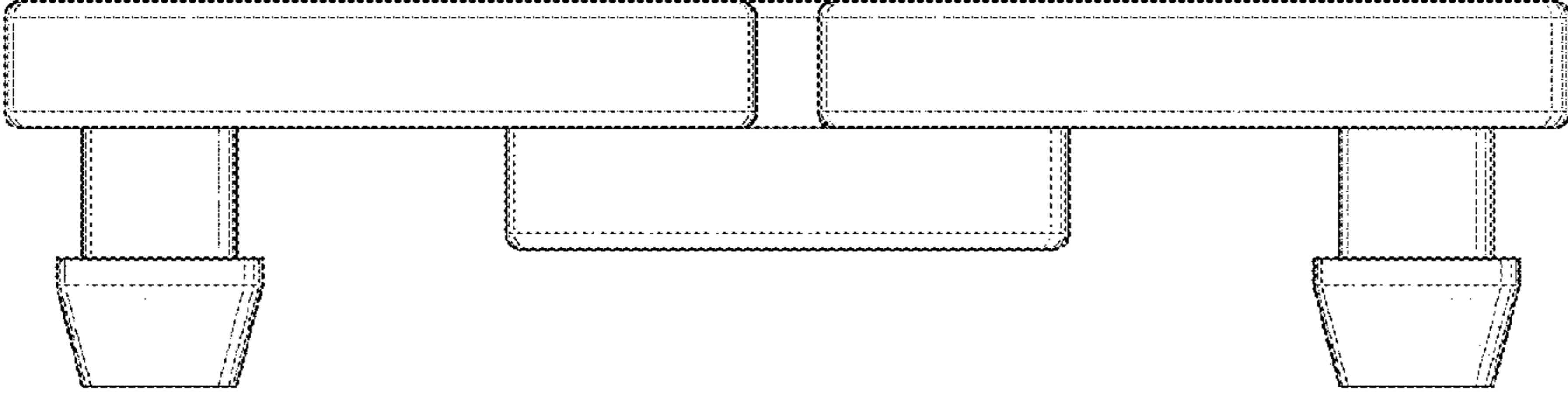


Fig. 2

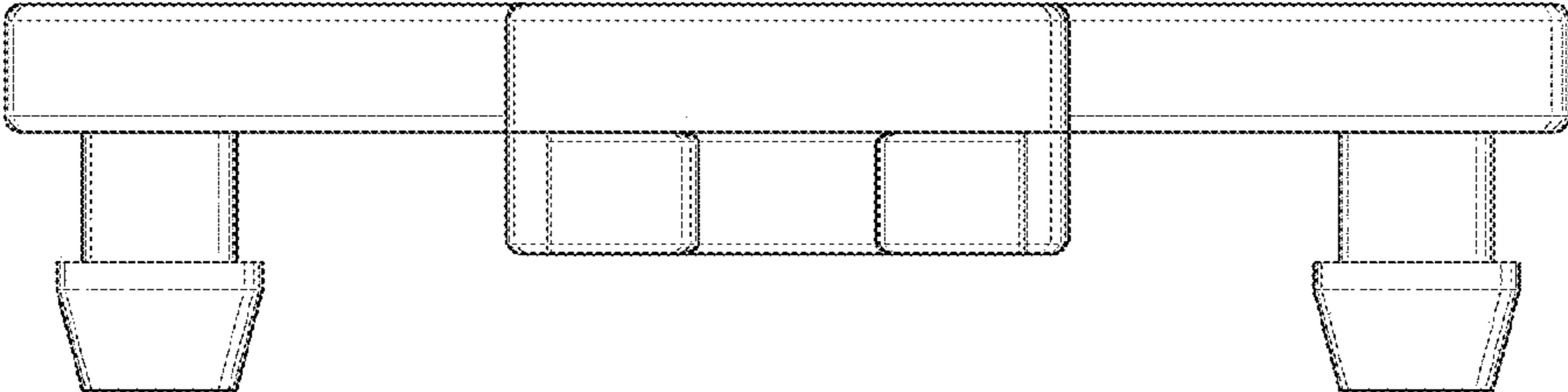


Fig. 3

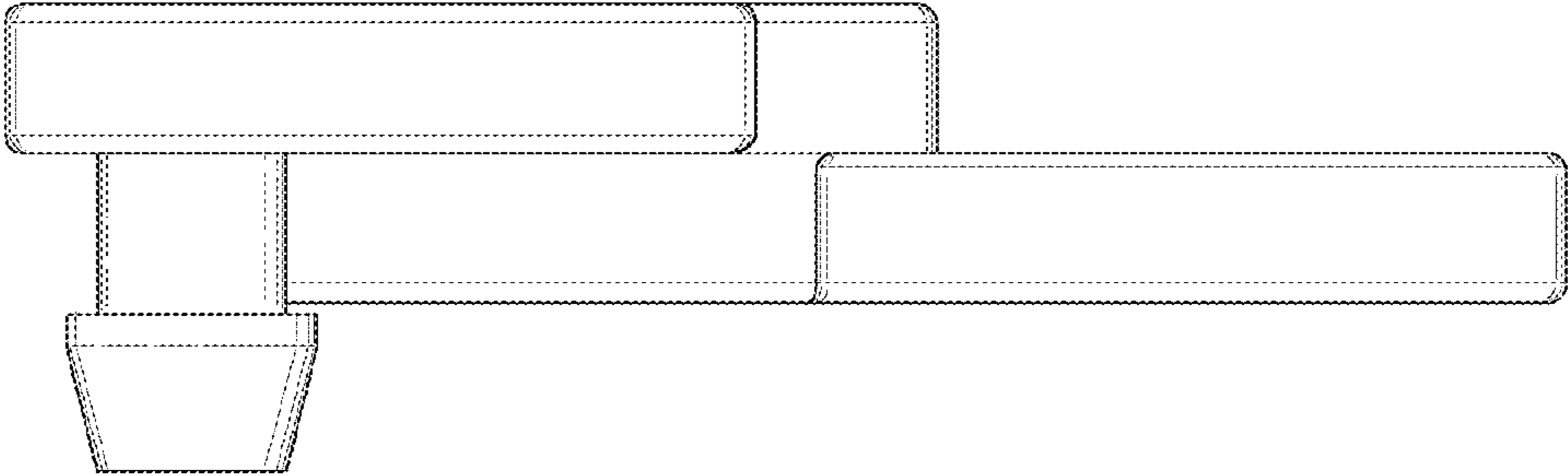


Fig. 4

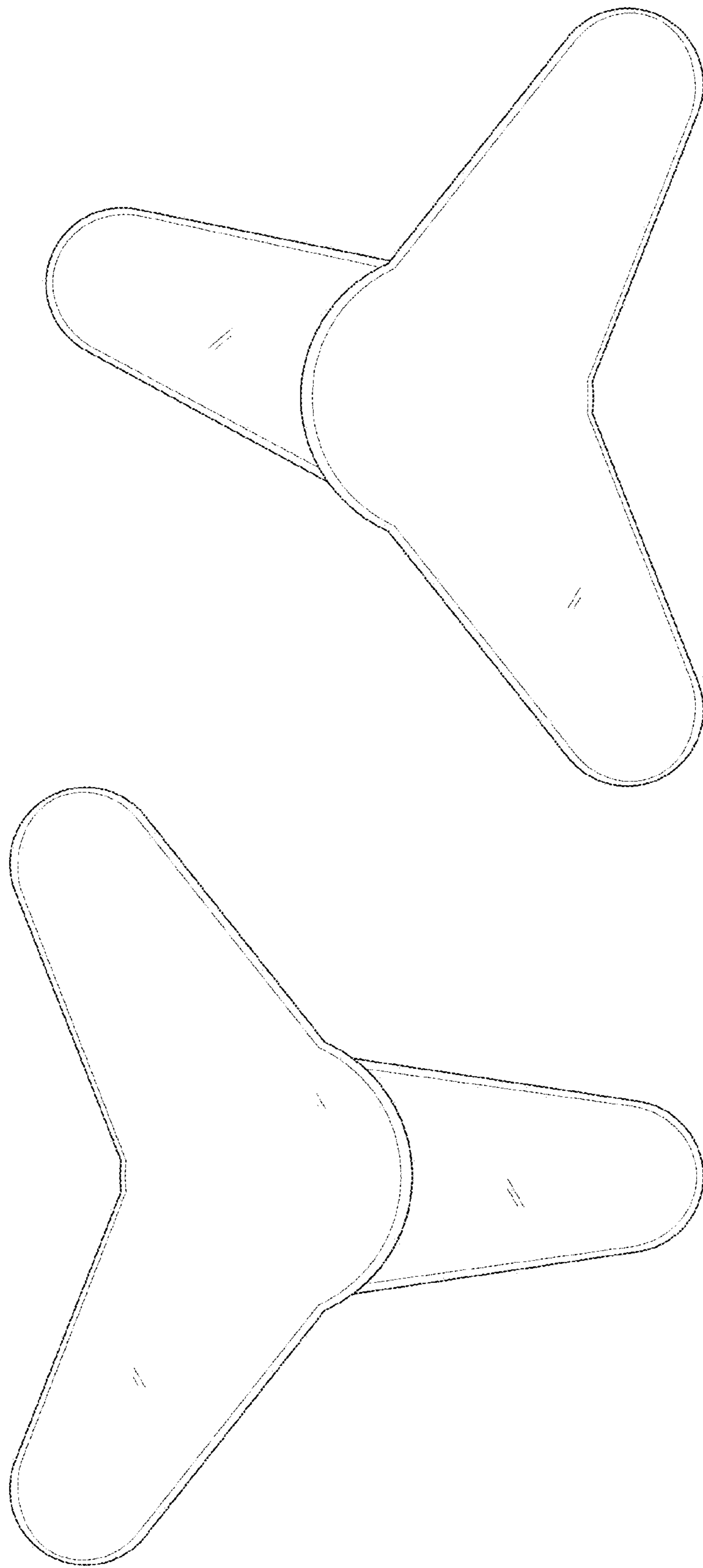


Fig. 6

Fig. 5

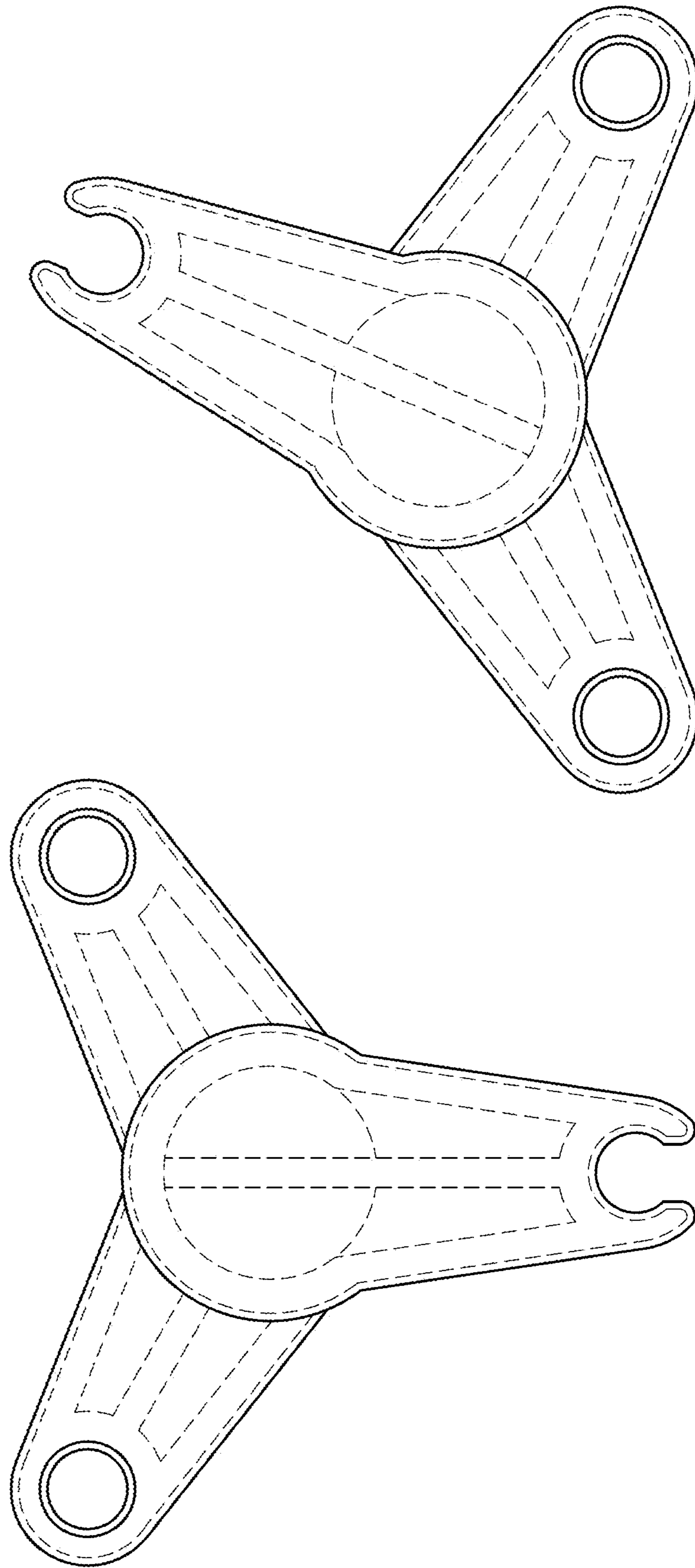


FIG. 8

FIG. 7

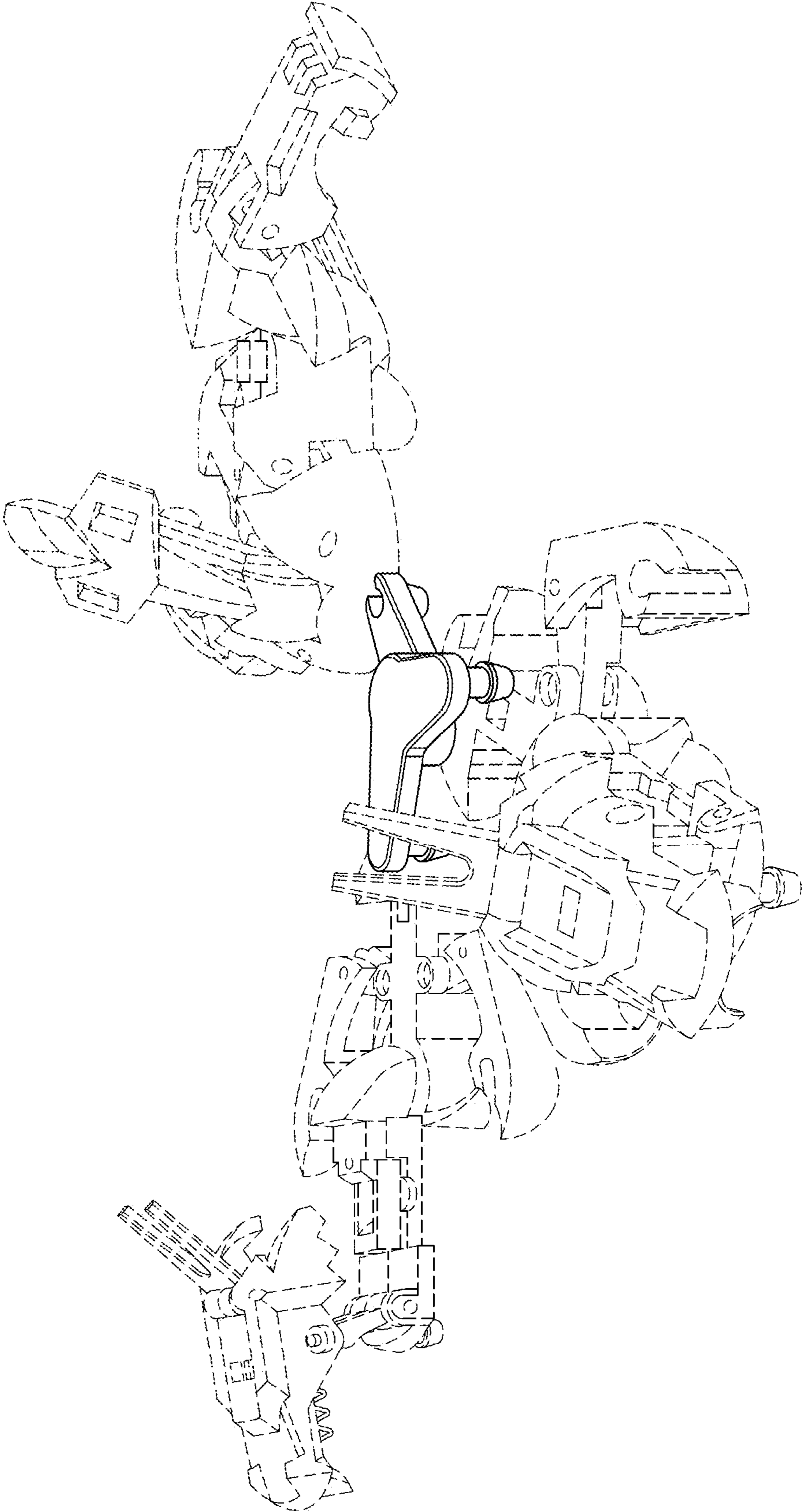


FIG. 9