



US00D754526S

(12) **United States Design Patent**  
**Sha et al.**

(10) **Patent No.:** **US D754,526 S**

(45) **Date of Patent:** **\*\* \*Apr. 26, 2016**

(54) **RETRACTABLE HOSE REEL SYSTEM**

B65H 75/4471; B66B 11/08

See application file for complete search history.

(71) Applicant: **5Elem Material Scientific (Jiangsu) Co., Ltd.**, Taizhou, Jiangsu Province (CN)

(56)

**References Cited**

U.S. PATENT DOCUMENTS

(72) Inventors: **Yuehua Sha**, Taizhou (CN); **Tao Zhou**, Taizhou (CN); **Donghui Wang**, Taizhou (CN); **Shanhong Zhou**, Taizhou (CN)

D310,103	S	*	8/1990	Beirise et al.	.....	D19/67
D419,803	S	*	2/2000	van Bakel	.....	D6/512
D566,529	S	*	4/2008	Black	.....	D8/358
D612,562	S	*	3/2010	Henderson	.....	D34/24
D638,191	S	*	5/2011	Goth et al.	.....	D34/24

(73) Assignee: **5ELEM MATERIAL SCIENTIFIC (JIANGSU) CO., LTD.**, Taizhou, Jiangsu Province (CN)

\* cited by examiner

(\*) Notice: This patent is subject to a terminal disclaimer.

*Primary Examiner* — Robert M Spear

*Assistant Examiner* — Eliza Bennett-Hattan

(\*\*) Term: **14 Years**

(74) *Attorney, Agent, or Firm* — Locke Lord LLP; Tim Tingkang Xia, Esq.

(21) Appl. No.: **29/472,668**

(22) Filed: **Nov. 14, 2013**

(57)

**CLAIM**

The ornamental design for a retractable hose reel system, as shown and described.

(30) **Foreign Application Priority Data**

Sep. 26, 2013 (CN) ..... 2013 3 04605495

(51) **LOC (10) Cl.** ..... **08-05**

(52) **U.S. Cl.**

USPC ..... **D8/358**

(58) **Field of Classification Search**

USPC ..... D8/358, 360, 356, 359, 383, 380, 381; D6/515; D12/96, 106, 400, 223, 217; D10/72; D19/67; D13/137.4; D34/14, D34/19, 24, 25

CPC ..... B66D 3/006; B66D 3/18; B66D 3/26; B66D 3/02; B66D 3/14; B63B 21/18; B63B 21/26; B65B 57/005; A61G 7/1051; A61G 7/1061; B65H 16/02; B65H 2301/4131;

**DESCRIPTION**

FIG. 1 is a perspective view of a retractable hose reel system showing our new design;

FIG. 2 is a top plan view thereof;

FIG. 3 is a bottom plan view thereof;

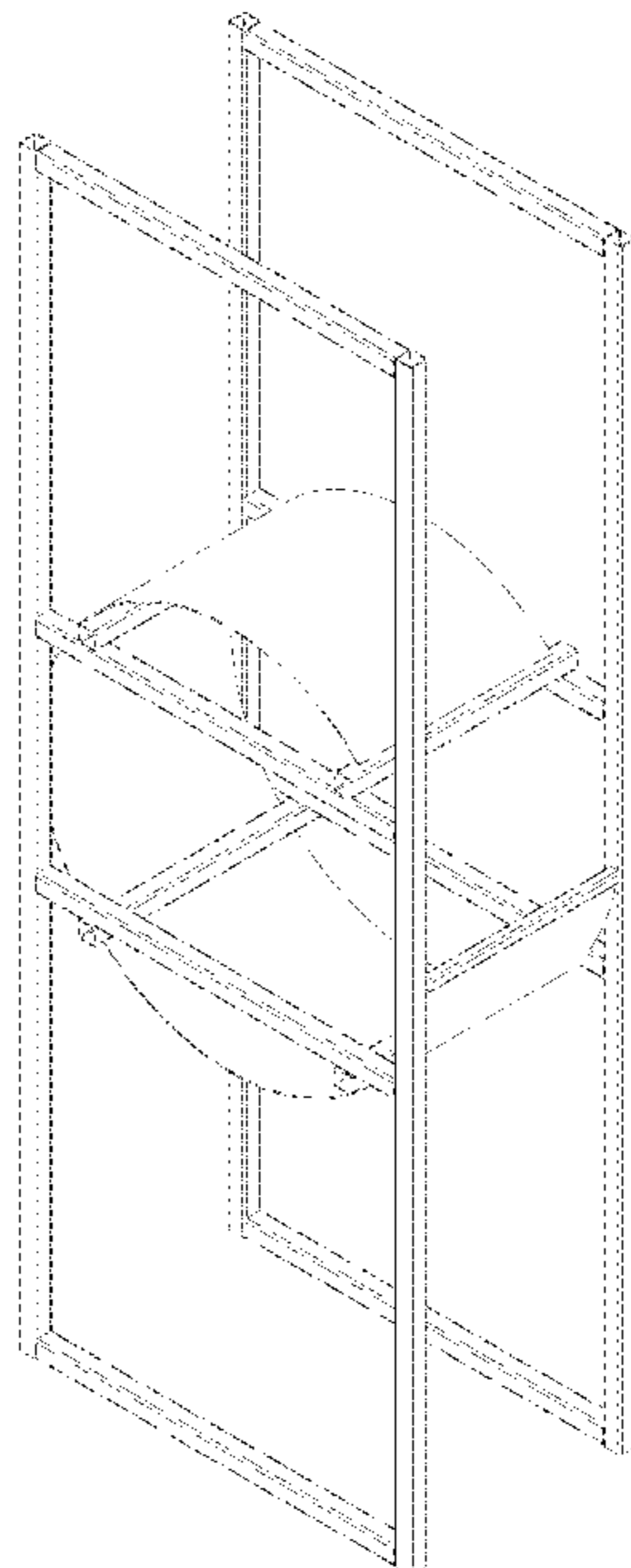
FIG. 4 is a front elevational view thereof;

FIG. 5 is a rear elevational view thereof;

FIG. 6 is a left side elevational view thereof; and,

FIG. 7 is a right side elevational view thereof.

**1 Claim, 6 Drawing Sheets**



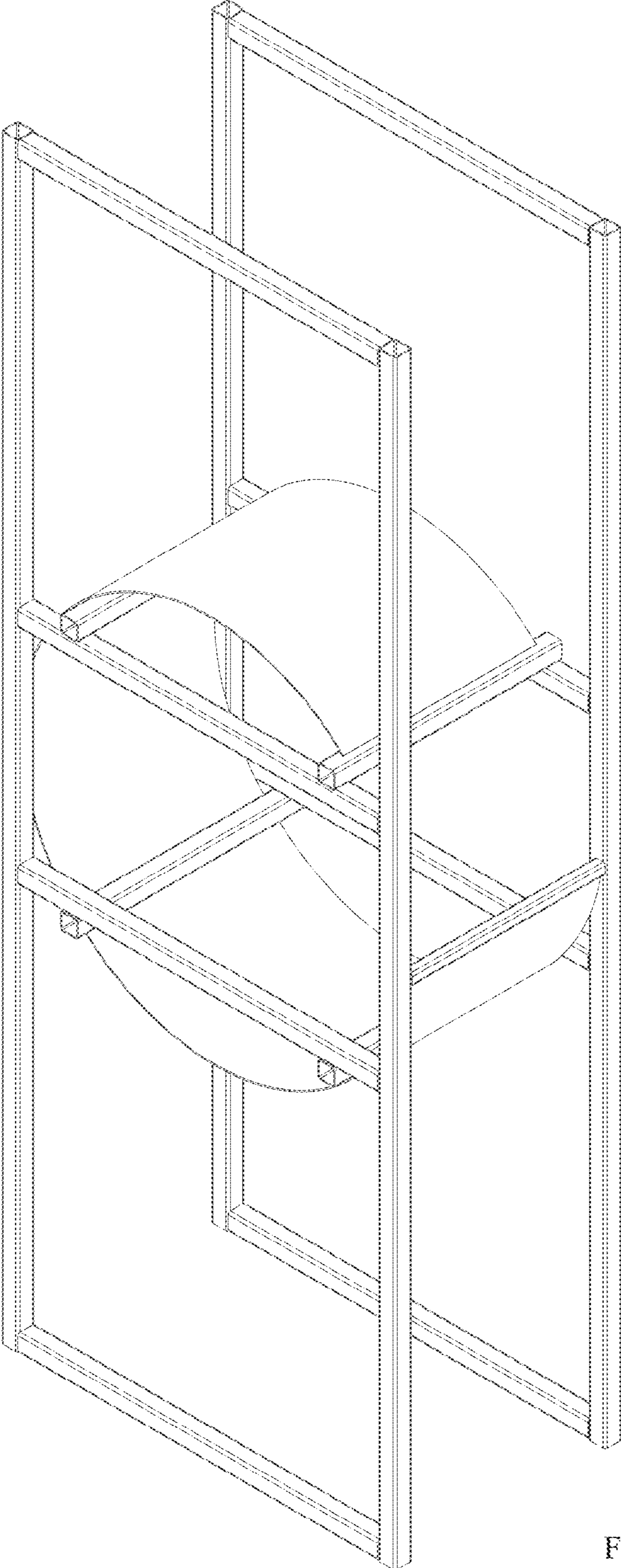


Figure 1

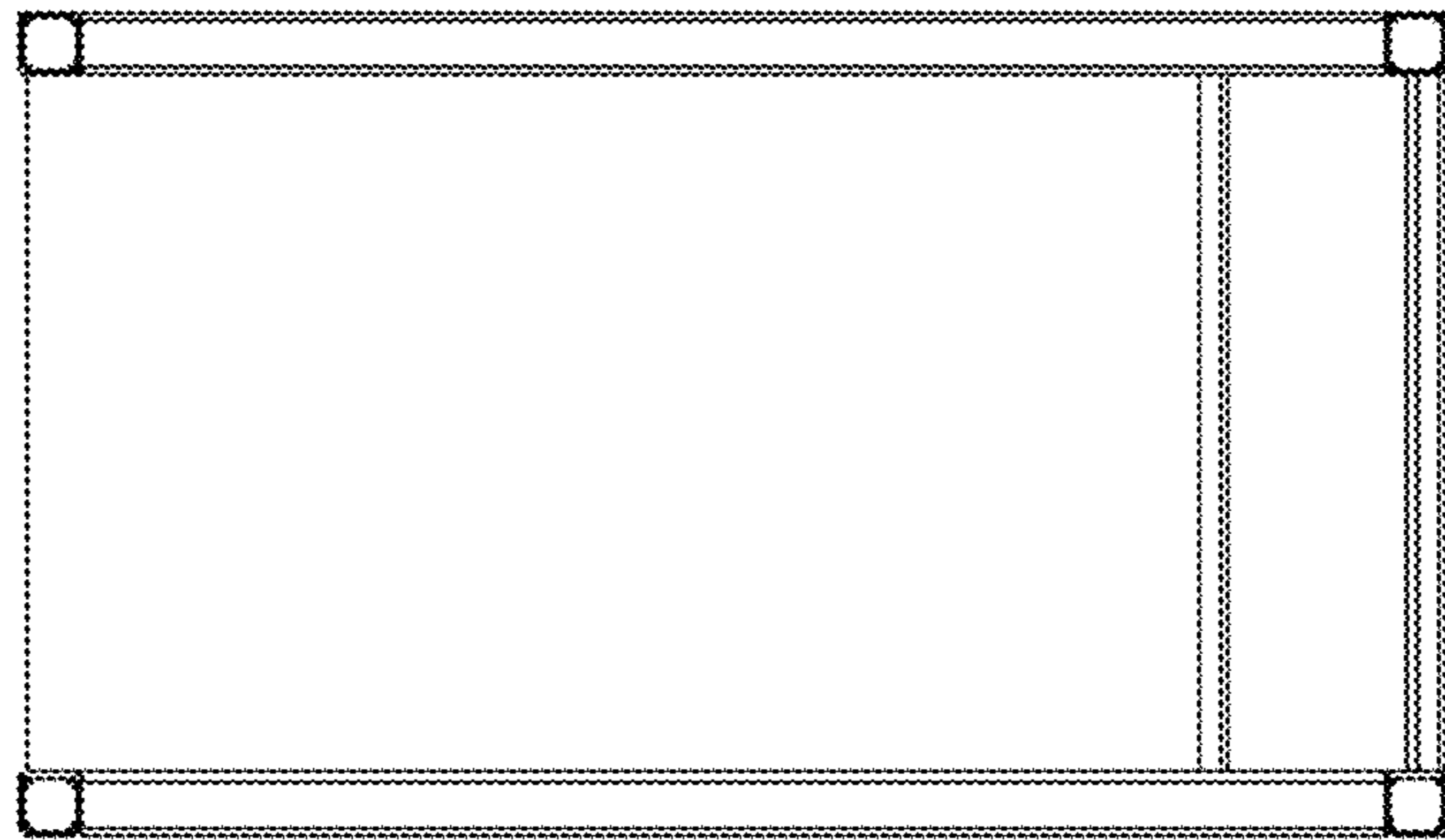


Figure 2

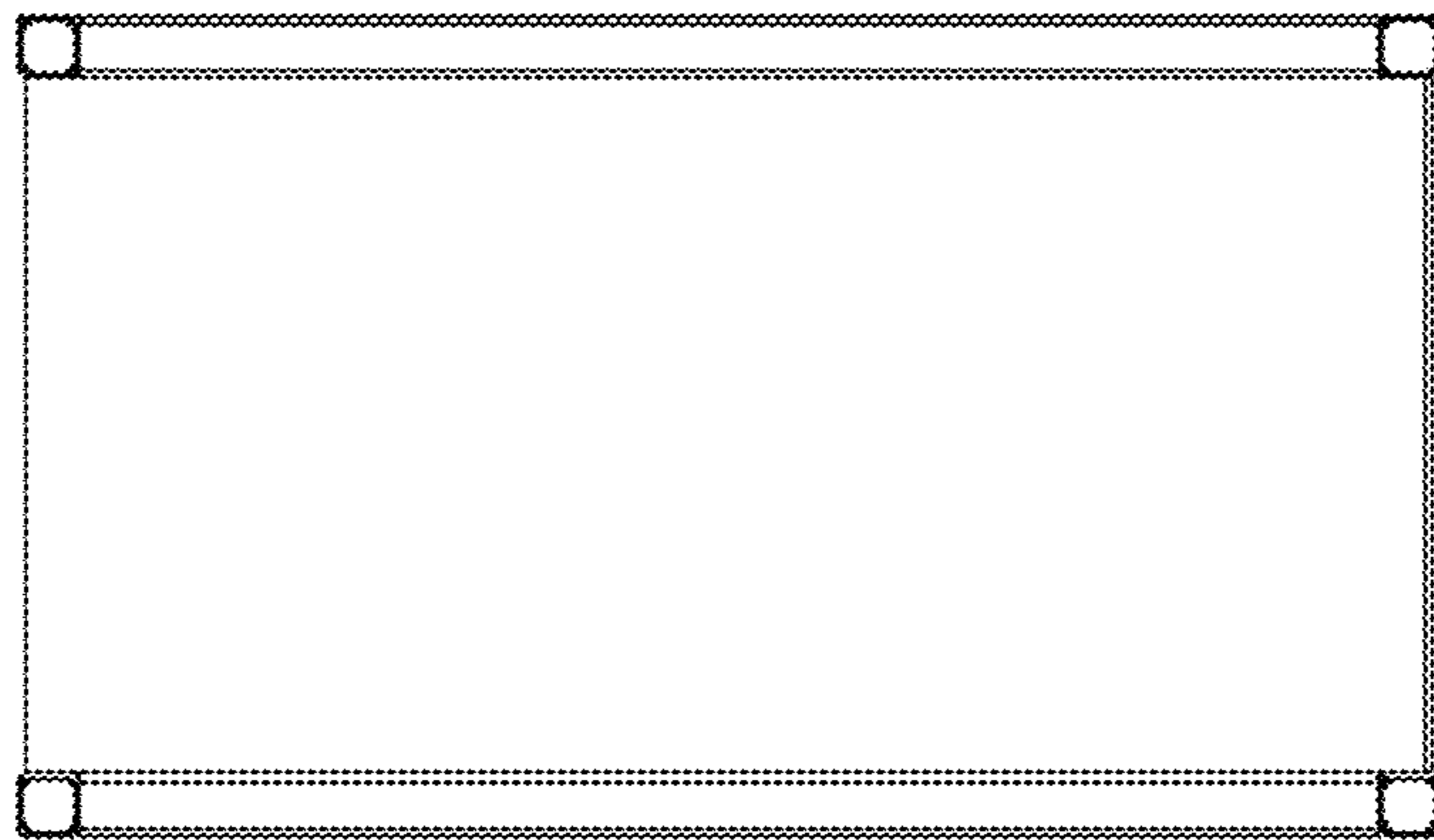


Figure 3

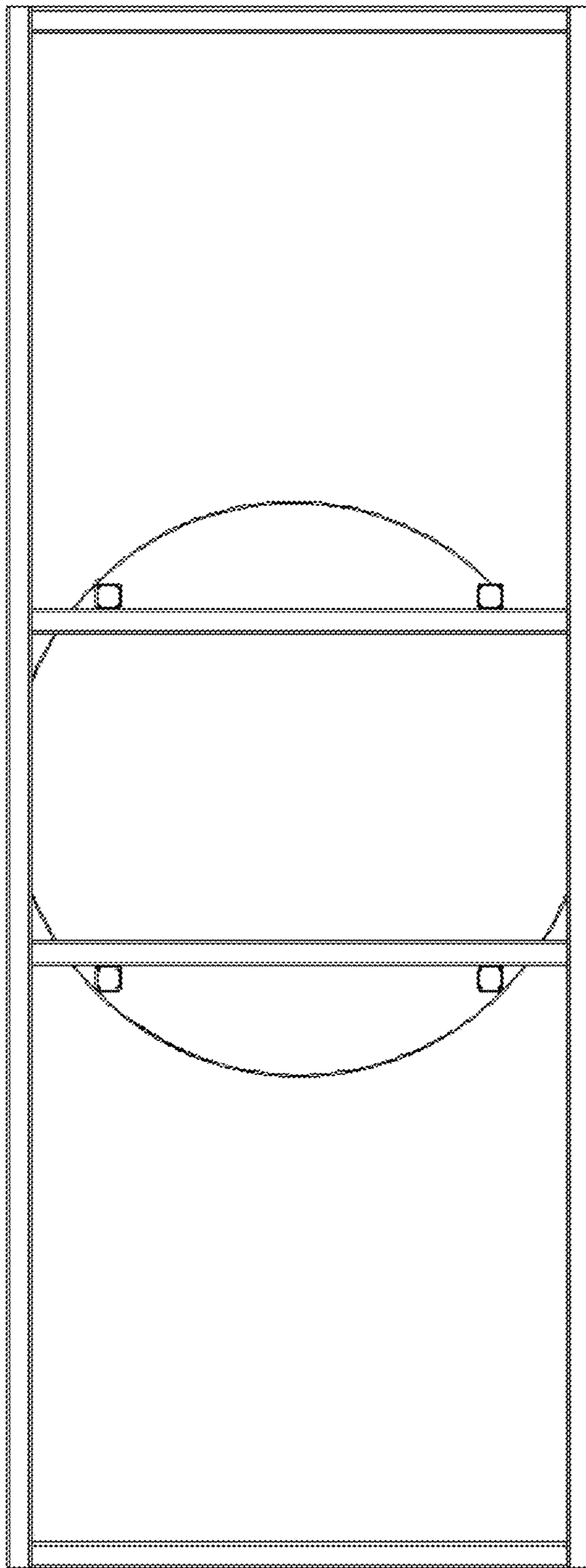


Figure 4

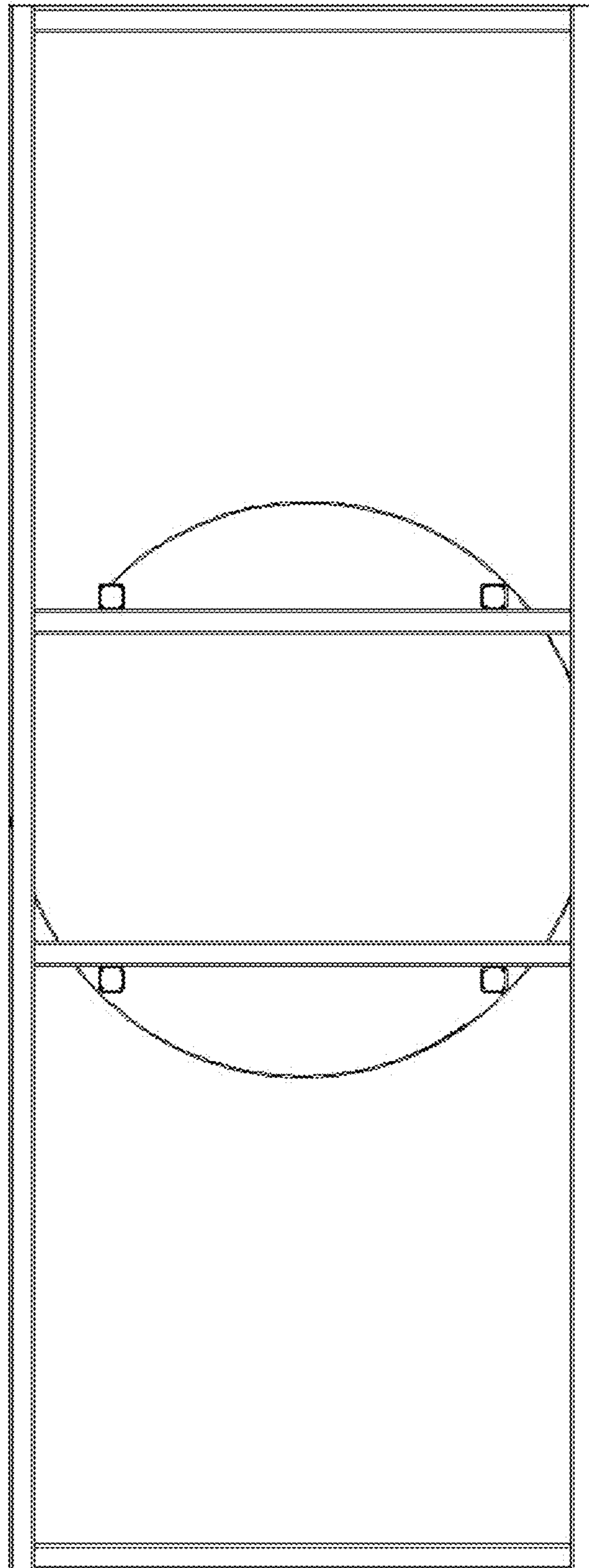


Figure 5

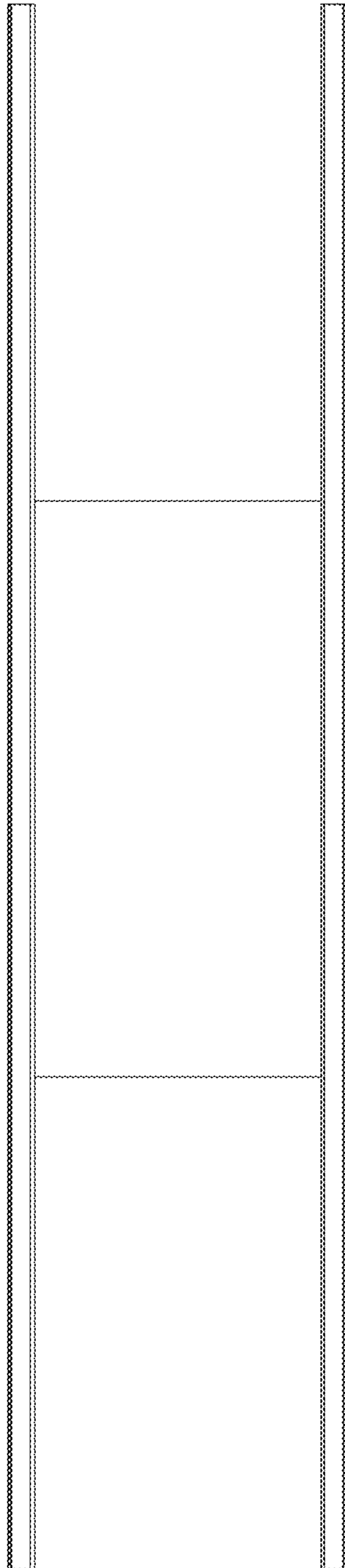


Figure 6

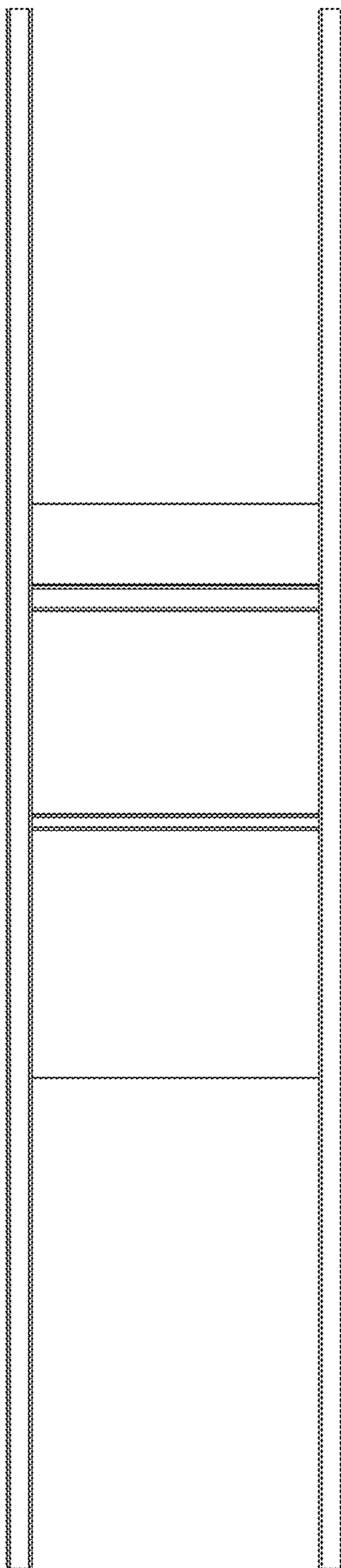


Figure 7