



US00D754525S

(12) **United States Design Patent**
Kandakur et al.

(10) **Patent No.:** **US D754,525 S**
(45) **Date of Patent:** **** Apr. 26, 2016**

(54) **STOP ASSEMBLY FOR A BOGIE**

D695,091 S * 12/2013 Nunez Farfan D8/354
D702,532 S * 4/2014 Garrido D8/354
D718,101 S * 11/2014 Mason D8/14

(71) Applicant: **General Electric Company,**
Schenectady, NY (US)

* cited by examiner

(72) Inventors: **Rajeev Kandakur,** Bangalore (IN);
Jagadeesh Nandigavi, Bangalore (IN)

Primary Examiner — Rosemary K Tarcza
Assistant Examiner — Nathaniel D Buckner

(73) Assignee: **General Electrical Company,**
Schenectady, NY (US)

(74) *Attorney, Agent, or Firm* — GE Global Patent
Operation; John A. Kramer

(**) Term: **14 Years**

(57) **CLAIM**

(21) Appl. No.: **29/507,570**

The ornamental design for a stop assembly for a bogie, as
shown and described.

(22) Filed: **Oct. 29, 2014**

(51) **LOC (10) Cl.** **08-05**

(52) **U.S. Cl.**
USPC **D8/354**

(58) **Field of Classification Search**
USPC D8/349, 354–355, 373, 380, 382–383,
D8/394, 396; D13/102, 118, 149, 154,
D13/155, 184, 199
CPC E04G 21/3276; A62B 1/04; A62B 35/04;
B62D 33/0273; Y10T 292/79; Y10T 70/7915
See application file for complete search history.

DESCRIPTION

FIG. 1 is a perspective view of a stop assembly for a bogie
showing our new design in an assembled state;
FIG. 2 is a front elevational view thereof;
FIG. 3 is a rear elevational view thereof;
FIG. 4 is a left side elevational view thereof;
FIG. 5 is a right side elevational view thereof;
FIG. 6 is a top plan view thereof; and,
FIG. 7 is a bottom plan view thereof.

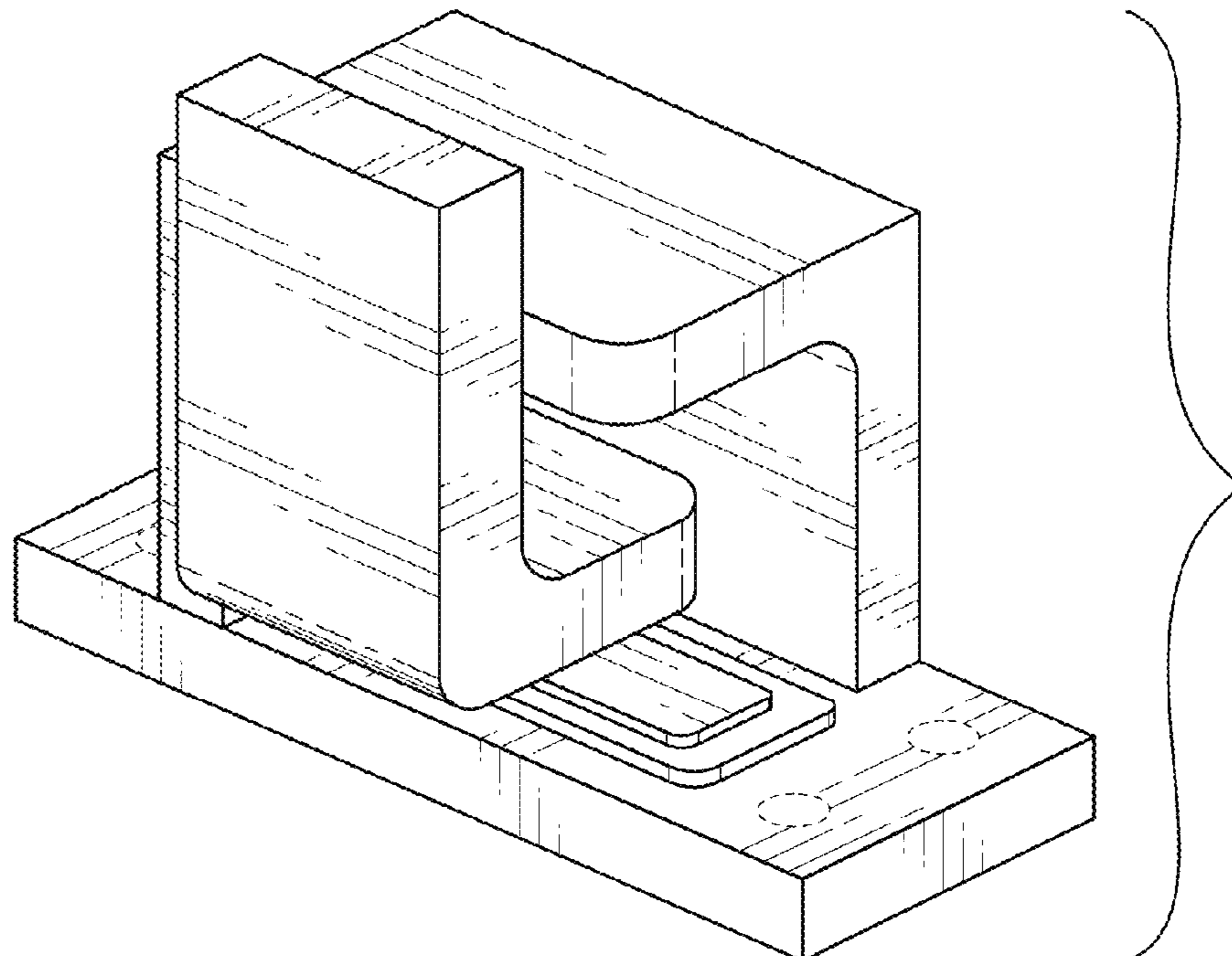
The broken line portion of the figure drawings is included to
show unclaimed subject matter only and forms no part of the
claimed designs. The bracket in the figures is for the purpose
of illustrating the stop assembly for a bogie in an assembled
state and forms no part of the claimed design.

(56) **References Cited**

U.S. PATENT DOCUMENTS

D289,007 S * 3/1987 Garcia D8/354
D576,026 S * 9/2008 Mazzocco D8/382

1 Claim, 4 Drawing Sheets



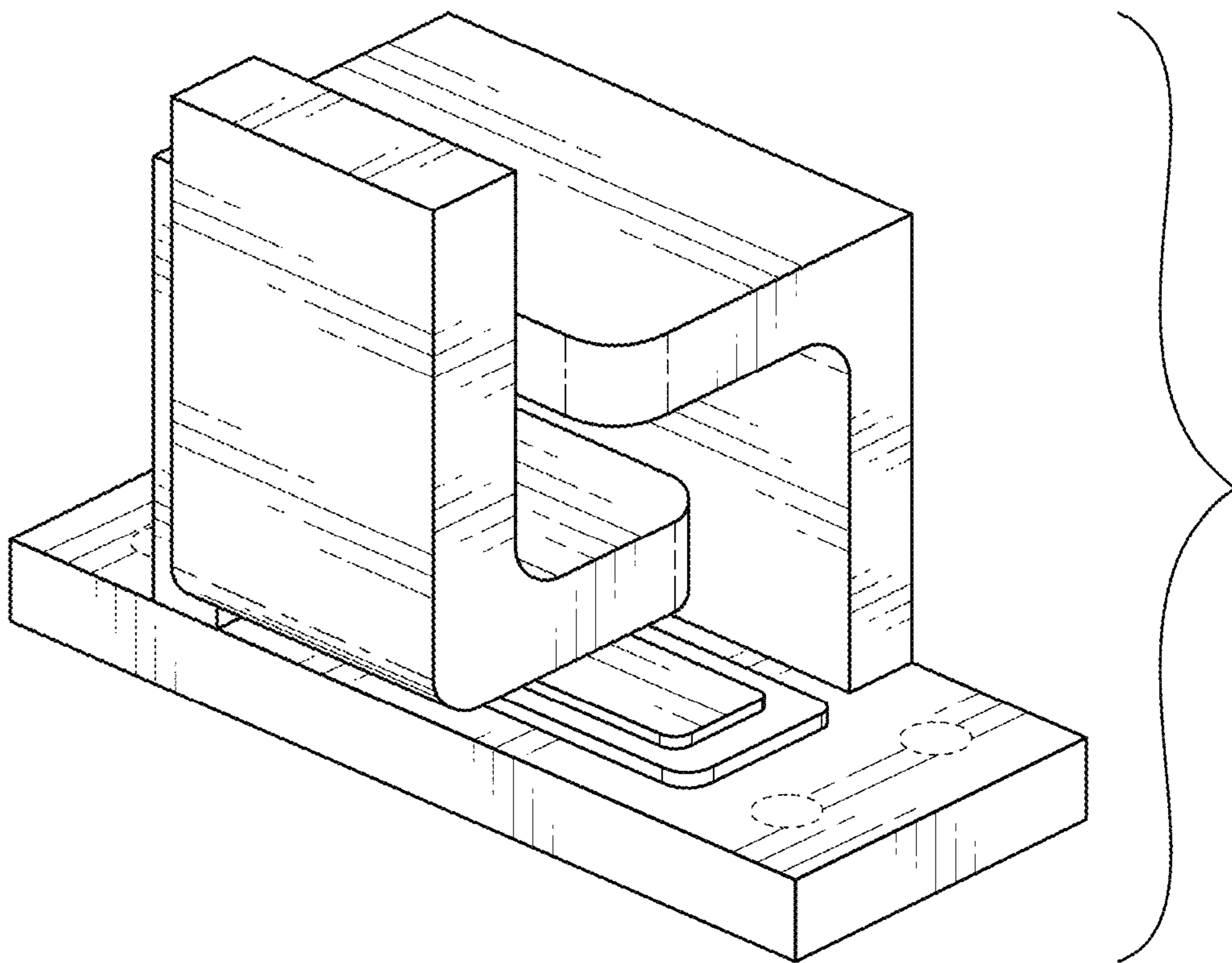


FIG. 1

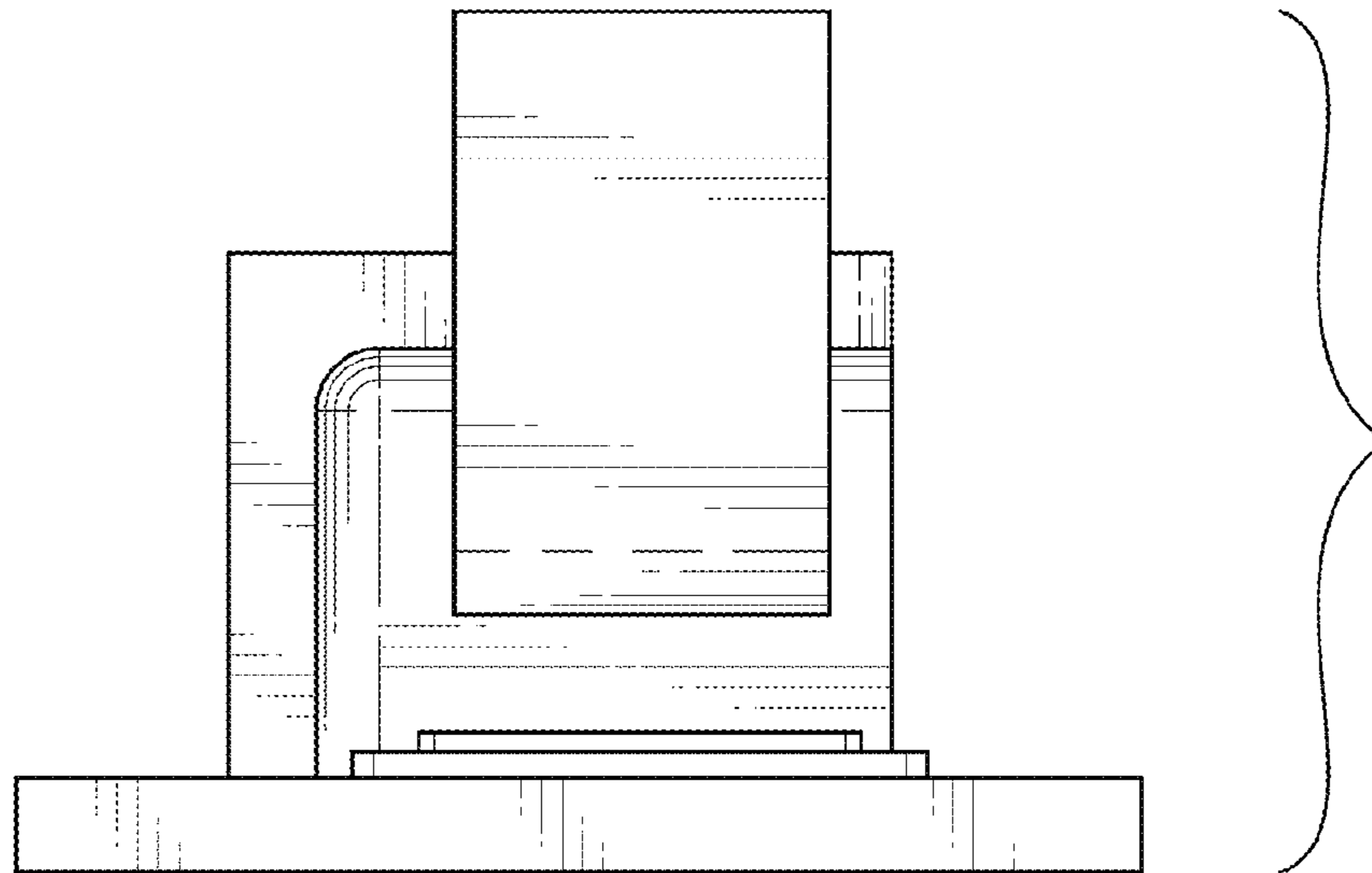


FIG. 2

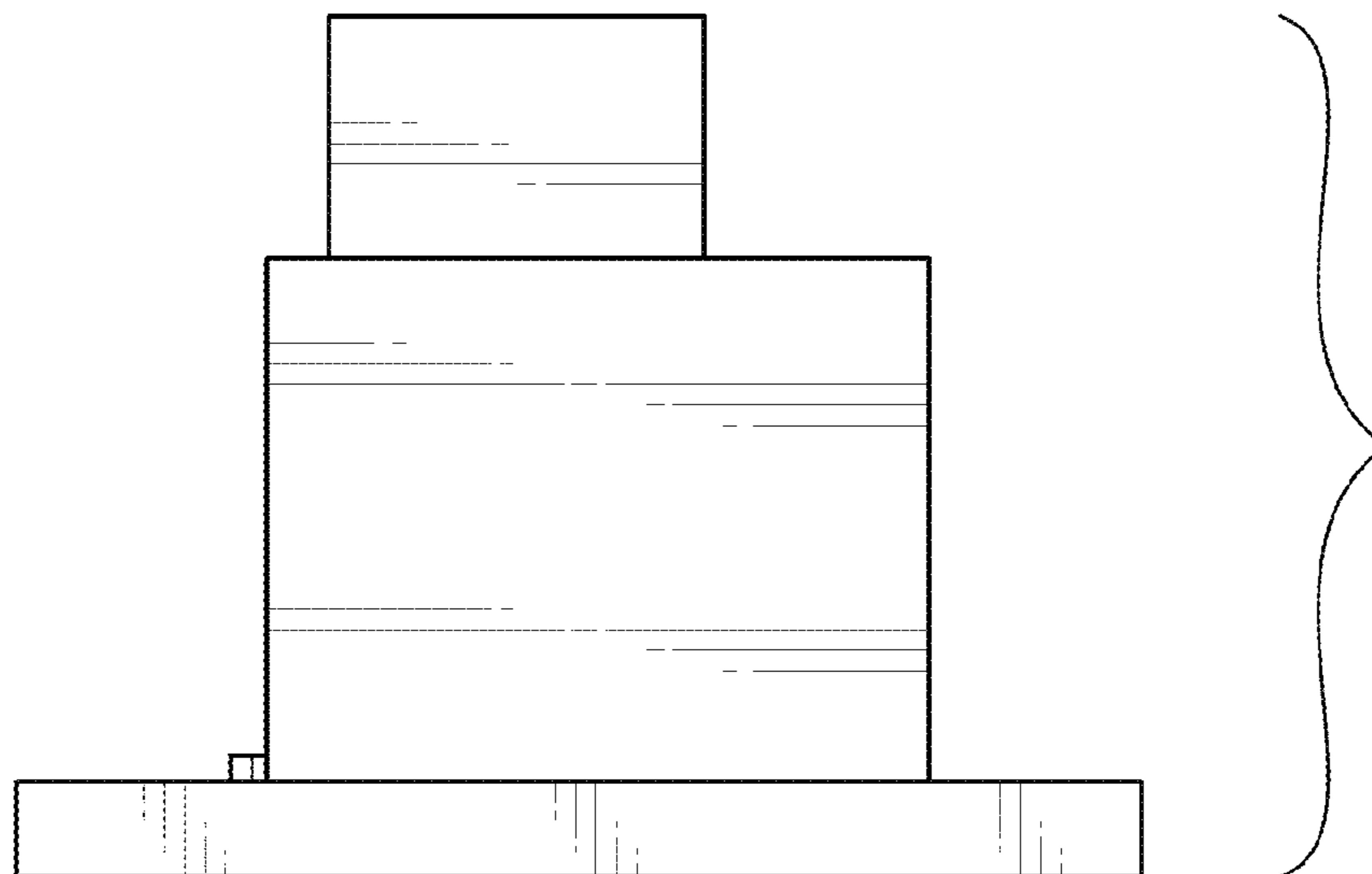


FIG. 3

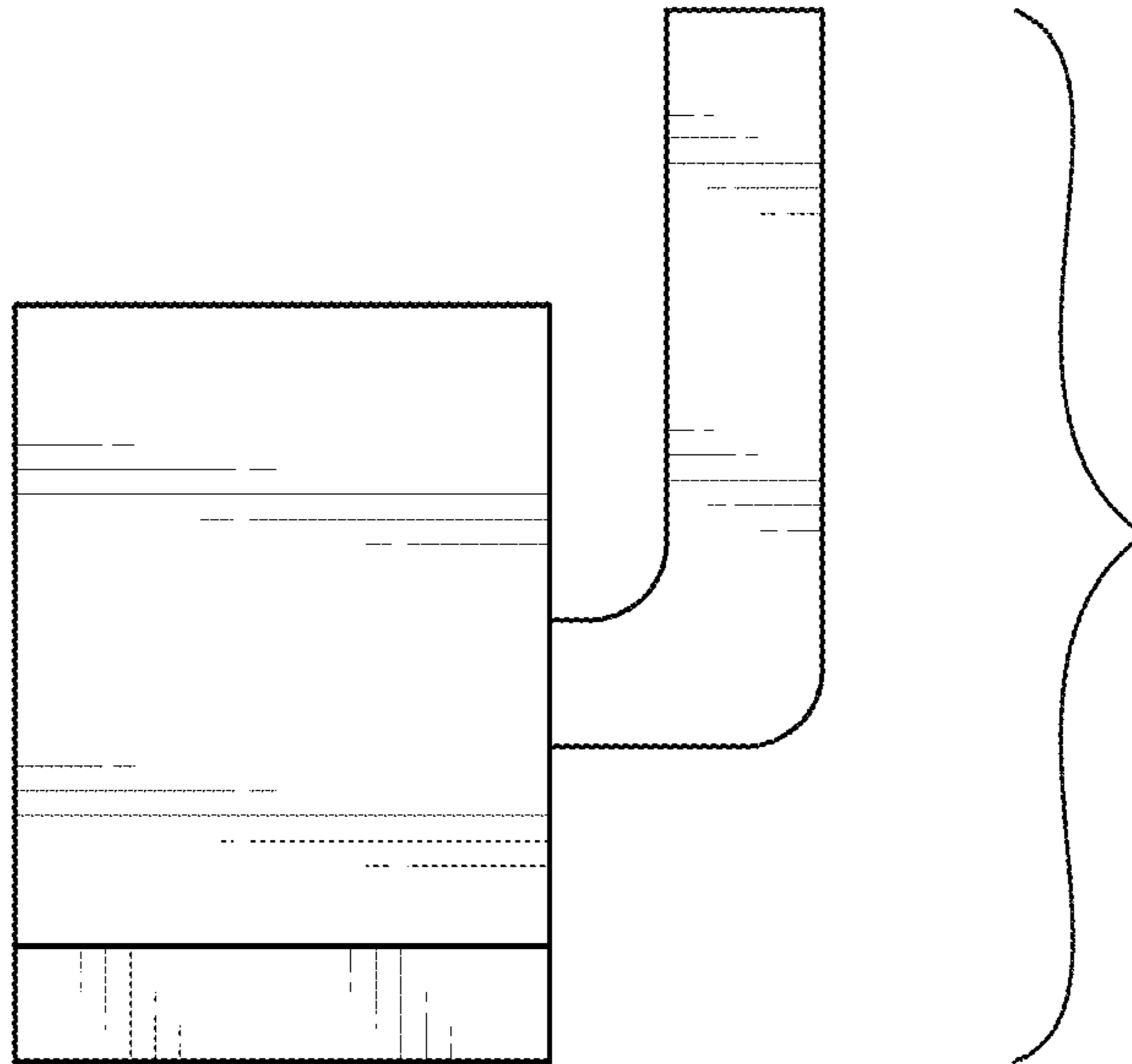


FIG. 4

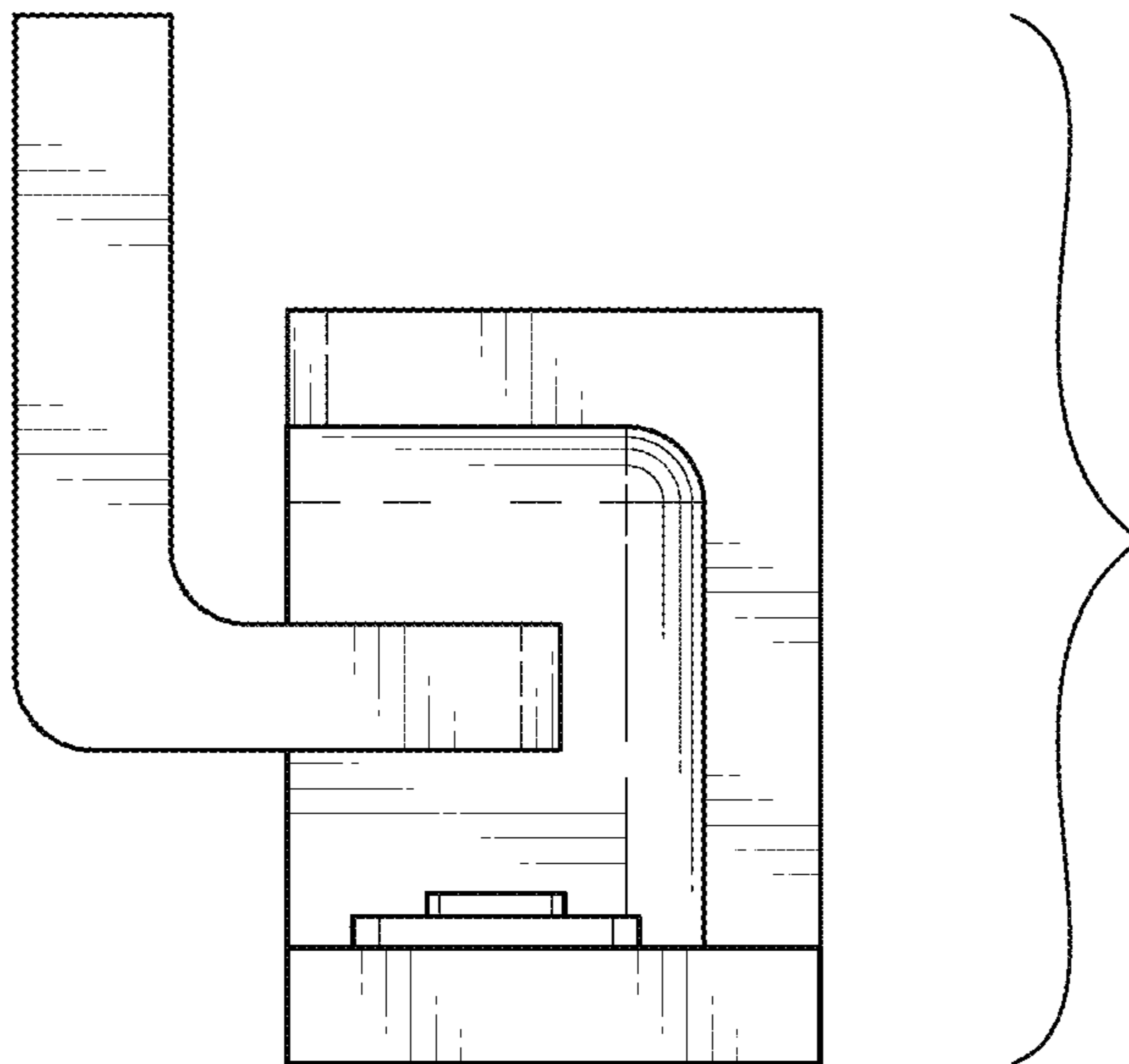


FIG. 5

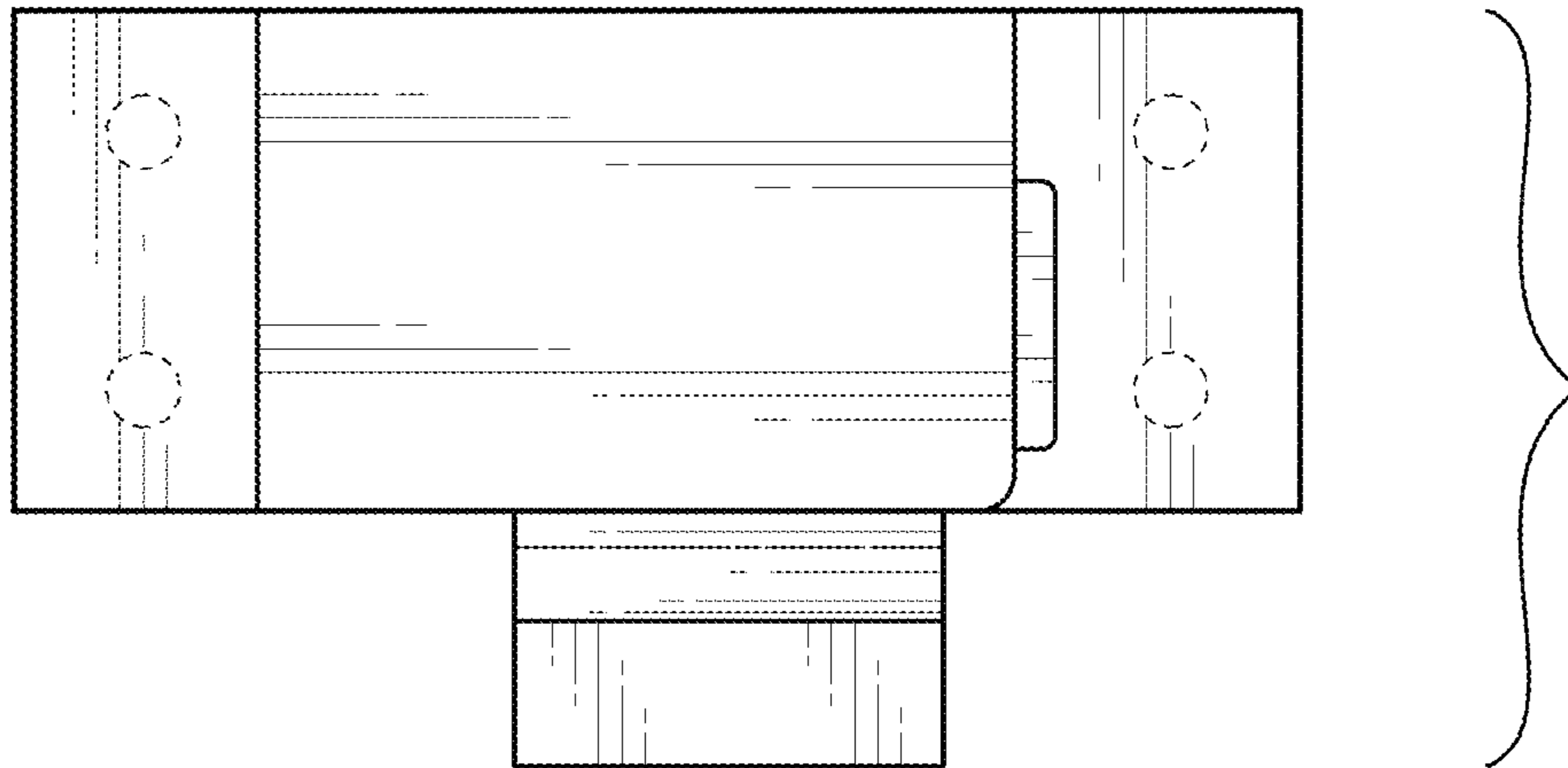


FIG. 6

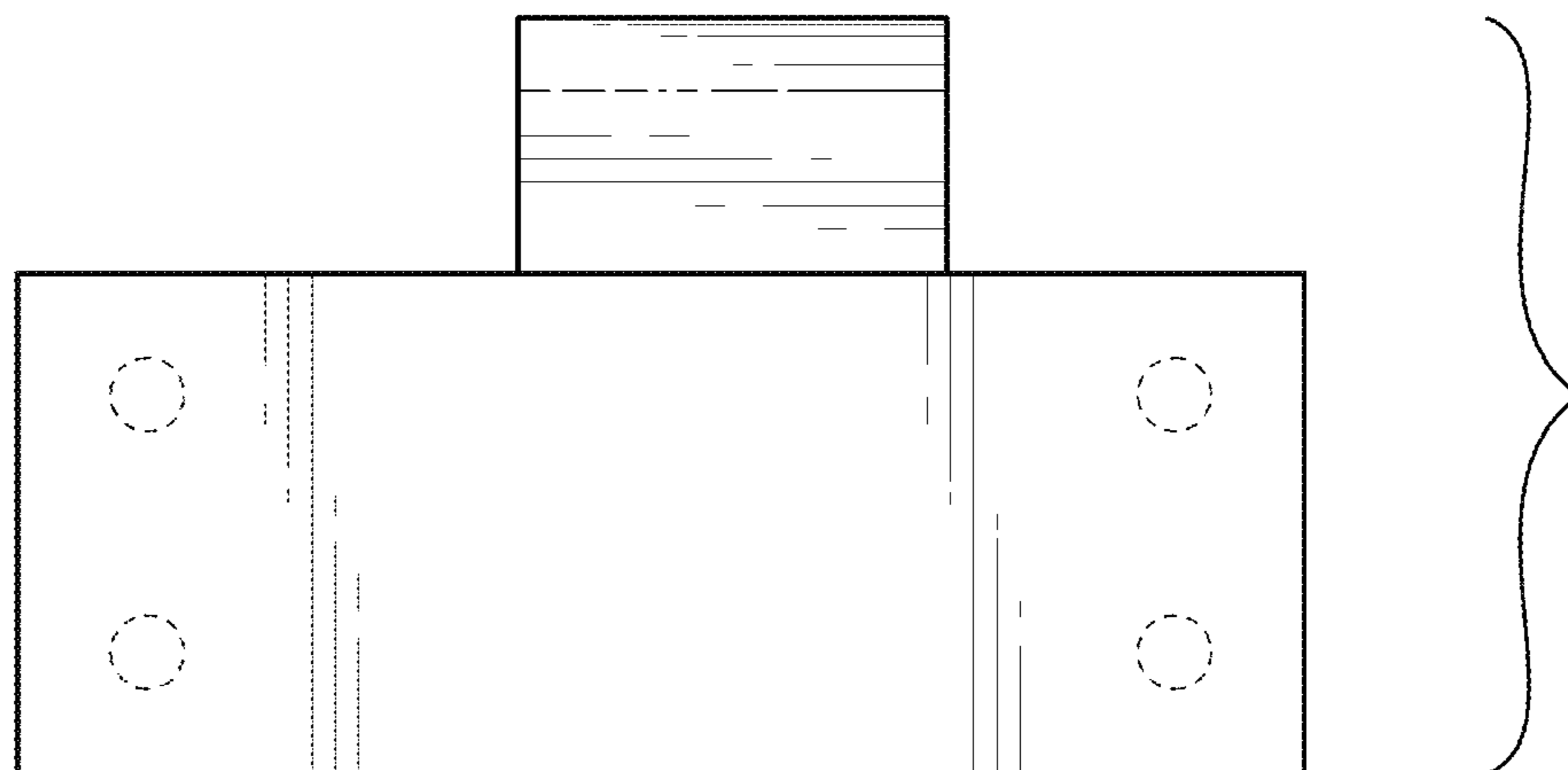


FIG. 7