



US00D754524S

(12) **United States Design Patent**  
**Federspiel**

(10) **Patent No.:** **US D754,524 S**  
(45) **Date of Patent:** **\*\* Apr. 26, 2016**

- (54) **BALUSTER SPACER**
- (71) Applicant: **Russell Federspiel**, Old Town, FL (US)
- (72) Inventor: **Russell Federspiel**, Old Town, FL (US)
- (\*\*) Term: **14 Years**
- (21) Appl. No.: **29/504,350**
- (22) Filed: **Oct. 4, 2014**
- (51) **LOC (10) Cl.** ..... **08-05**
- (52) **U.S. Cl.**  
USPC ..... **D8/354**
- (58) **Field of Classification Search**  
USPC ..... D8/349, 354–355, 367, 370, 373, 380,  
D8/382–383, 394, 396; D13/102, 118,  
D13/149, 154, 155, 184, 199  
CPC ..... E04F 21/26; E04G 21/00; G01B 3/34  
See application file for complete search history.

2007/0245581 A1\* 10/2007 Hios ..... B43L 7/10  
33/429  
2012/0318942 A1\* 12/2012 Merker ..... A47G 7/044  
248/219.4

\* cited by examiner

*Primary Examiner* — Rosemary K Tarcza  
*Assistant Examiner* — Nathaniel D Buckner  
(74) *Attorney, Agent, or Firm* — Larson & Larson, P.A.;  
Justin P. Miller; Patrick A. Reid

(57) **CLAIM**  
I claim the ornamental design for a baluster spacer, as shown  
and described.

**DESCRIPTION**

FIG. 1 is a perspective view of the baluster spacer showing my  
new design;  
FIG. 2 is a front elevation view thereof;  
FIG. 3 is a rear elevation view thereof;  
FIG. 4 is a left side view thereof;  
FIG. 5 is a right side view thereof;  
FIG. 6 is a top plan view thereof;  
FIG. 7 is a bottom plan view thereof; and,  
FIG. 8 is a perspective view showing the baluster spacer in an  
environment of use.

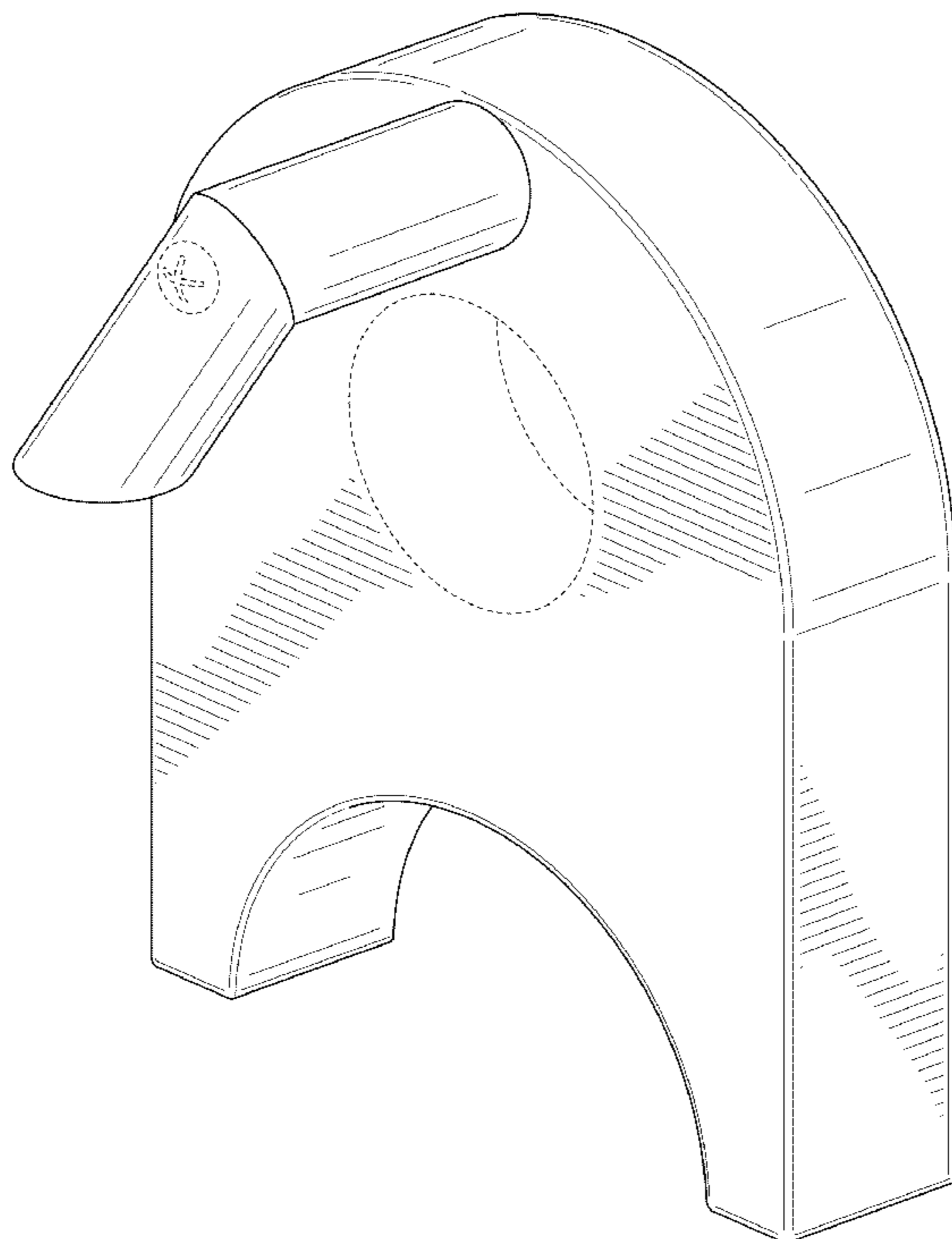
The broken lines in FIGS. 1-8 depicting a pan head screw, hex  
nut, and through-hole represent portions of the article which  
form no part of the claim. The broken lines in FIG. 8 depicting  
a deck baluster represent environmental structure and form no  
part of the claimed design.

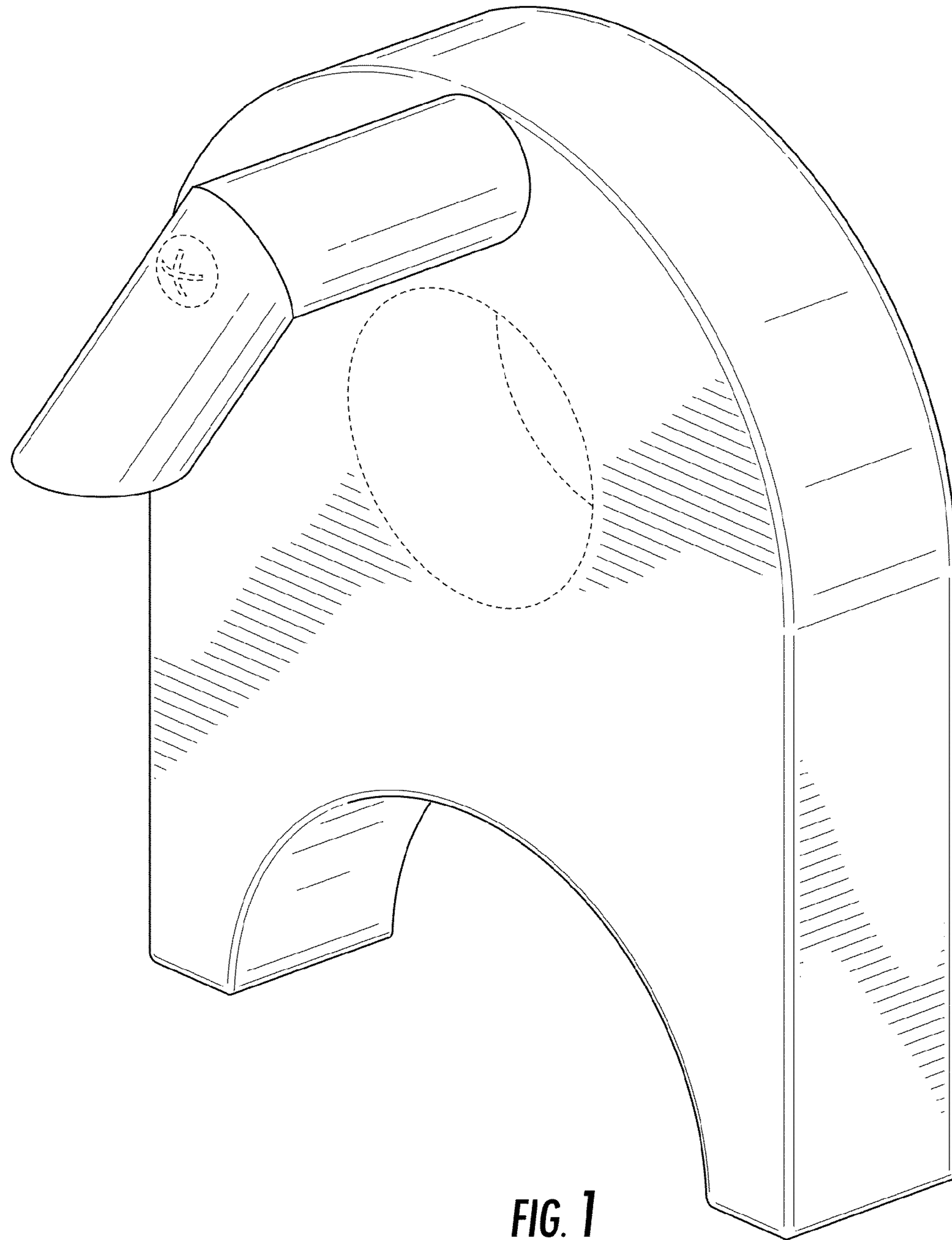
(56) **References Cited**

U.S. PATENT DOCUMENTS

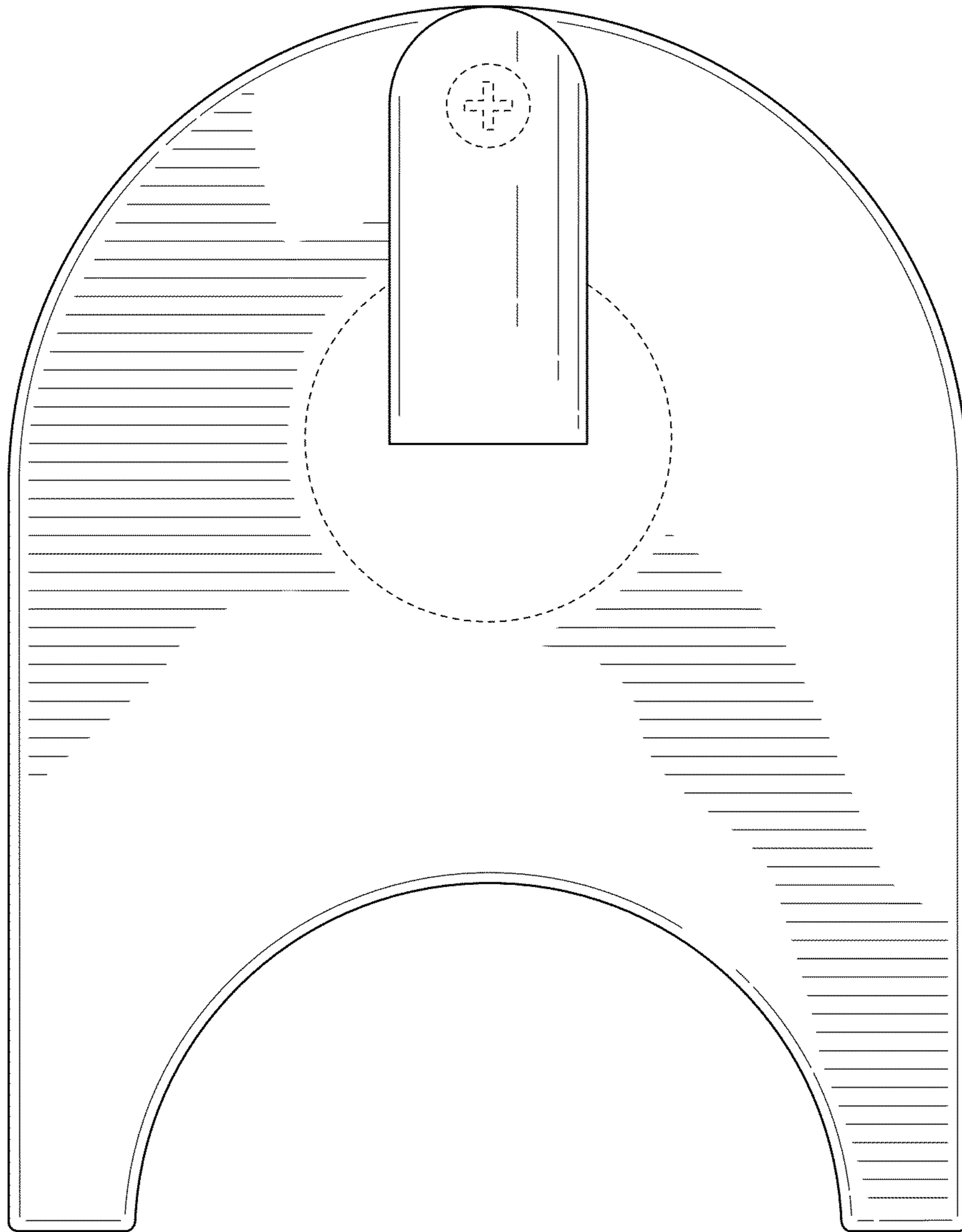
D395,000 S *	6/1998	Bartz, Jr.	.....	D8/382
D569,229 S *	5/2008	Johns	.....	D8/354
8,807,537 B1 *	8/2014	Vorrath	.....	E04F 21/26 256/59
2004/0244213 A1 *	12/2004	Burrell	.....	E04F 21/26 33/558.02
2006/0032067 A1 *	2/2006	Orr	.....	G01B 3/34 33/501.08
2007/0163205 A1 *	7/2007	Johns	.....	E02D 27/01 52/745.05

**1 Claim, 8 Drawing Sheets**

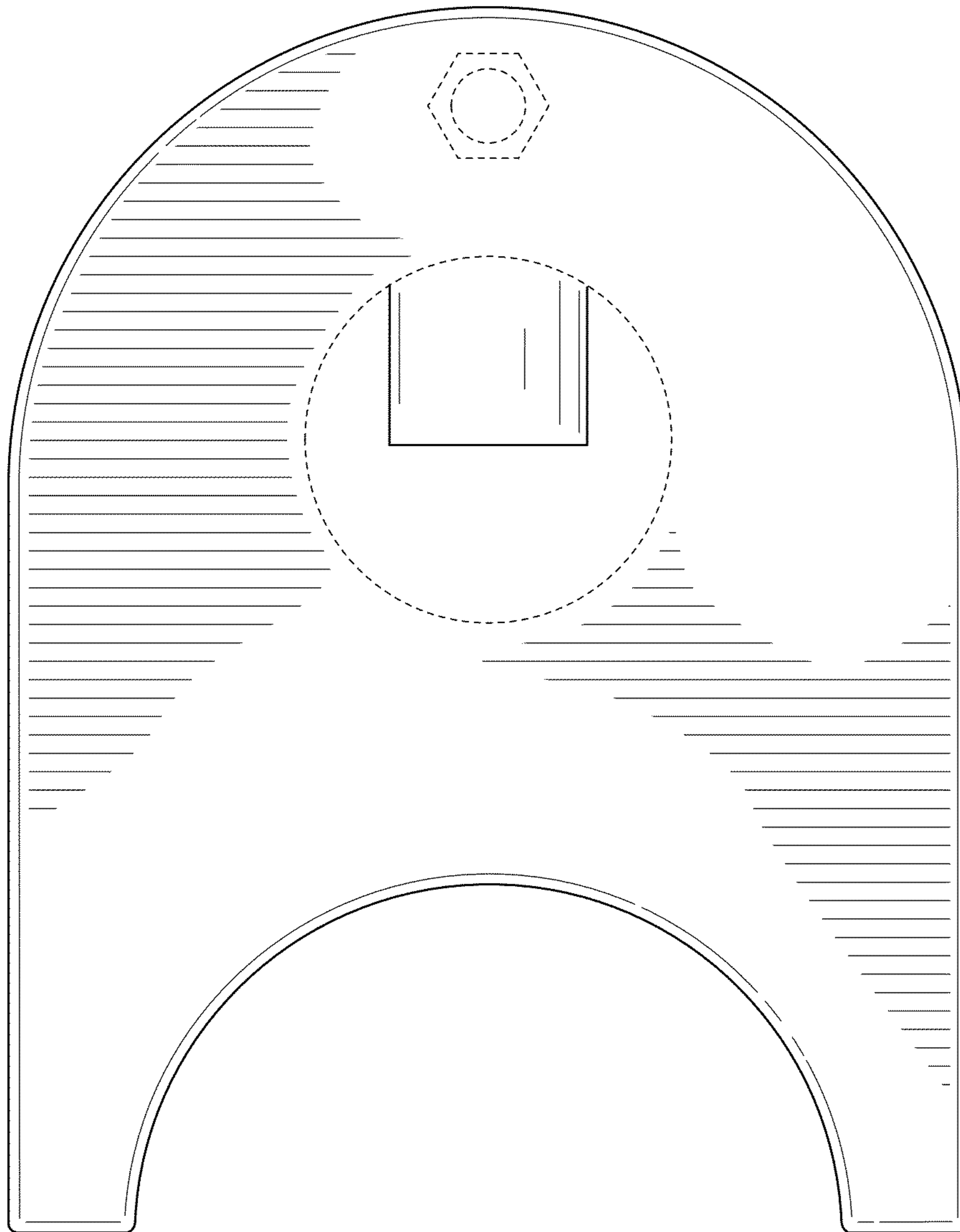




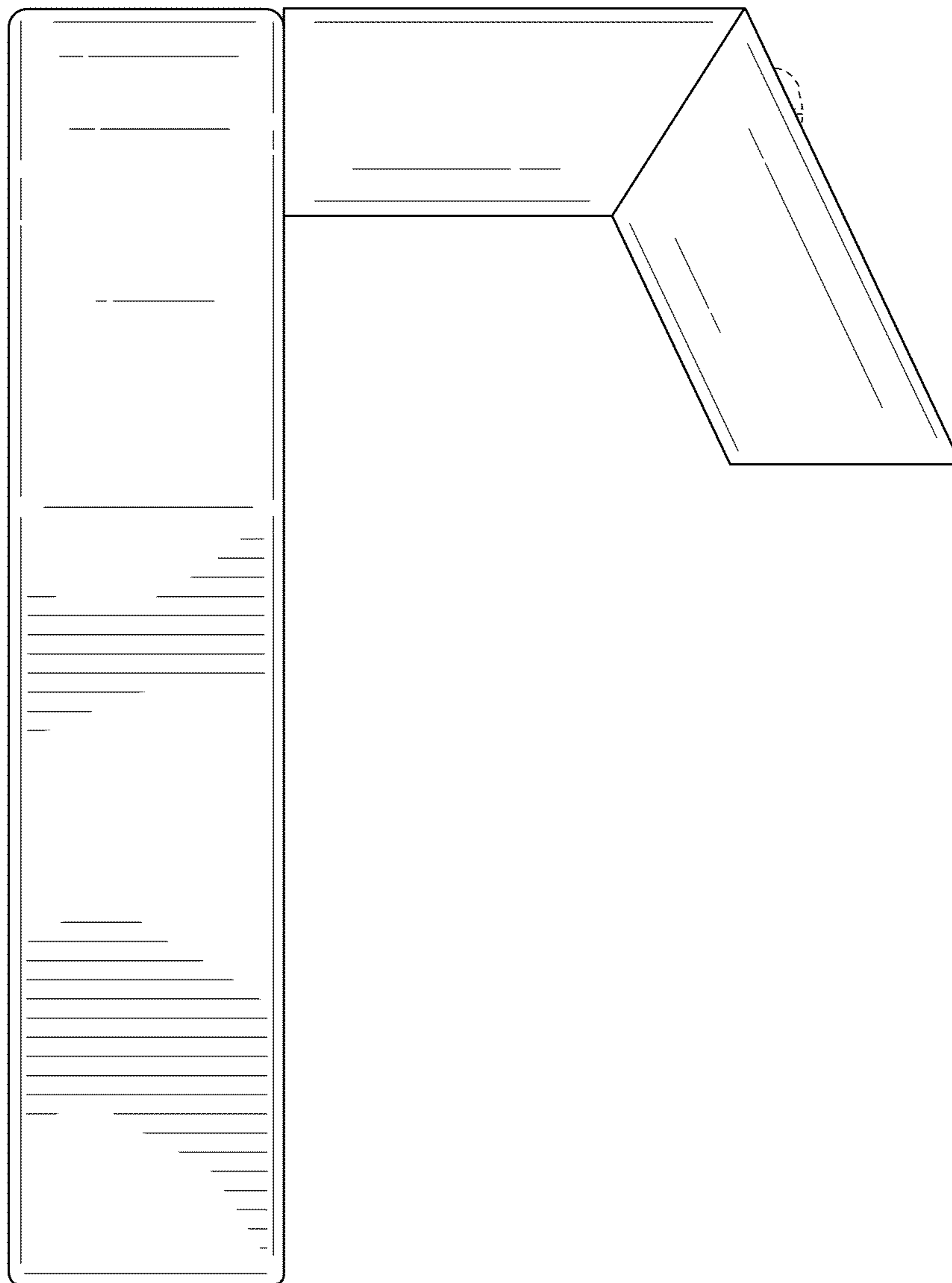
**FIG. 1**



**FIG. 2**



**FIG. 3**



**FIG. 4**

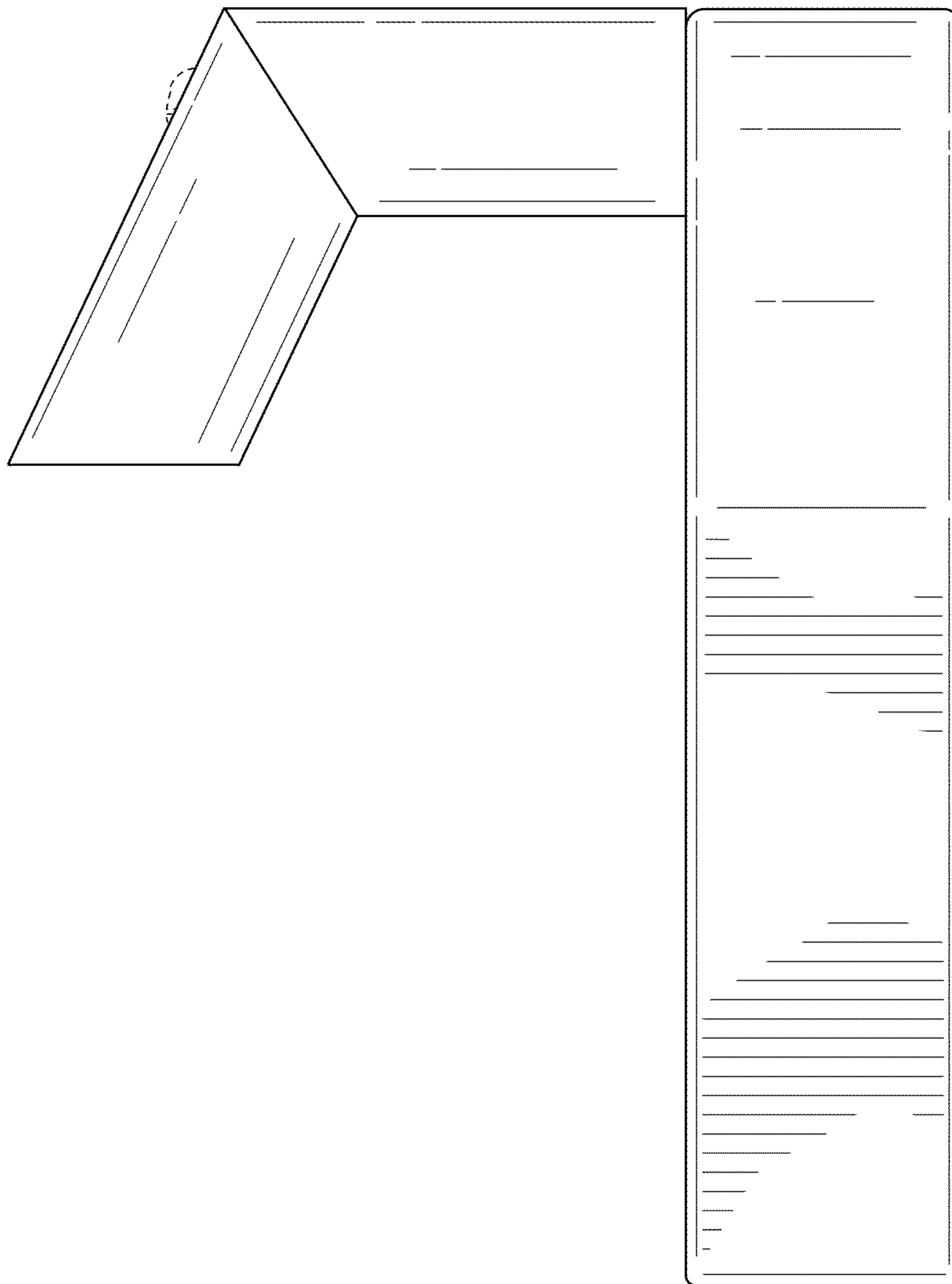
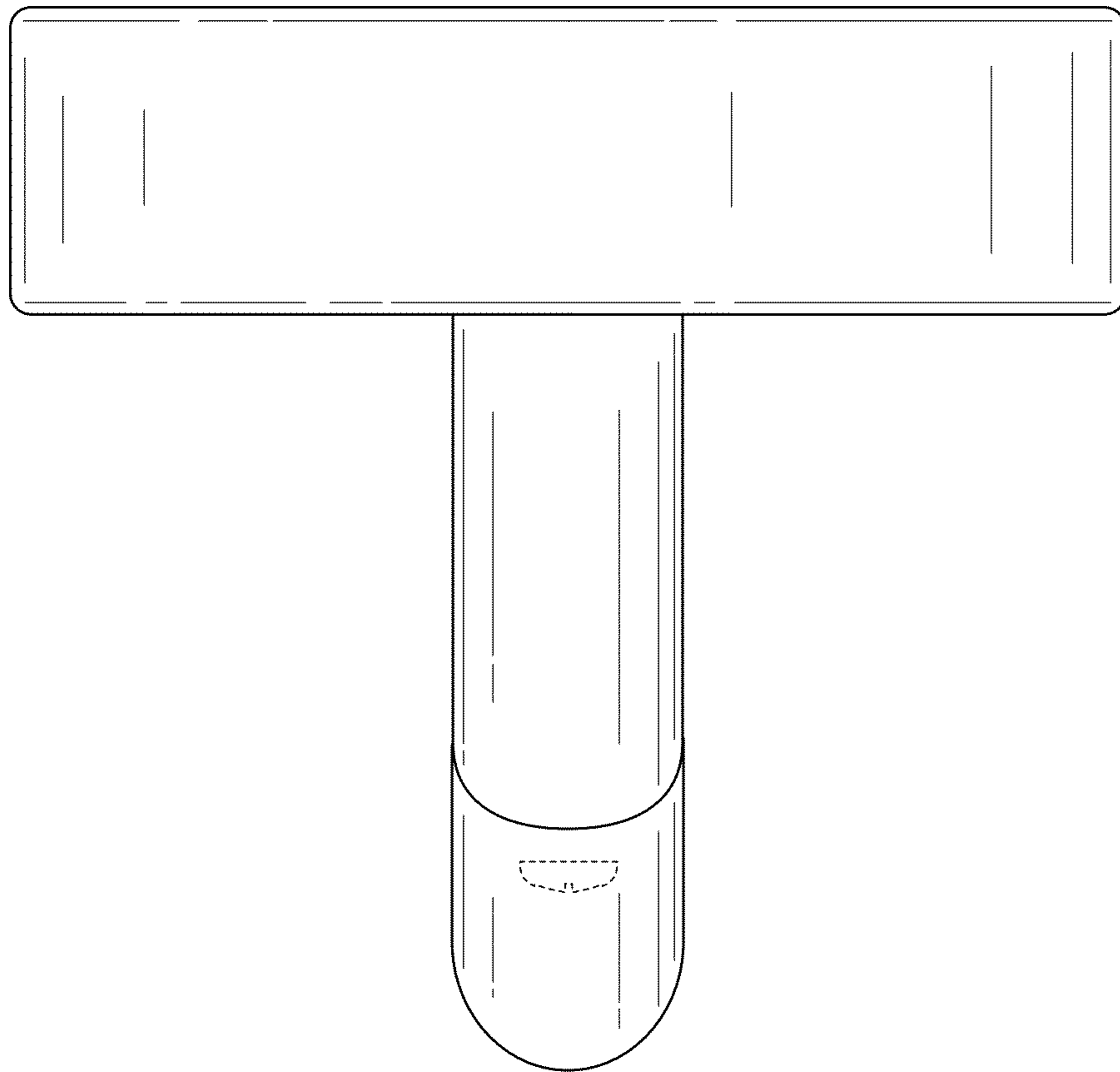
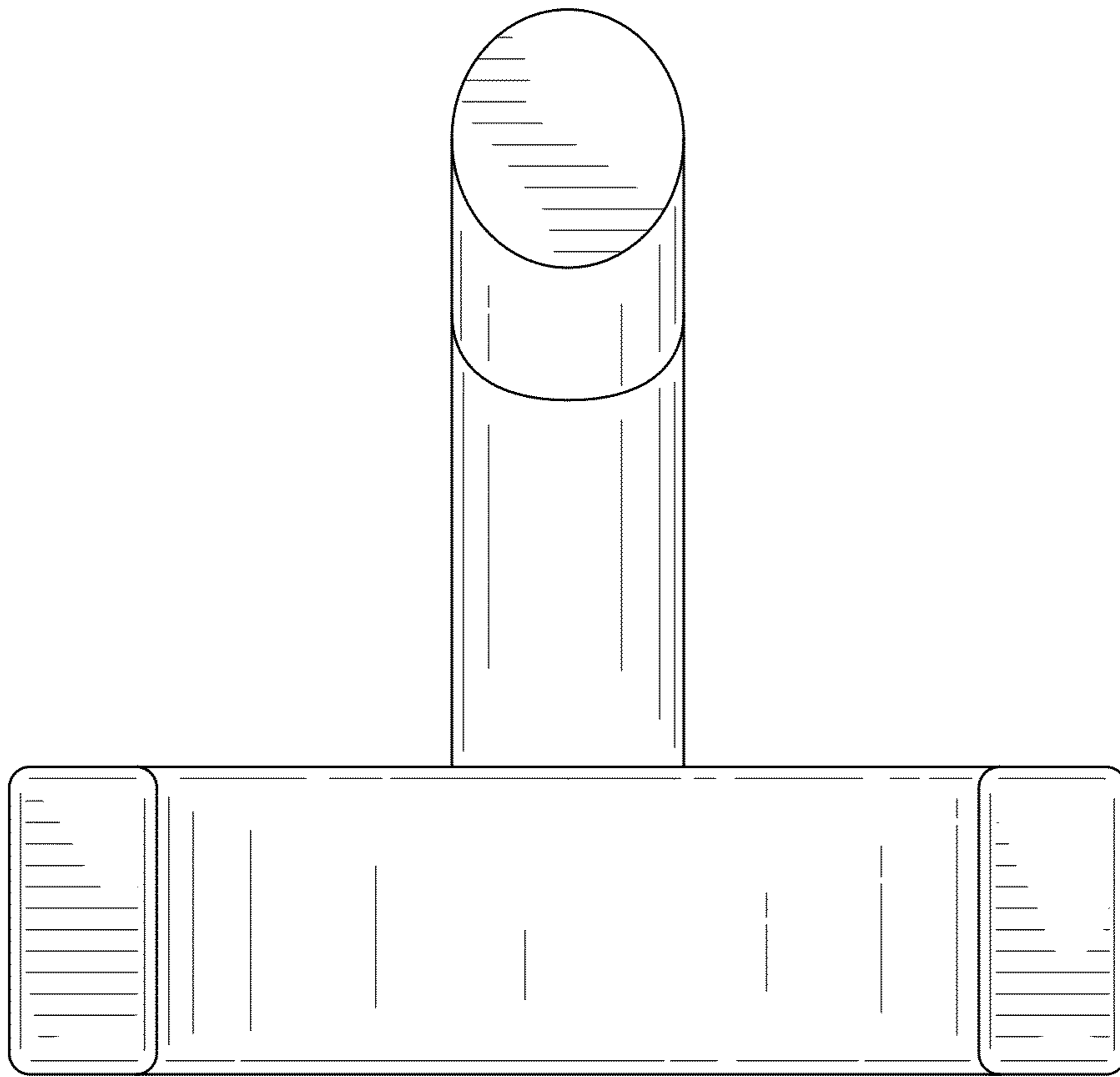


FIG. 5

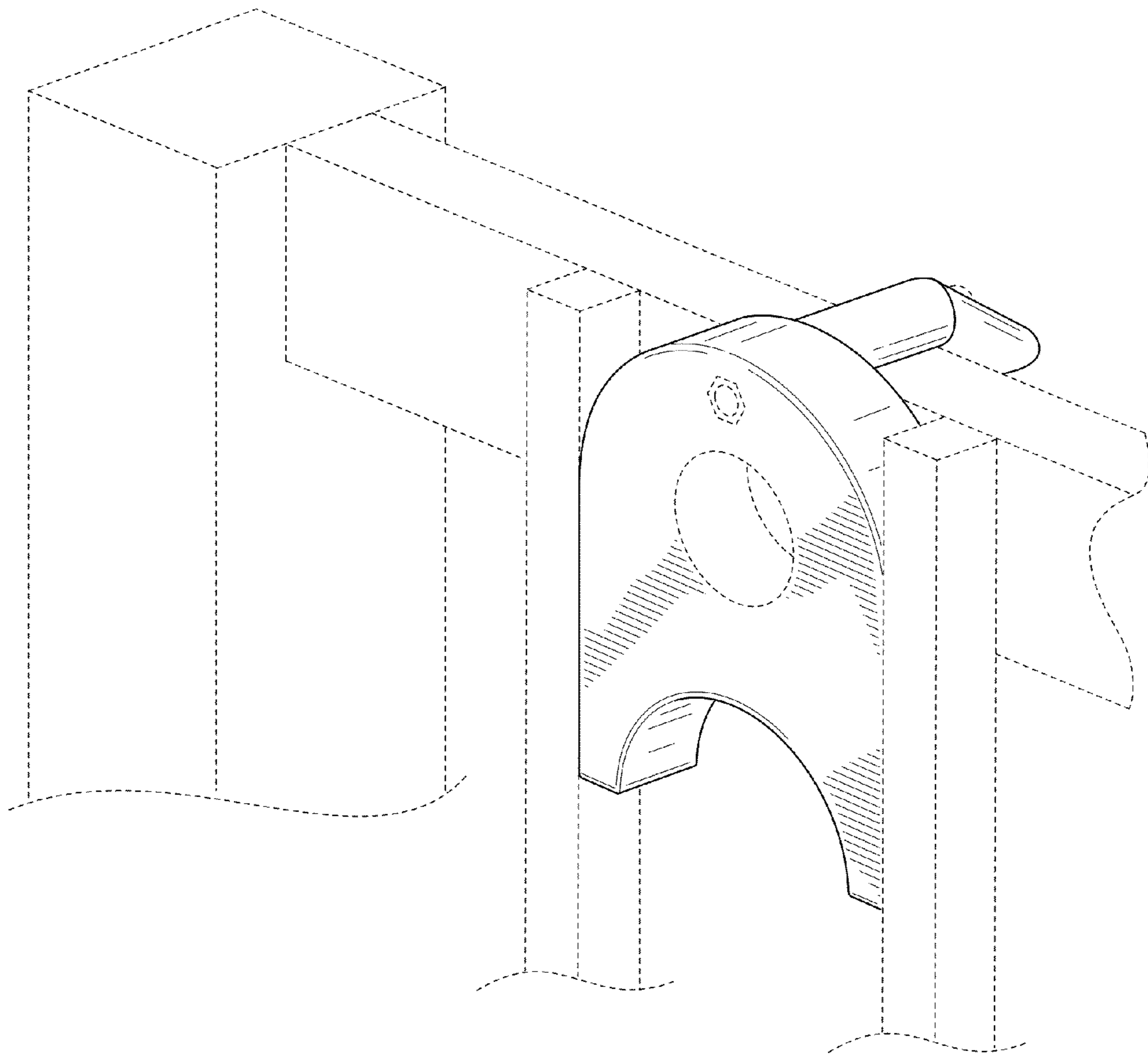


**FIG. 6**



**FIG. 7**





**FIG. 8**