



US00D754522S

(12) **United States Design Patent**  
**Wicken**

(10) **Patent No.:** **US D754,522 S**  
(45) **Date of Patent:** **\*\* Apr. 26, 2016**

(54) **LIGHT POLE BRACKET FOR HOLDING AN INFLATABLE BALLOON**

D709,203 S \* 7/2014 Shikata ..... D24/187

\* cited by examiner

(71) Applicant: **Gregg A. Wicken**, Westminster, CO (US)

*Primary Examiner* — Holly Baynham

(74) *Attorney, Agent, or Firm* — Edwin H. Crabtree; Ramon L. Pizarro

(72) Inventor: **Gregg A. Wicken**, Westminster, CO (US)

(57) **CLAIM**

The ornamental design for a light pole bracket for holding an inflatable balloon, as shown and described.

(\*\*) Term: **14 Years**

**DESCRIPTION**

(21) Appl. No.: **29/484,865**

FIG. 1 is a side view of the light pole bracket for holding a flexible rod next to a light pole, the flexible rod attached to a balloon holder cup, the balloon holder cup attached to an inflatable balloon.

(22) Filed: **Mar. 13, 2014**

FIG. 2 is an enlarged front perspective view of the light pole bracket for mounting on the light pole and attaching to the flexible rod shown in FIG. 1.

(51) **LOC (10) Cl.** ..... **08-05**

(52) **U.S. Cl.**  
USPC ..... **D8/349**

FIG. 3 is a side perspective view of the light pole bracket for the mounting on the light pole.

(58) **Field of Classification Search**  
USPC ..... D8/349  
CPC ..... A47F 5/00; A47H 1/10; A47G 29/00;  
A47G 29/08; A47B 97/00; A47B 47/00  
See application file for complete search history.

FIG. 4 is an opposite side perspective view of the light pole bracket for mounting on the light pole; and,

FIG. 5 is a top perspective view of the light pole bracket for mounting on the light pole.

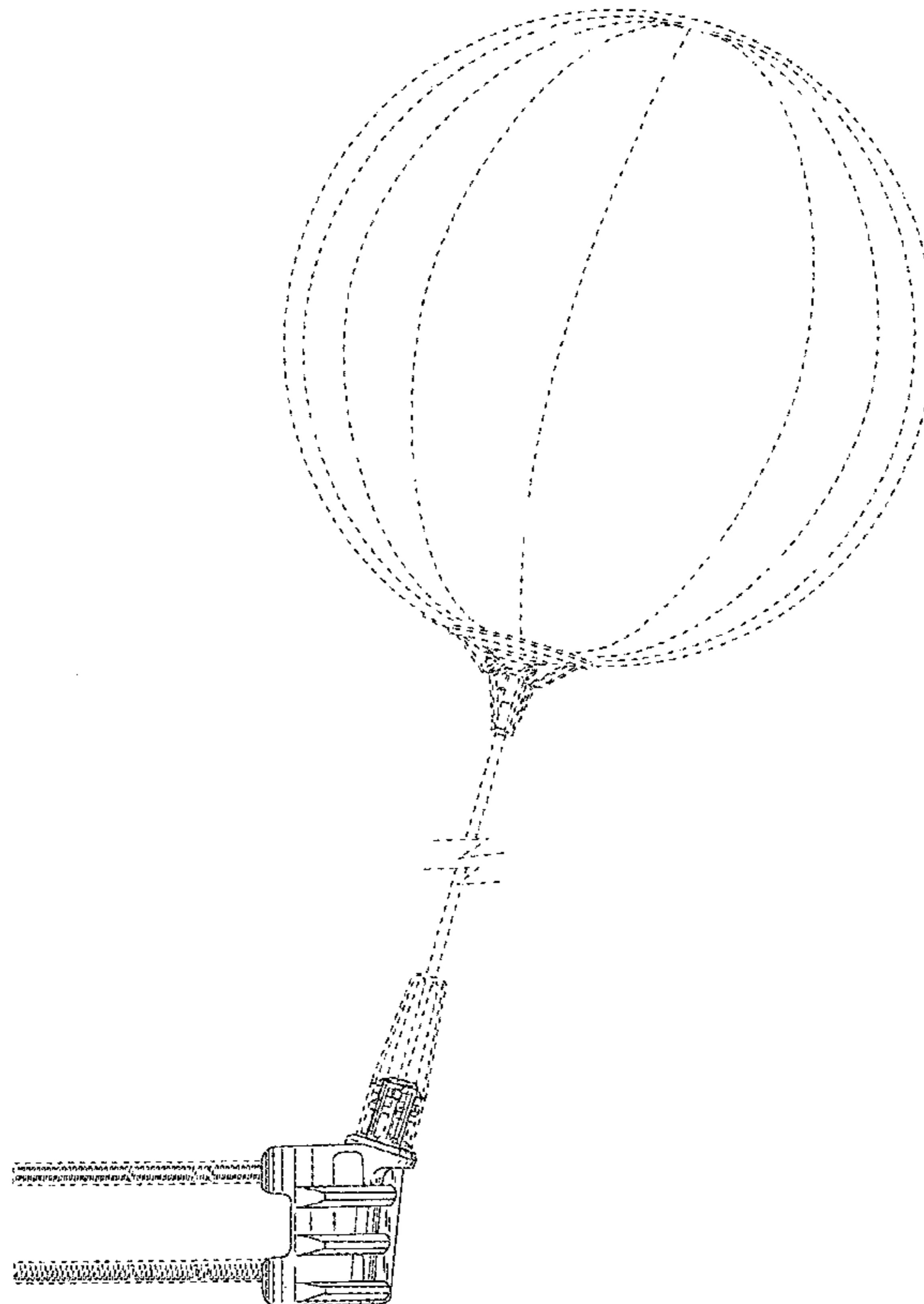
The broken lines showing a light pole, light pole mounting straps, a flexible rod, a balloon holder cup and an inflatable balloon in FIG. 1 illustrate environmental matter and form no part of the claimed design.

(56) **References Cited**

**U.S. PATENT DOCUMENTS**

D464,557 S	*	10/2002	Alejandro	.....	D8/349
D556,017 S	*	11/2007	Hutter, III	.....	D8/354
D565,395 S	*	4/2008	Moore	.....	D8/354

**1 Claim, 3 Drawing Sheets**



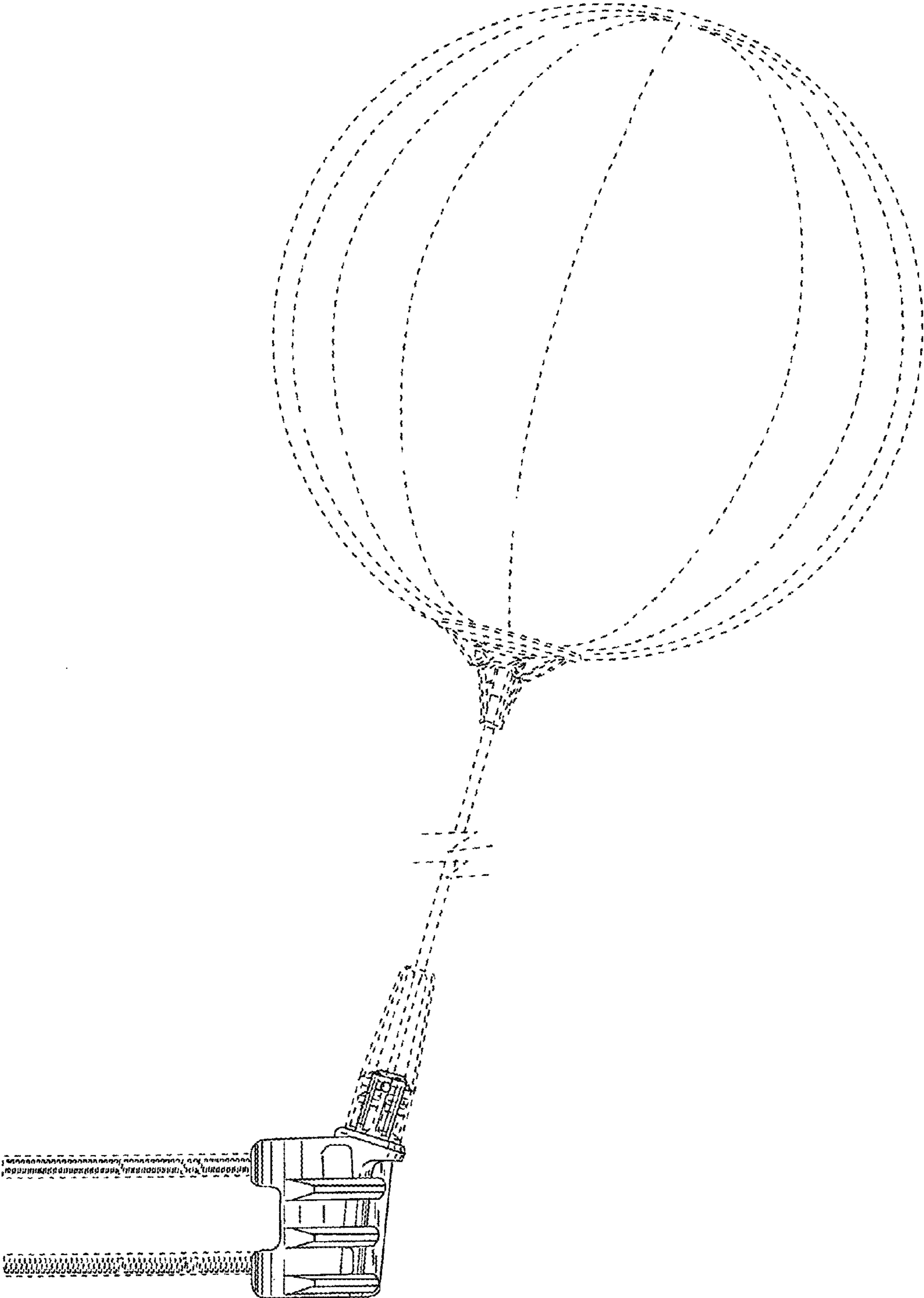


FIG. 1

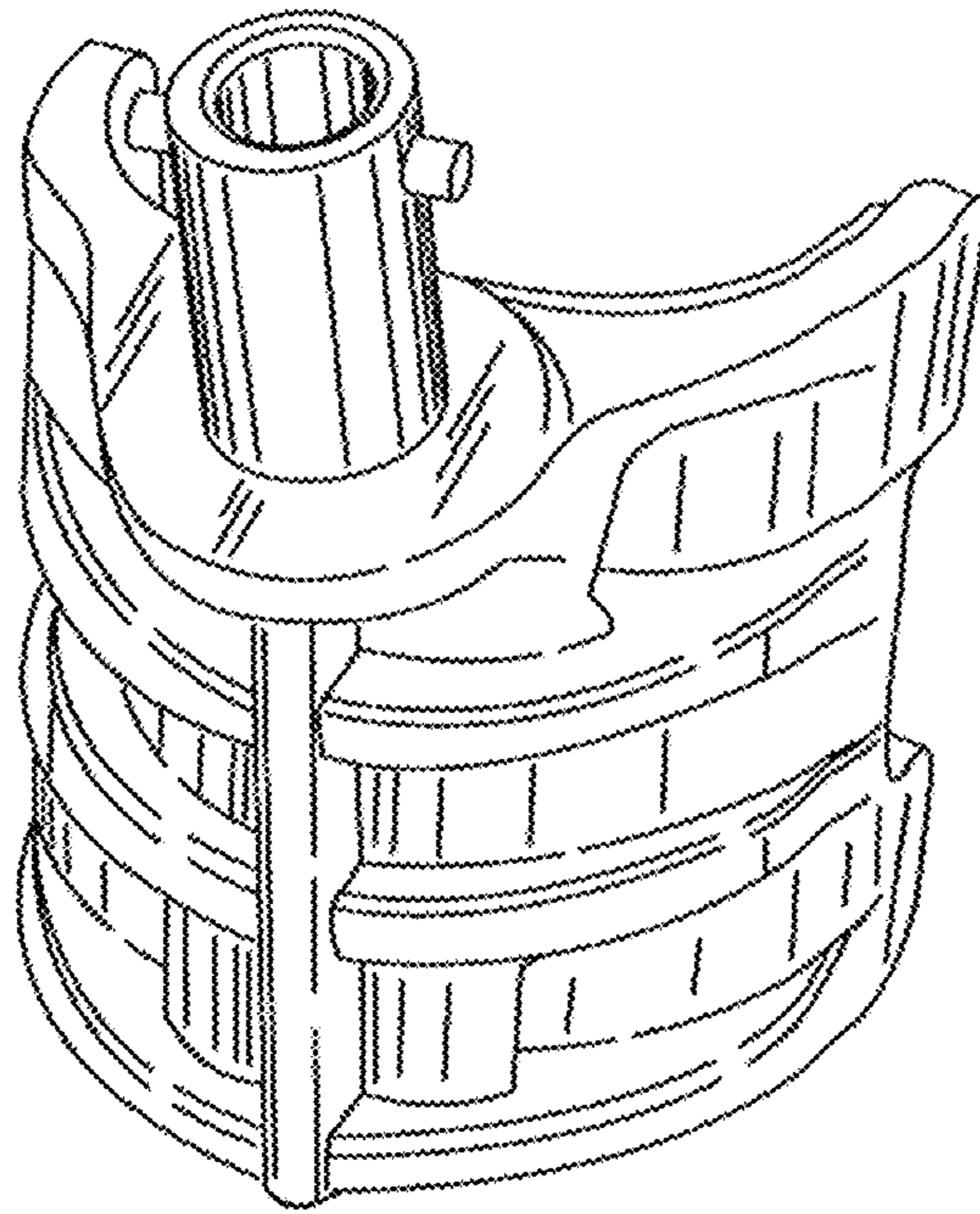


FIG. 2

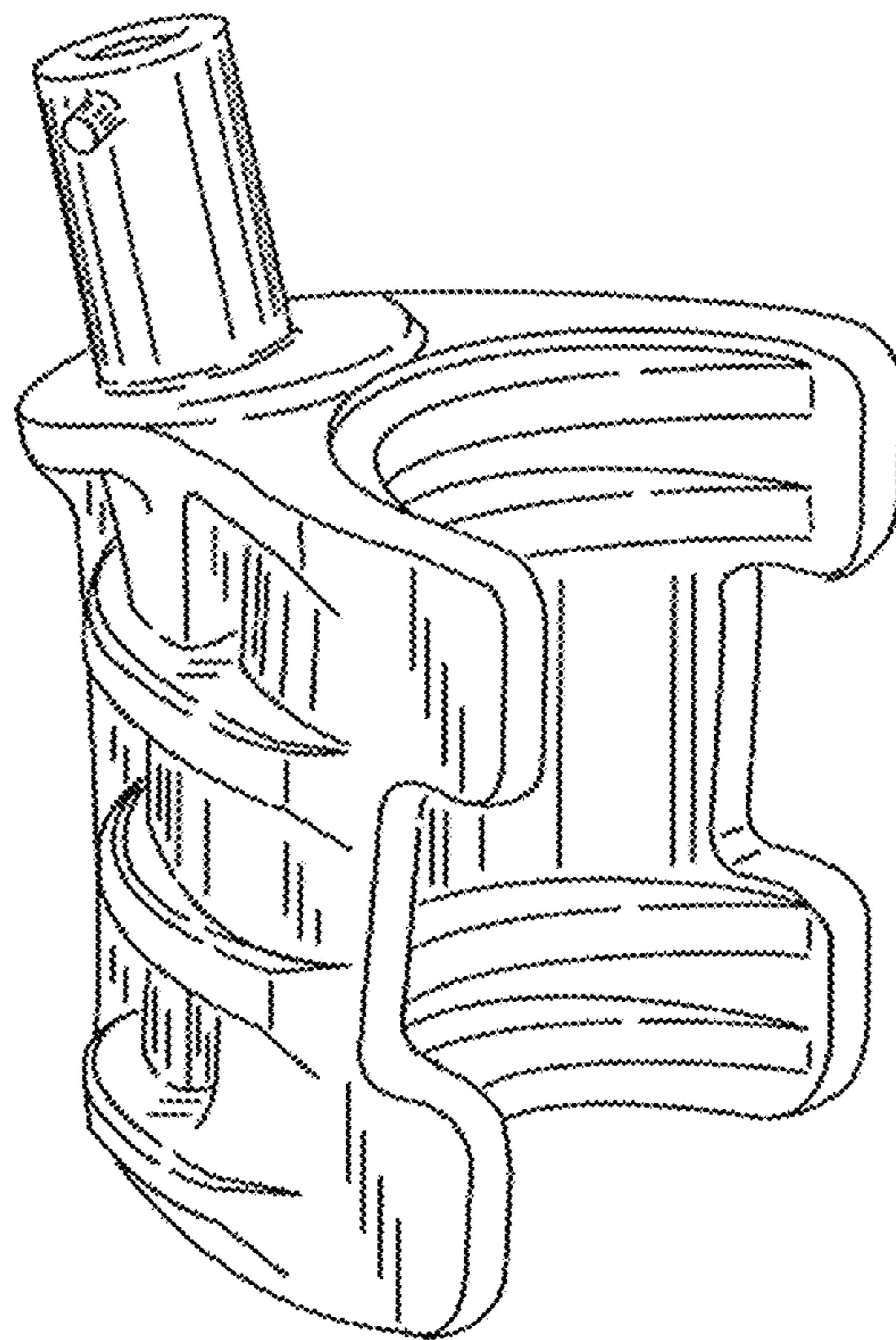


FIG. 3

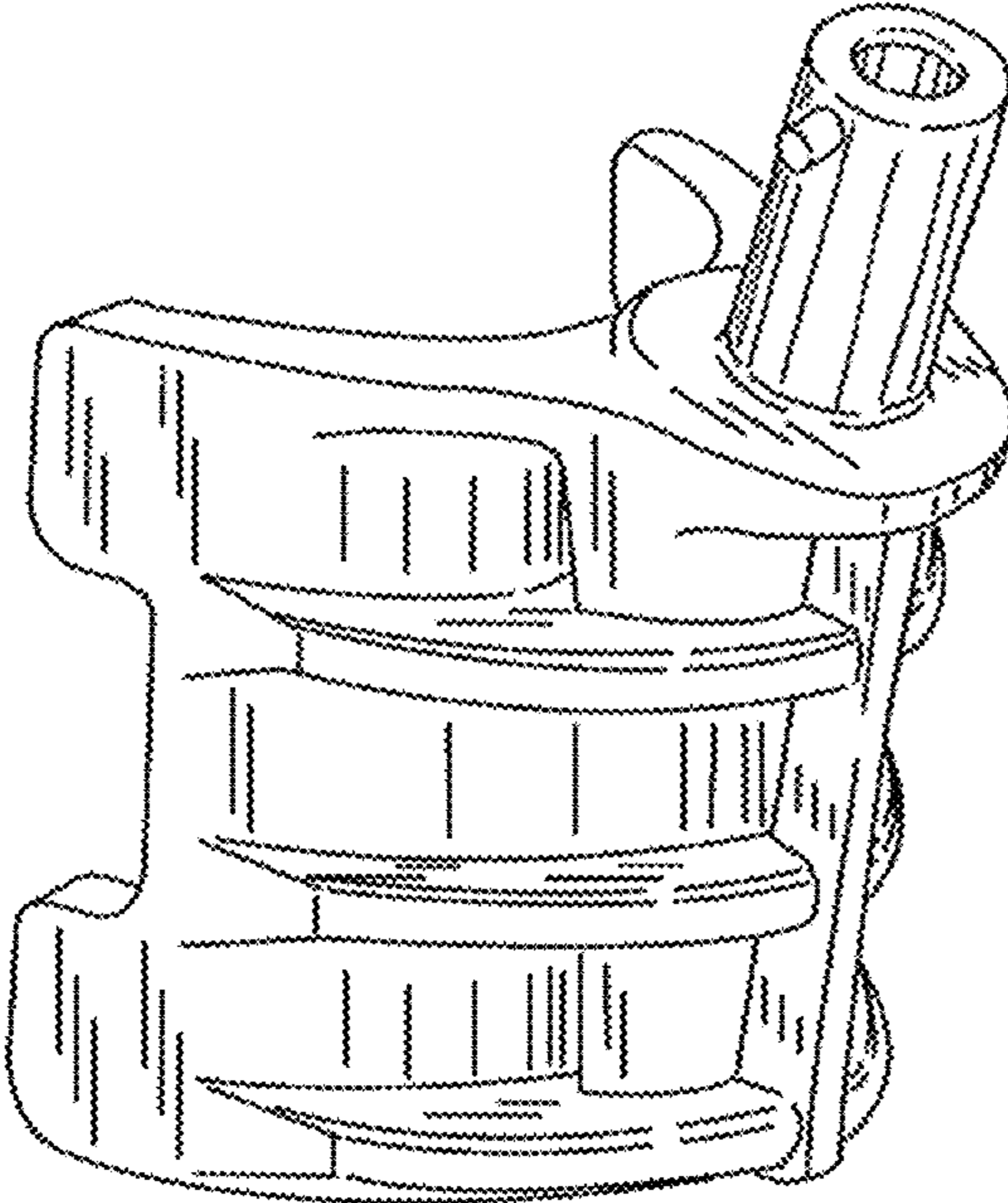


FIG. 4

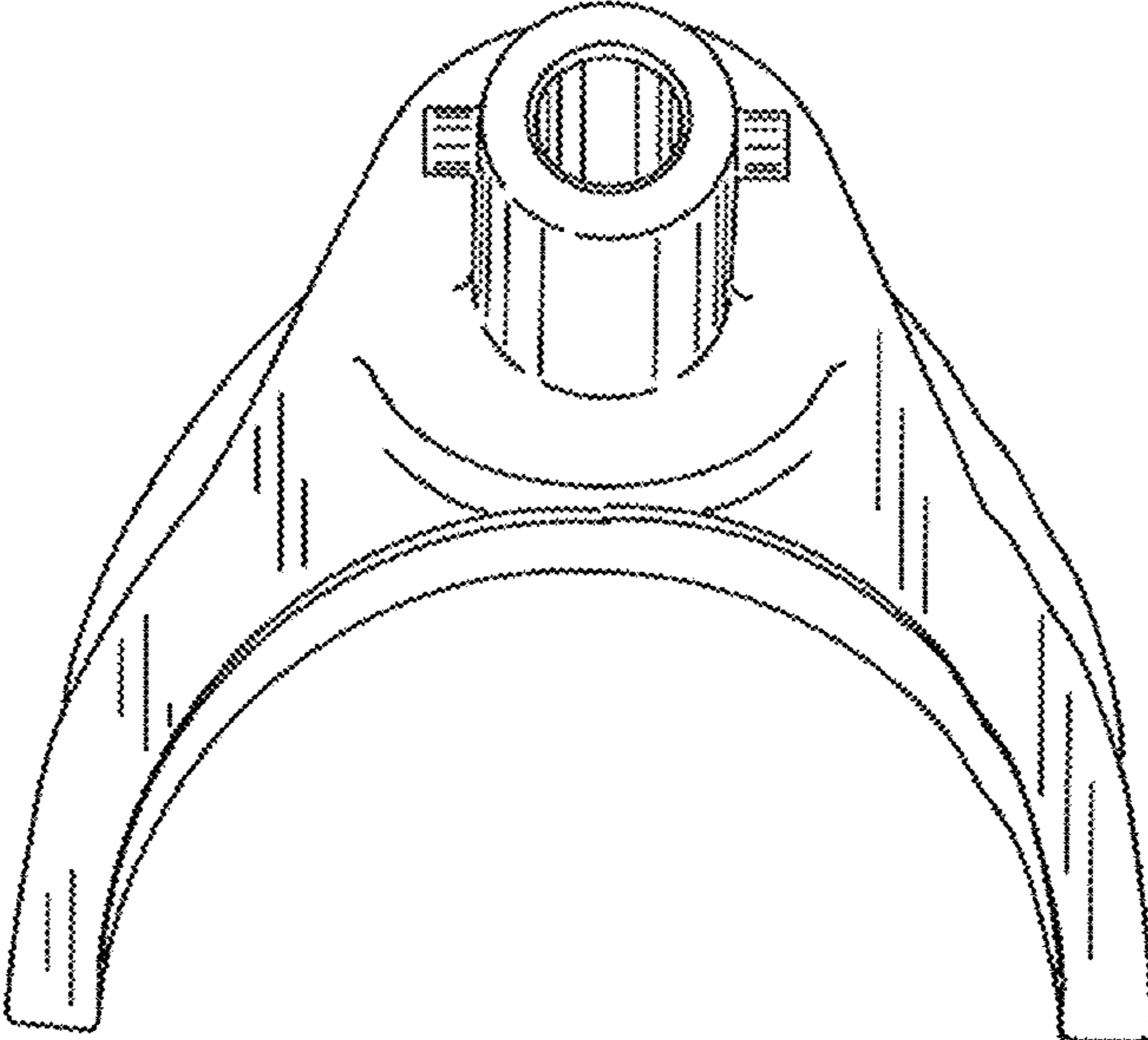


FIG. 5