



US00D754520S

(12) **United States Design Patent**
Paik et al.

(10) **Patent No.:** **US D754,520 S**
(45) **Date of Patent:** **** Apr. 26, 2016**

(54) **BELT STRAP LOCK**
(71) Applicant: **WOJIN PLASTIC CO., LTD,**
Gyeonggi-do (KR)
(72) Inventors: **Jisook Paik**, Seoul (KR); **Nan Hee Paik**,
Seoul (KR); **Ji Hye Paik**, Seoul (KR); **Ji**
Won Son, Seoul (KR)
(73) Assignee: **Woojin Plastic Co., Ltd.**, Gyeonggi-Do
(KR)
(**) Term: **14 Years**
(21) Appl. No.: **29/513,595**
(22) Filed: **Jan. 2, 2015**

5,572,771 A * 11/1996 Kelleghan A44B 11/12
24/170
5,669,253 A * 9/1997 Higgins E05B 37/14
70/14
D496,247 S * 9/2004 Roach D8/339
6,912,879 B1 * 7/2005 Yu E05B 35/105
70/284
7,240,407 B2 * 7/2007 Kawai A44B 11/2523
24/640
7,424,813 B2 * 9/2008 Wu E05B 37/0034
70/18
7,497,102 B2 * 3/2009 Yu A44B 11/263
70/284
D595,183 S * 6/2009 Nelson D11/212
D658,036 S * 4/2012 Fong D8/330
8,474,113 B2 * 7/2013 Badrenas Buscart
A44B 11/266
24/593.11

* cited by examiner

(30) **Foreign Application Priority Data**
Jul. 8, 2014 (KR) 30-2014-0033317
(51) **LOC (10) Cl.** **08-07**
(52) **U.S. Cl.**
USPC **D8/339**
(58) **Field of Classification Search**
USPC D8/330, 331, 339, 343, 344, 349, 382,
D8/387, 394, 499; 70/14, 16, 38 R, 51, 52,
70/431, 69-76; 292/137, 256, 282, 283,
292/292; 24/31 R, 68 R, 69 ST, 194-200,
24/591.1, 629, 640, 265 R, DIG. 47,
24/DIG. 48
CPC A44B 11/10; A44B 11/25
See application file for complete search history.

Primary Examiner — Prabhakar Deshmukh
(74) *Attorney, Agent, or Firm* — Jordan and Hamburg LLP

(56) **References Cited**
U.S. PATENT DOCUMENTS
4,604,772 A * 8/1986 Arff A44B 11/125
24/170

(57) **CLAIM**
The ornamental design for a belt strap lock, as shown and
described.

DESCRIPTION

FIG. 1 is a perspective view of a belt strap lock, showing our
new design;
FIG. 2 is a front elevational view thereof;
FIG. 3 is a rear elevational view thereof;
FIG. 4 is a left side elevational view thereof;
FIG. 5 is a right side elevational view thereof;
FIG. 6 is a top plan view thereof;
FIG. 7 is a bottom plan view thereof; and,
FIG. 8 is a sectional view taken along line A-A of FIG. 2.

1 Claim, 2 Drawing Sheets

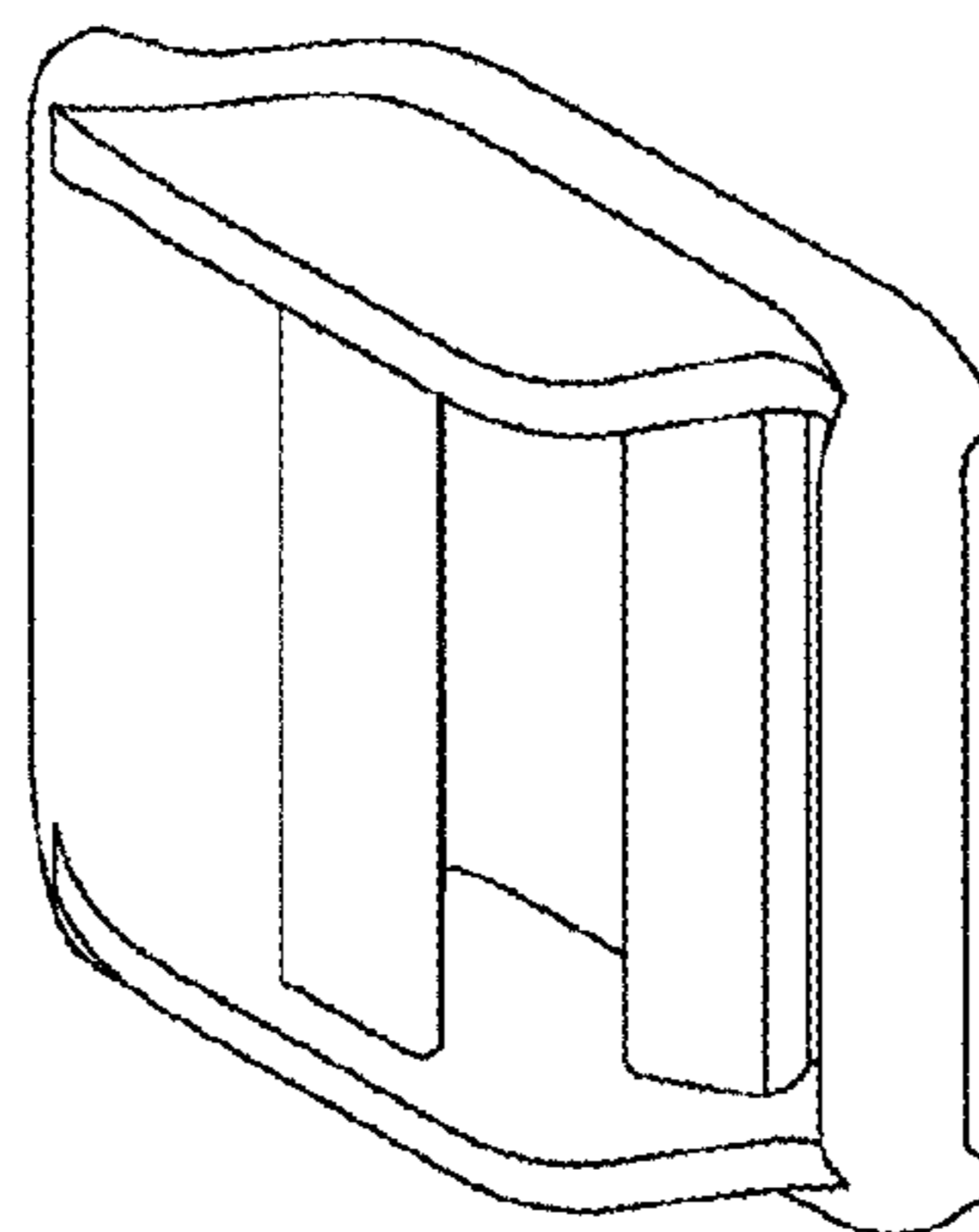


FIG.1

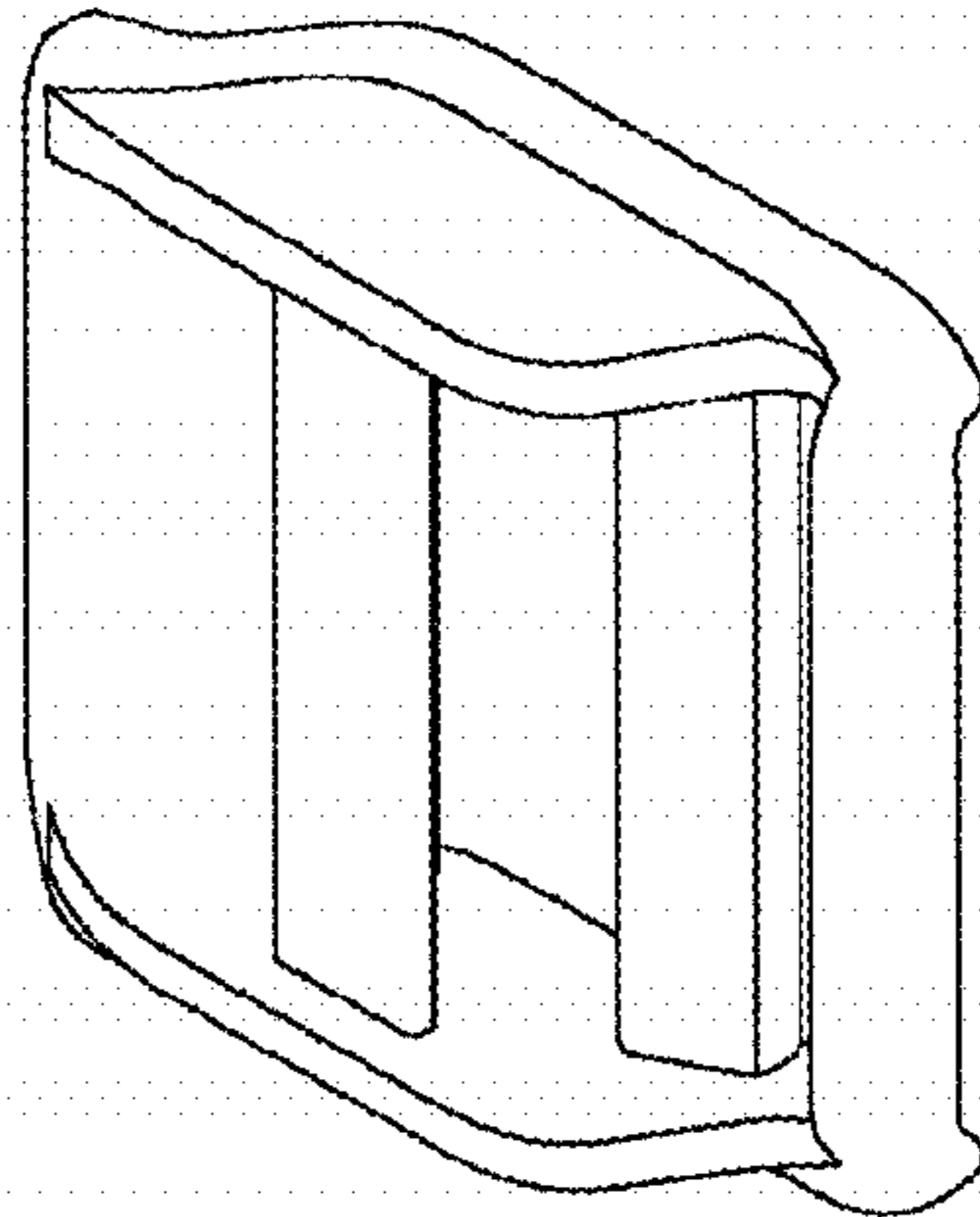


FIG.2

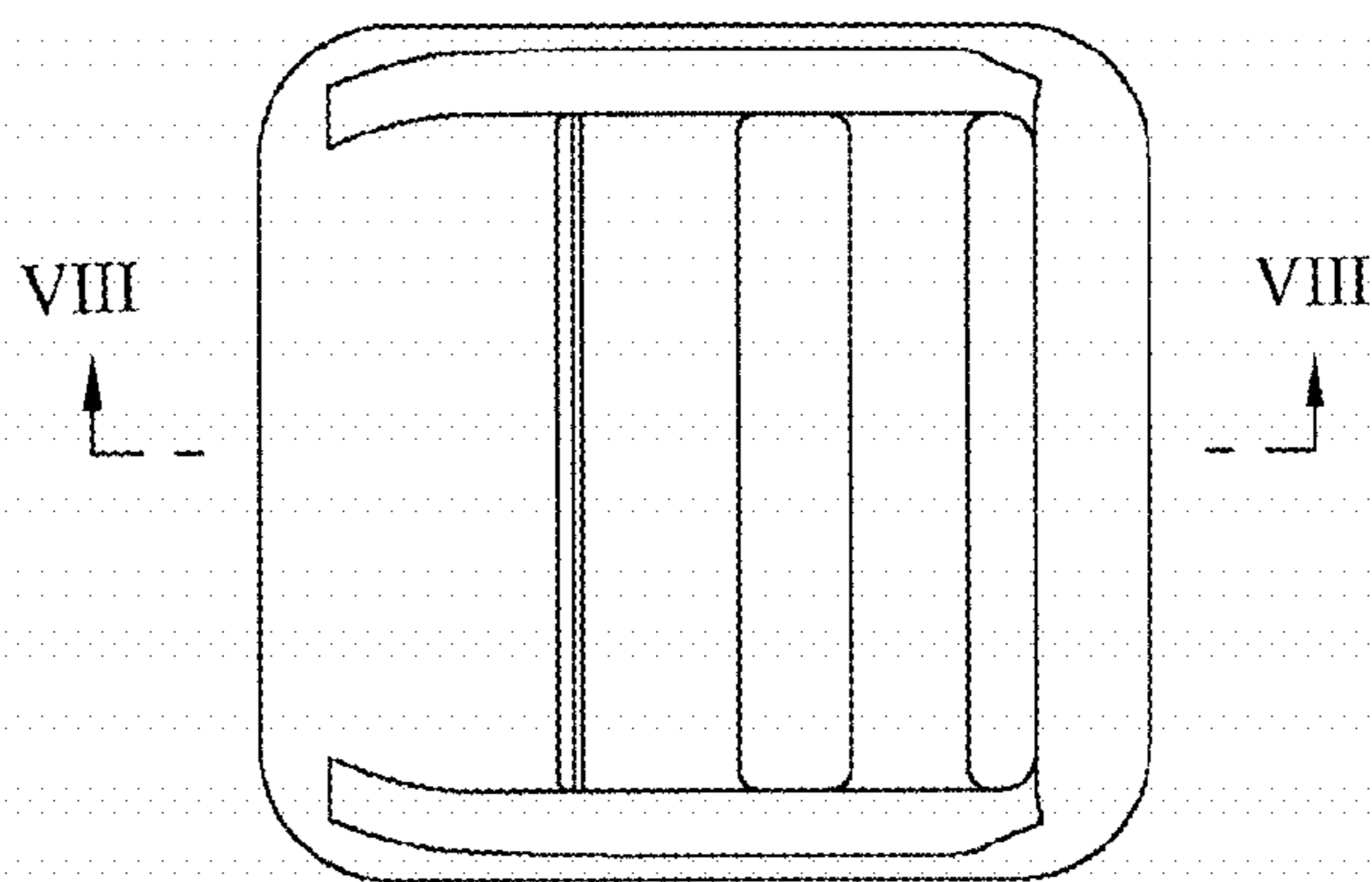


FIG.3

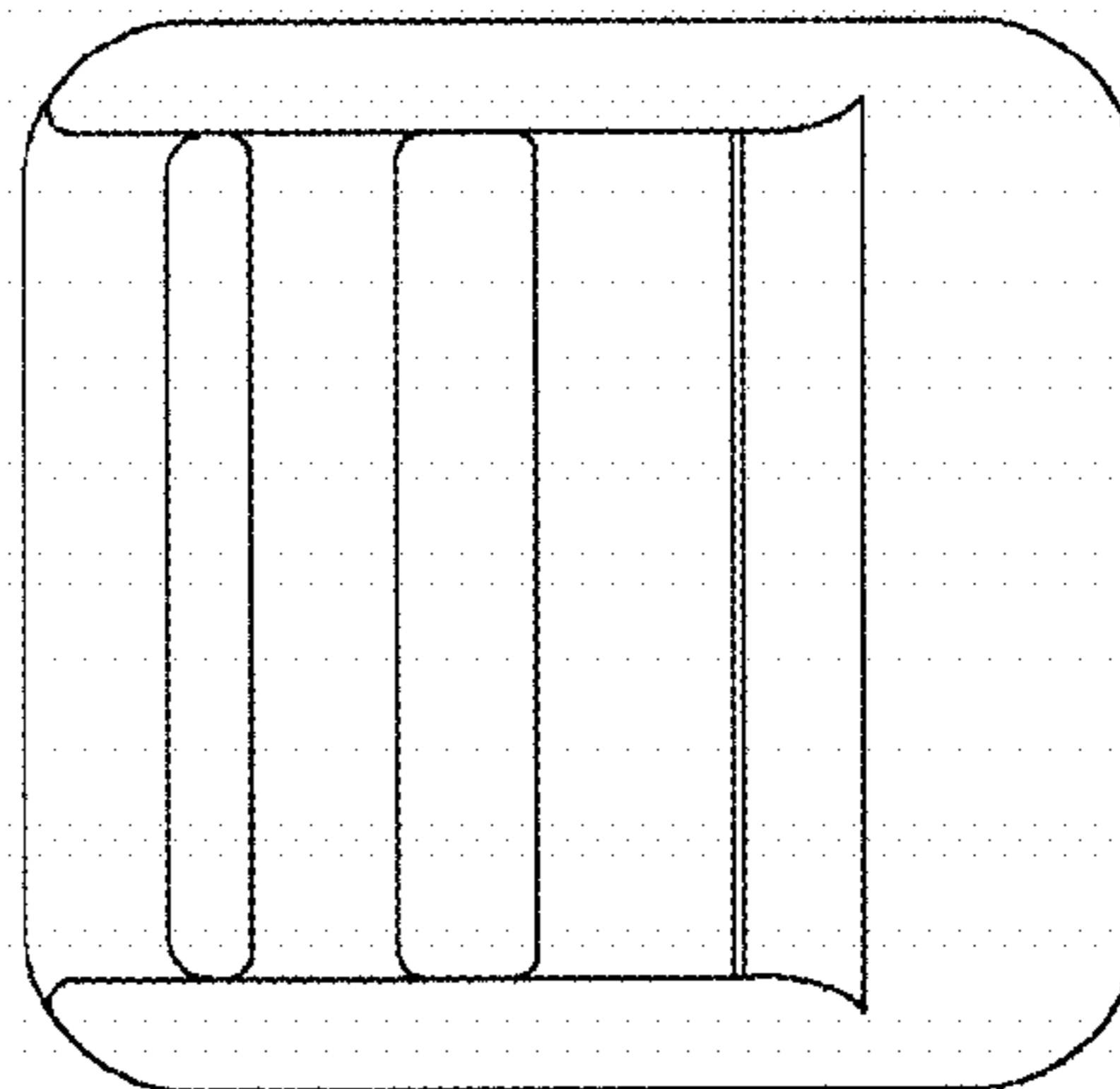


FIG.4

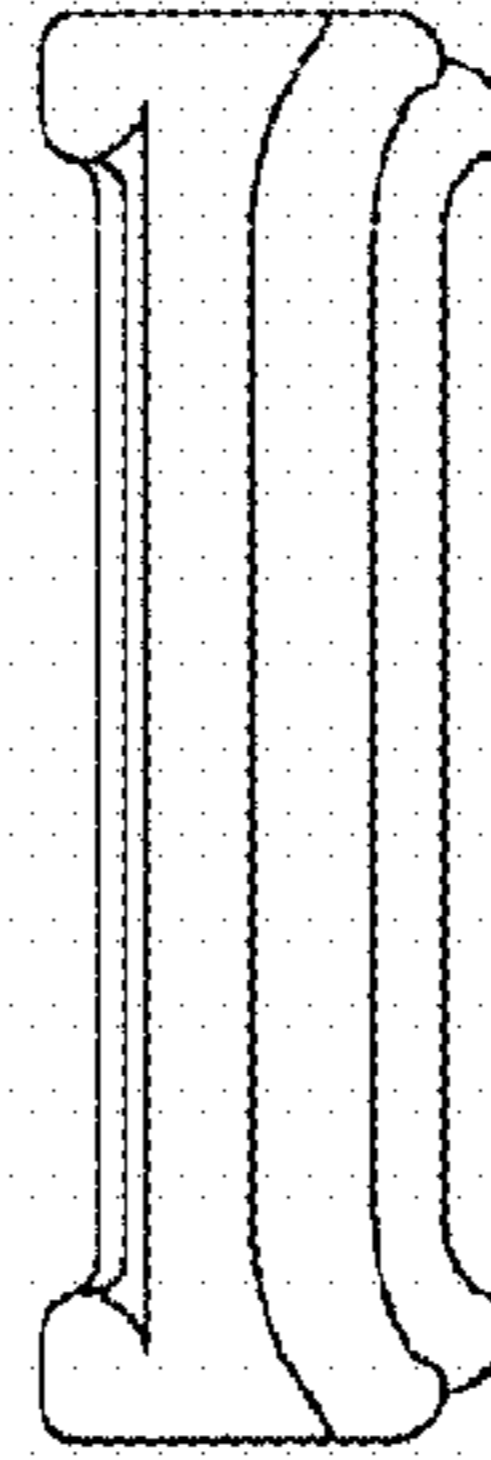


FIG.5

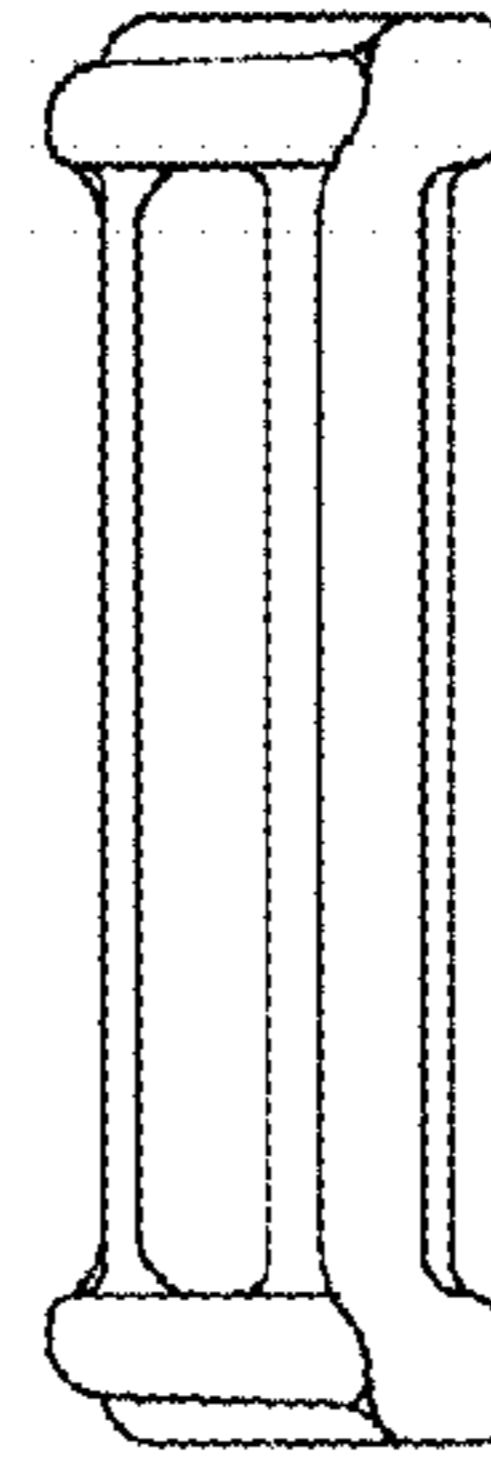


FIG.6

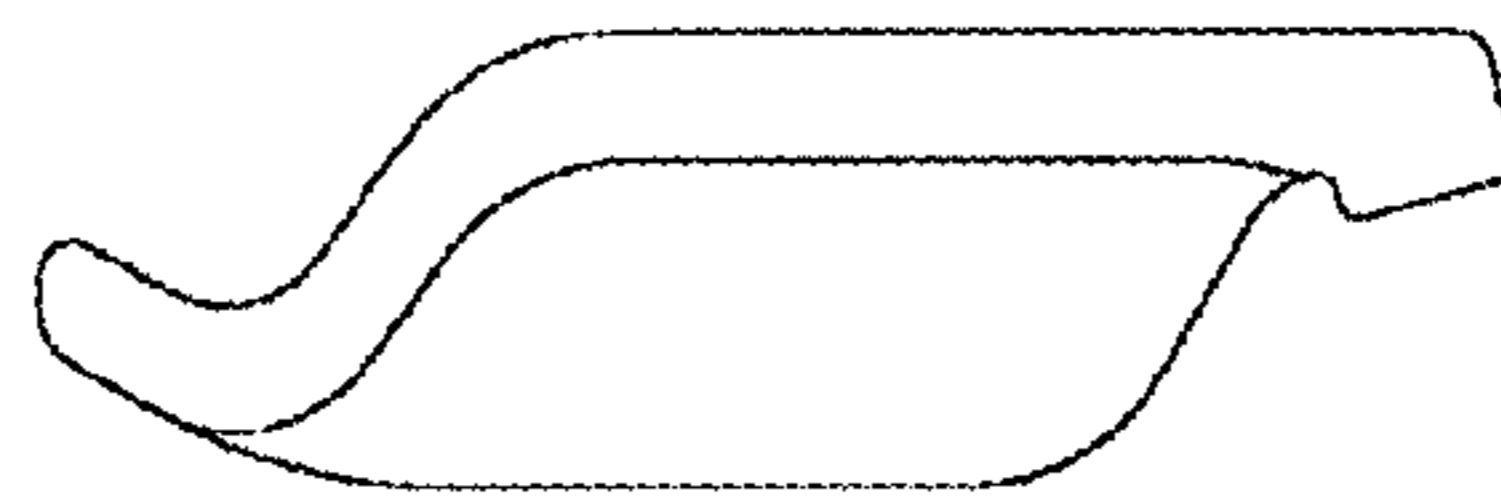


FIG.7



FIG.8

