



US00D754519S

(12) **United States Design Patent**
Porath

(10) **Patent No.:** **US D754,519 S**
(45) **Date of Patent:** **** Apr. 26, 2016**

- (54) **LOCK MECHANISM**
- (71) Applicant: **Gadi Porath**, Kiryat Tivon (IL)
- (72) Inventor: **Gadi Porath**, Kiryat Tivon (IL)
- (**) Term: **14 Years**
- (21) Appl. No.: **29/514,549**
- (22) Filed: **Jan. 14, 2015**
- (51) **LOC (10) Cl.** **08-07**
- (52) **U.S. Cl.**
USPC **D8/331; D8/343**
- (58) **Field of Classification Search**
USPC D8/330, 331, 332, 334, 339, 343;
70/14, 20-22, 57, 57.1, 58, 163, 174,
70/179, 180, 266, 431, 447, 448, 449, 141,
70/164, 177, 211, 252, 258, 278.7, 317,
70/320, 322, 326, 333 R; 248/551, 553;
439/304
CPC E05B 9/00; E05B 9/002; E05B 9/02;
E05B 2009/004; E05B 15/00; E05B 17/00
See application file for complete search history.

- D492,184 S * 6/2004 Parker D8/331
- 7,216,903 B1 * 5/2007 Kent E05B 13/002
292/288
- D577,571 S * 9/2008 Stevens D8/343
- D583,216 S * 12/2008 Wolf D8/331
- D646,146 S * 10/2011 Stuckey D8/331
- D649,014 S * 11/2011 Stuckey D8/343
- D685,251 S * 7/2013 Porat D8/331
- D697,386 S * 1/2014 Dooley D8/343
- 9,039,089 B2 * 5/2015 Ohba B60N 2/2352
297/335
- D732,924 S * 6/2015 Strydom D8/331

* cited by examiner

Primary Examiner — Prabhakar Deshmukh
(74) *Attorney, Agent, or Firm* — JMB Davis Ben-David

(56) **References Cited**

U.S. PATENT DOCUMENTS

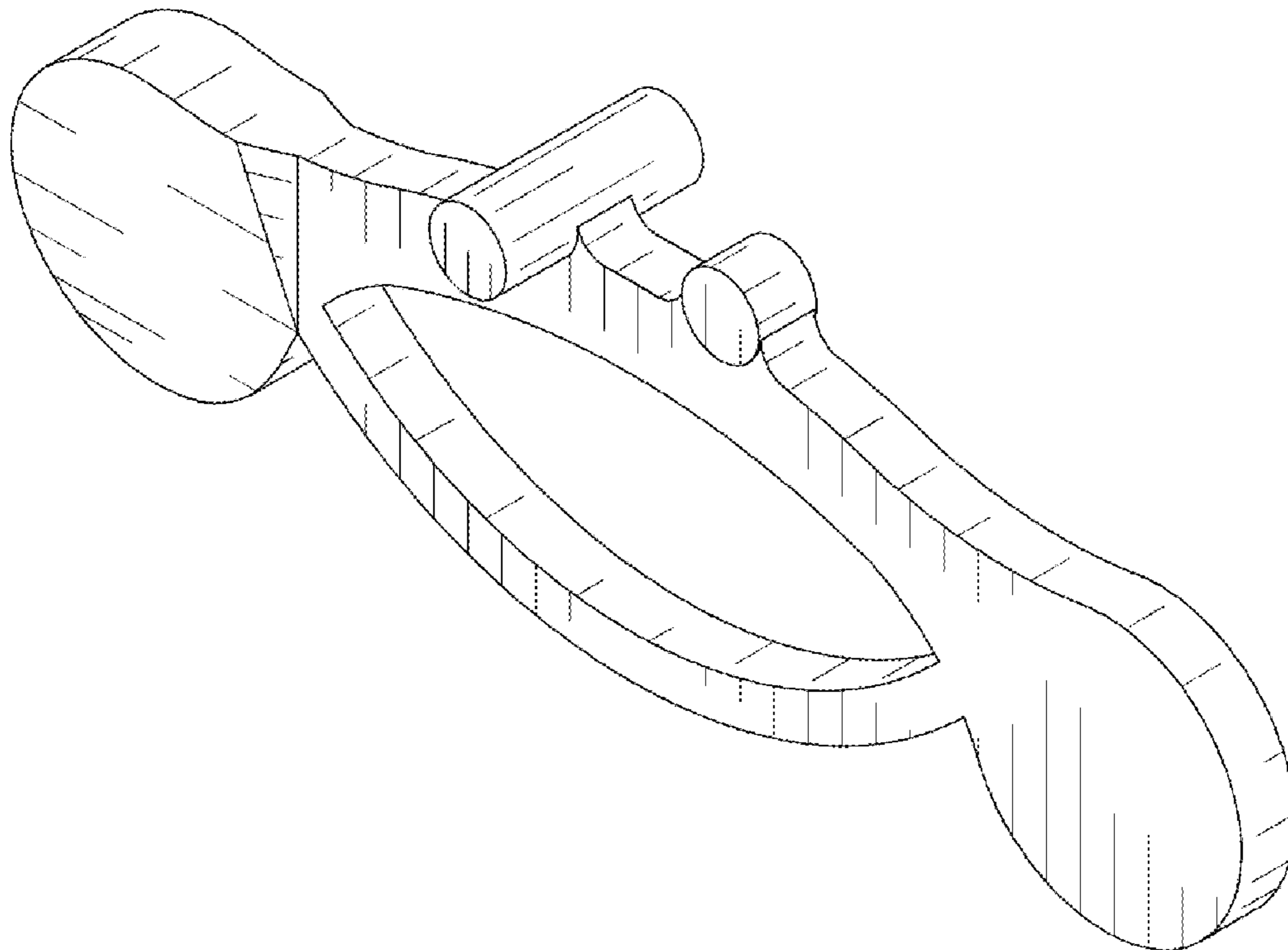
- 3,889,497 A * 6/1975 Tuttle E05B 35/08
70/14
- 5,829,801 A * 11/1998 Tindall E05B 7/00
292/170

(57) **CLAIM**
The ornamental design for a lock mechanism, as shown and described.

DESCRIPTION

FIG. 1 is a perspective view of a lock mechanism;
FIG. 2 is a front view thereof;
FIG. 3 is a rear view thereof;
FIG. 4 is a left side view thereof;
FIG. 5 is a right side view thereof;
FIG. 6 is a top view thereof; and,
FIG. 7 is a bottom view thereof.

1 Claim, 4 Drawing Sheets



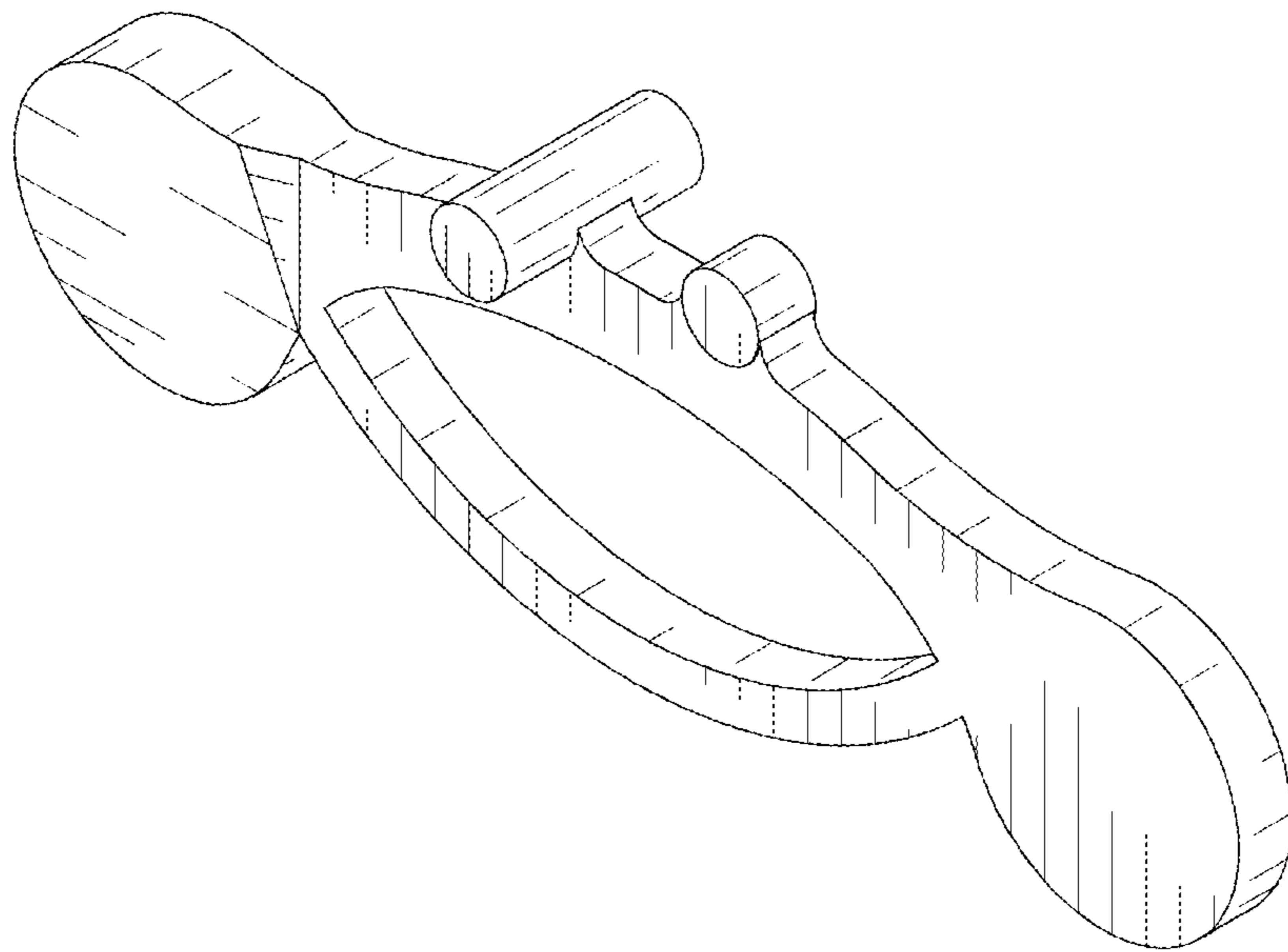


FIG.1

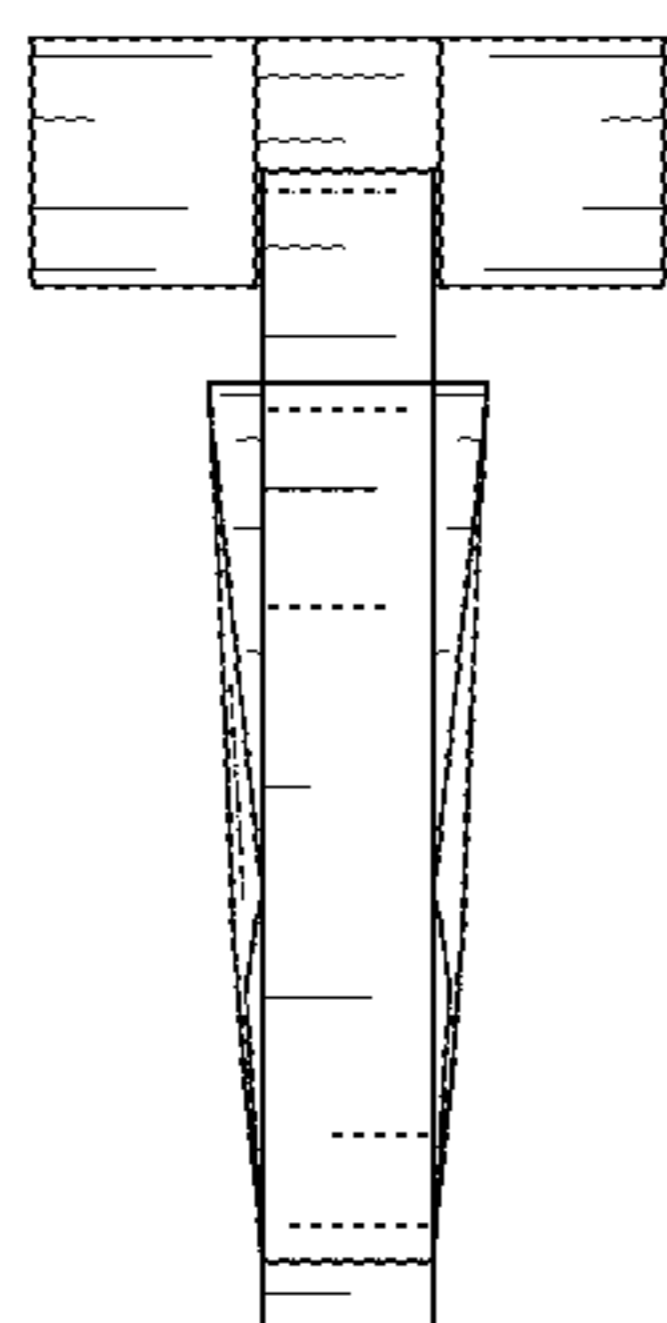


FIG. 2

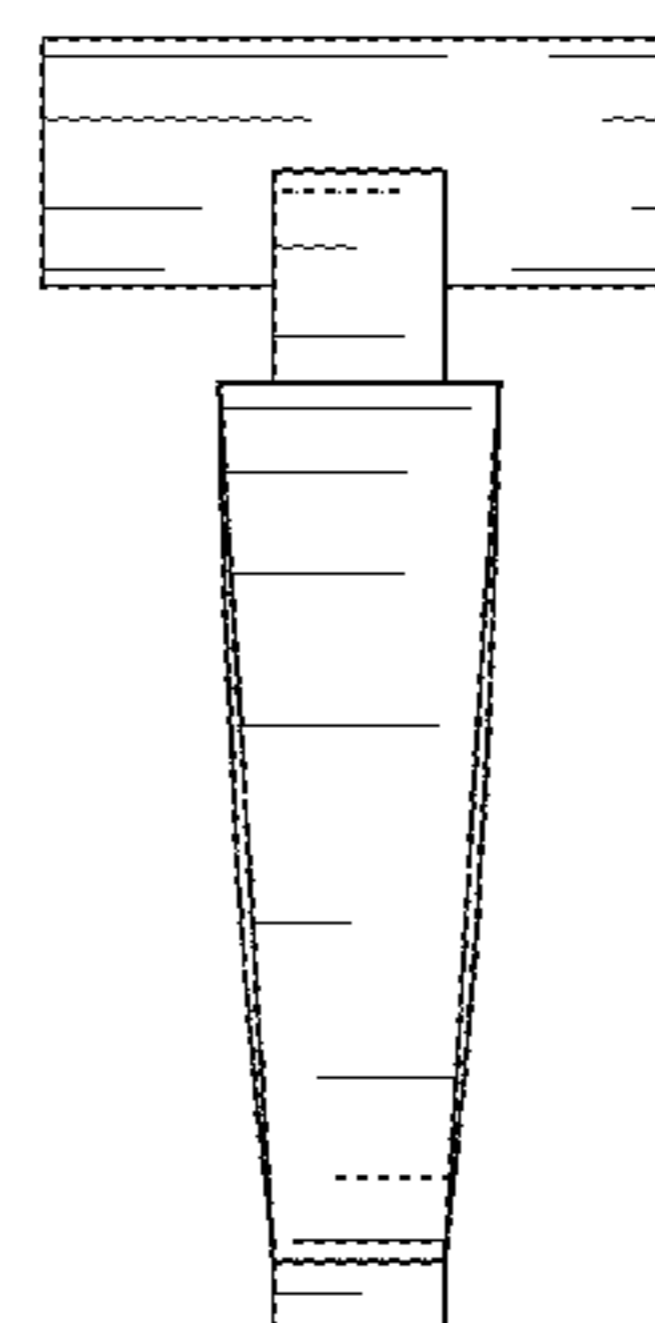


FIG. 3

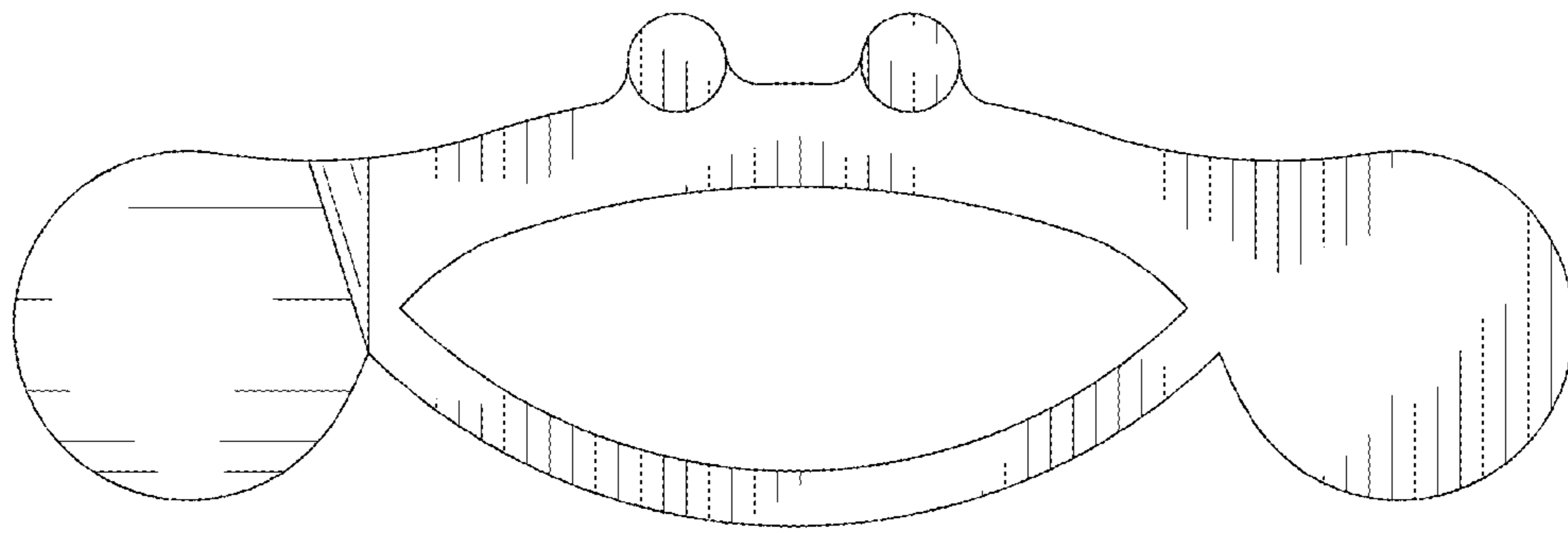


FIG. 4

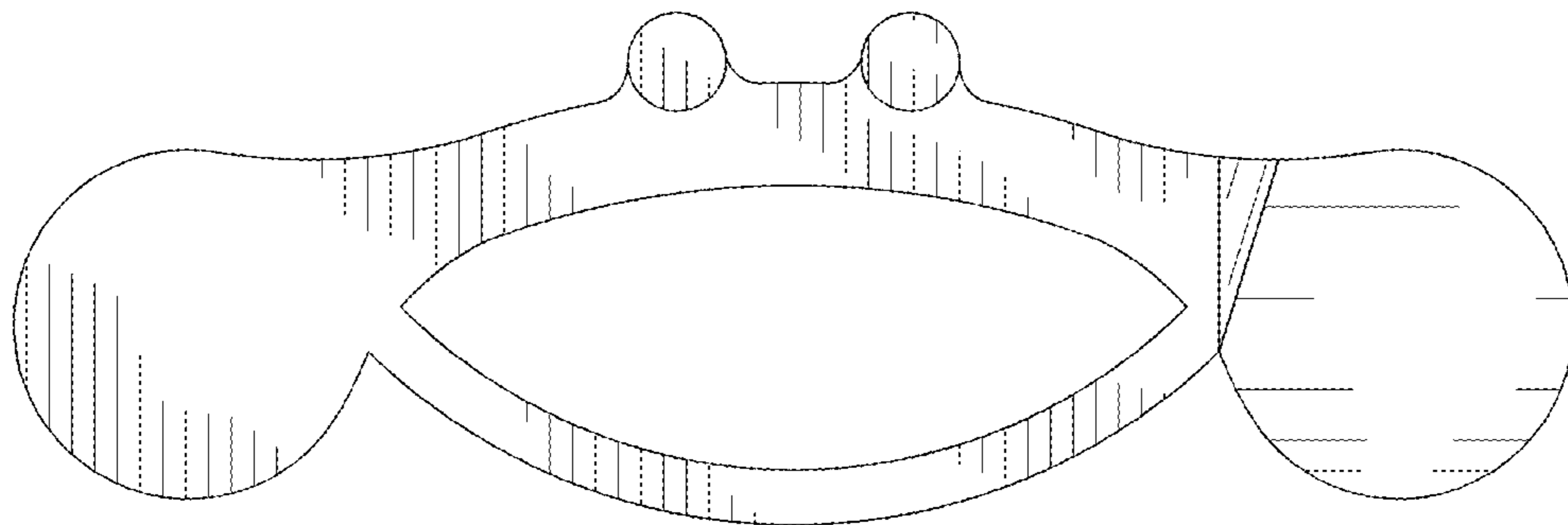


FIG. 5

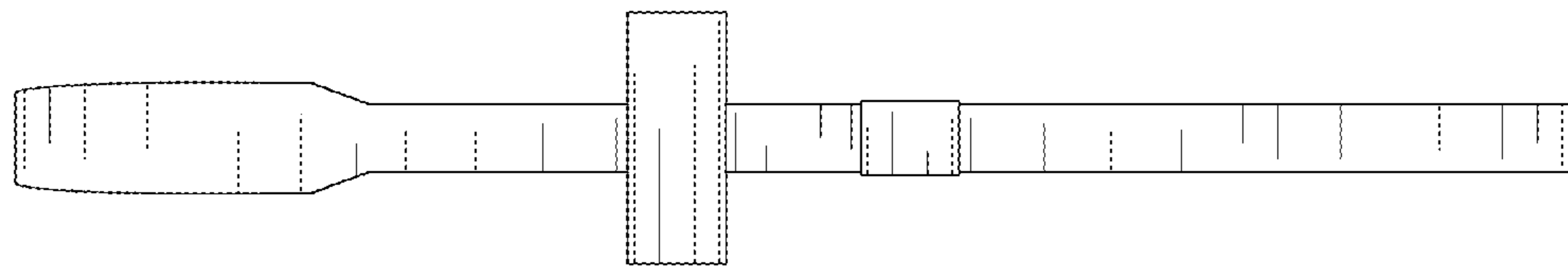


FIG. 6

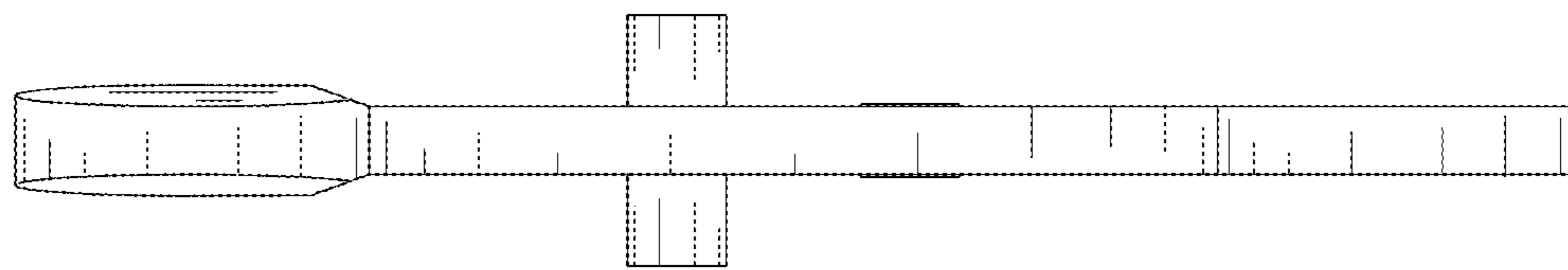


FIG. 7