



US00D754518S

(12) **United States Design Patent**  
**Bahler**

(10) **Patent No.:** **US D754,518 S**  
(45) **Date of Patent:** **\*\* Apr. 26, 2016**

(54) **DRAWER KNOB**

E05B 55/005; E05B 1/00; E05B 85/107;  
E05B 3/00

(71) Applicant: **Delta Faucet Company**, Indianapolis,  
IN (US)

See application file for complete search history.

(72) Inventor: **Jordan Renee Bahler**, Frankfort, IN  
(US)

(56) **References Cited**

(73) Assignee: **DELTA FAUCET COMPANY**,  
Indianapolis, IN (US)

U.S. PATENT DOCUMENTS

(\*\*) Term: **14 Years**

(21) Appl. No.: **29/513,857**

|           |   |   |         |          |       |                         |
|-----------|---|---|---------|----------|-------|-------------------------|
| 421,670   | A | * | 2/1890  | Case     | ..... | E05B 1/0007<br>29/896.5 |
| 2,601,596 | A | * | 6/1952  | Cronin   | ..... | E05B 1/0007<br>292/347  |
| 3,044,817 | A | * | 7/1962  | Marcante | ..... | E05B 3/003<br>292/336.3 |
| D434,962  | S | * | 12/2000 | Short    | ..... | D8/310                  |
| D435,424  | S | * | 12/2000 | Short    | ..... | D8/310                  |
| D522,840  | S | * | 6/2006  | Haug     | ..... | D8/310                  |
| D554,469  | S | * | 11/2007 | Sato     | ..... | D8/310                  |
| D580,733  | S | * | 11/2008 | Hanes    | ..... | D8/305                  |

(22) Filed: **Jan. 6, 2015**

(51) **LOC (10) Cl.** ..... **08-06**

\* cited by examiner

(52) **U.S. Cl.**  
USPC ..... **D8/310**

*Primary Examiner* — Derrick Holland

*Assistant Examiner* — Lauren Calve

(58) **Field of Classification Search**  
USPC ..... D8/300, 305, 307, 310, 311, 312;  
D7/393; D23/250, 254; 16/110.1, 413,  
16/414, 415, 417, 422, 441, DIG. 30;  
292/336.3, 347

(74) *Attorney, Agent, or Firm* — Edgar A. Zarins; Nirav D. Parikh

CPC ... Y10T 292/57; Y10T 292/82; Y10T 16/469;  
Y10T 16/44; Y10T 16/506; Y10T 292/85;  
Y10T 16/458; Y10T 74/2084; Y10T 16/46;  
Y10T 16/459; Y10T 74/20732; Y10T 292/03;  
Y10T 16/4713; Y10T 16/466; Y10T 292/88;  
Y10T 29/49599; Y10T 16/487; Y10T 16/462;  
Y10T 16/4636; Y10T 74/20864; Y10T  
70/5155; Y10T 16/4559; Y10T 292/0951;  
Y10T 292/0891; Y10T 292/0934; Y10T  
292/0968; E05B 1/0007; E05B 1/0015;  
E05B 79/06; E05B 85/10; E05B 1/0053;

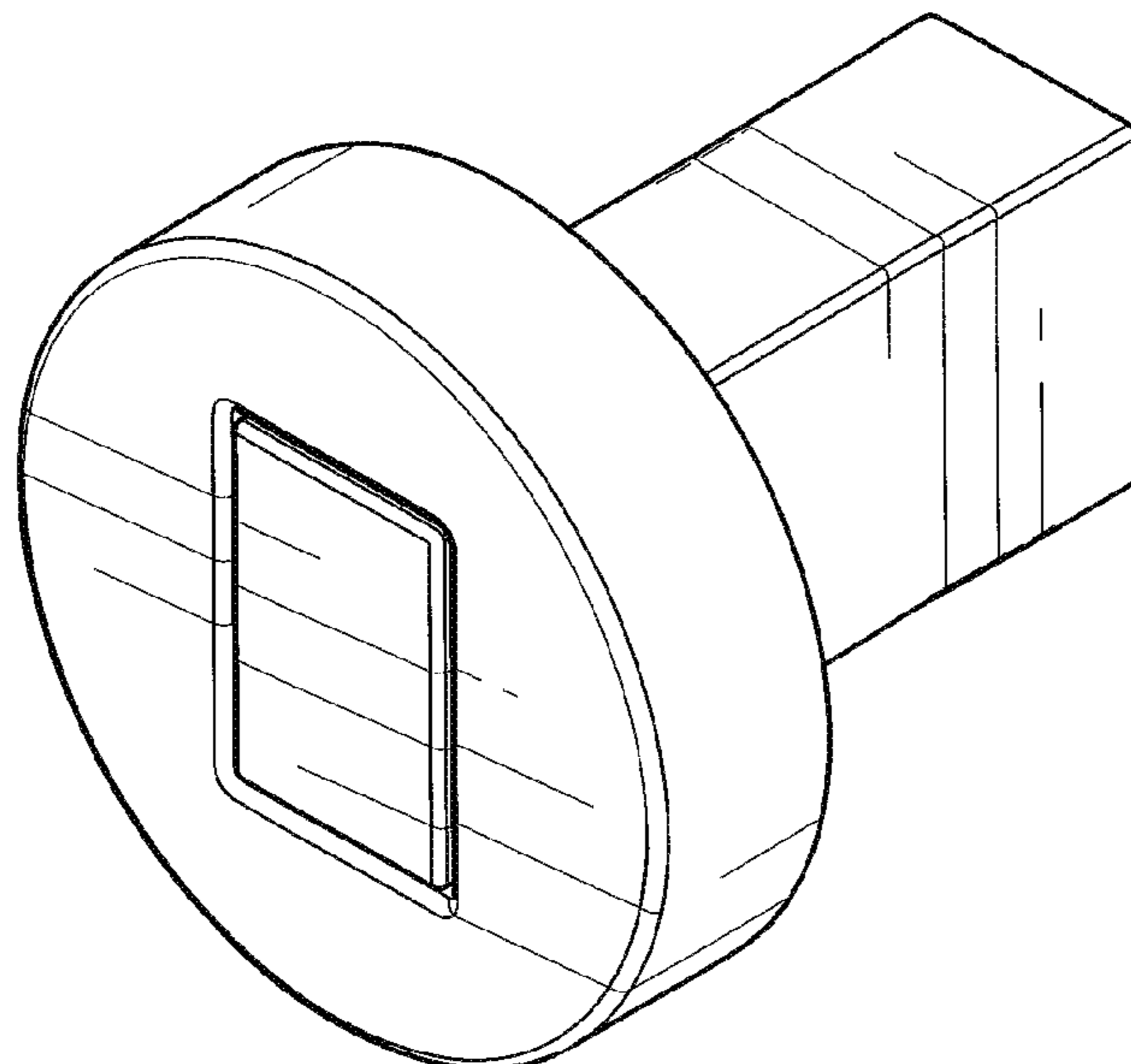
(57) **CLAIM**

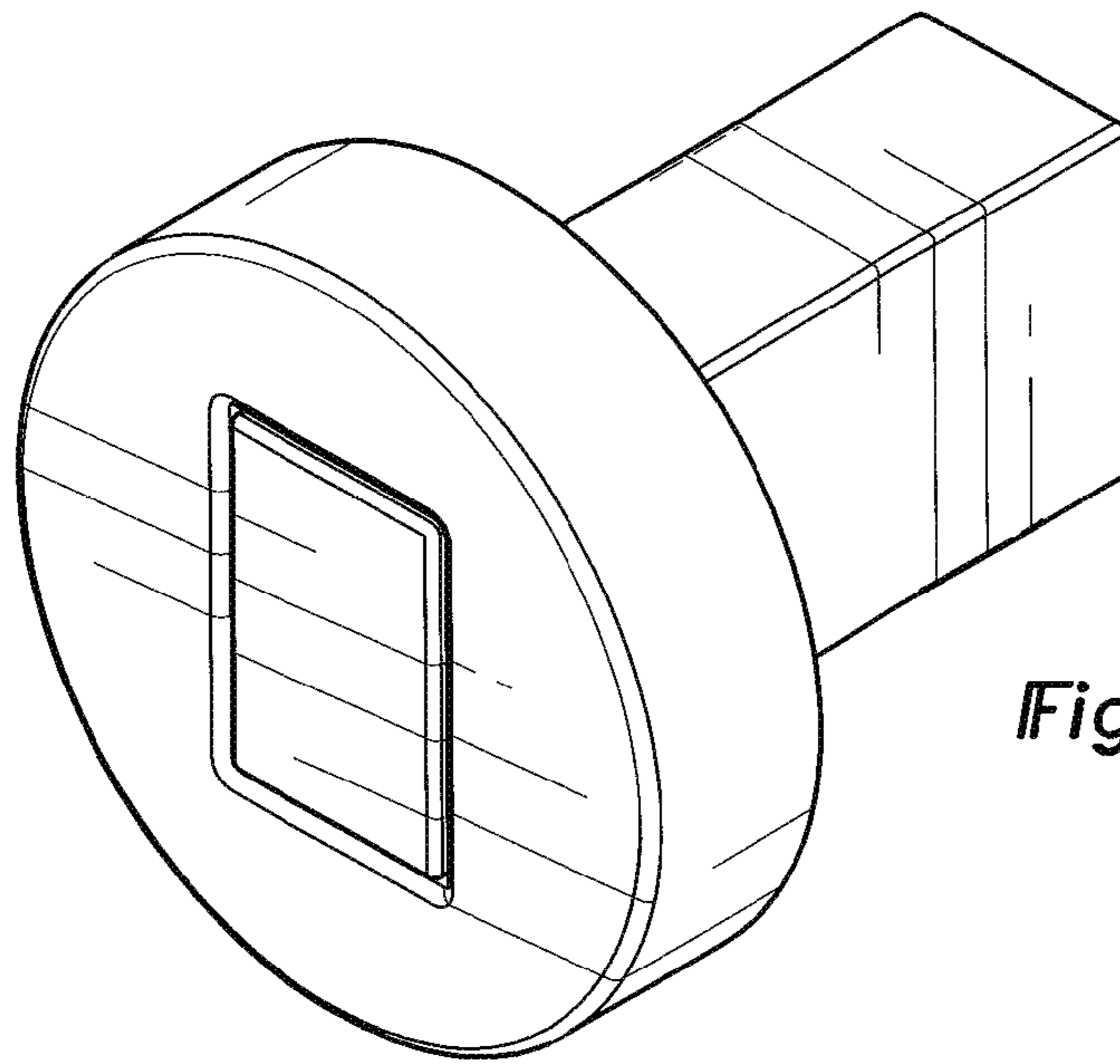
The ornamental design for a drawer knob, as shown and described.

**DESCRIPTION**

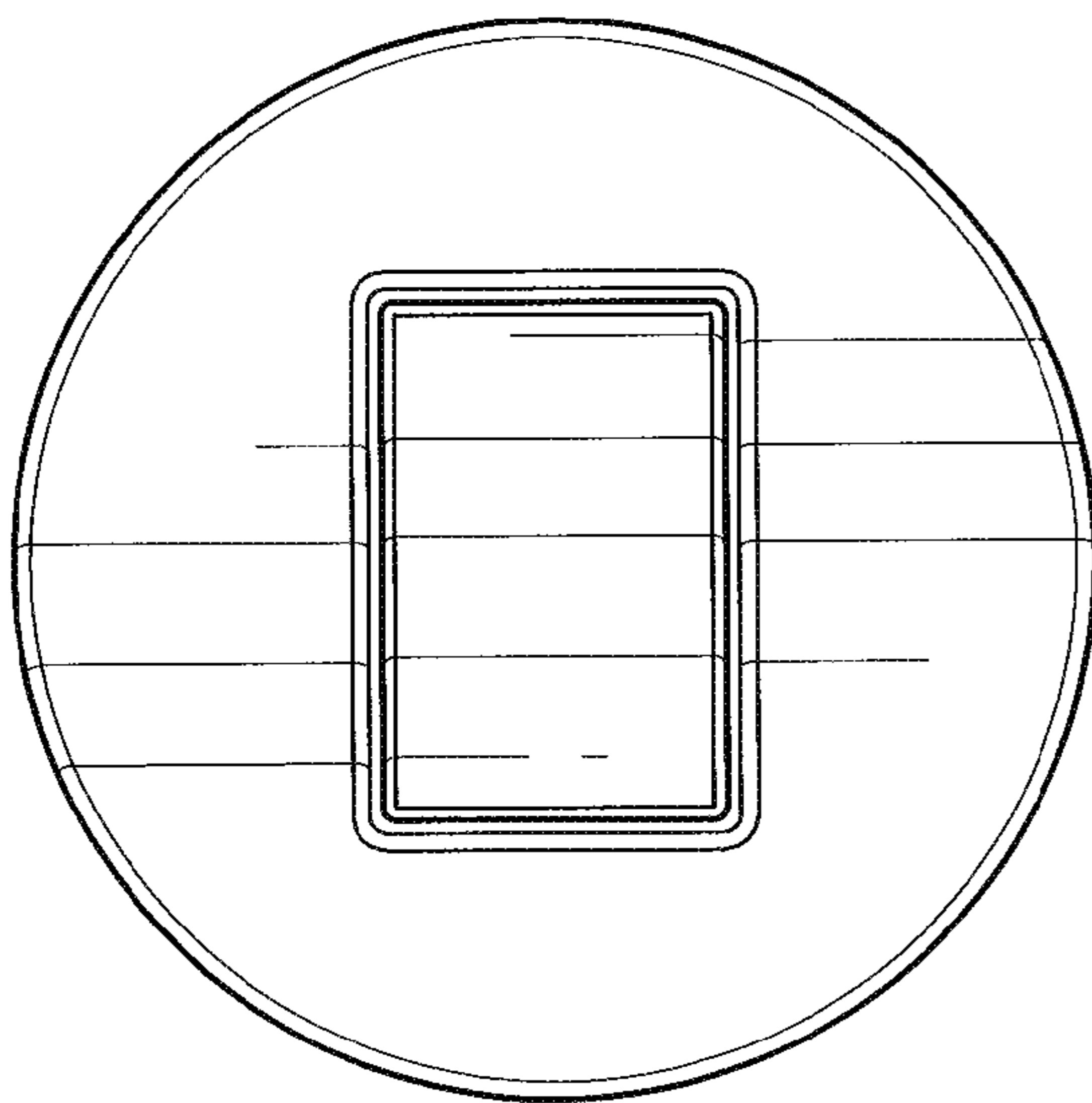
FIG. 1 is a perspective view of a drawer knob showing my new design;  
FIG. 2 is a front elevational view thereof;  
FIG. 3 is a rear view thereof;  
FIG. 4 is a first side view thereof; and,  
FIG. 5 is a second side view thereof.

**1 Claim, 2 Drawing Sheets**

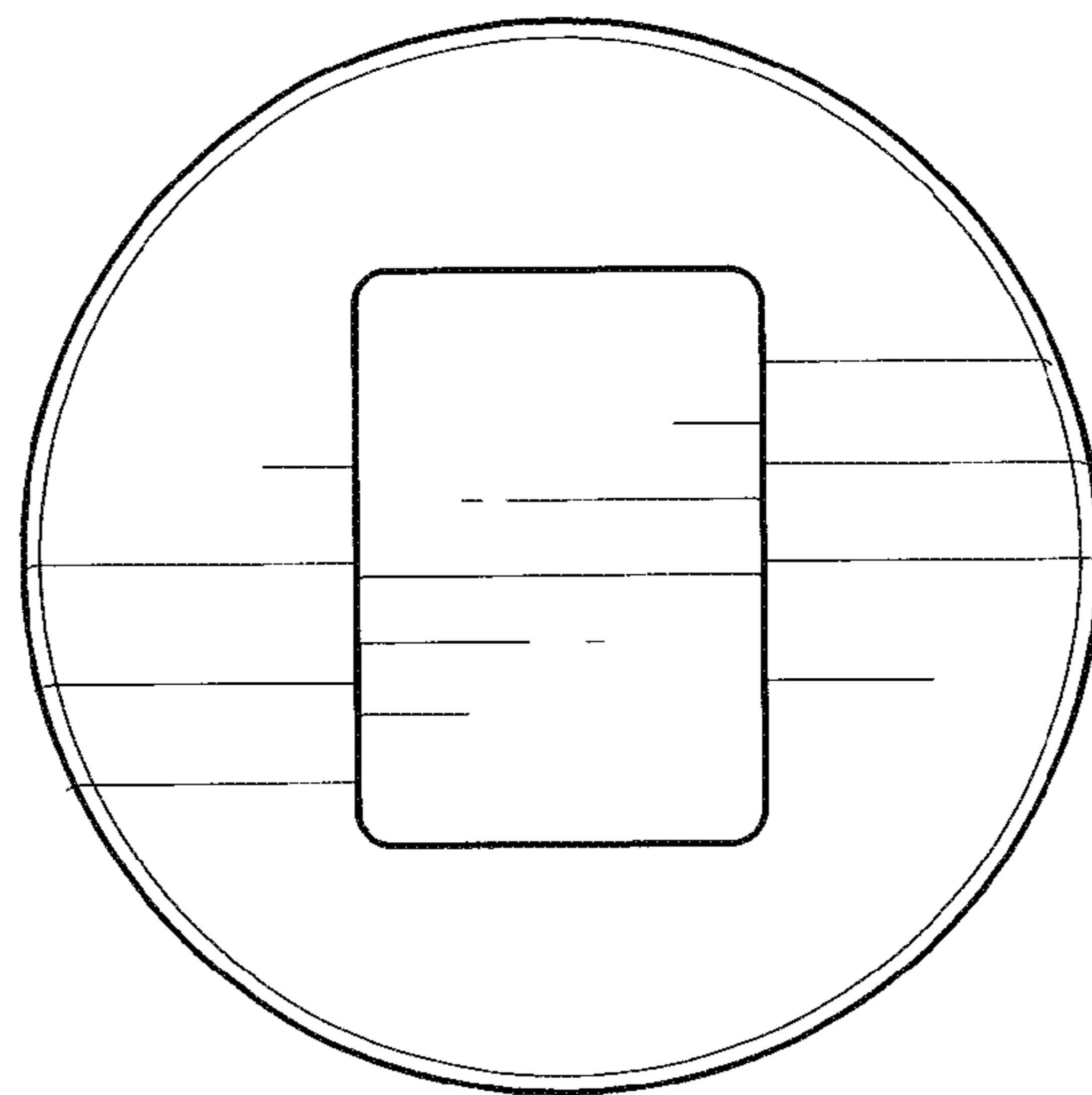




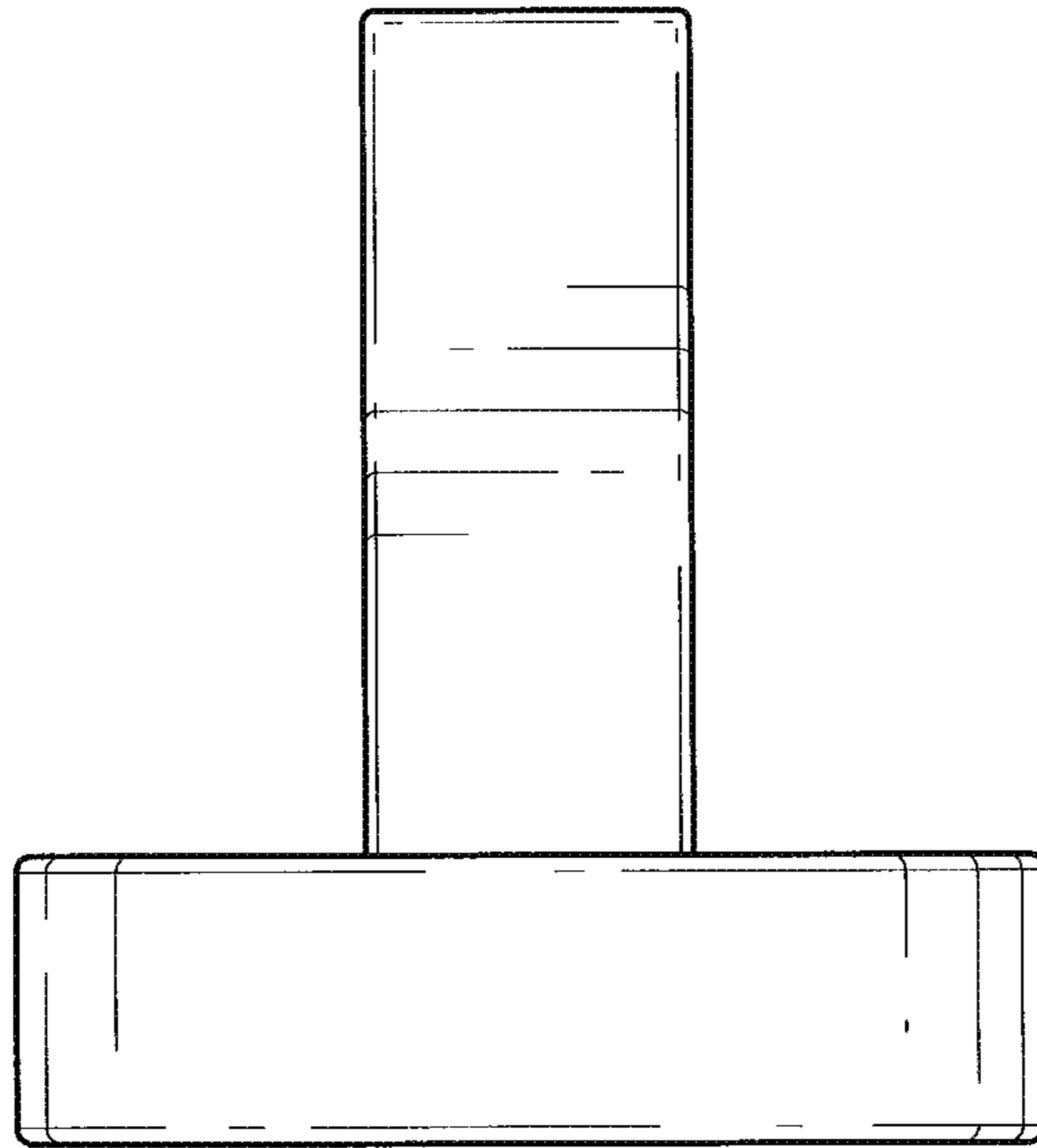
*Fig-1*



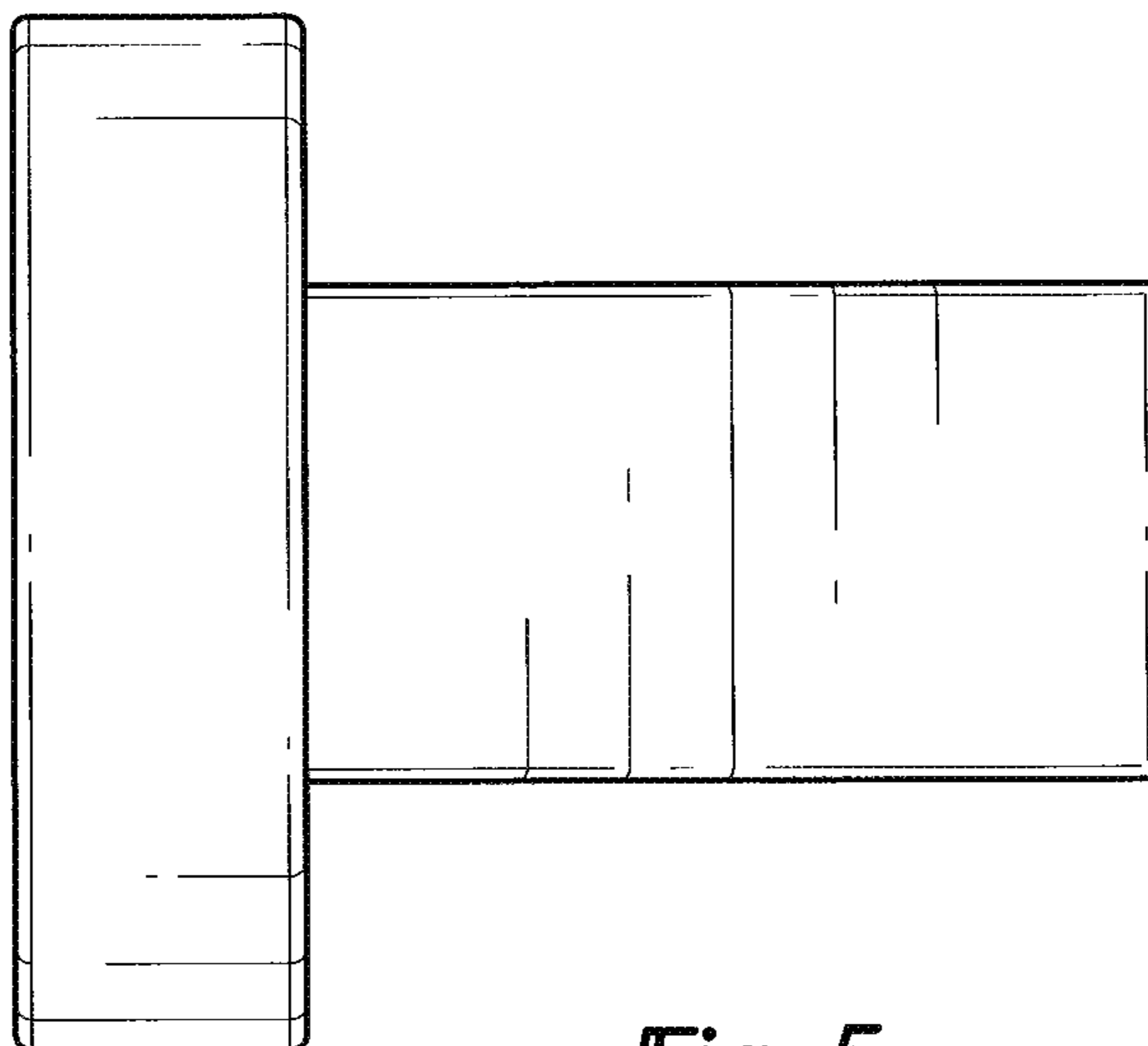
*Fig-2*



*Fig-3*



*Fig-4*



*Fig-5*