



US00D754517S

(12) **United States Design Patent**  
**Henderson**

(10) **Patent No.:** **US D754,517 S**  
(45) **Date of Patent:** **\*\* Apr. 26, 2016**

(54) **HANDLE GRIP**

(71) Applicant: **Unger Marketing International, LLC**,  
Bridgeport, CT (US)

(72) Inventor: **Scott Henderson**, Brooklyn, NY (US)

(73) Assignee: **Unger Marketing International, LLC**,  
Bridgeport, CT (US)

(\*\*) Term: **14 Years**

(21) Appl. No.: **29/481,318**

(22) Filed: **Feb. 4, 2014**

(51) **LOC (10) Cl.** ..... **08-06**

(52) **U.S. Cl.**  
USPC ..... **D8/107**

(58) **Field of Classification Search**  
USPC ..... D8/107, 300, 303; D4/138; D7/393,  
D7/395; D34/27; D32/54; 16/421, 422,  
16/430, 436, DIG. 12; 74/551.1, 551.8,  
74/551.9

See application file for complete search history.

(56) **References Cited**

U.S. PATENT DOCUMENTS

D153,670 S *	5/1949	Derham	.....	D7/395
D153,671 S *	5/1949	Derham	.....	D7/395
D354,216 S *	1/1995	Chen	.....	D8/303
D414,610 S *	10/1999	Davila	.....	D4/138
D448,644 S *	10/2001	Perala et al.	.....	D8/107

D481,613 S *	11/2003	Macor	.....	D8/107
D627,975 S *	11/2010	Chang	.....	D4/138
D688,464 S *	8/2013	Hara	.....	D4/101
D691,375 S *	10/2013	Heil et al.	.....	D4/101
D720,594 S *	1/2015	Henderson	.....	D8/107
D723,349 S *	3/2015	Henderson	.....	D8/107

\* cited by examiner

*Primary Examiner* — Derrick Holland

*Assistant Examiner* — Lauren Calve

(74) *Attorney, Agent, or Firm* — Ohlandt, Greeley, Ruggiero  
& Perle, LLP

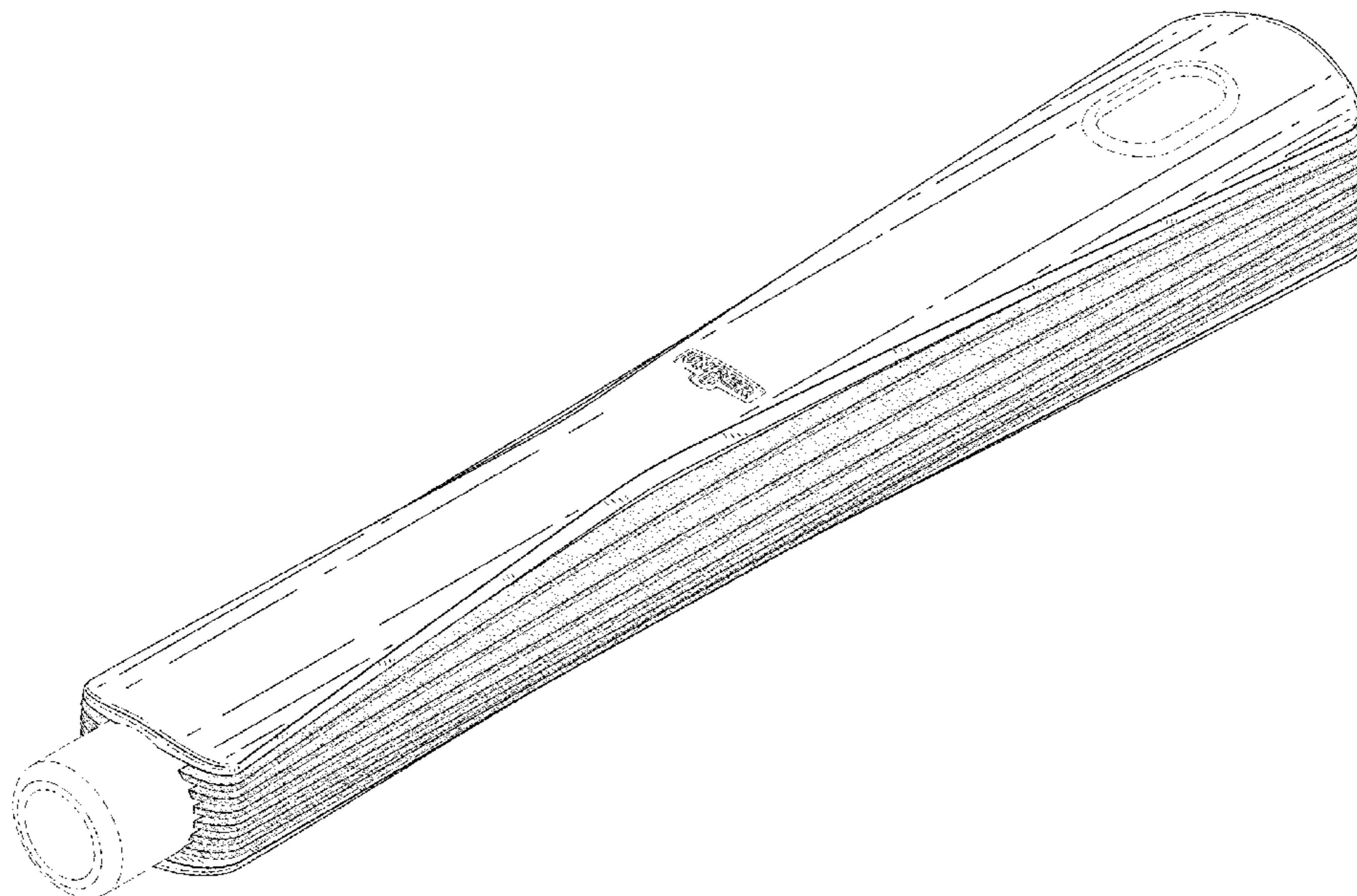
(57) **CLAIM**

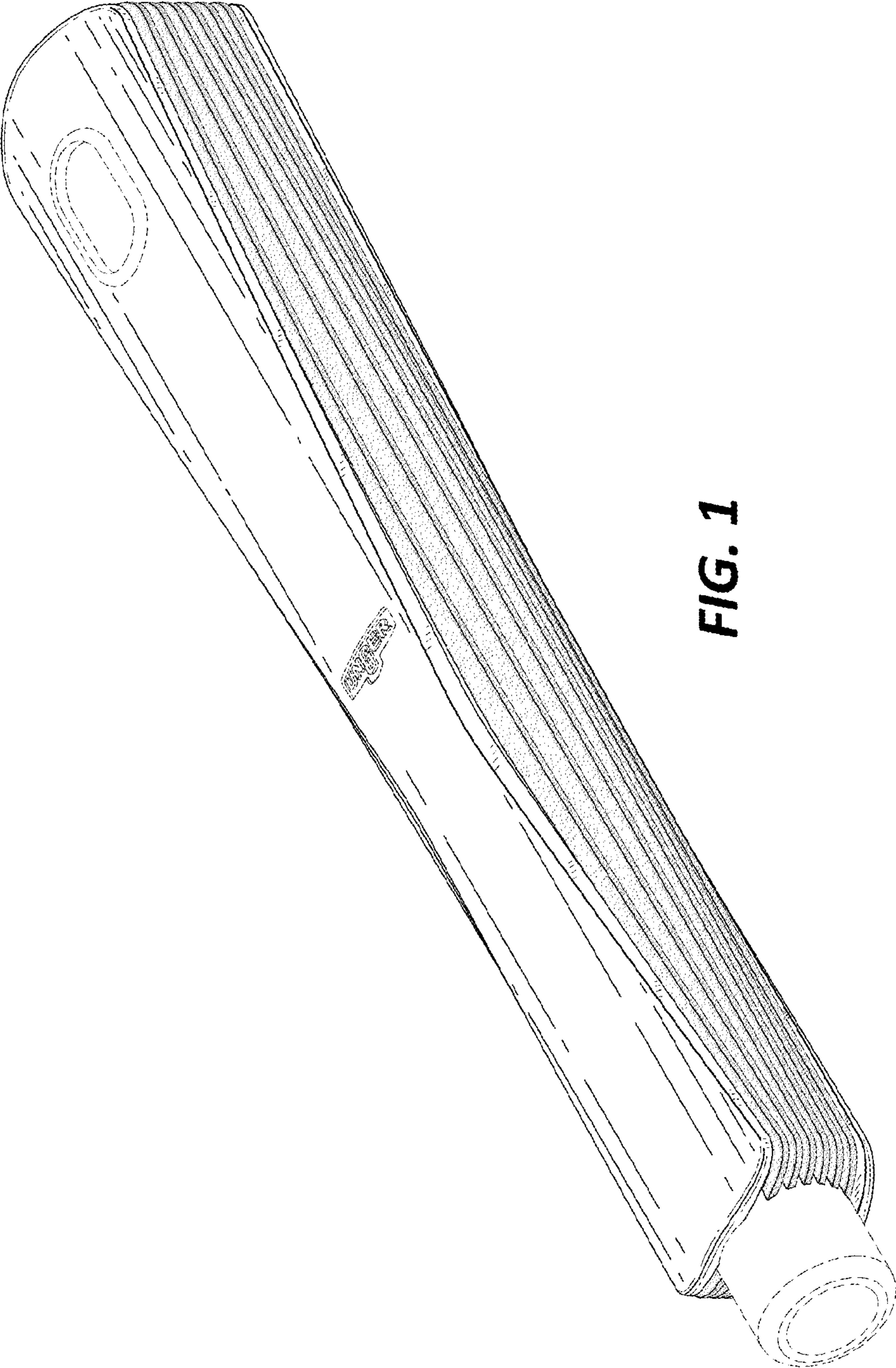
The ornamental design for a handle grip, as shown and described.

**DESCRIPTION**

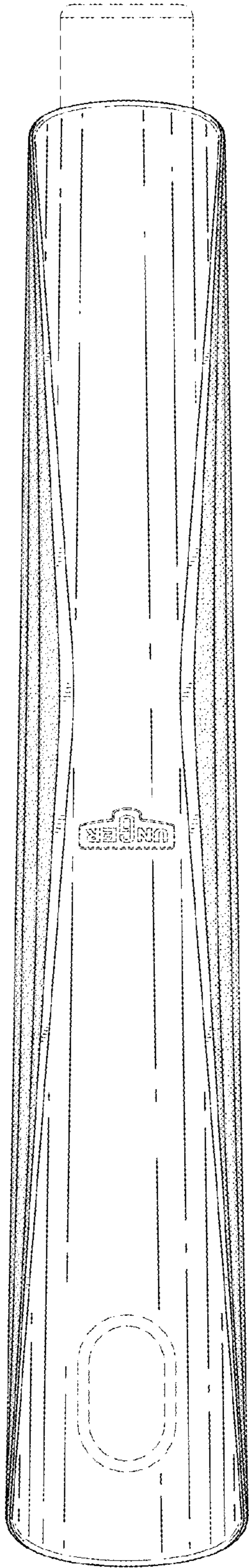
FIG. 1 is a top rear isometric view of a handle grip according to the present disclosure;  
FIG. 2 is a top view of the handle grip of FIG. 1;  
FIG. 3 is a bottom view of the handle grip of FIG. 1;  
FIG. 4 is a first side view of the handle grip of FIG. 1;  
FIG. 5 is a second, opposite side view of the handle grip of FIG. 1;  
FIG. 6 is a rear view of the handle grip of FIG. 1; and,  
FIG. 7 is a front view of the handle grip of FIG. 1.  
The broken lines shown represent unclaimed subject matter and form no part of the claim.

**1 Claim, 4 Drawing Sheets**

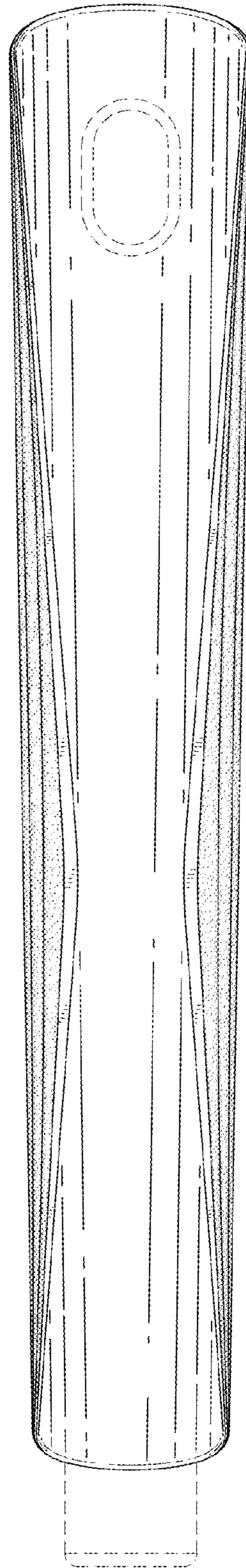




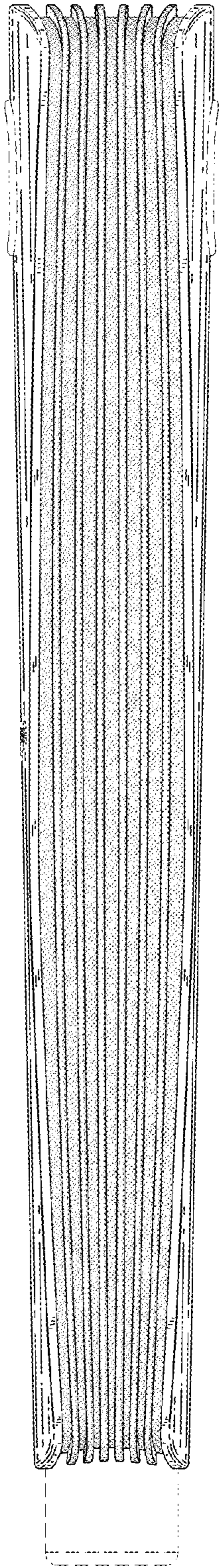
**FIG. 1**



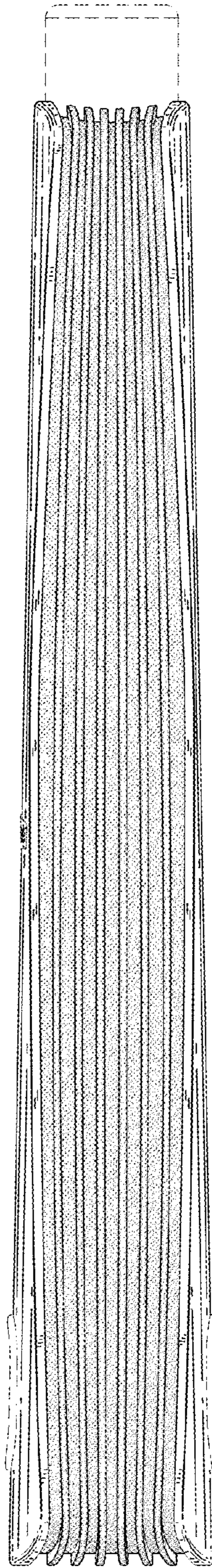
**FIG. 2**



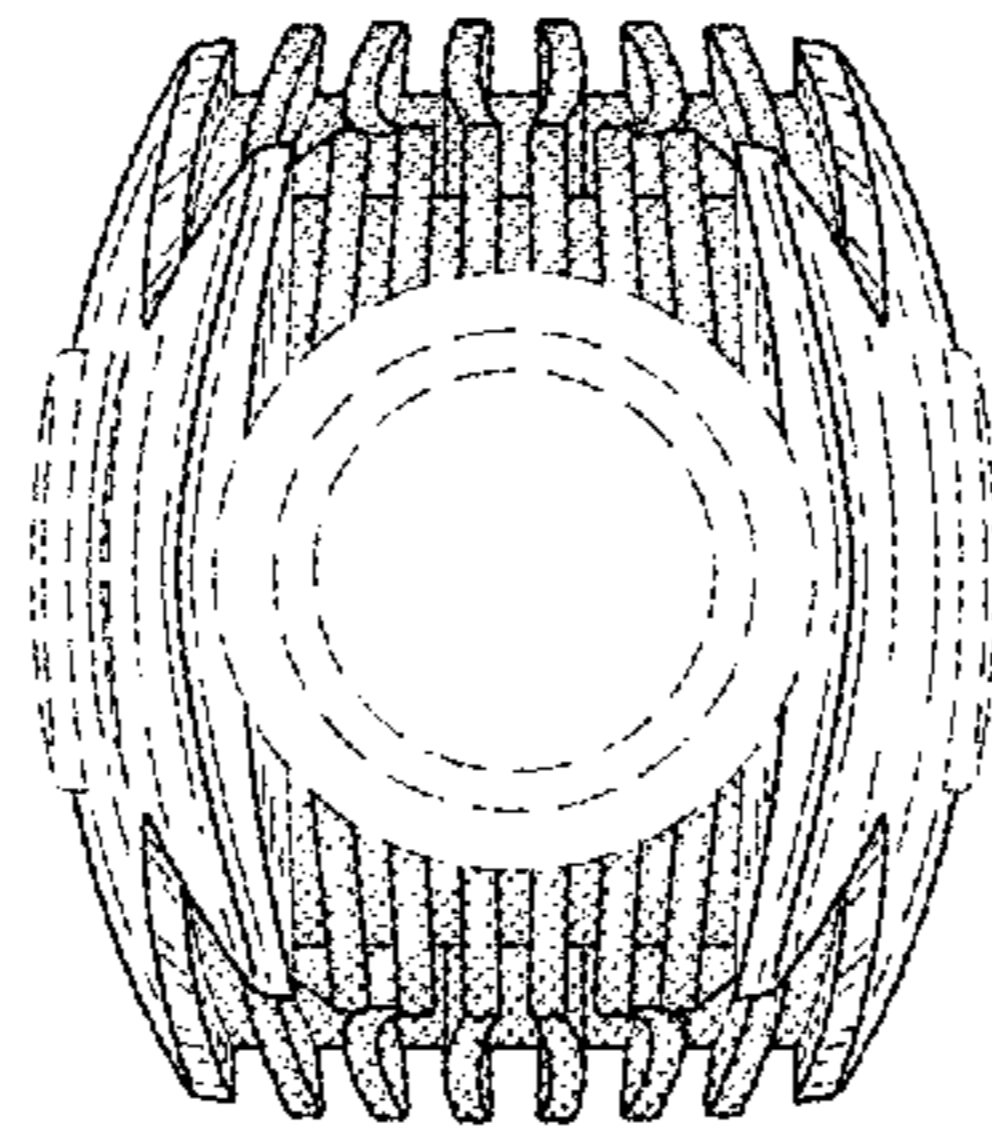
**FIG. 3**



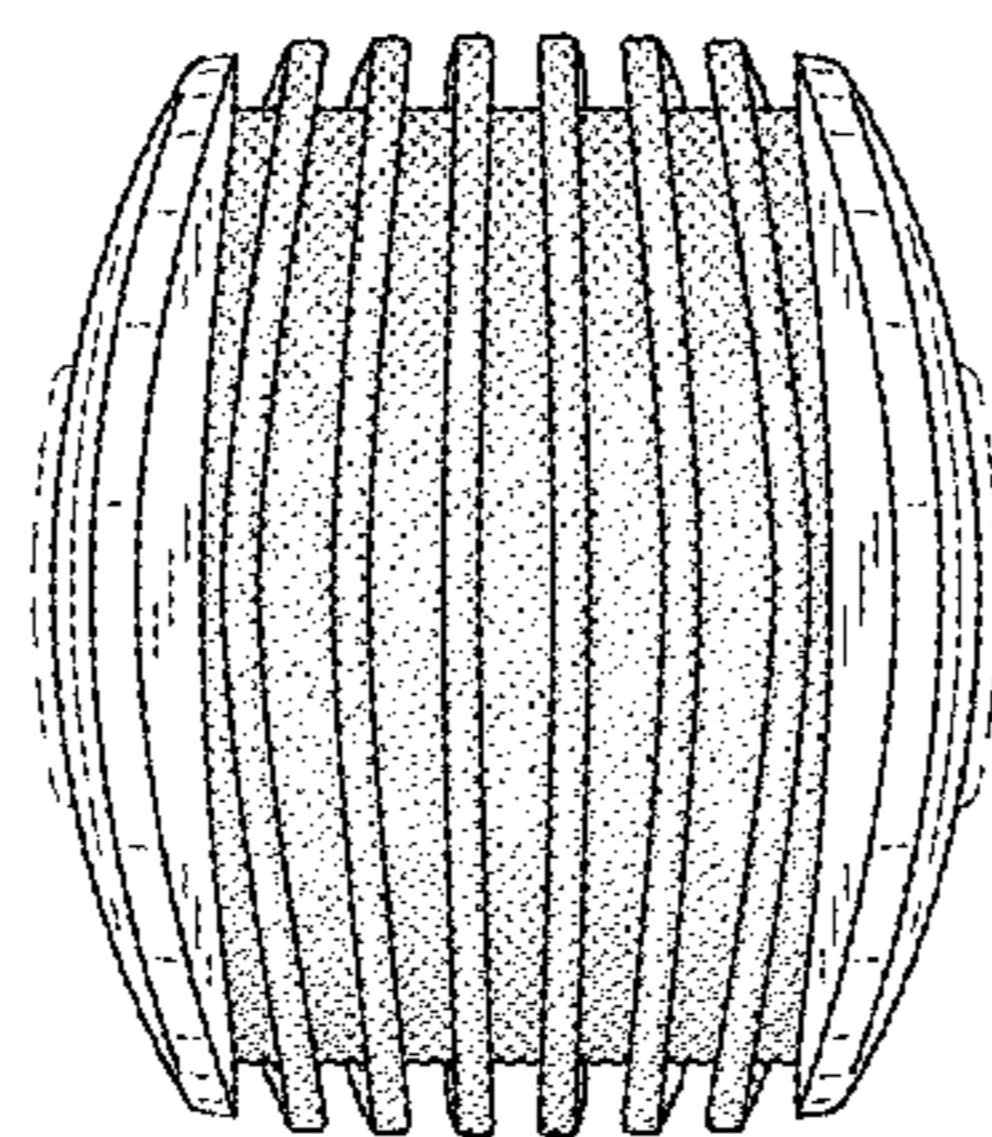
**FIG. 4**



**FIG. 5**



**FIG. 7**



**FIG. 6**