



US00D754516S

(12) **United States Design Patent**
Heise

(10) **Patent No.:** **US D754,516 S**
(45) **Date of Patent:** **** Apr. 26, 2016**

(54) **MULTIPURPOSE TOOL**

(71) Applicant: **Leatherman Tool Group, Inc.**,
Portland, OR (US)

(72) Inventor: **Zach Heise**, Portland, OR (US)

(73) Assignee: **Leatherman Tool Group, Inc.**,
Portland, OR (US)

(**) Term: **14 Years**

(21) Appl. No.: **29/512,571**

(22) Filed: **Dec. 19, 2014**

(51) **LOC (10) Cl.** **08-05**

(52) **U.S. Cl.**
USPC **D8/105**

(58) **Field of Classification Search**
USPC D8/4, 21, 48, 51, 52, 55, 87, 104, 105,
D8/106, 107; D19/65; 7/118, 128, 138,
7/160; 30/155, 161, 162, 298.4;
81/177.4, 427.5, 440, 489, 490

See application file for complete search history.

(56) **References Cited**

U.S. PATENT DOCUMENTS

4,698,068	A *	10/1987	Jensen	44/507
D352,217	S *	11/1994	Hochfeld et al.	D8/48
D438,440	S *	3/2001	Cheldin	D8/48
D547,156	S *	7/2007	Lee	D8/104
D568,709	S *	5/2008	Packard et al.	D8/98
D591,136	S *	4/2009	Cheldin	D8/104
D594,729	S *	6/2009	Cheldin	D8/104
D713,709	S *	9/2014	Goldman et al.	D8/104
D735,011	S *	7/2015	Wu	D8/99
2009/0214996	A1 *	8/2009	Putrello	431/273

2010/0101028	A1 *	4/2010	Cheldin	7/160
2011/0145998	A1 *	6/2011	Caniparoli et al.	7/129
2012/0227187	A1 *	9/2012	Caniparoli et al.	7/128

FOREIGN PATENT DOCUMENTS

EP 001979931 * 1/2012

OTHER PUBLICATIONS

<http://www.gearinstitute.com/gear-news/gear-institute-top-stories/item/summer-or-2015-leatherman-signal> Posted Aug. 1, 2015.*

* cited by examiner

Primary Examiner — Susan Hattan

Assistant Examiner — Leanne Was

(74) *Attorney, Agent, or Firm* — Alston & Bird LLP

(57) **CLAIM**

The ornamental design for a multipurpose tool, as shown and described.

DESCRIPTION

FIG. 1 is a perspective view of a multipurpose tool according to our new design;

FIG. 2 is a front elevation view thereof;

FIG. 3 is a back elevation view thereof;

FIG. 4 is a right side elevation view thereof;

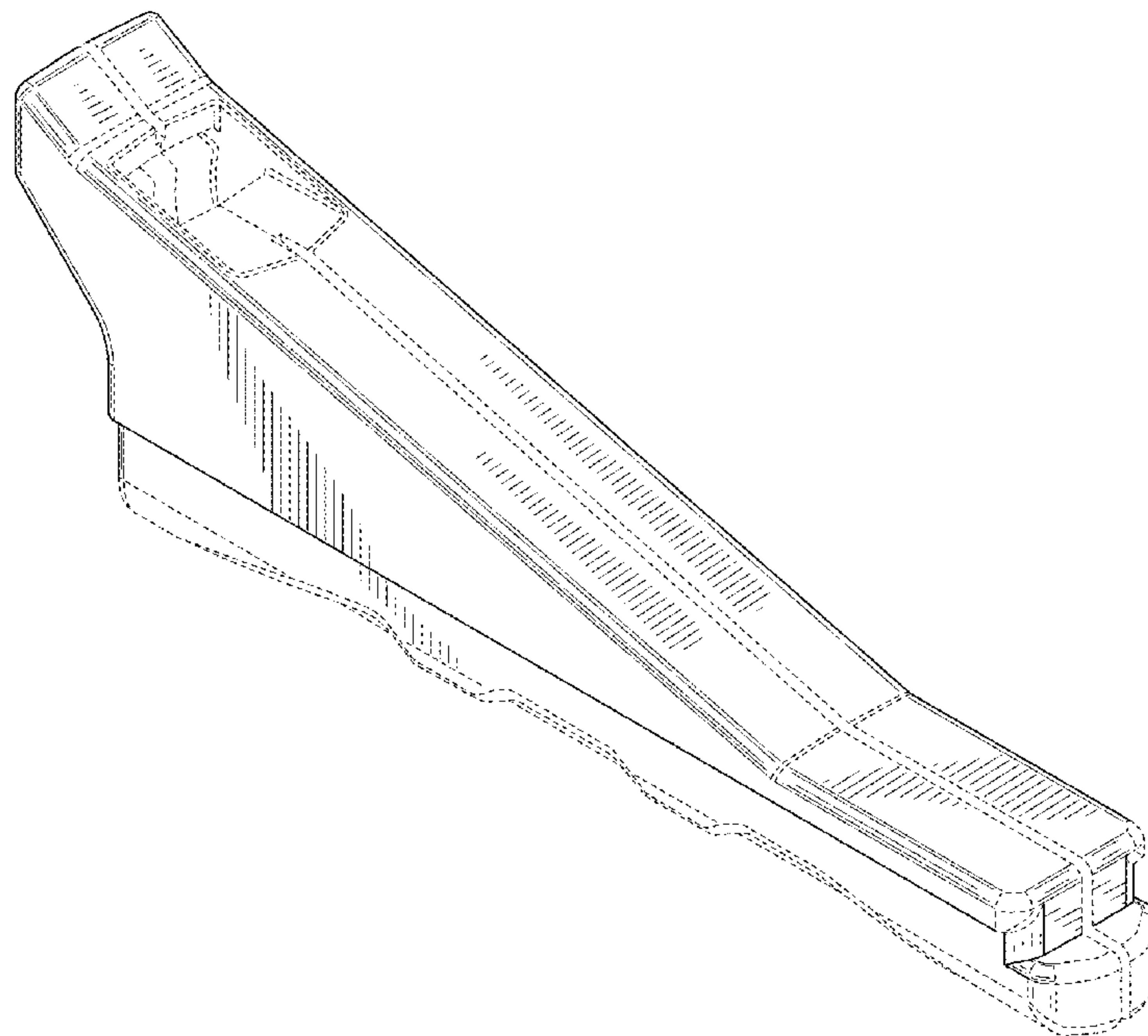
FIG. 5 is a left side elevation view thereof;

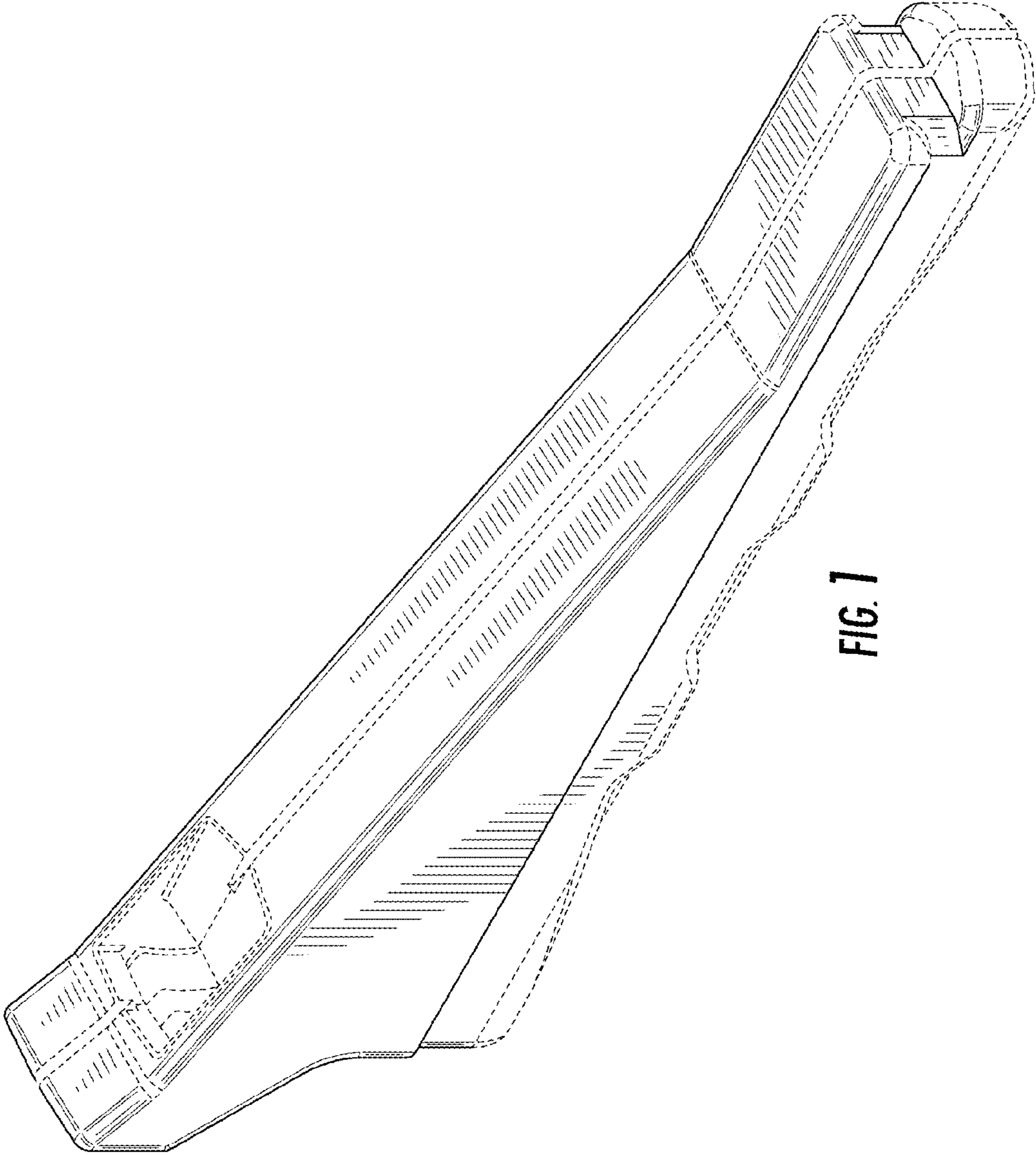
FIG. 6 is a top side elevation view thereof; and,

FIG. 7 is a bottom plan view thereof.

The broken lines depict portions of the multipurpose tool that form no part of the claimed design.

1 Claim, 6 Drawing Sheets





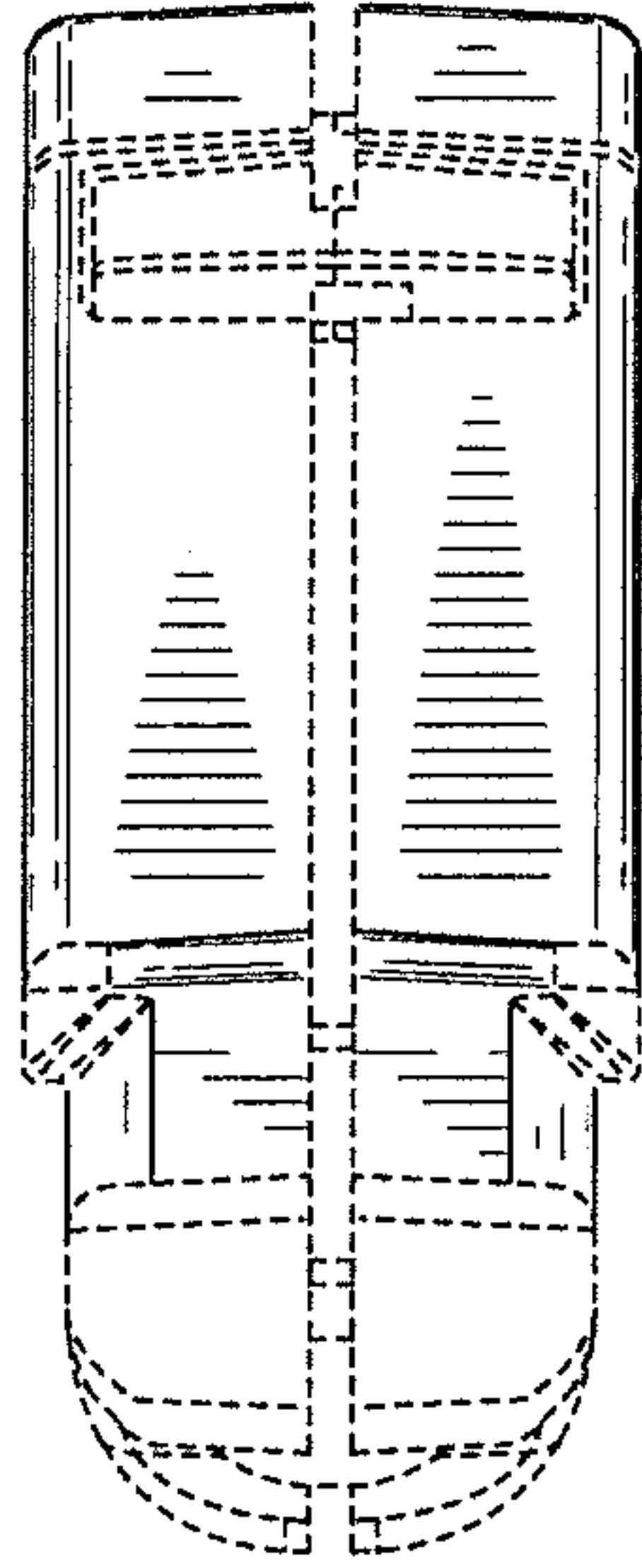


FIG. 2

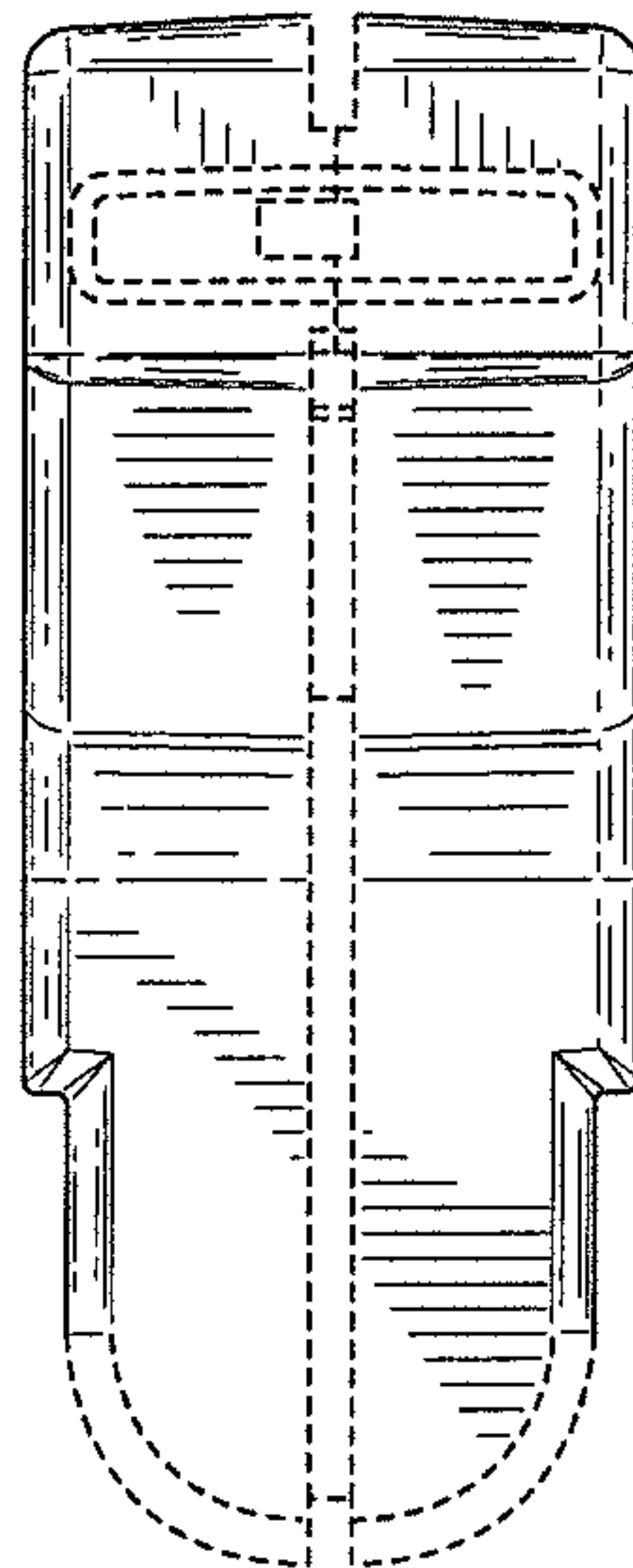


FIG. 3

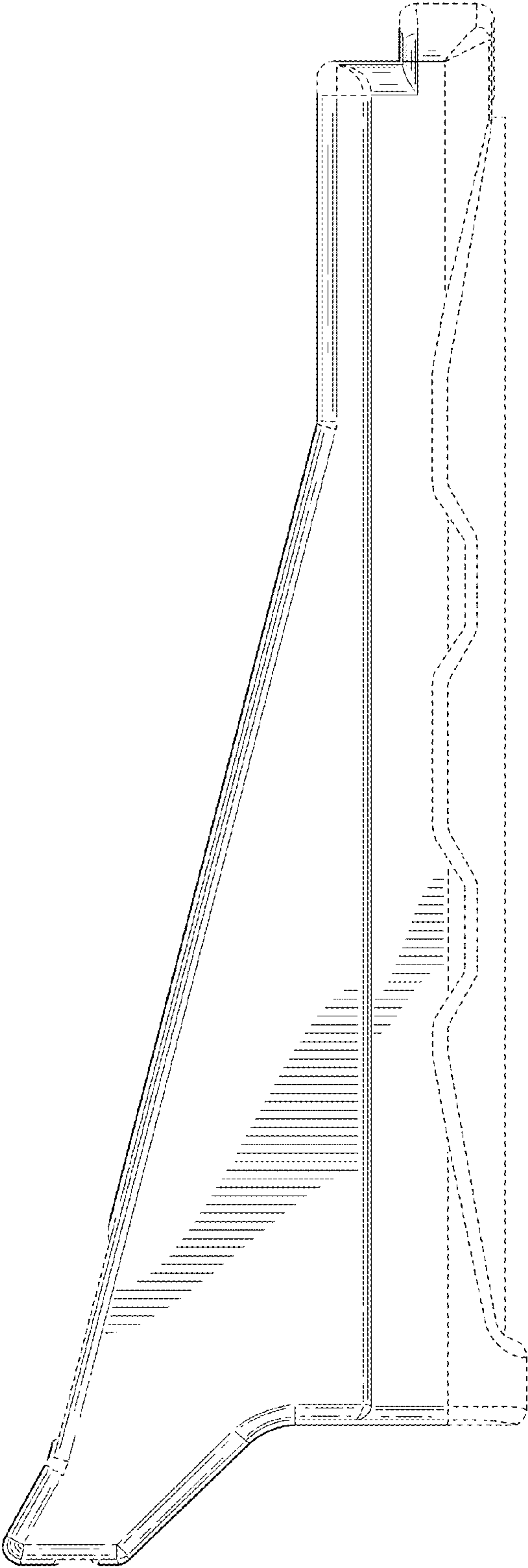


FIG. 4

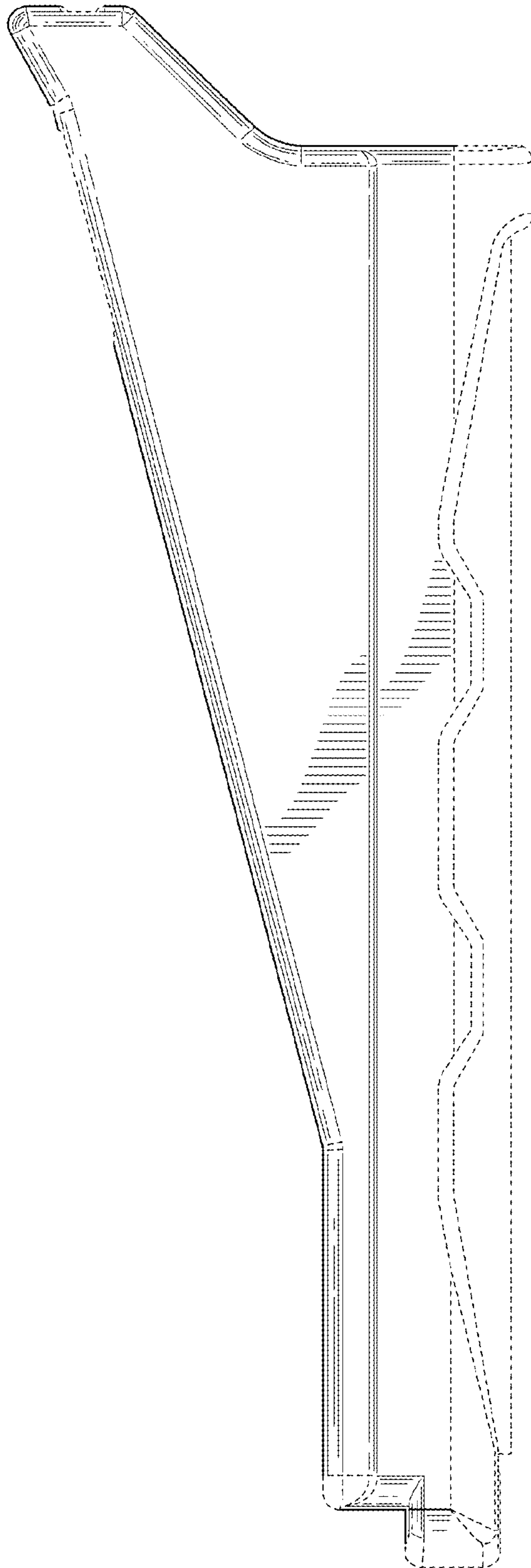


FIG. 5

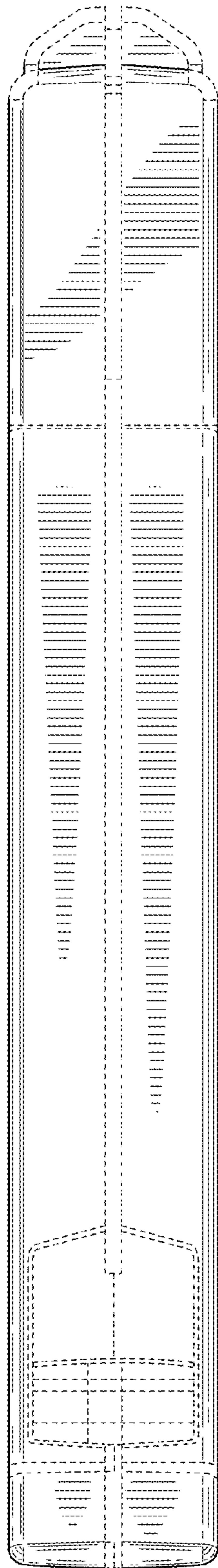


FIG. 6

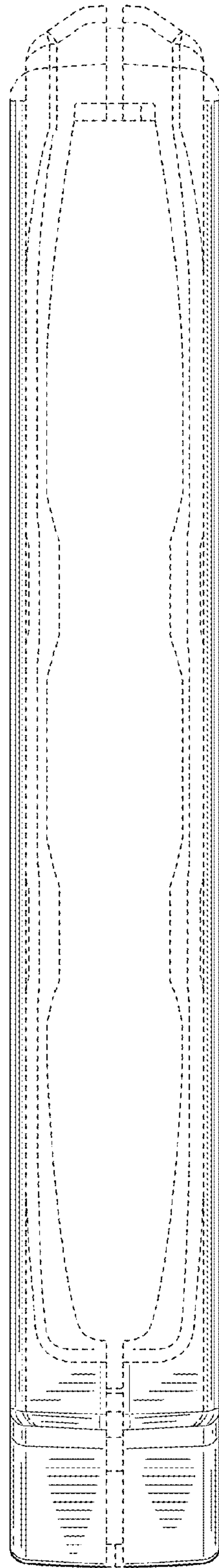


FIG. 7