

US00D754515S

(12) **United States Design Patent**
Harsey

(10) **Patent No.:** **US D754,515 S**

(45) **Date of Patent:** **** Apr. 26, 2016**

(54) **FOLDING KNIFE**

(71) Applicant: **William Harsey**, Creswell, OR (US)

(72) Inventor: **William Harsey**, Creswell, OR (US)

(73) Assignee: **GB II Corporation**, Tualatin, OR (US)

(**) Term: **14 Years**

(21) Appl. No.: **29/518,399**

(22) Filed: **Feb. 23, 2015**

(51) **LOC (10) Cl.** **08-03**

(52) **U.S. Cl.**
USPC **D8/99**

(58) **Field of Classification Search**
USPC D8/98, 99, 100, 105, 107; D22/118
CPC B26B 1/00; B26B 1/02; B26B 1/04;
B26B 1/10; B26B 1/046; B26B 1/042
See application file for complete search history.

(56) **References Cited**

U.S. PATENT DOCUMENTS

D302,934 S *	8/1989	Finn	D8/99
D417,380 S *	12/1999	Kayson	D8/100
D433,914 S *	11/2000	Chu	D8/99
D488,697 S *	4/2004	Rae	D8/99
D489,956 S *	5/2004	Rae	D8/99
D530,180 S *	10/2006	Klecker	D8/99
D554,964 S *	11/2007	Taylor	D8/99
D561,554 S *	2/2008	Taylor	D8/99
D562,102 S *	2/2008	Pearman	D8/99

D632,755 S *	2/2011	Weiguo	D22/118
D633,772 S *	3/2011	Behler	D8/99
D634,174 S *	3/2011	Ryan	D8/99
D732,918 S *	6/2015	Wang	D8/99

OTHER PUBLICATIONS

Mesa Tactical Products, Inc., Shotgun Receiver Mount Picatinny Rail, Mossberg Receiver Rail, <http://www.brownells.com/shooting-accessories/flashlights-accesories/accessory-mounts/shotgun-receiver-mount-picatinny-rail-prod27200.aspx>, published as least as early as May 2013, 2 pages.

* cited by examiner

Primary Examiner — Phillip S Hyder

(74) *Attorney, Agent, or Firm* — Klarquist Sparkman, LLP

(57) **CLAIM**

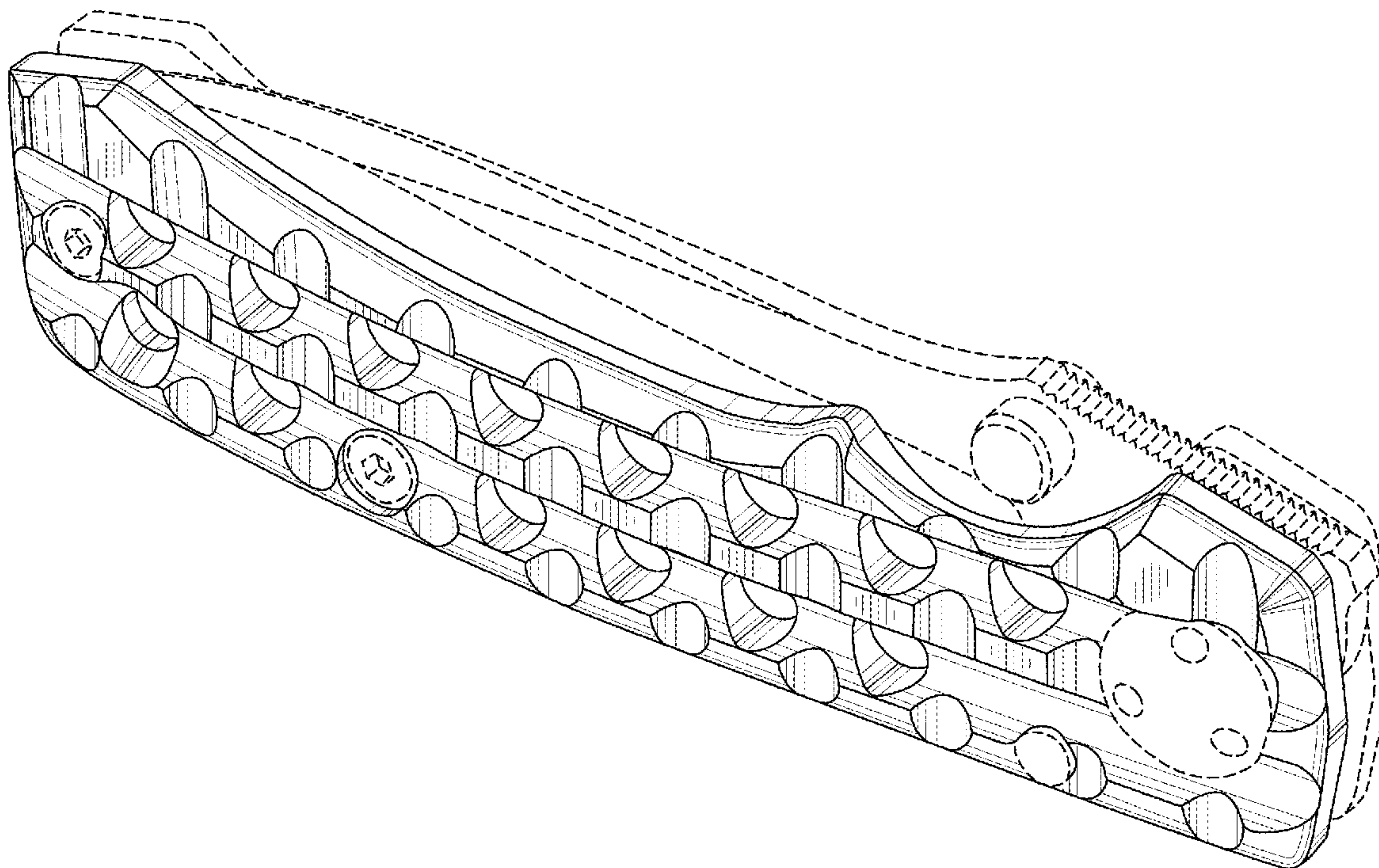
I claim the ornamental design for a folding knife, as shown and described.

DESCRIPTION

FIG. 1 is a perspective view of a folding knife showing my new design, wherein the blade is in the closed position; FIG. 2 is a rear elevation view thereof; FIG. 3 is a front elevation view thereof; FIG. 4 is a right side elevation view thereof; FIG. 5 is a top plan view thereof; FIG. 6 is a bottom plan view thereof; and, FIG. 7 is a left side elevation view thereof.

The broken lines depict portions of the folding knife in which the design is embodied that are not considered part of the claimed design.

1 Claim, 3 Drawing Sheets



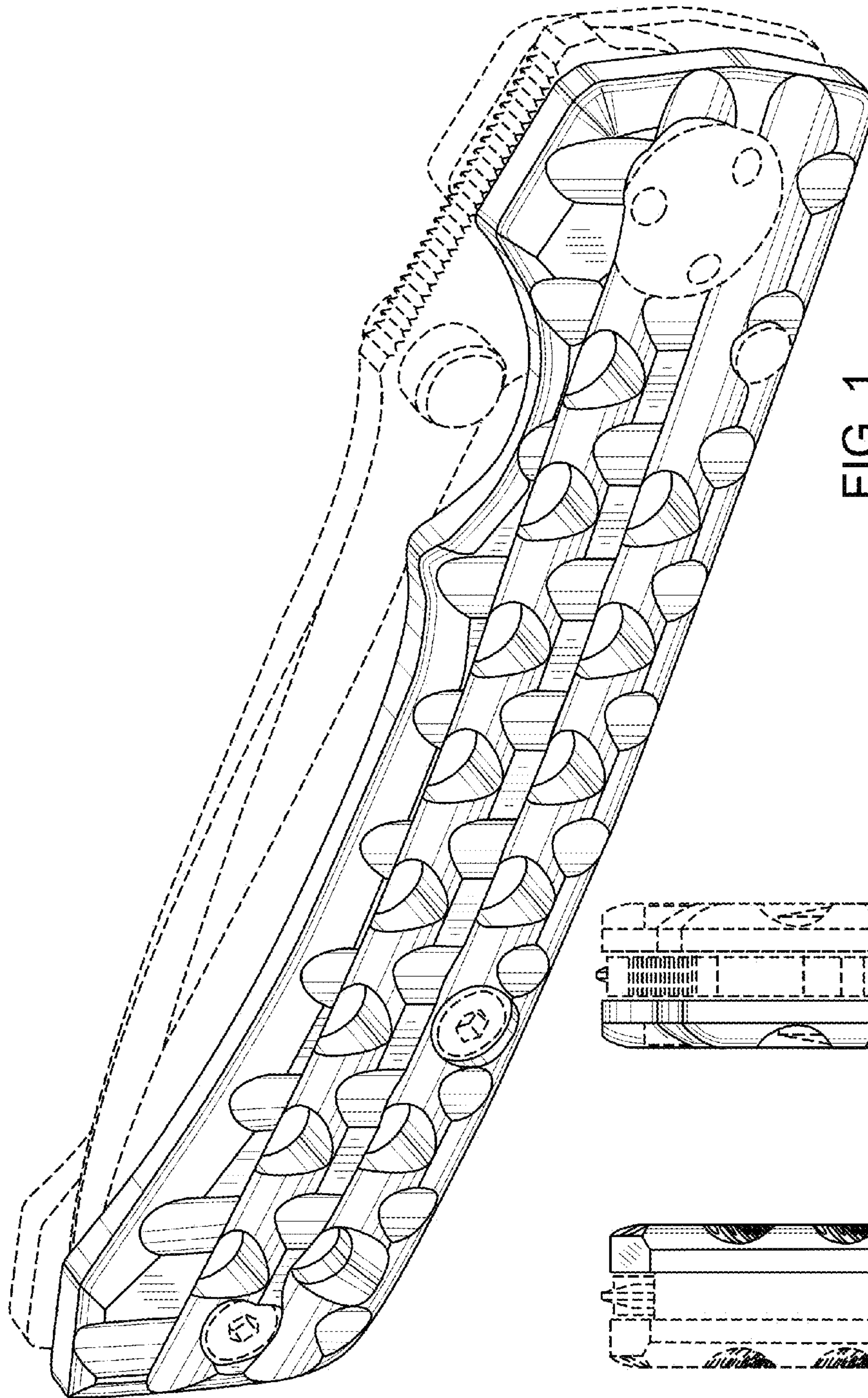


FIG. 1

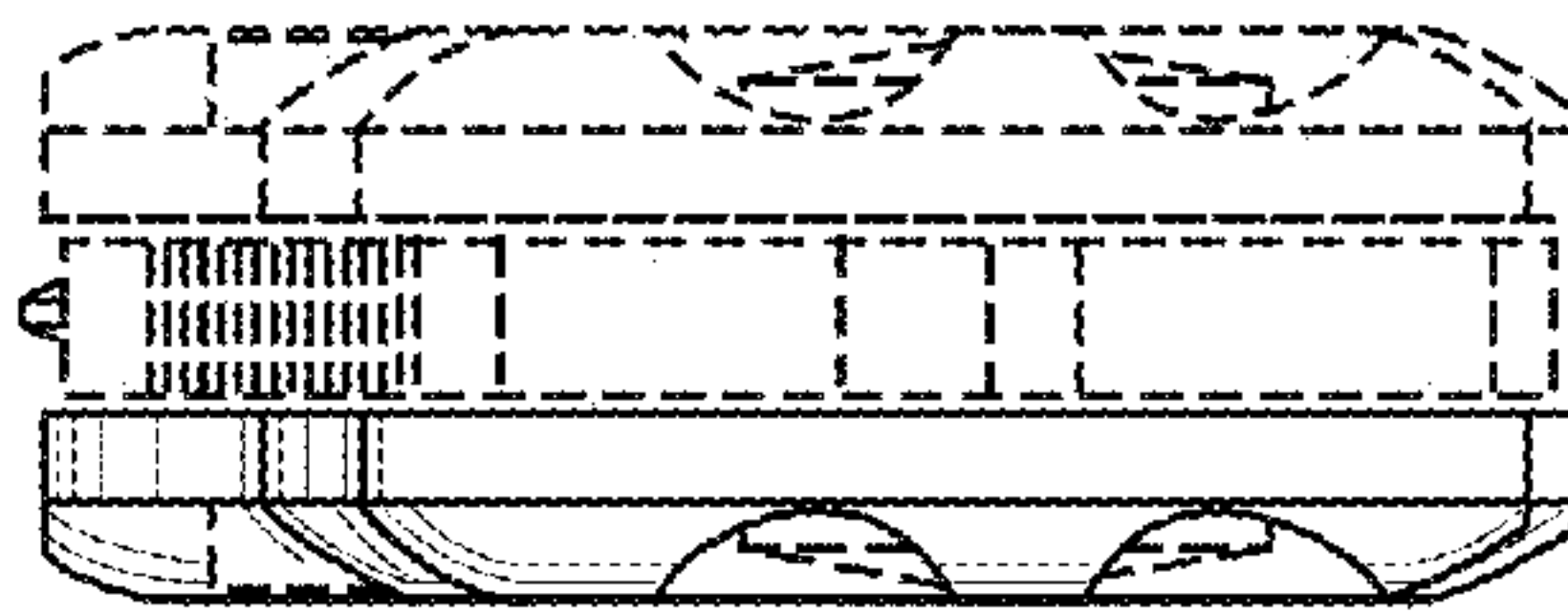


FIG. 3

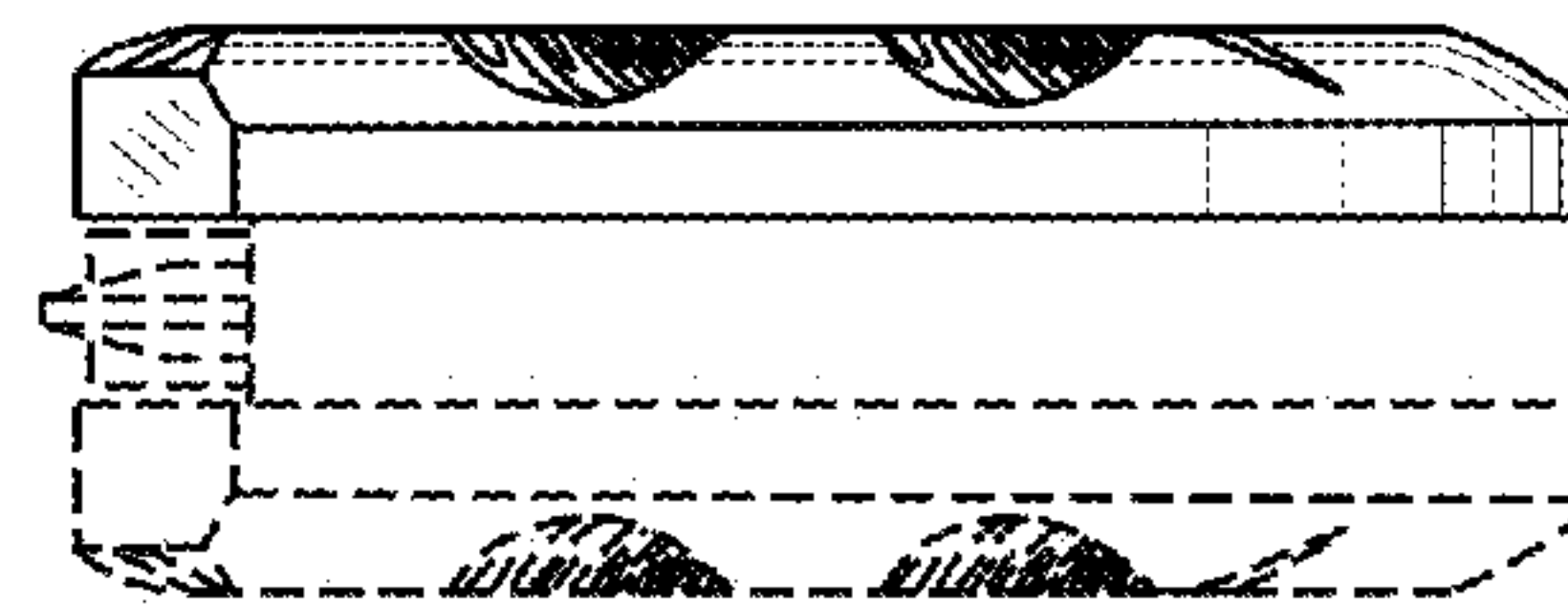


FIG. 2

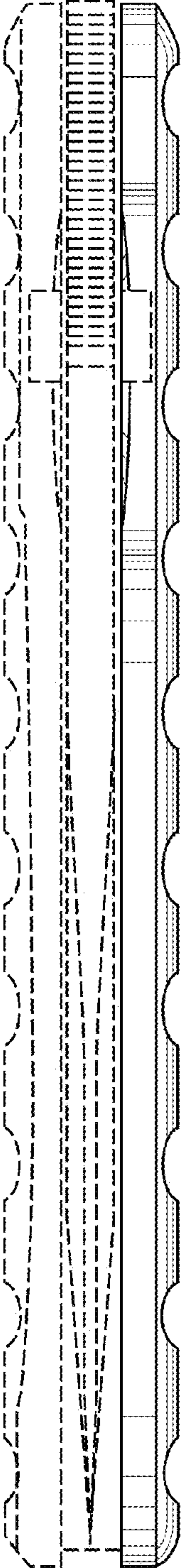


FIG. 5

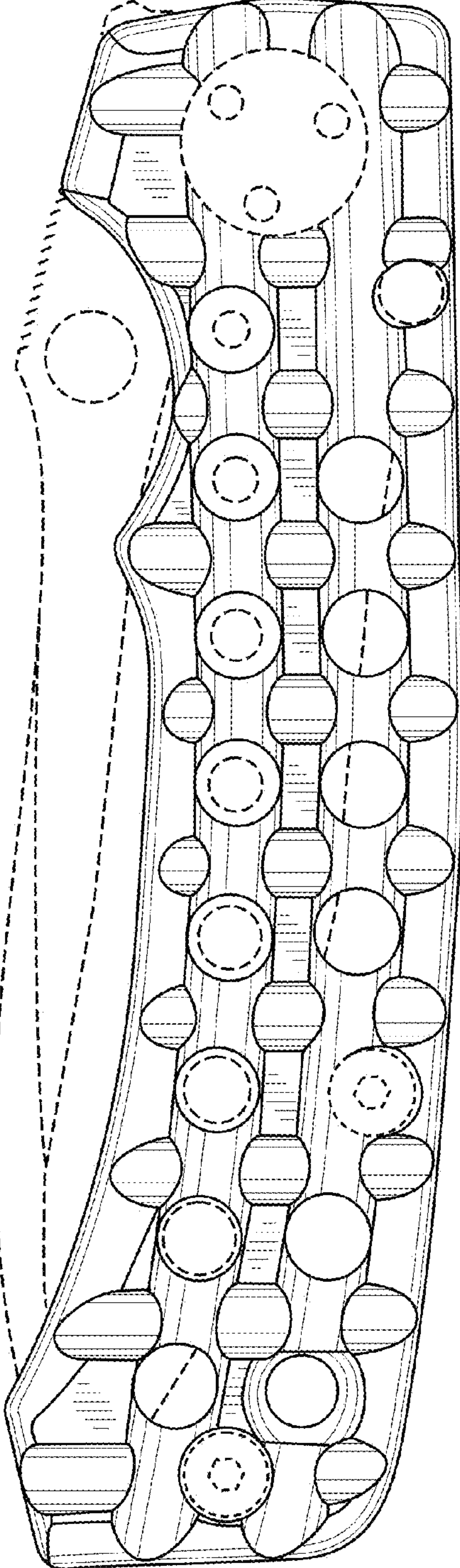


FIG. 4



FIG. 6

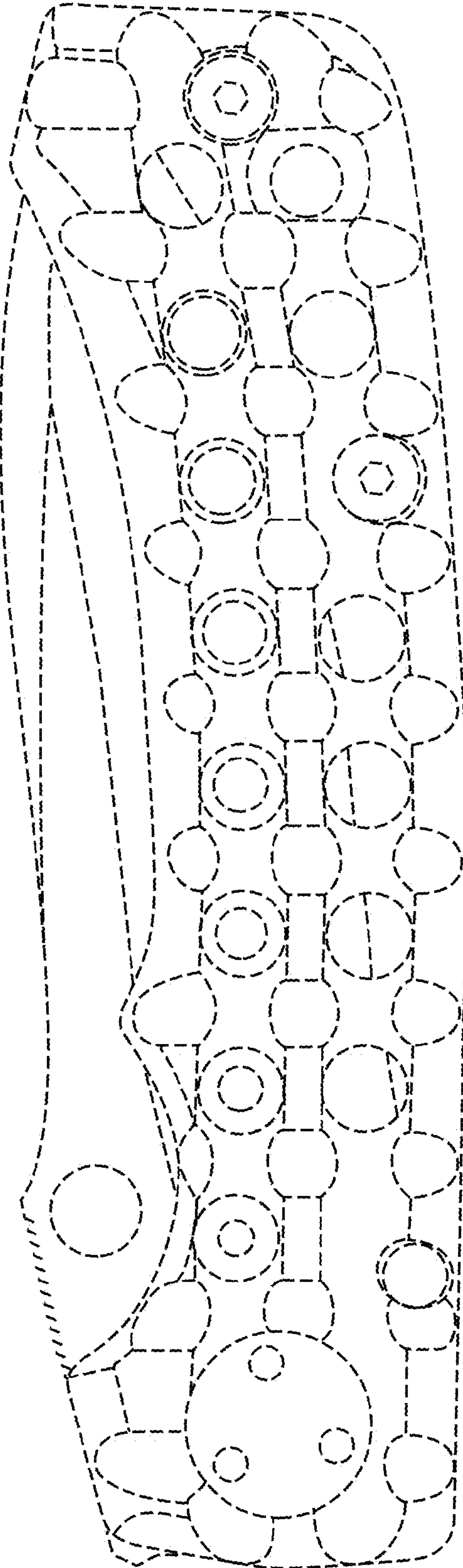


FIG. 7