



US00D754514S

(12) **United States Design Patent**
Huber et al.

(10) **Patent No.:** **US D754,514 S**
(45) **Date of Patent:** **** Apr. 26, 2016**

(54) **COMPACT MANUAL SHARPENER**

(71) Applicant: **EDGECRAFT CORPORATION**,
Avondale, PA (US)
(72) Inventors: **Thomas M. Huber**, Dover, DE (US);
Eckhard Siegler, Lichtenstein (DE);
Daniel D. Friel, Jr., Kennett Square, PA
(US); **Samuel Weiner**, Wilmington, DE
(US)
(73) Assignee: **Edgecraft Corporation**, Avondale, PA
(US)

(**) Term: **15 Years**

(21) Appl. No.: **29/538,242**

(22) Filed: **Sep. 2, 2015**

(51) **LOC (10) Cl.** **08-05**

(52) **U.S. Cl.**
USPC **D8/93**

(58) **Field of Classification Search**
USPC D8/90-94, 98, 99, 105, 107; 451/349,
451/461, 486, 552, 555-558; 76/82, 88
CPC B24B 3/54; B24B 3/546; B24D 15/065;
B24D 15/08; B24D 15/081; B24D 15/082
See application file for complete search history.

(56) **References Cited**

U.S. PATENT DOCUMENTS

899,213	A *	9/1908	Fitzgerald	B24D 15/08 451/555
2,860,452	A	11/1958	Lebus		
2,994,234	A *	8/1961	Lizak	B24D 15/065 76/86
D217,084	S *	4/1970	Martin	D8/91
D266,393	S *	10/1982	Mayer	D8/93
D276,884	S *	12/1984	Carter	D8/91
D276,885	S *	12/1984	Hall	D8/91
D277,166	S *	1/1985	Call	D8/91
4,494,340	A *	1/1985	Carter	B24D 15/081

					451/555
D280,380	S *	9/1985	Graves	D8/91
D284,736	S	7/1986	Kawai et al.		
D286,738	S *	11/1986	Lucko	D8/91
4,627,194	A	12/1986	Friel		
4,716,689	A	1/1988	Friel		
4,807,399	A	2/1989	Friel		
D303,209	S	9/1989	Friel		
D304,153	S *	10/1989	Reichow	D8/93
D310,620	S	9/1990	Friel		
5,005,319	A	4/1991	Friel		
D328,410	S	8/1992	Friel		
5,148,634	A	9/1992	Bigliano		
5,245,791	A	9/1993	Bigliano		
D375,442	S *	11/1996	Hughes	D8/16
5,611,726	A	3/1997	Friel		
5,782,681	A *	7/1998	Bresnahan	B24D 15/00 451/523
D404,278	S *	1/1999	Gore	D8/91

(Continued)

Primary Examiner — Susan E Krakower

Assistant Examiner — Roselynn Cody

(74) *Attorney, Agent, or Firm* — Drinker Biddle & Reath
LLP

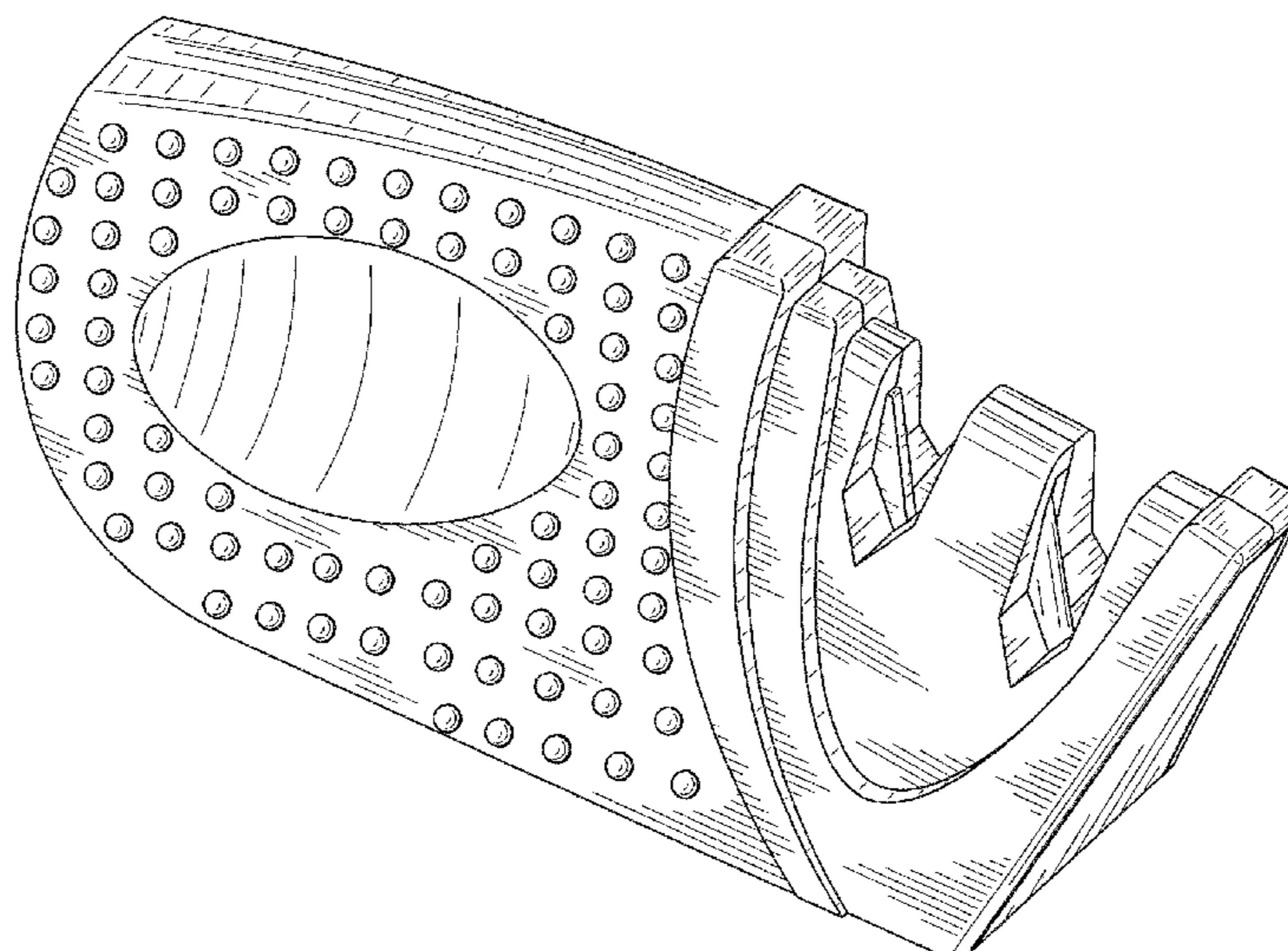
(57) **CLAIM**

We claim the ornamental design for a compact manual sharpener, as shown and described.

DESCRIPTION

FIG. 1 is a top/front/side isometric view of a compact manual sharpener showing our new design;
FIG. 2 is a bottom/rear/side isometric view thereof;
FIG. 3 is a right side view thereof;
FIG. 4 is a left side view thereof;
FIG. 5 is a top plan view thereof;
FIG. 6 is a bottom plan view thereof;
FIG. 7 is a rear view thereof; and,
FIG. 8 is a front view thereof.
The broken lines in FIGS. 2, 4, and 5 illustrate a portion of the design that forms no part of the claim.

1 Claim, 7 Drawing Sheets



(56)

References Cited

U.S. PATENT DOCUMENTS

D405,336	S *	2/1999	Hepworth	D8/98	7,452,262	B2	11/2008	Friel	
D409,891	S	5/1999	Friel			7,488,241	B2	2/2009	Elek et al.	
6,012,971	A	1/2000	Friel			7,494,403	B2	2/2009	Friel	
6,039,642	A *	3/2000	Collins	B24D 15/06 451/45	7,517,275	B2	4/2009	Friel	
6,113,476	A	9/2000	Friel			D593,392	S *	6/2009	Domonoske D8/98
6,267,652	B1	7/2001	Friel			D605,918	S	12/2009	Deglon	
6,802,763	B1	10/2004	Leung			7,686,676	B2	3/2010	Friel	
D499,004	S *	11/2004	Smith	D8/91	D614,009	S	4/2010	Deglon	
6,863,600	B2	3/2005	Friel			D620,332	S	7/2010	Elek	
6,875,093	B2	4/2005	Friel			D632,153	S	2/2011	Walker et al.	
6,881,137	B2	4/2005	Friel			8,043,143	B2	10/2011	Elek	
6,932,683	B2	8/2005	Li			D651,887	S	1/2012	Elek	
6,997,795	B2	2/2006	Friel			D652,284	S	1/2012	Elek	
D529,361	S *	10/2006	Brookman	D8/91	D654,342	S *	2/2012	Cavanaugh, Jr. D8/93
D542,616	S	5/2007	Elek			D665,647	S	8/2012	Friel	
D543,430	S	5/2007	Barr			8,267,750	B2	9/2012	Friel	
7,235,004	B2	6/2007	Friel			D680,399	S	4/2013	Elek et al.	
7,287,445	B2	10/2007	Friel			D680,845	S *	4/2013	Smith et al. D8/93
D567,611	S	4/2008	Elek			D721,564	S *	1/2015	Purnomohadi D8/98
D575,124	S	8/2008	Smith			D723,898	S *	3/2015	Smith et al. D8/105
D575,130	S *	8/2008	Smith	D8/93	D731,278	S *	6/2015	Cavanaugh D8/105
						D744,803	S *	12/2015	Johnson D8/93
						D744,804	S *	12/2015	Johnson D8/93
						D745,819	S *	12/2015	Bloch D8/93
						2009/0233530	A1	9/2009	Friel	

* cited by examiner

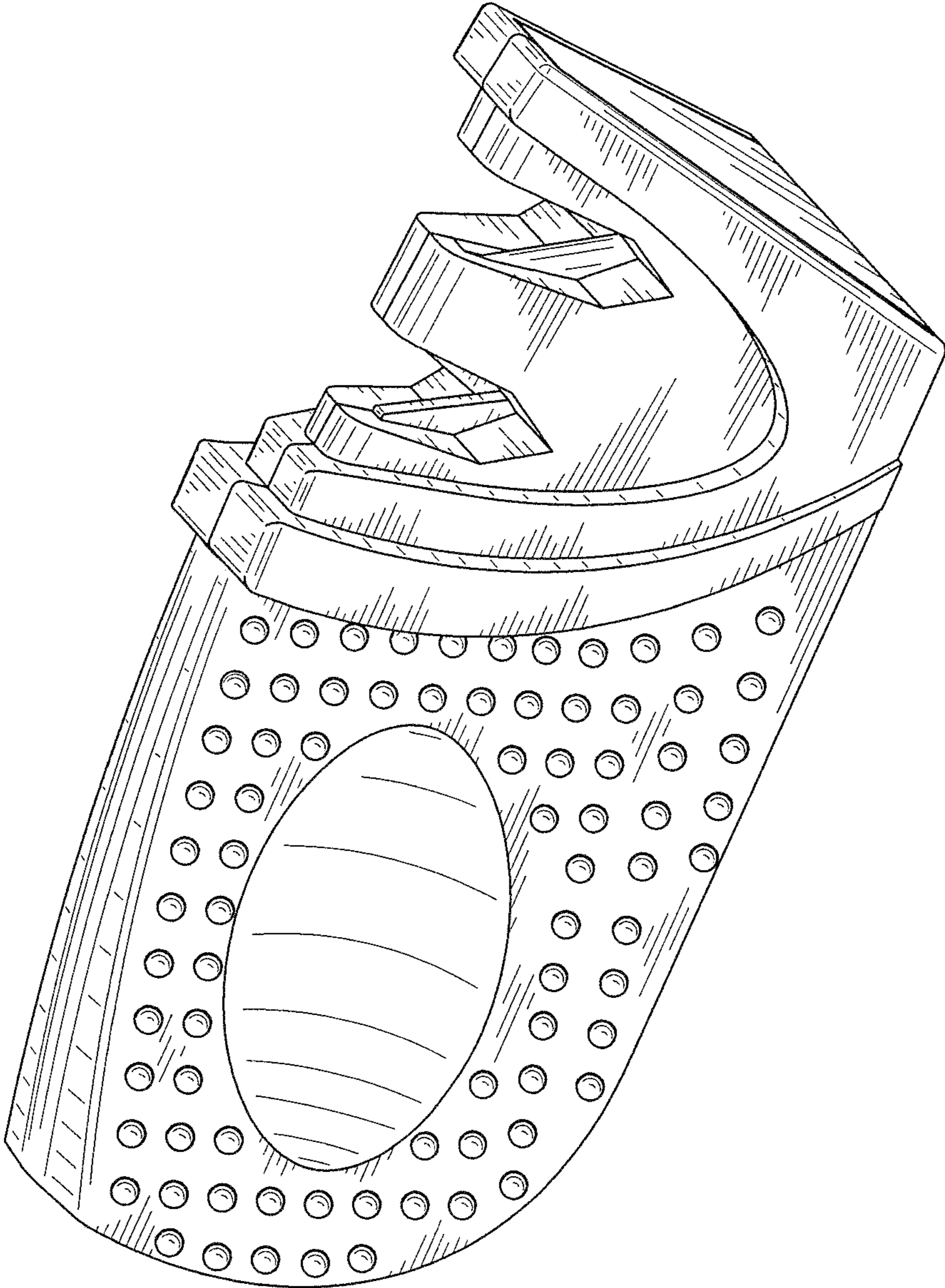


FIG. 1

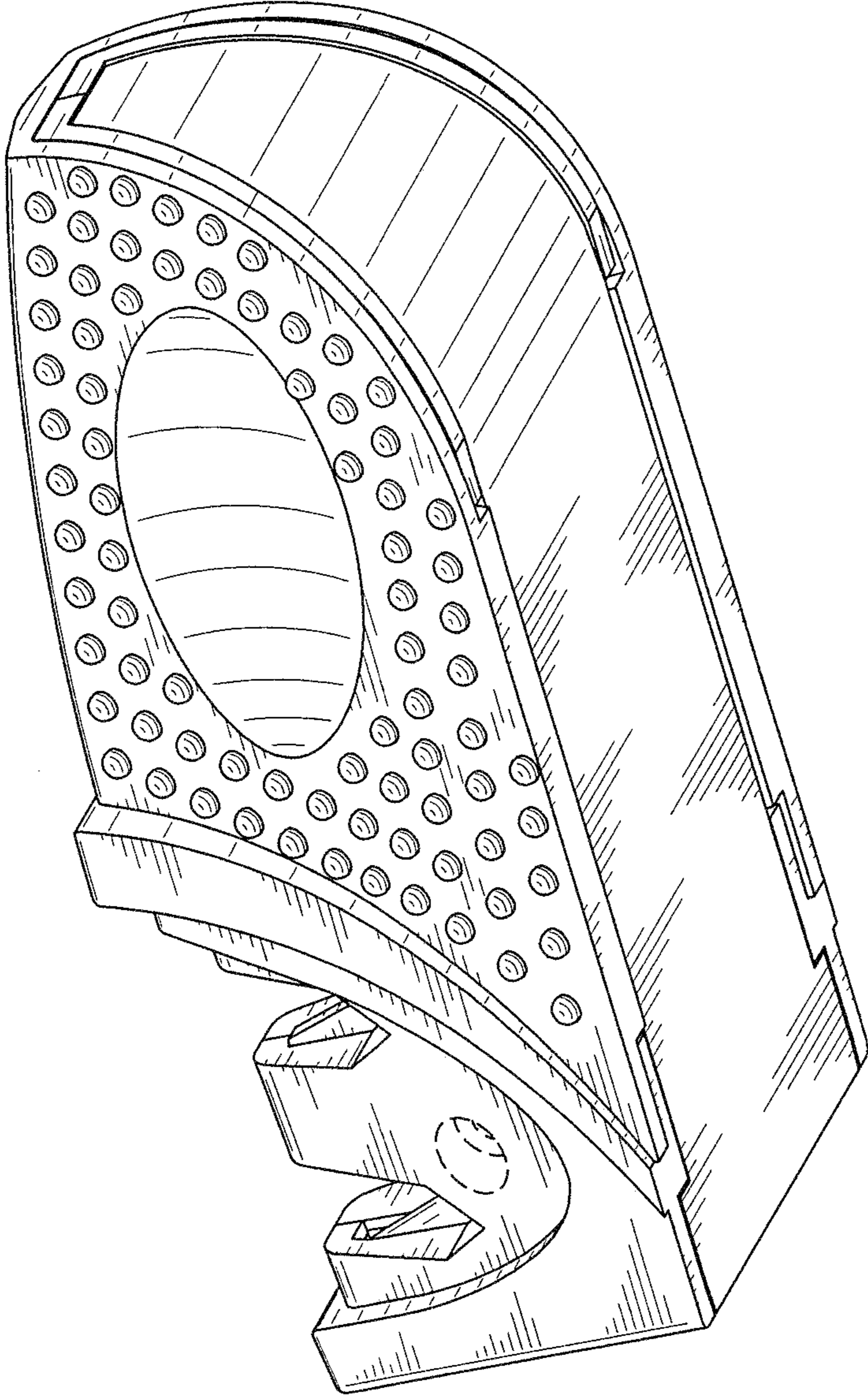


FIG. 2

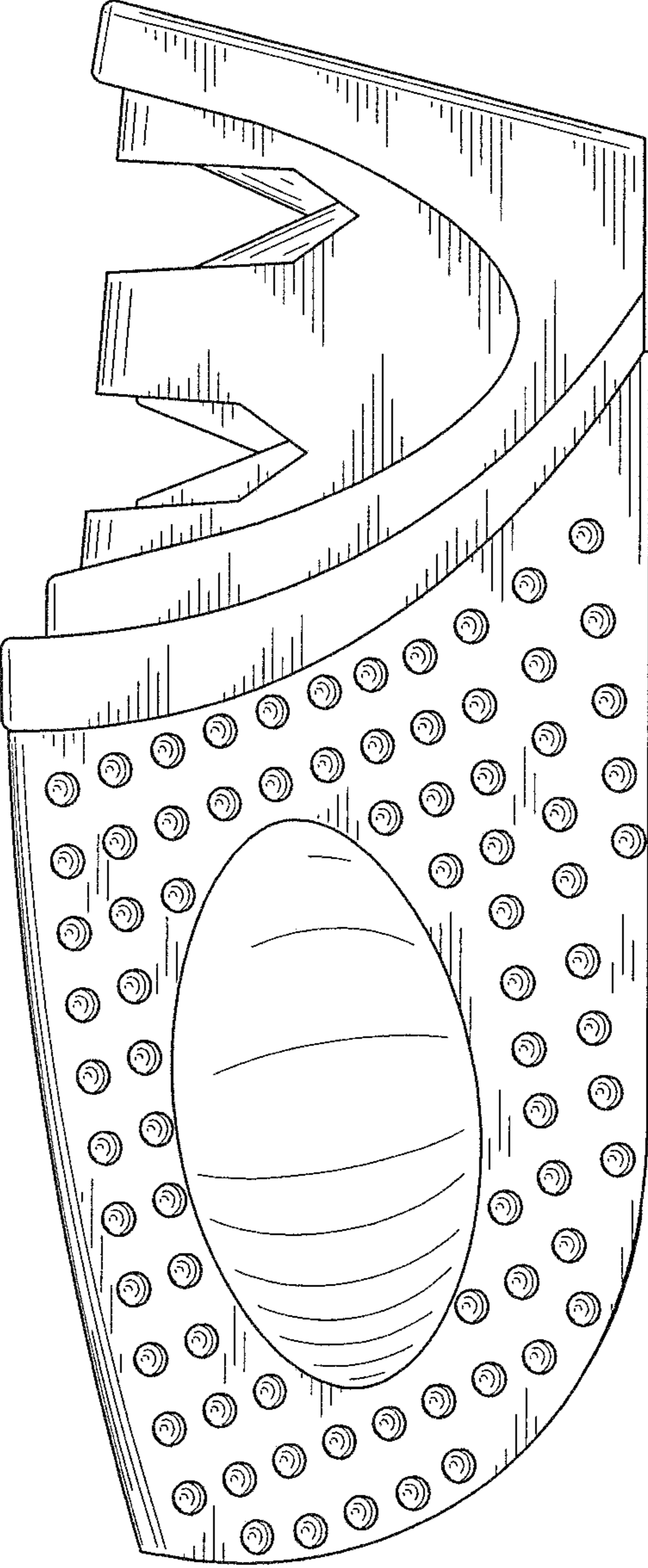


FIG. 3

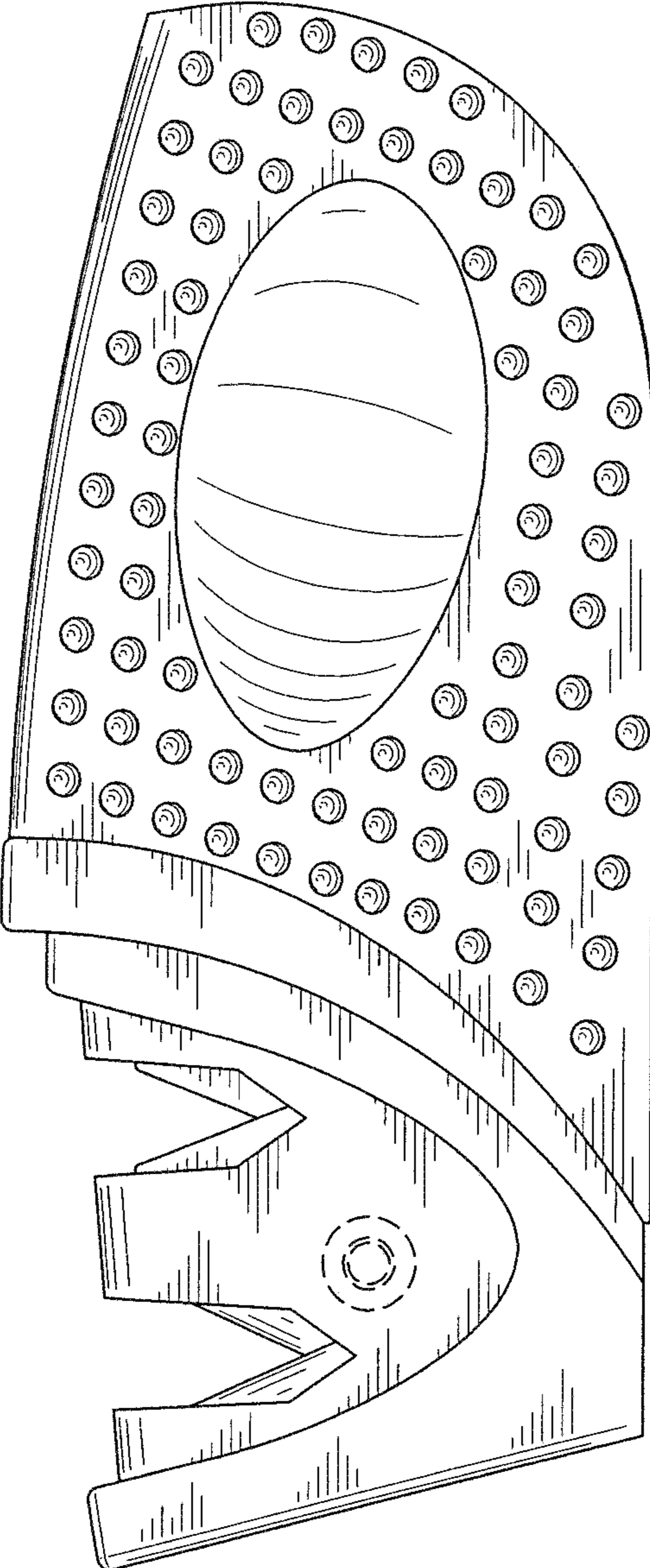


FIG. 4

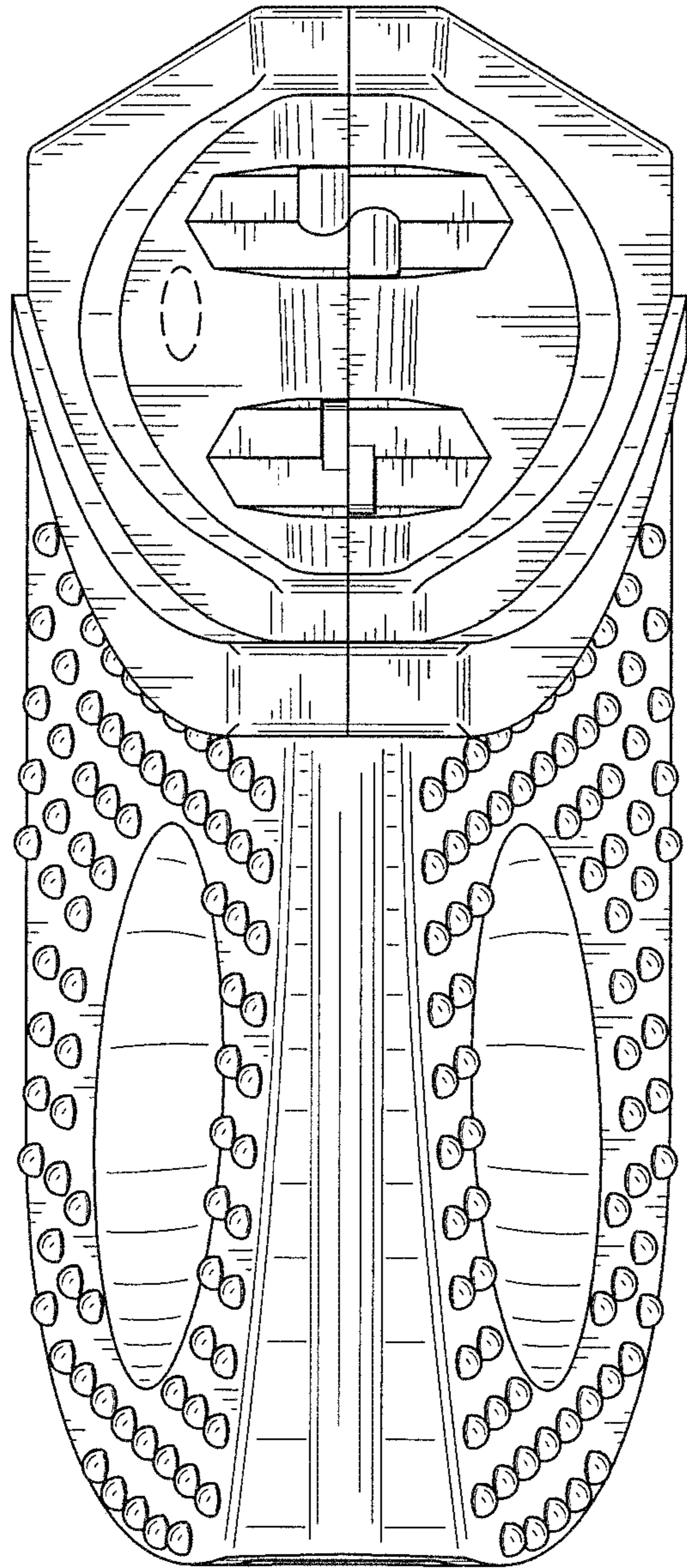


FIG. 5

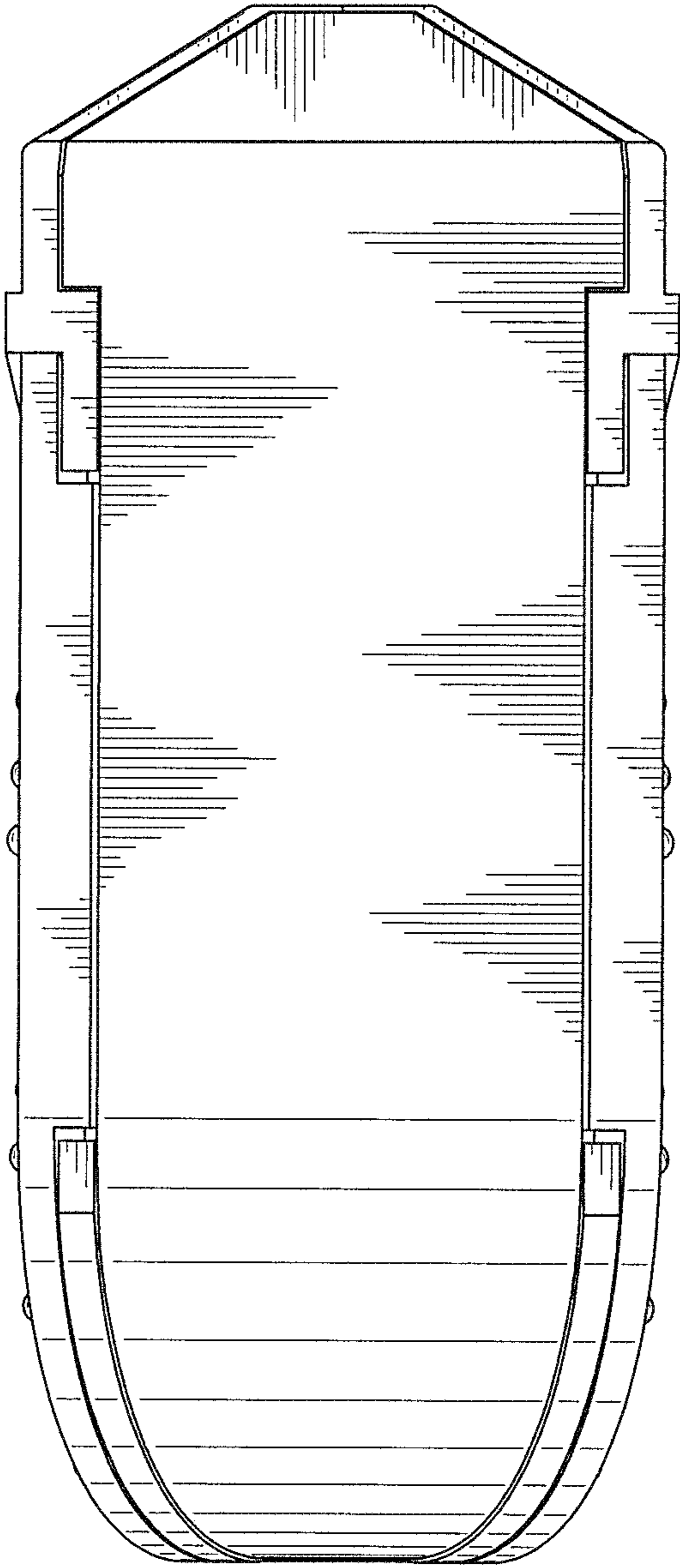


FIG. 6

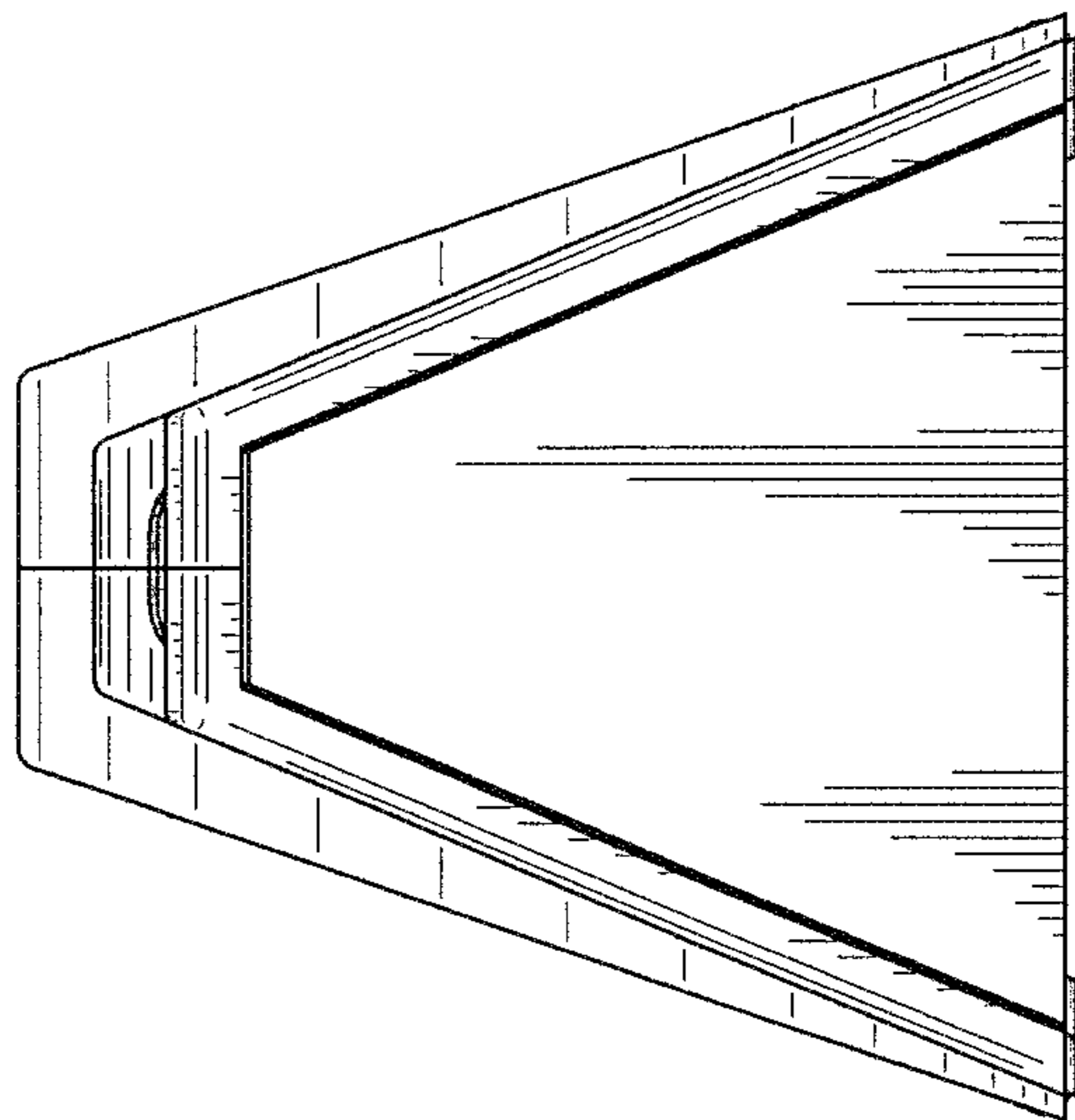


FIG. 8

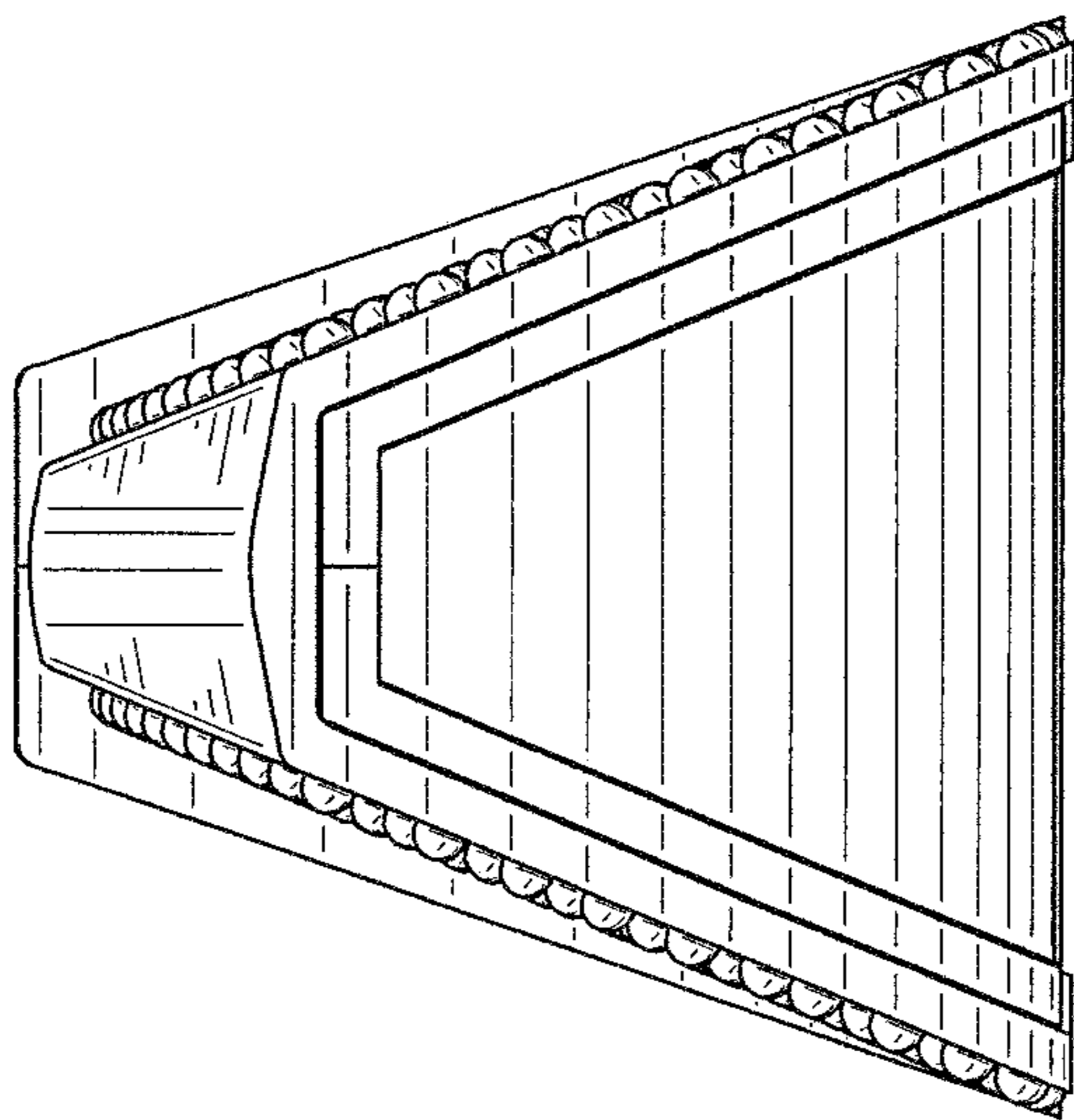


FIG. 7