



US00D754512S

(12) **United States Design Patent**  
**Nelson**

(10) **Patent No.:** **US D754,512 S**  
(45) **Date of Patent:** **\*\* Apr. 26, 2016**

(54) **TOOL HANDLE**

D734,114 S \* 7/2015 Robinson ..... D8/83

(71) Applicant: **Homer TLC, Inc.**, Wilmington, DE  
(US)

\* cited by examiner

(72) Inventor: **Michael Nelson**, Peachtree City, GA  
(US)

*Primary Examiner* — Philip S Hyder

*Assistant Examiner* — Roselynn Cody

(73) Assignee: **Home Depot Product Authority, LLC**,  
Atlanta, GA (US)

(74) *Attorney, Agent, or Firm* — Greenberg Traurig, LLP

(57) **CLAIM**

The ornamental design for a tool handle, as shown and described.

(\*\*) Term: **14 Years**

**DESCRIPTION**

(21) Appl. No.: **29/488,943**

FIG. 1 is a perspective view of my tool handle;

(22) Filed: **Apr. 24, 2014**

FIG. 2 is a side view thereof;

(51) **LOC (10) Cl.** ..... **08-04**

FIG. 3 is another side view thereof, opposite the side view shown in FIG. 2;

(52) **U.S. Cl.**

FIG. 4 is a front view thereof;

USPC ..... **D8/83**

FIG. 5 is a back view thereof;

(58) **Field of Classification Search**

USPC ..... D8/21, 24–26, 29, 61, 82–87, 107;  
81/52, 53.1, 177.7, 467, 480, 489–491

FIG. 6 is a top view thereof; and,

CPC ..... A47J 43/26; B25B 13/463; B25B 13/468;  
B25B 15/04; B25B 1/005; B25B 1/085

FIG. 7 is a bottom view thereof.

See application file for complete search history.

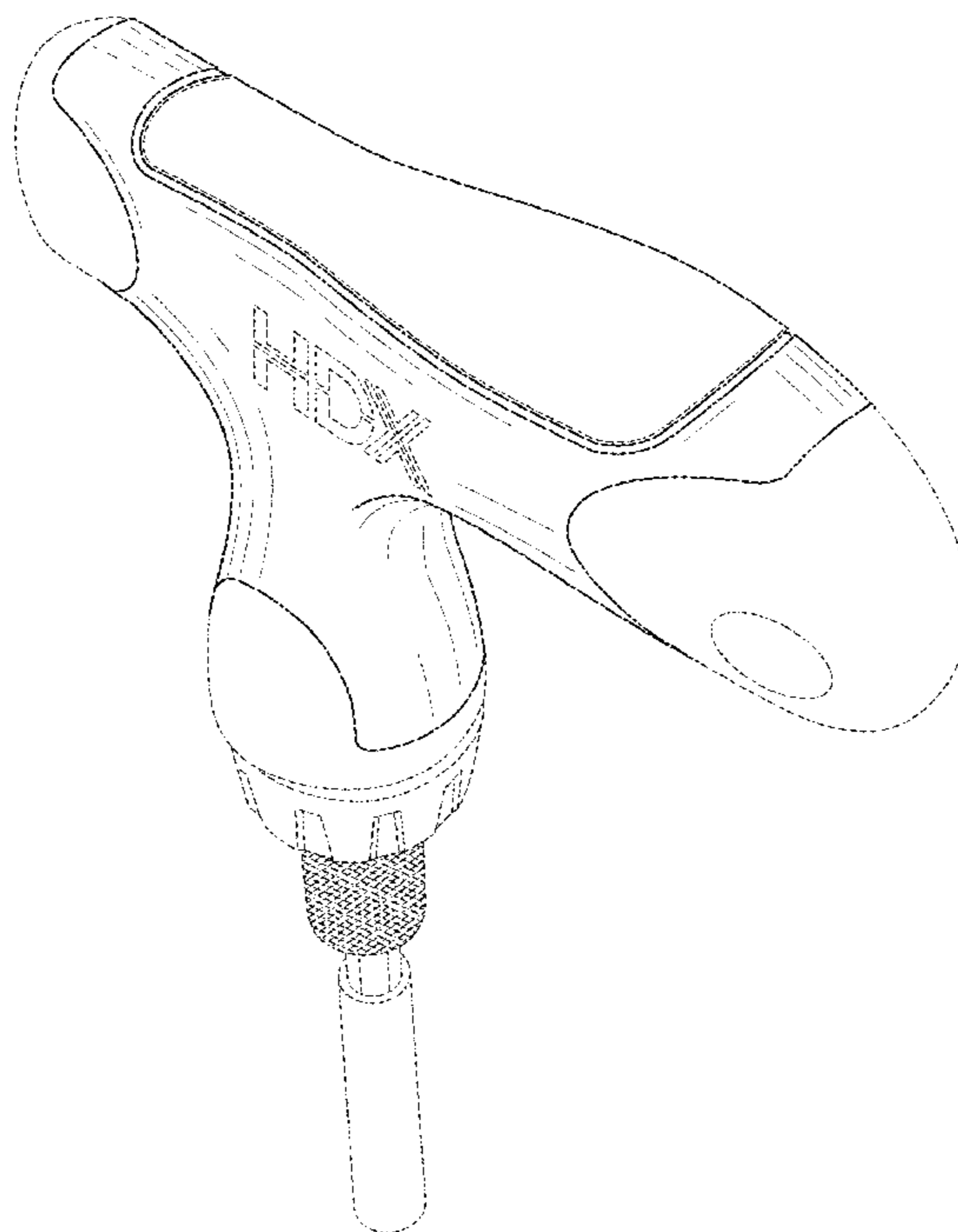
The dashed lines outside of the claimed tool handle represent environmental structure that forms no part of the claimed design; specifically, some such dashed lines show aspects of an example tool (a ratchet) with which the claimed tool handle may be used. Other dashed lines show that while a logo may (but need not) be used with the claimed design, no particular logo is claimed. The dashed line border just inside the claimed boundary of the front surface portion and back surface portion shown completely in FIG. 6 and partially in FIGS. 1-3 and 5 indicates no claim to the appearance of that surface.

(56) **References Cited**

**U.S. PATENT DOCUMENTS**

D613,144 S \* 4/2010 Lin ..... D8/107  
D618,527 S \* 6/2010 Deguglimo ..... D8/29  
8,601,916 B2 \* 12/2013 Chen ..... B25B 15/00  
7/143

**1 Claim, 5 Drawing Sheets**



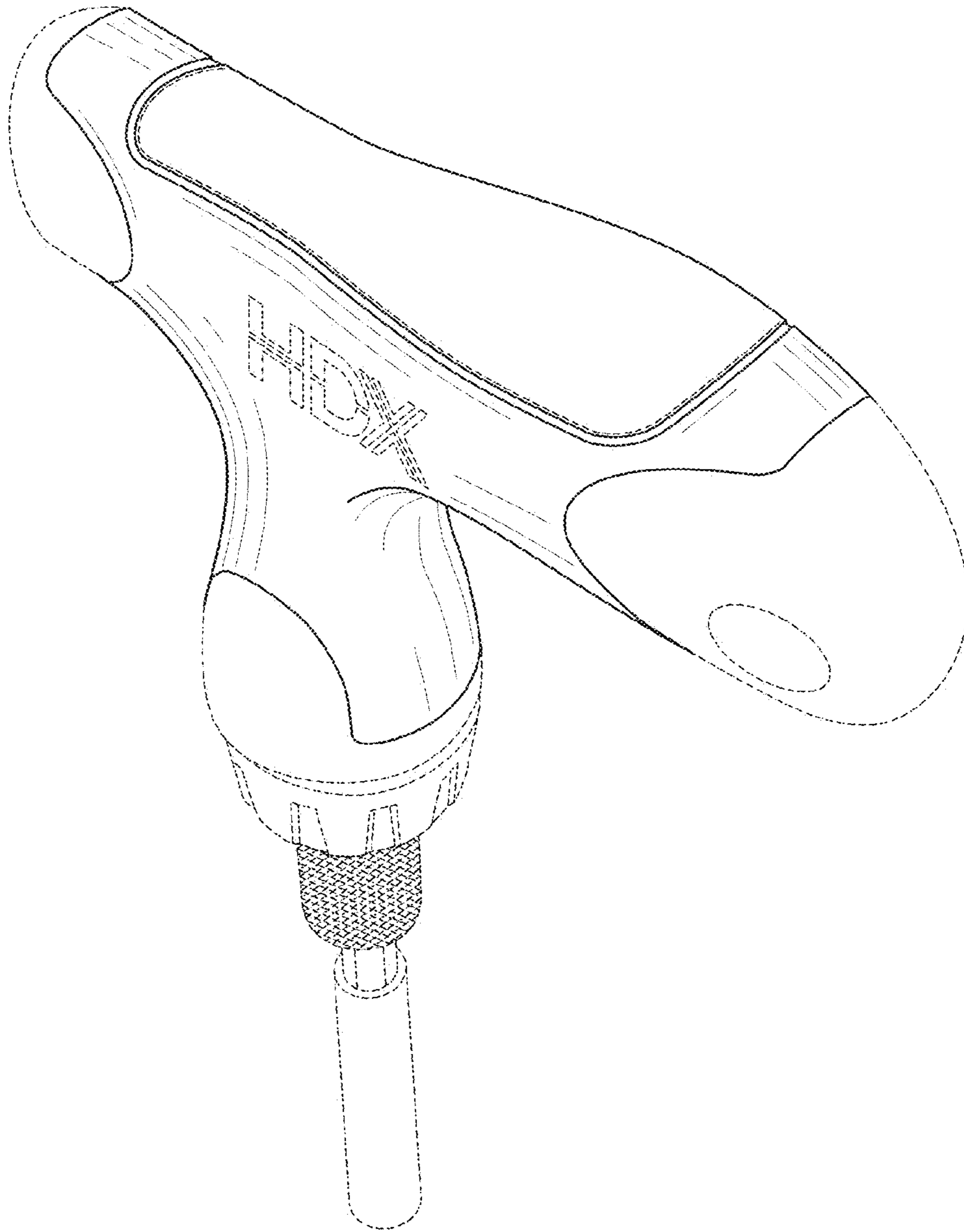


FIG. 1

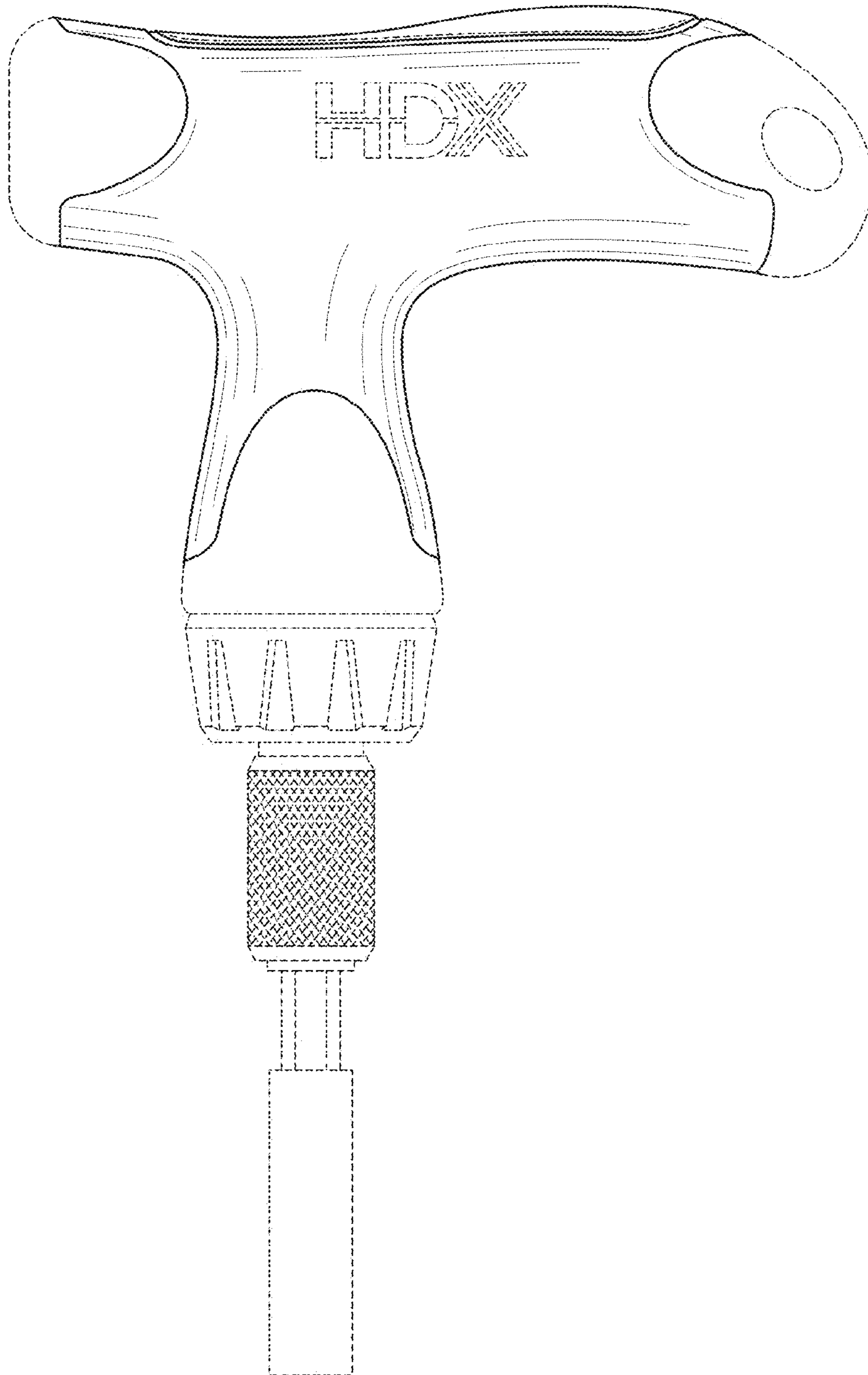


FIG. 2

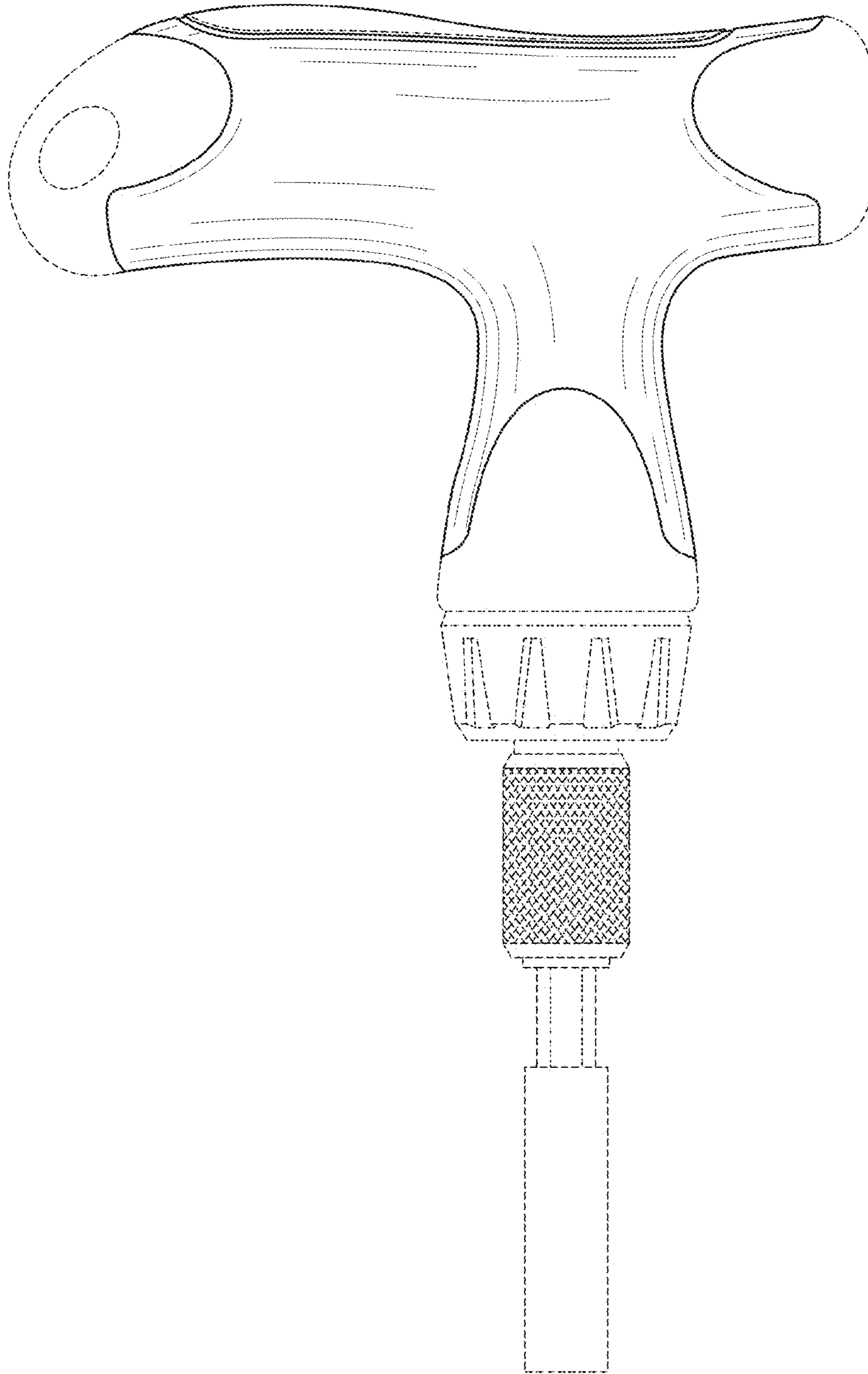


FIG. 3

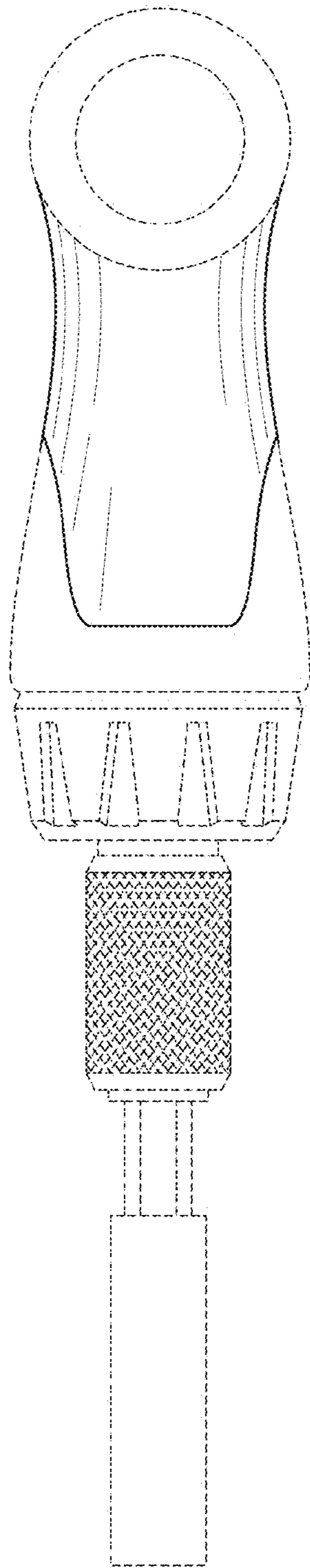


FIG. 4

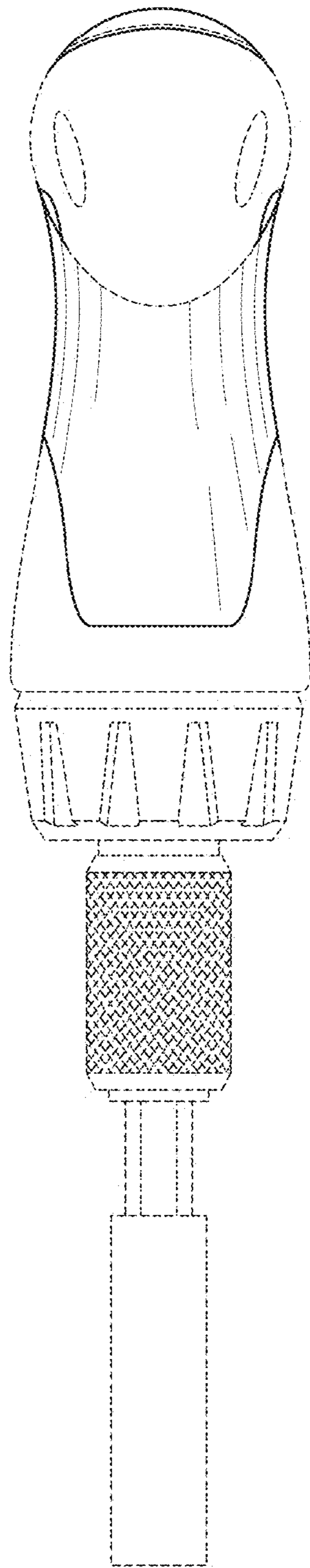


FIG. 5

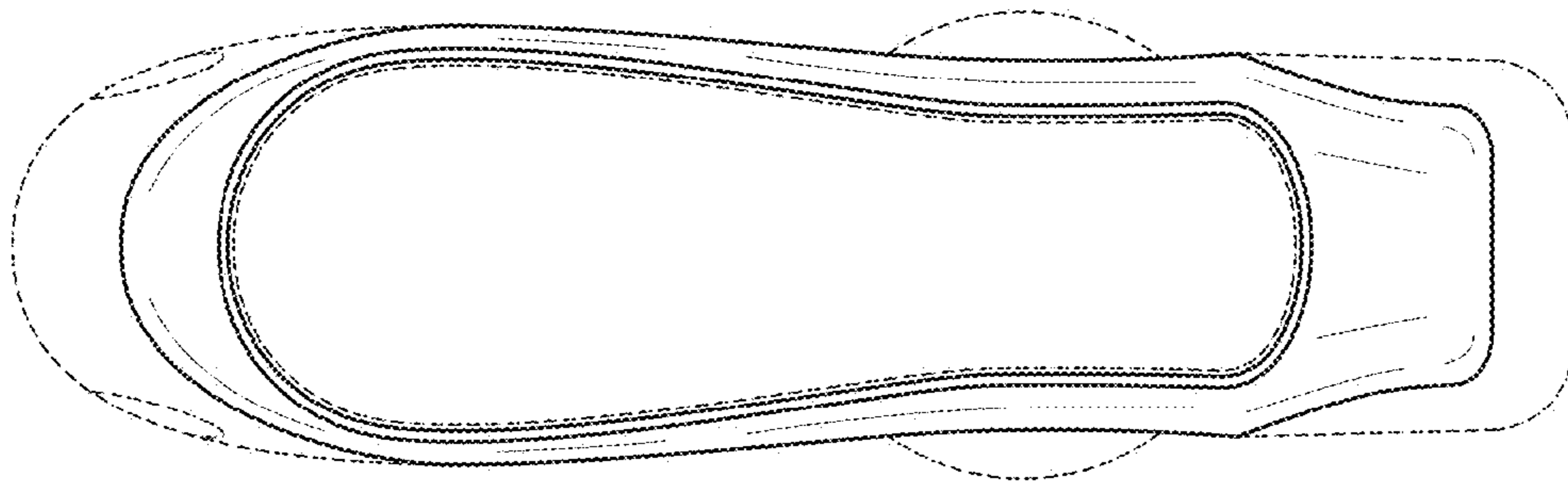


FIG. 6

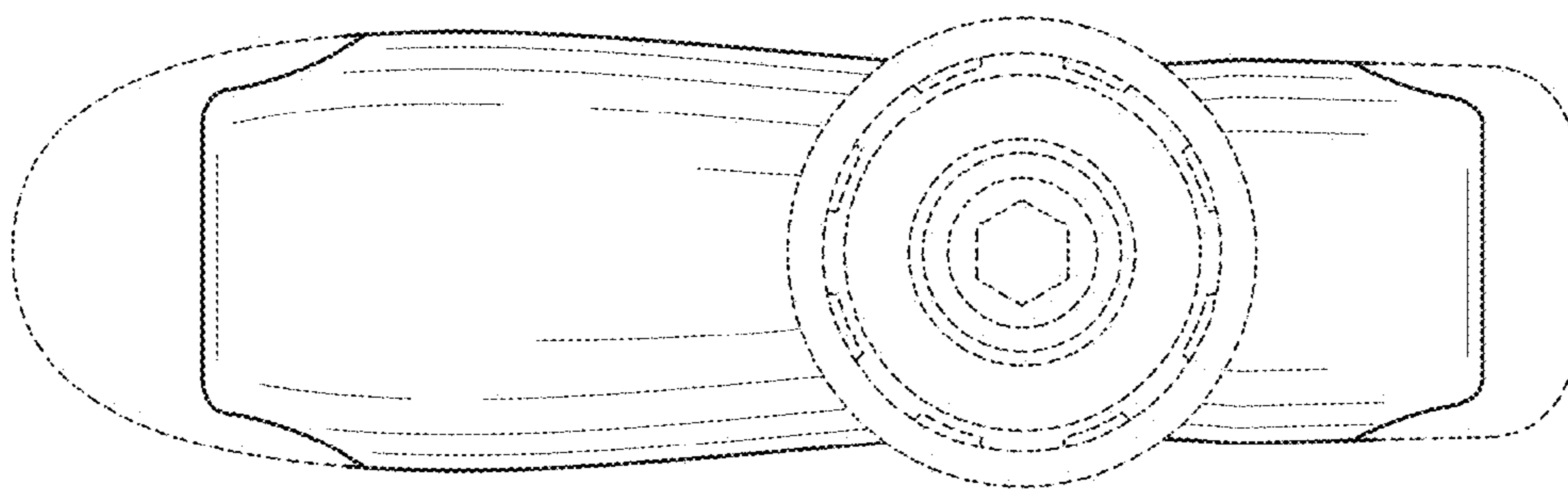


FIG. 7