



US00D754511S

(12) **United States Design Patent**
Nelson

(10) **Patent No.:** **US D754,511 S**

(45) **Date of Patent:** **** Apr. 26, 2016**

(54) **TOOL HANDLE**

(71) Applicant: **Homer TLC, Inc.**, Wilmington, DE
(US)

(72) Inventor: **Michael Nelson**, Peachtree City, GA
(US)

(73) Assignee: **HOME DEPOT PRODUCT**
AUTHORITY, LLC, Atlanta, GA (US)

(**) Term: **14 Years**

(21) Appl. No.: **29/488,948**

(22) Filed: **Apr. 24, 2014**

(51) **LOC (10) Cl.** **08-02**

(52) **U.S. Cl.**
USPC **D8/80**

(58) **Field of Classification Search**
USPC D8/75-81, 107, 303, 307; D22/117;
81/19-26, 489-490; 254/26 R; D7/395
CPC B23K 9/28; B25F 1/00; B25D 1/00;
B25D 1/02; B25D 1/04; B25D 1/045; B25D
1/06; B25D 1/12; B25G 1/02
See application file for complete search history.

(56) **References Cited**

U.S. PATENT DOCUMENTS

D532,277 S *	11/2006	Shih	D8/107
D532,278 S *	11/2006	Shih	D8/107
D560,426 S *	1/2008	Prakasa	D7/395
D607,708 S *	1/2010	Himbert	D8/107
D610,433 S *	2/2010	Garcia	D8/107
D610,895 S *	3/2010	Garcia	D8/107

D643,275 S *	8/2011	Wang	D8/107
D661,962 S *	6/2012	Garcia	D8/80
D681,415 S *	5/2013	Boies	D8/80
2015/0158164 A1 *	6/2015	Chern	B25G 1/01 81/22

* cited by examiner

Primary Examiner — Philip S Hyder

Assistant Examiner — Roselynn Cody

(74) *Attorney, Agent, or Firm* — Greenberg Traurig, LLP

(57) **CLAIM**

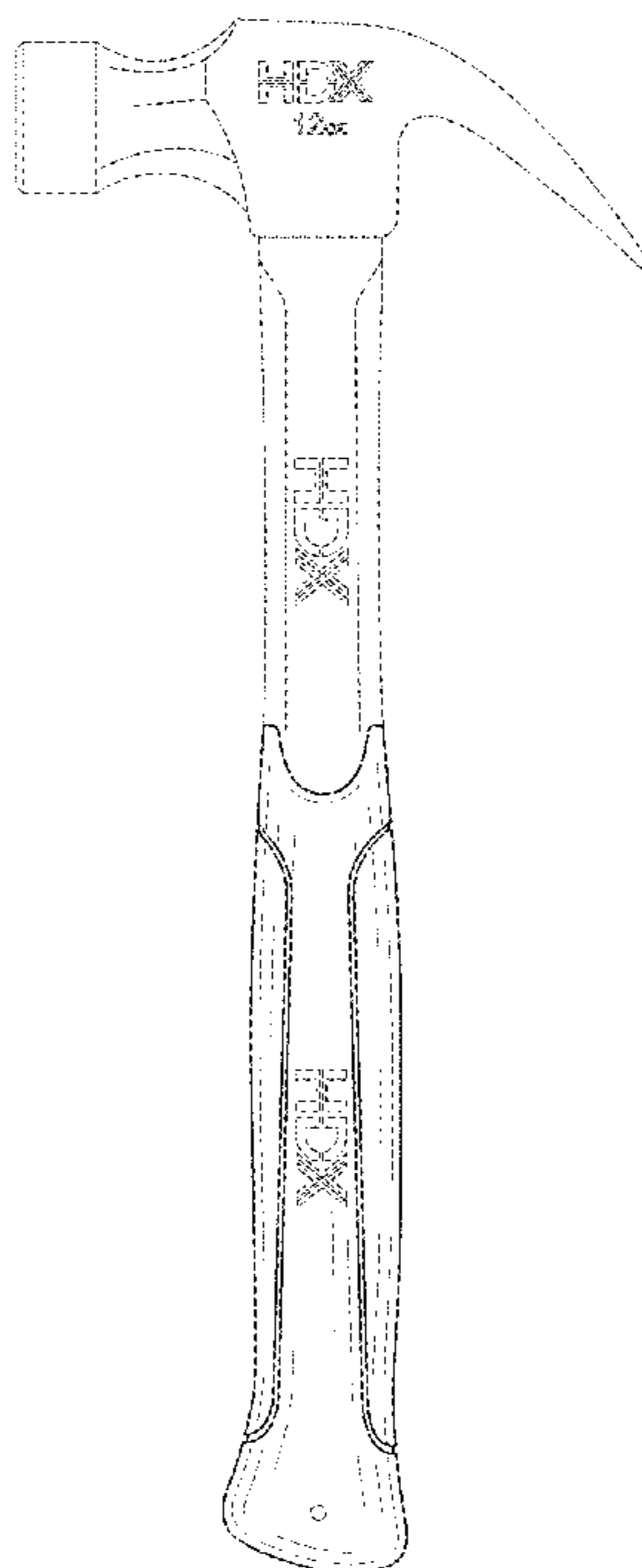
The ornamental design for a tool handle, as shown and described.

DESCRIPTION

FIG. 1 is a perspective view of my tool handle;
FIG. 2 is a side view thereof;
FIG. 3 is another side view thereof, opposite the side view shown in FIG. 2;
FIG. 4 is a front view thereof;
FIG. 5 is a back view thereof;
FIG. 6 is a top view thereof; and,
FIG. 7 is a bottom view thereof.

The dashed lines outside of the claimed tool handle represent environmental structure that forms no part of the claimed design; specifically, some such dashed lines show aspects of an example tool (a hammer) with which the claimed tool handle may be used. Other dashed lines show that while a logo may (but need not) be used with the claimed design, no particular logo is claimed. All other surface(s) and portion(s) of the tool handle not shown in the figures or otherwise described in the specification form no part of the claimed design.

1 Claim, 5 Drawing Sheets



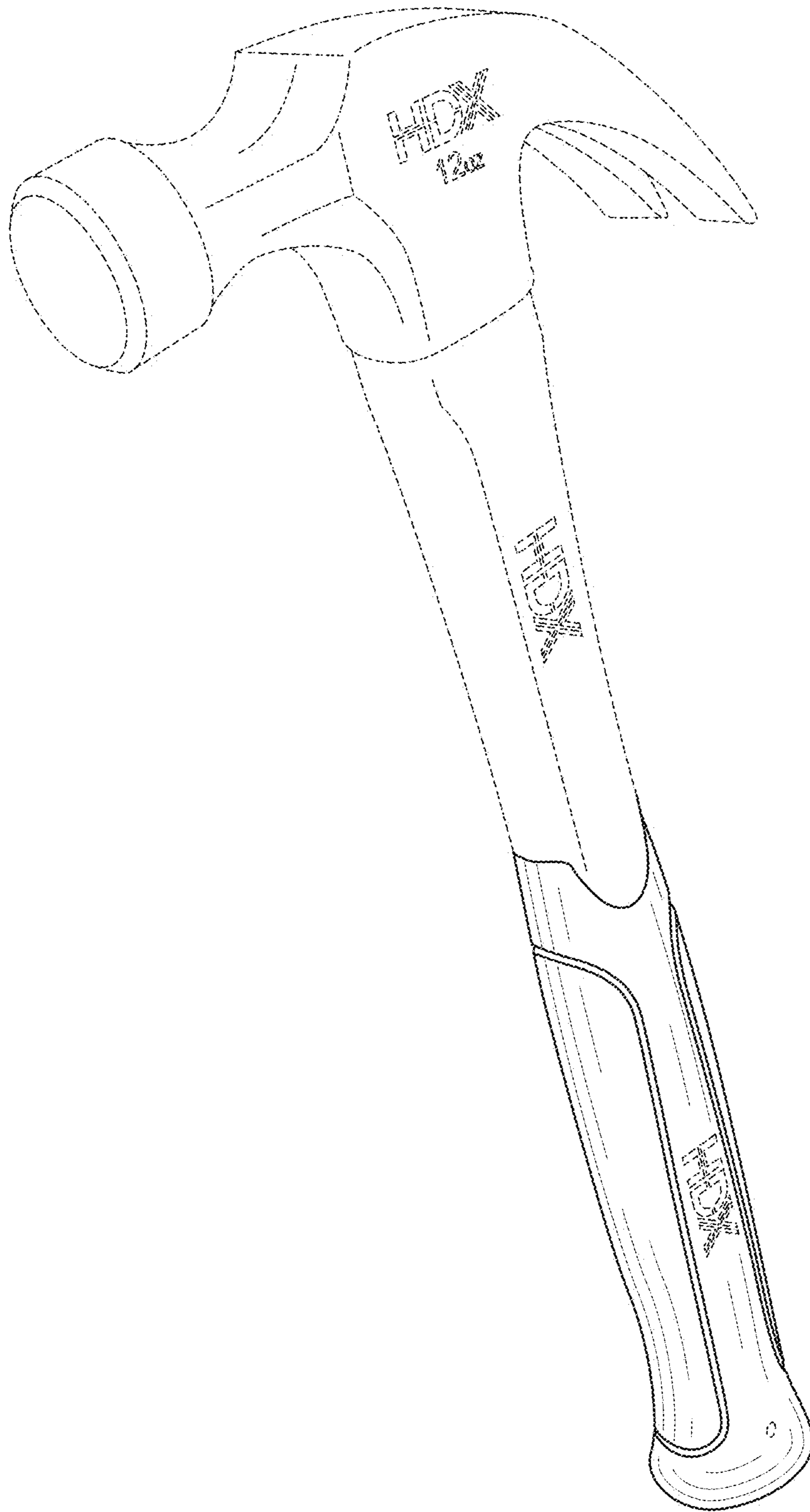


FIG. 1

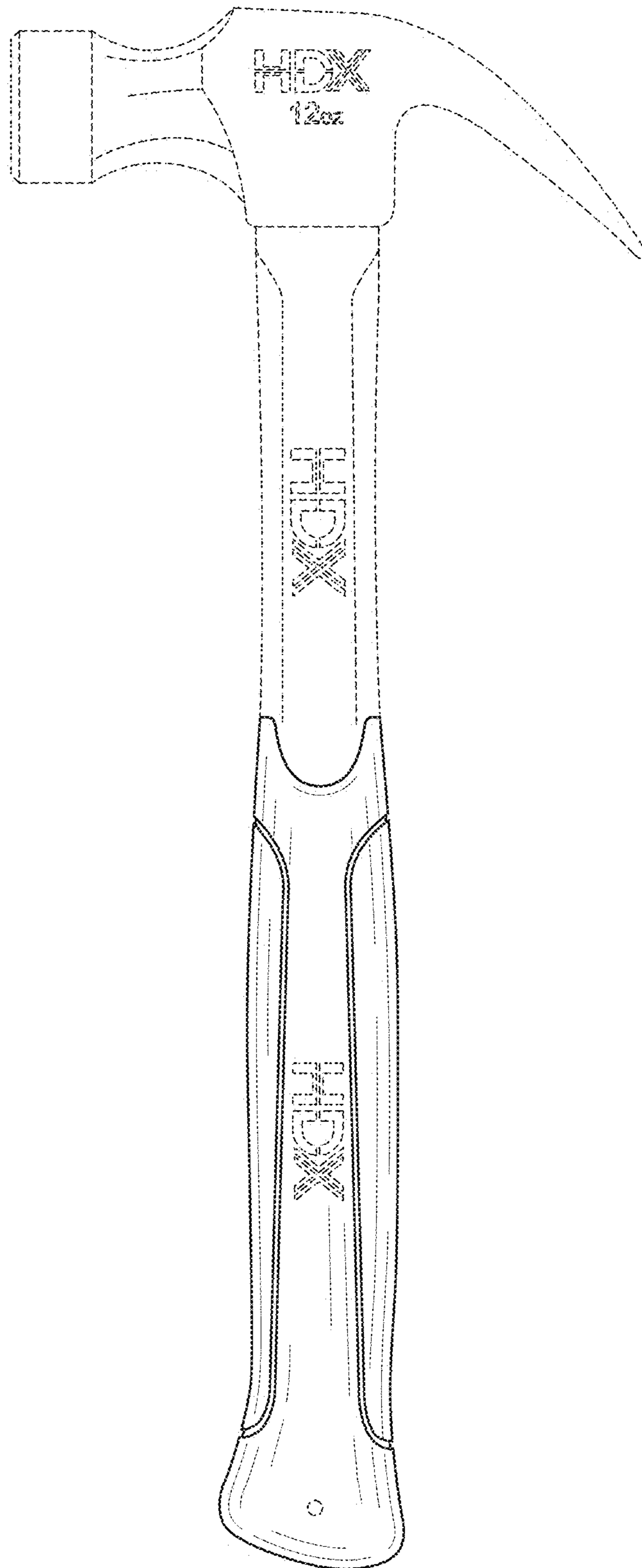


FIG. 2

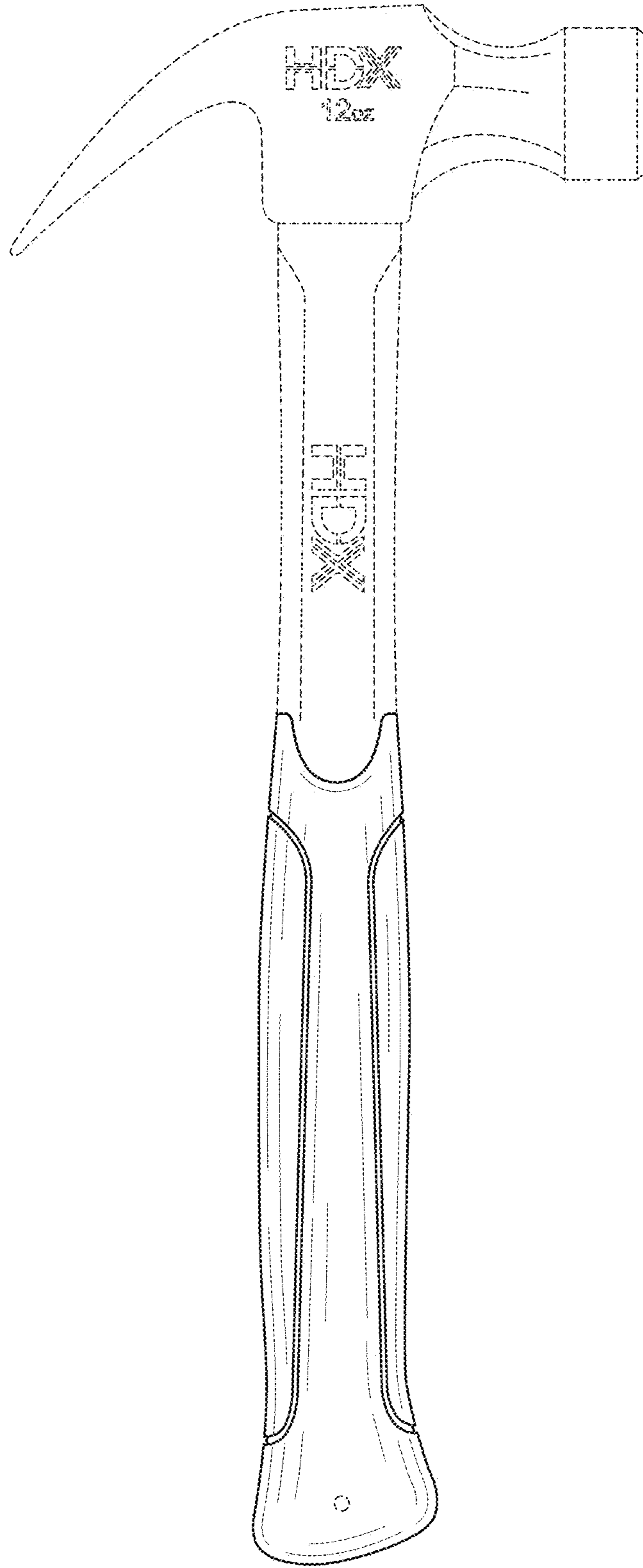


FIG. 3

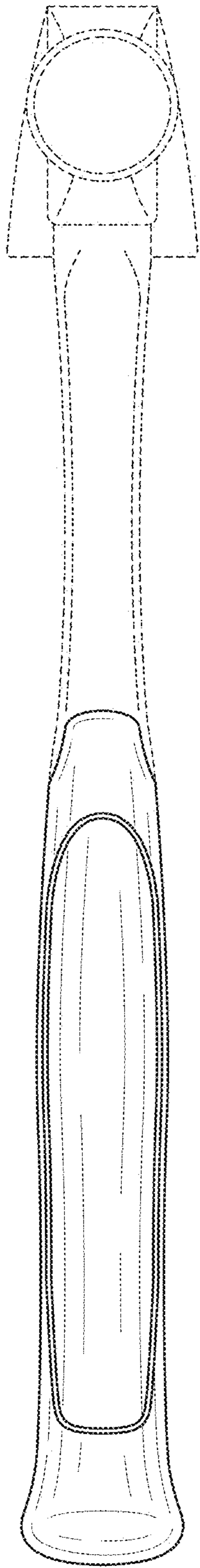


FIG. 4

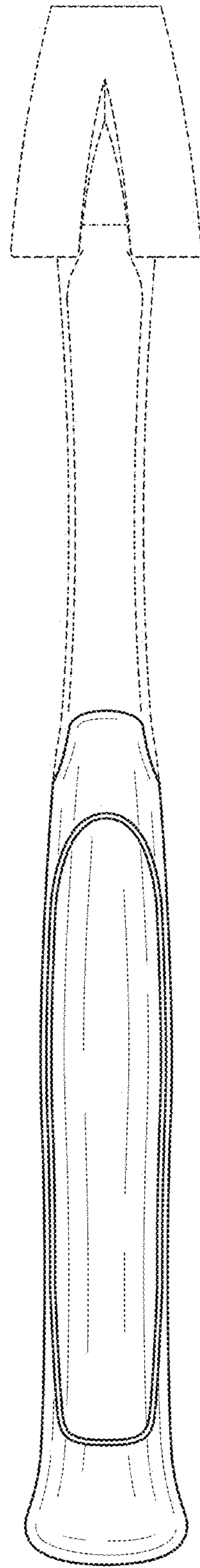


FIG. 5

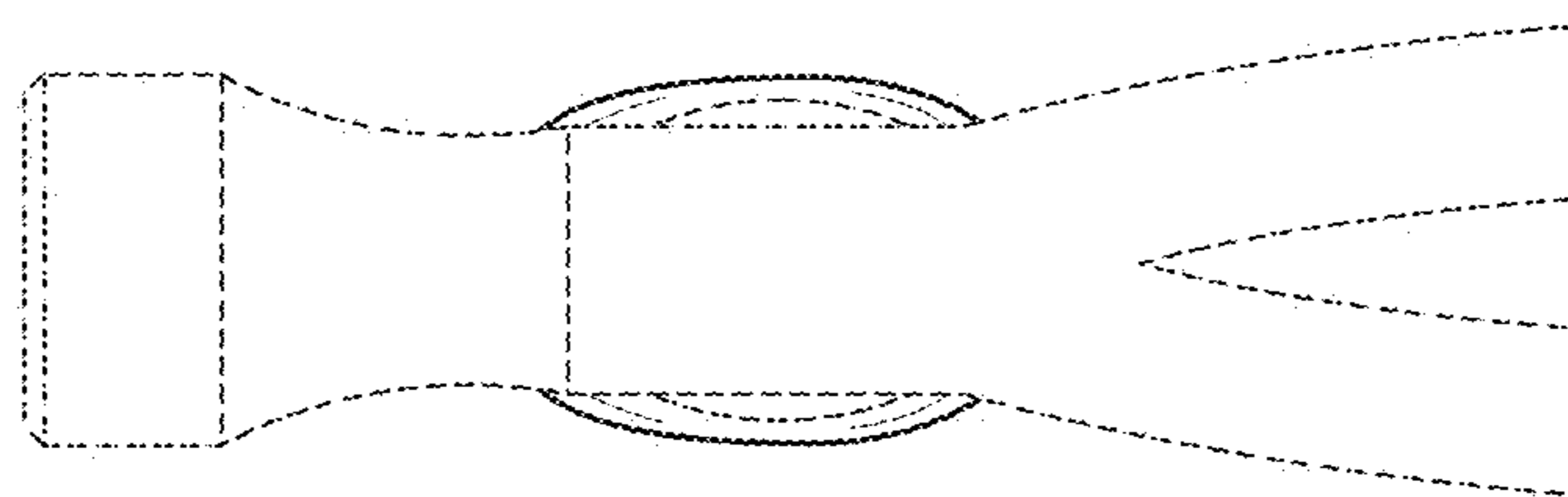


FIG. 6

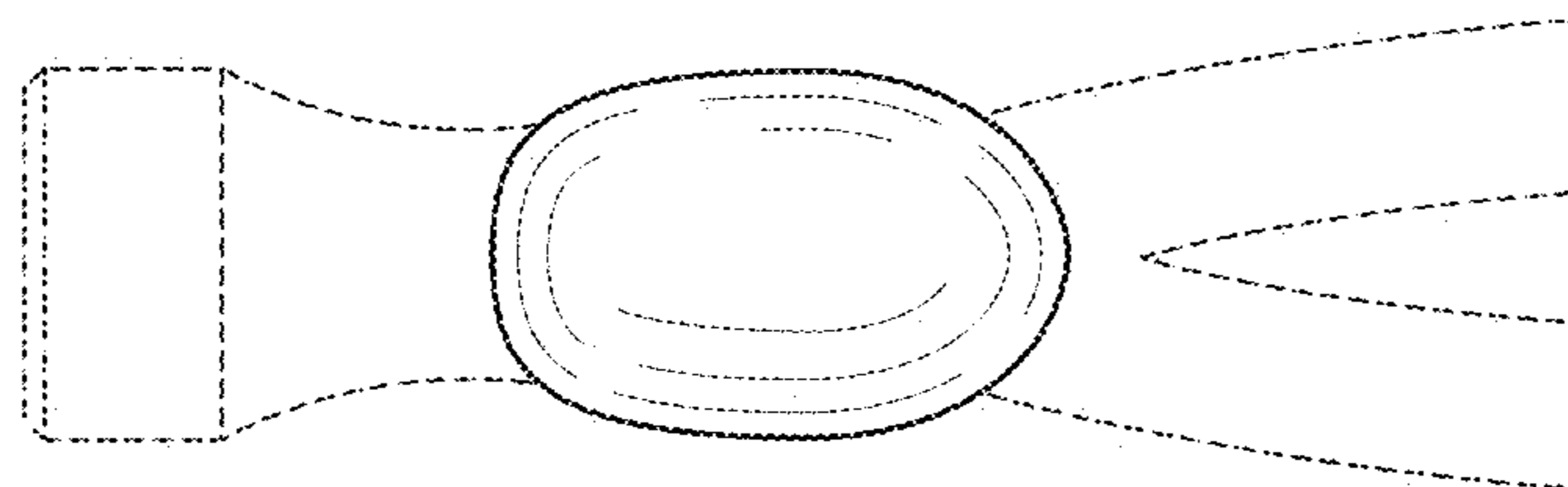


FIG. 7