

US00D754509S

(12) **United States Design Patent**
Lee

(10) **Patent No.:** **US D754,509 S**
(45) **Date of Patent:** **** Apr. 26, 2016**

(54) **PORTABLE POWER SAW MACHINE WITH SUPPORT**

(71) Applicant: **Chao-Ying Lee**, Riverside, CA (US)

(72) Inventor: **Chao-Ying Lee**, Riverside, CA (US)

(**) Term: **14 Years**

(21) Appl. No.: **29/516,516**

(22) Filed: **Feb. 3, 2015**

(51) **LOC (10) Cl.** **08-03**

(52) **U.S. Cl.**
USPC **D8/66**

(58) **Field of Classification Search**
USPC D8/69, 68, 67, 66, 64, 61, 70;
83/698.41, 747, 166.3, 374, 373, 375,
83/376, 391, 377, 390, 388, 389; 30/122,
30/124, 329; 144/218; D21/532
CPC B27B 9/00; B27B 9/02; B27B 5/02;
B27B 5/18; B27B 33/08; B28D 1/04; B28D
1/045; B23D 45/00; B23D 45/16; B23D
47/02

See application file for complete search history.

(56) **References Cited**

U.S. PATENT DOCUMENTS

7,101,295 B2* 9/2006 Taomo B23D 47/12
474/117
7,131,897 B2* 11/2006 Crover B23D 45/006
451/311

7,137,877 B2* 11/2006 Uhl B23D 45/16
451/358
D561,551 S * 2/2008 Tinius D8/66
D579,742 S * 11/2008 Arvidsson D8/66
D596,912 S * 7/2009 Arvidsson D8/66
D609,070 S * 2/2010 Tinius D8/62
D640,110 S * 6/2011 Tinius D8/65
D644,081 S * 8/2011 Rettenweber D8/66
D648,998 S * 11/2011 Sell D8/66
D663,600 S * 7/2012 Okuda D8/66
D711,716 S * 8/2014 Tinius D8/65
D713,702 S * 9/2014 Perez D8/66
D743,226 S * 11/2015 Aoki D8/66
2001/0003983 A1* 6/2001 Iida B23D 45/16
125/13.01

* cited by examiner

Primary Examiner — Austin Murphy

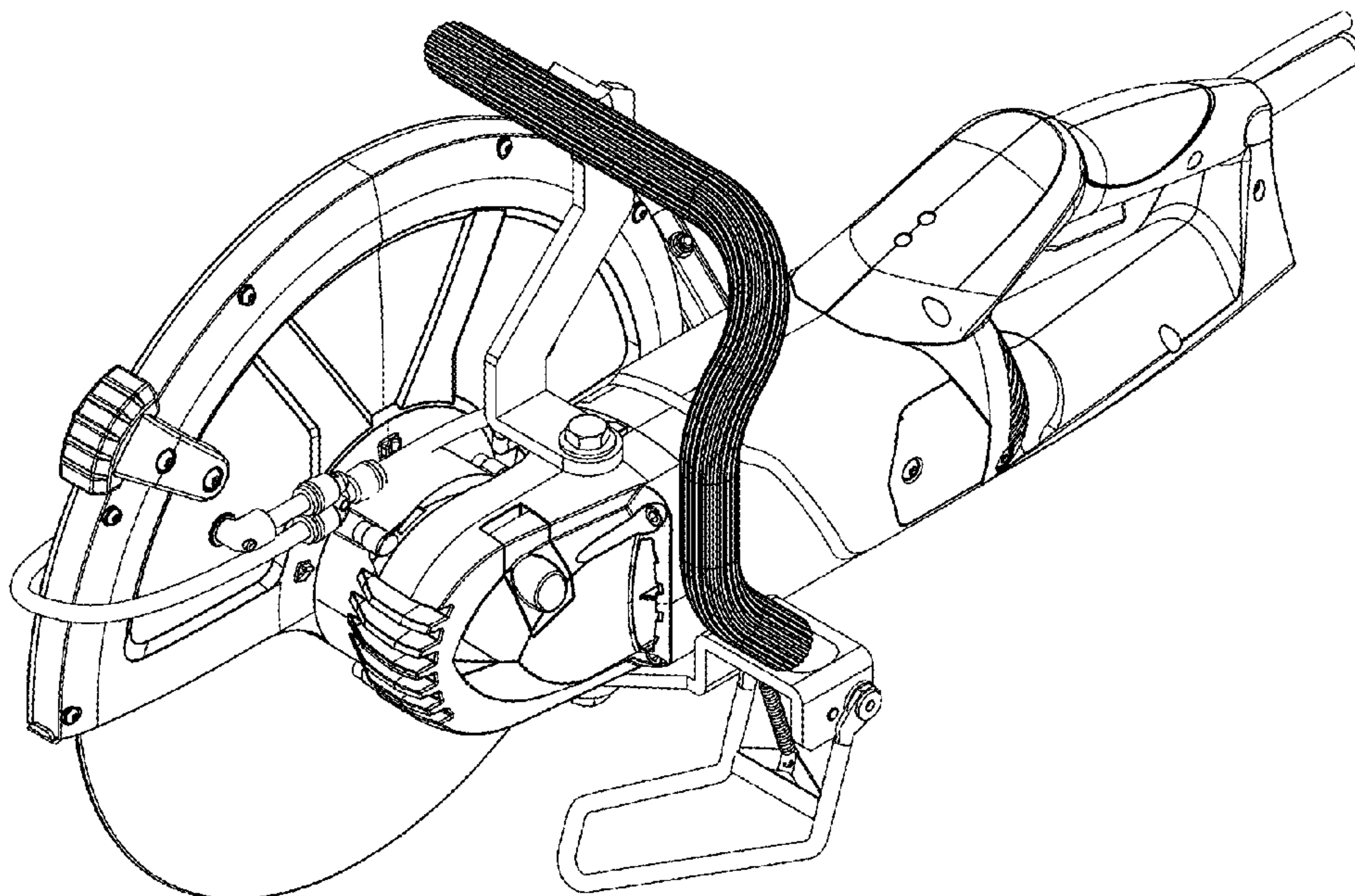
(57) **CLAIM**

The ornamental design for a portable power saw machine with support, as shown.

DESCRIPTION

FIG. 1 is a perspective view showing my new design.
FIG. 2 is a front view thereof.
FIG. 3 is a rear view thereof.
FIG. 4 is a top view thereof, and,
FIG. 5 is a right end view thereof.
FIG. 6 is a left end view thereof; and,
FIG. 7 is a bottom view thereof.

1 Claim, 7 Drawing Sheets



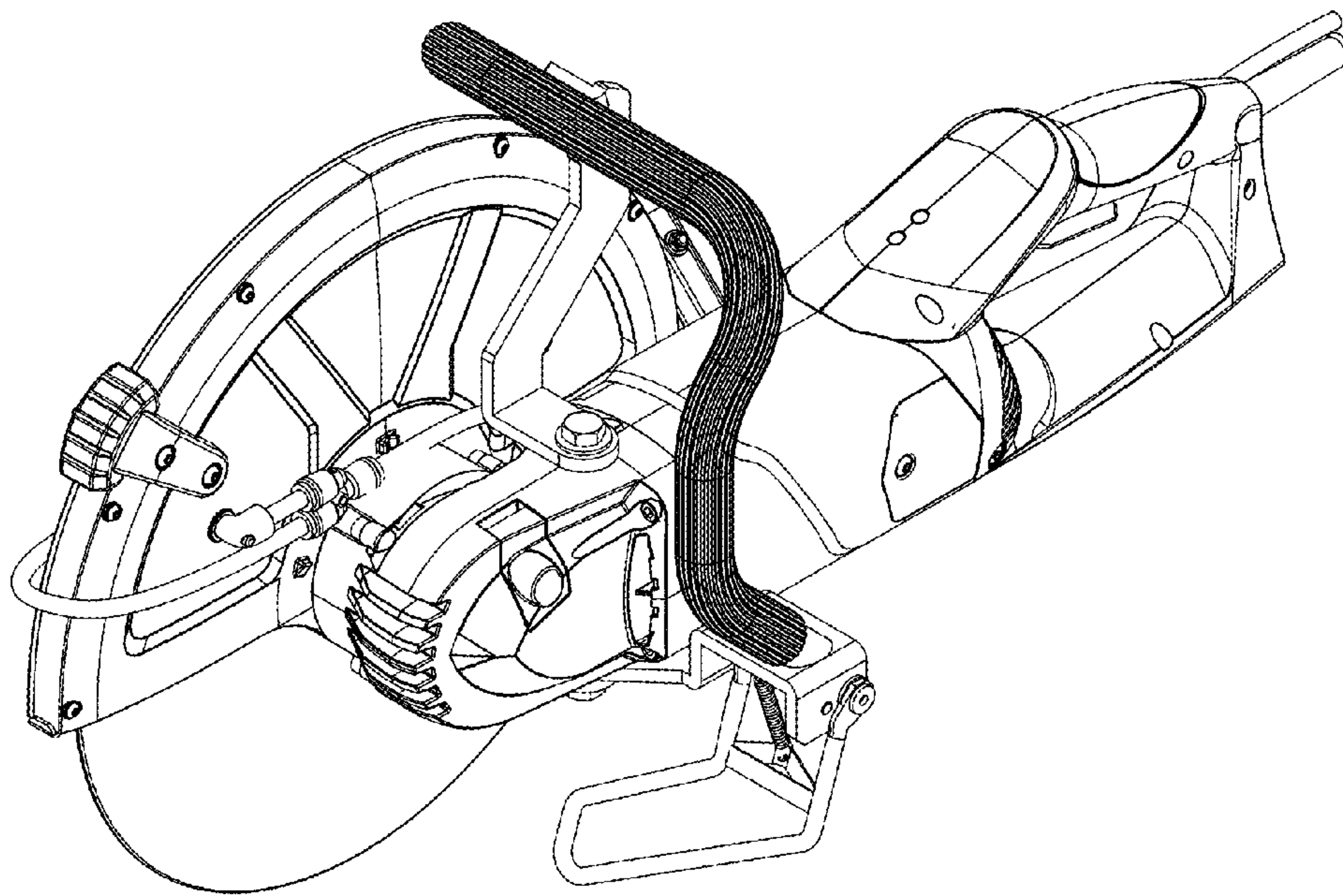


Fig. 1

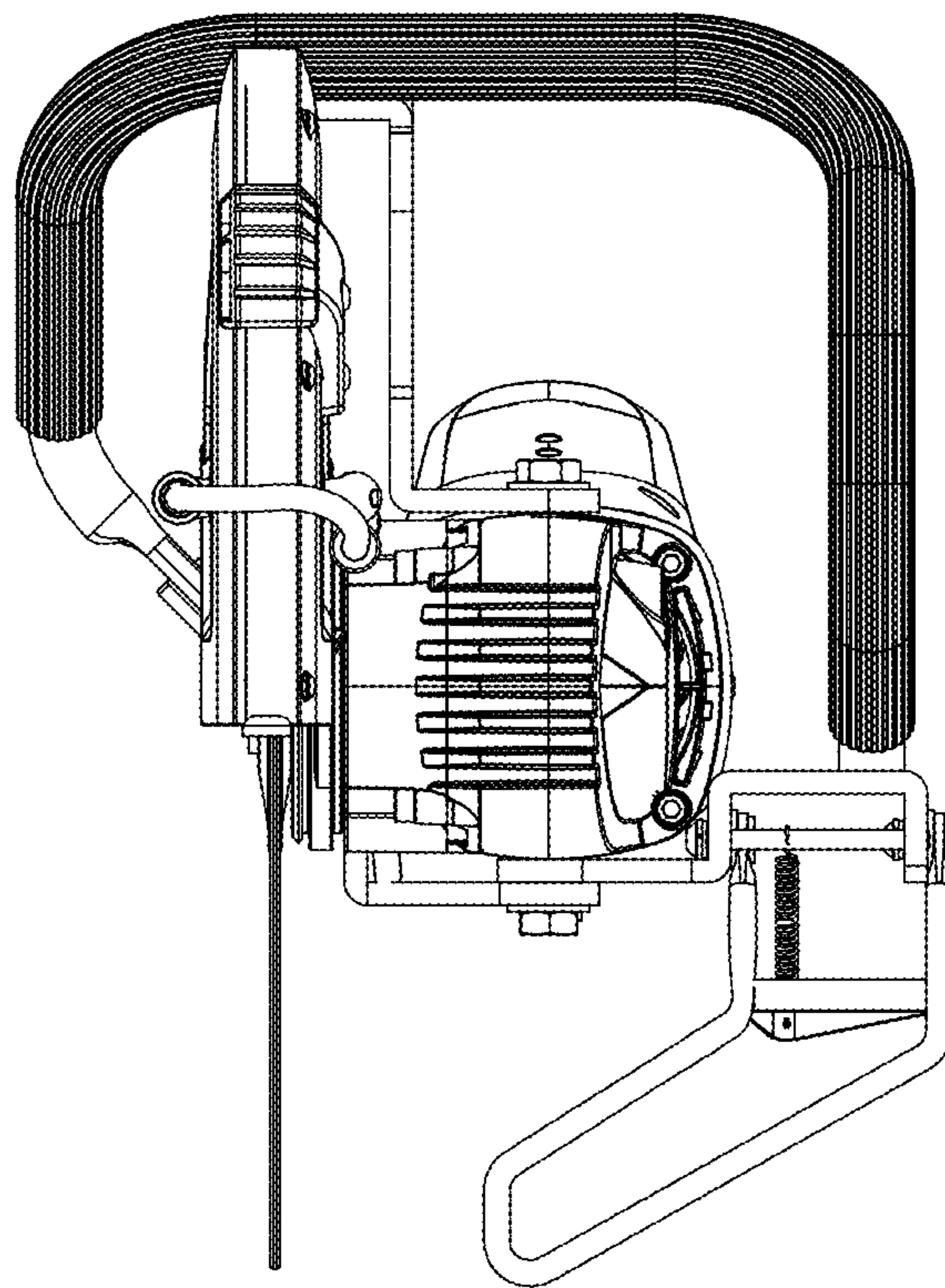


Fig. 2

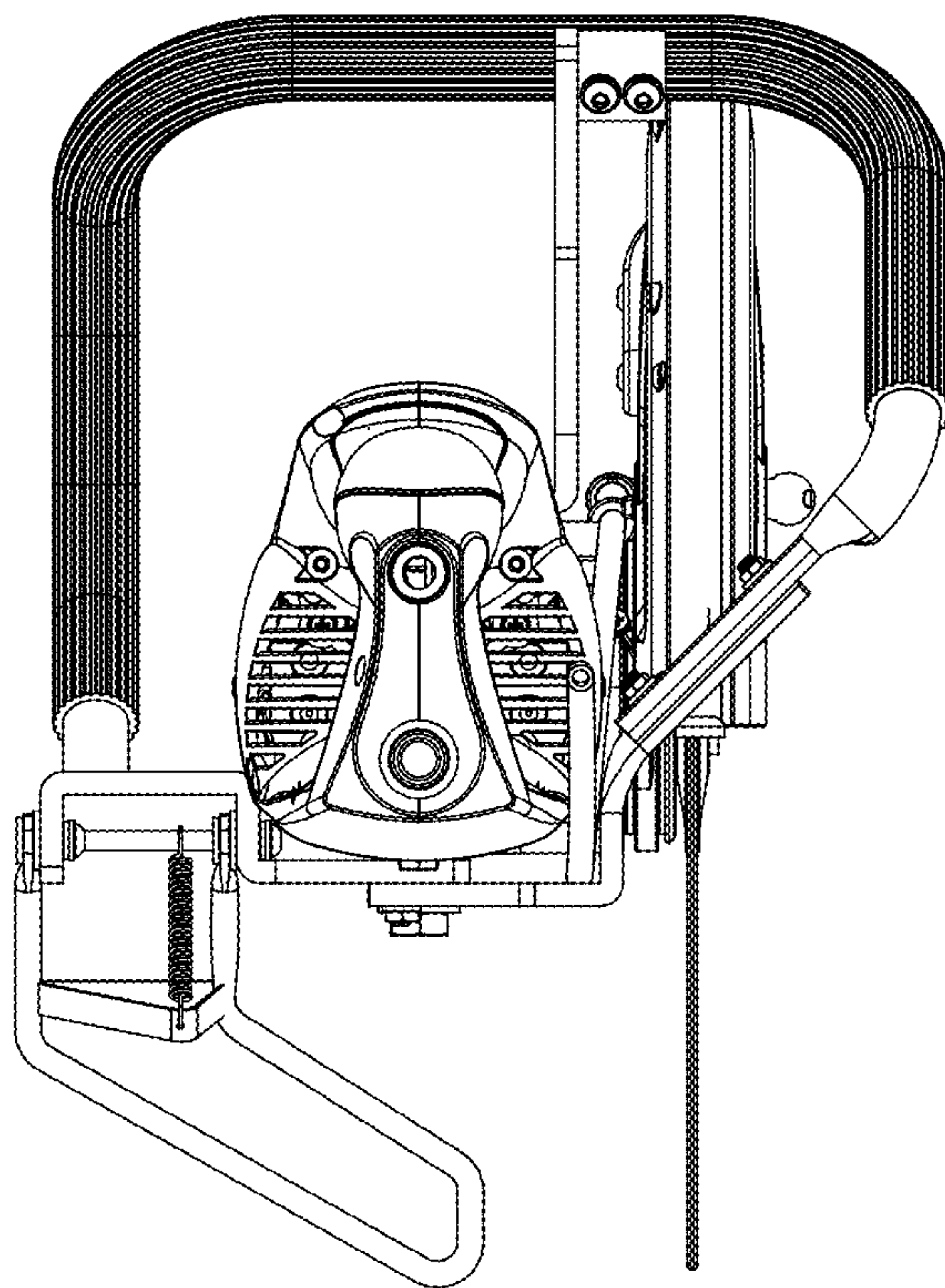


Fig. 3

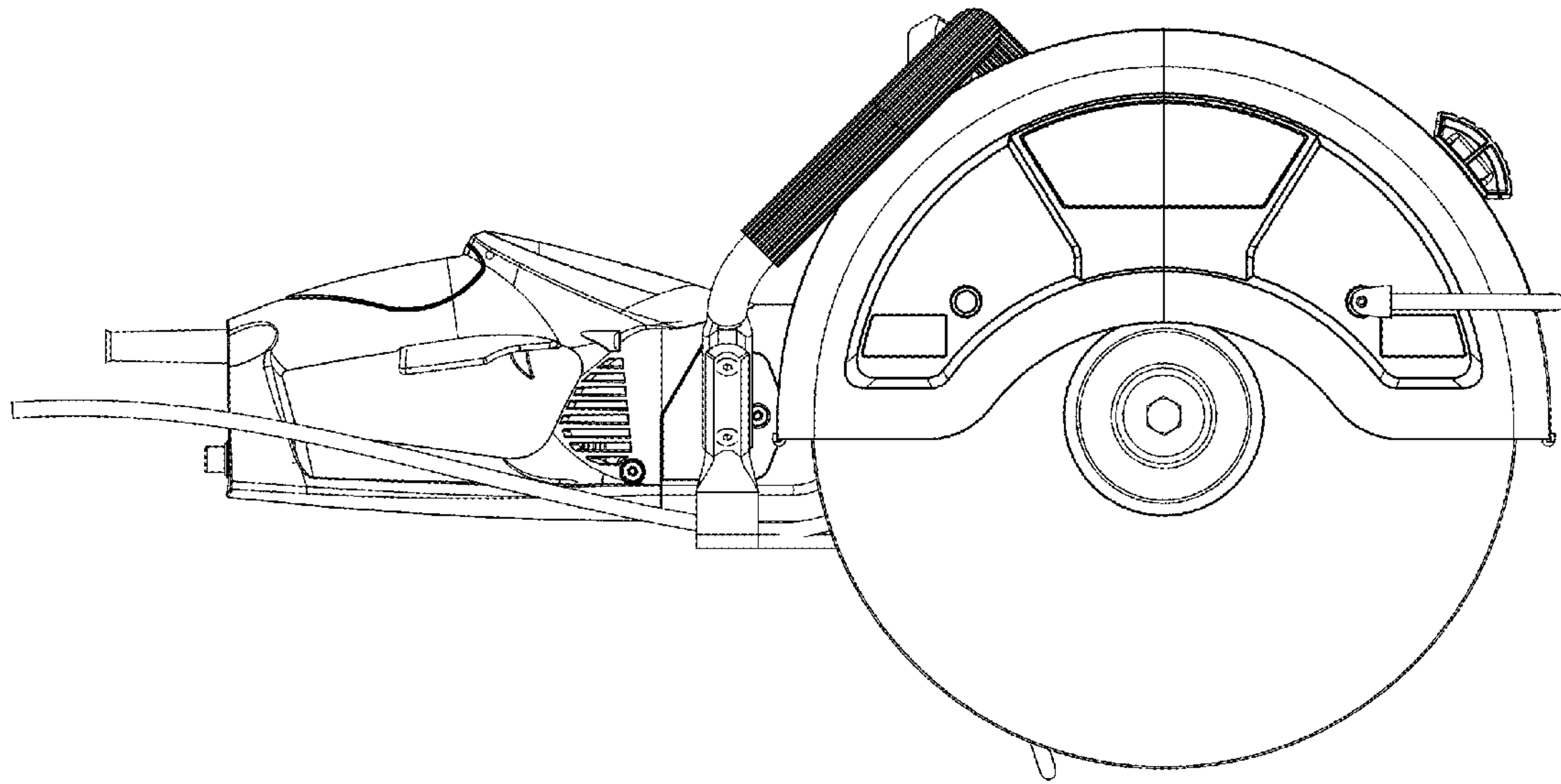


Fig. 4

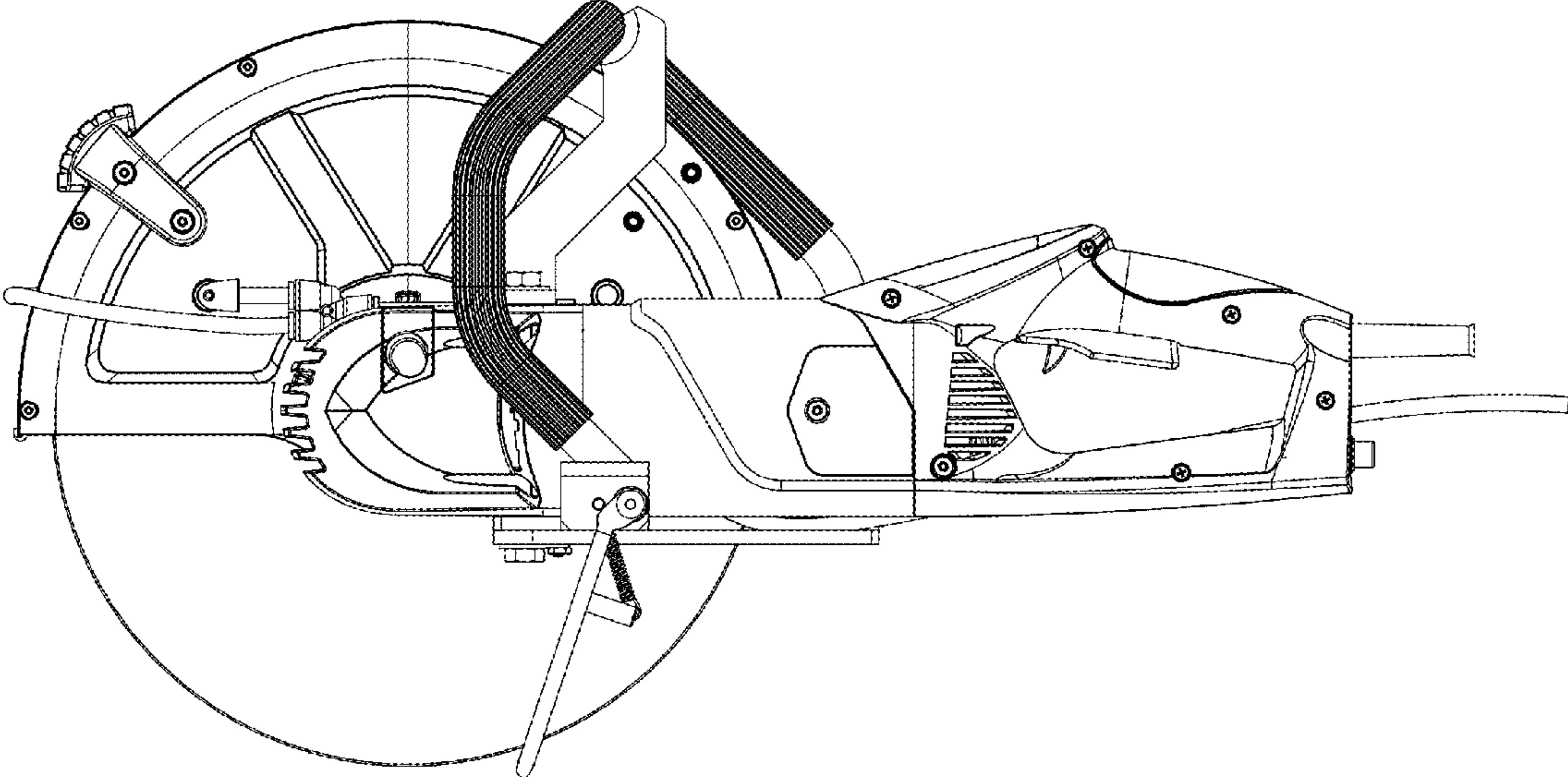


Fig. 5

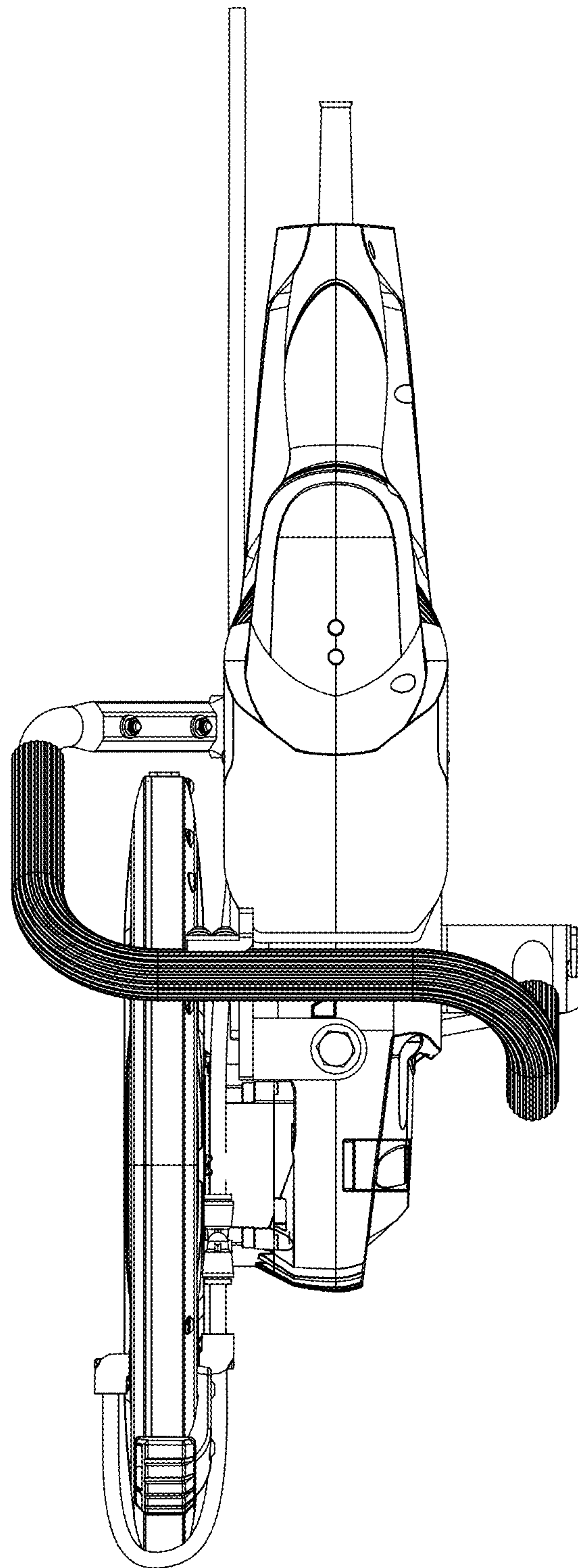


Fig. 6

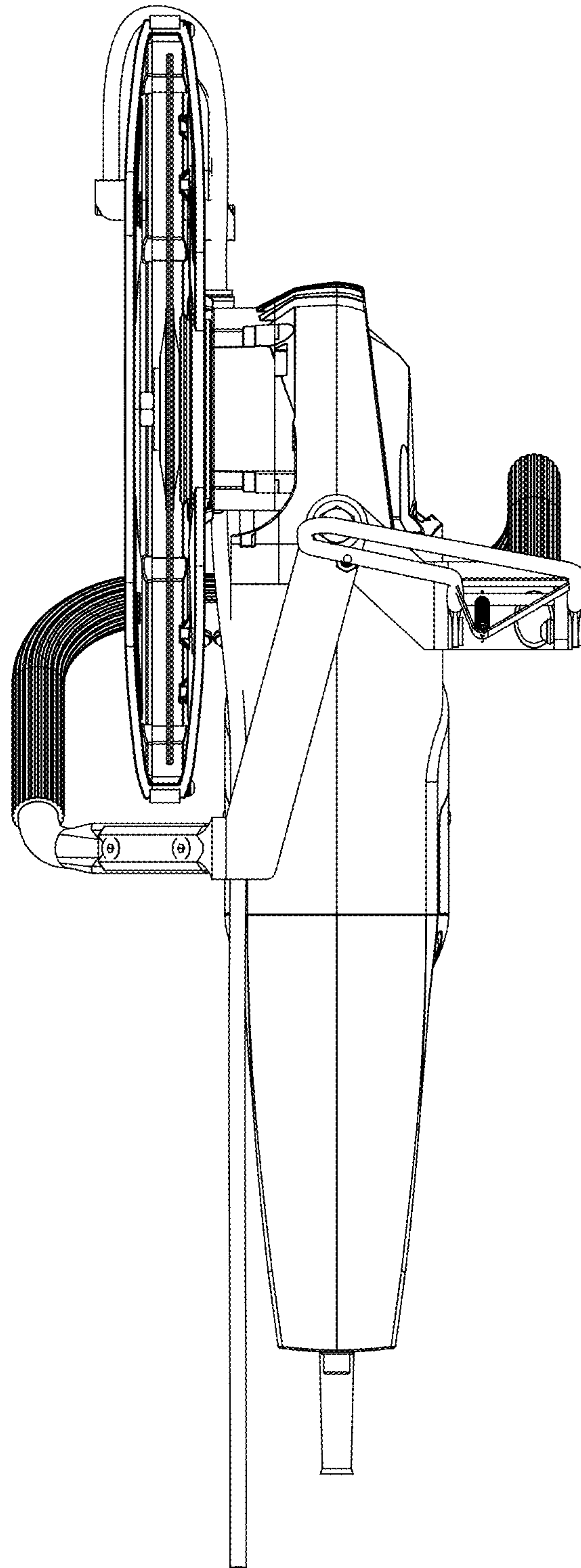


Fig. 7