



US00D754501S

(12) **United States Design Patent**  
**Theissen**

(10) **Patent No.:** **US D754,501 S**

(45) **Date of Patent:** **\*\* Apr. 26, 2016**

(54) **TORQUE WRENCH**

(56) **References Cited**

(71) Applicant: **EDUARD WILLE GmbH & Co. KG,**  
Wuppertal (DE)

(72) Inventor: **Marco Theissen,** Oldenthal (DE)

(73) Assignee: **EDUARD WILLE GMBH & CO KG,**  
Wuppertal (DE)

(\*\*) Term: **14 Years**

(21) Appl. No.: **29/510,302**

(22) Filed: **Nov. 26, 2014**

U.S. PATENT DOCUMENTS

6,796,190	B2 *	9/2004	Curry	73/862.21
D520,309	S *	5/2006	Hsien	D8/25
D525,853	S *	8/2006	Hsieh	D8/107
D530,166	S *	10/2006	Becker et al.	D8/24
D562,093	S *	2/2008	Wu	D8/24
D575,603	S *	8/2008	Shiao	D8/24
D580,720	S *	11/2008	Shiao	D8/24
D586,193	S *	2/2009	Escoe et al.	D8/24
D605,006	S *	12/2009	Shiao	D8/24
D605,482	S *	12/2009	Jenkins	D8/24
7,685,899	B2 *	3/2010	Mowbray et al.	74/329

FOREIGN PATENT DOCUMENTS

TW	D107347	11/2005
TW	D123798	7/2008
TW	D132727	1/2010
TW	D141731	8/2011

\* cited by examiner

*Primary Examiner* — Randall Gholson

(74) *Attorney, Agent, or Firm* — Lawrence G. Fridman, Esq.

(57) **CLAIM**

The ornamental design for a torque wrench, as shown and described.

**DESCRIPTION**

FIG. 1 is a perspective view of the torque wrench according to my new design; FIG. 2 is a bottom view thereof; and, FIG. 3 is a side view thereof. The broken lines depict portions of the torque wrench that form no part of the claimed design.

**1 Claim, 2 Drawing Sheets**

**Related U.S. Application Data**

(62) Division of application No. 29/425,474, filed on Jun. 22, 2012, now Pat. No. Des. 719,801.

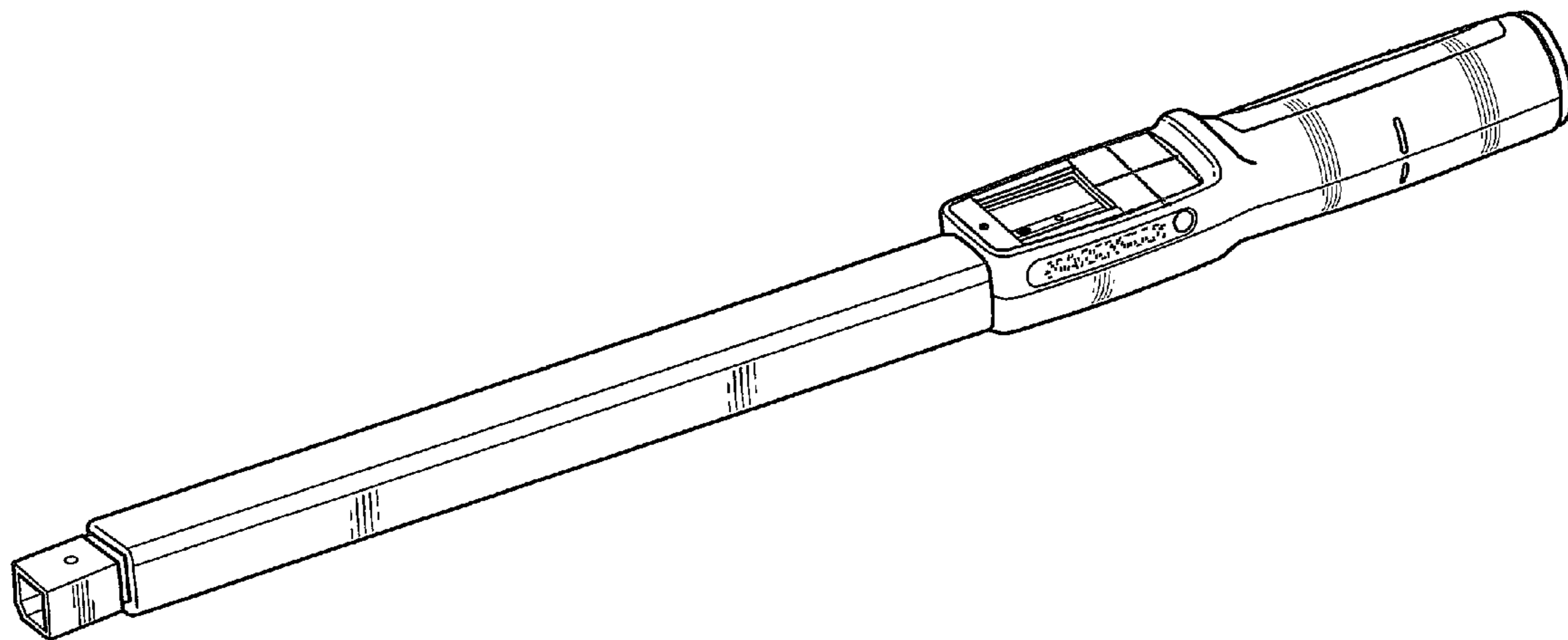
(30) **Foreign Application Priority Data**

Dec. 22, 2011 (EM) ..... 001967233-0001-3

(51) **LOC (10) Cl.** ..... **08-05**

(52) **U.S. Cl.**  
USPC ..... **D8/24**

(58) **Field of Classification Search**  
USPC ..... D8/21-29, 107, 61; 73/862.22, 862.23,  
73/862.331-962.335; 81/467, 469, 479,  
81/480-483, 57, 39; 464/25, 35  
CPC ..... B25B 31/00; B25B 13/00; B25B 23/00  
See application file for complete search history.



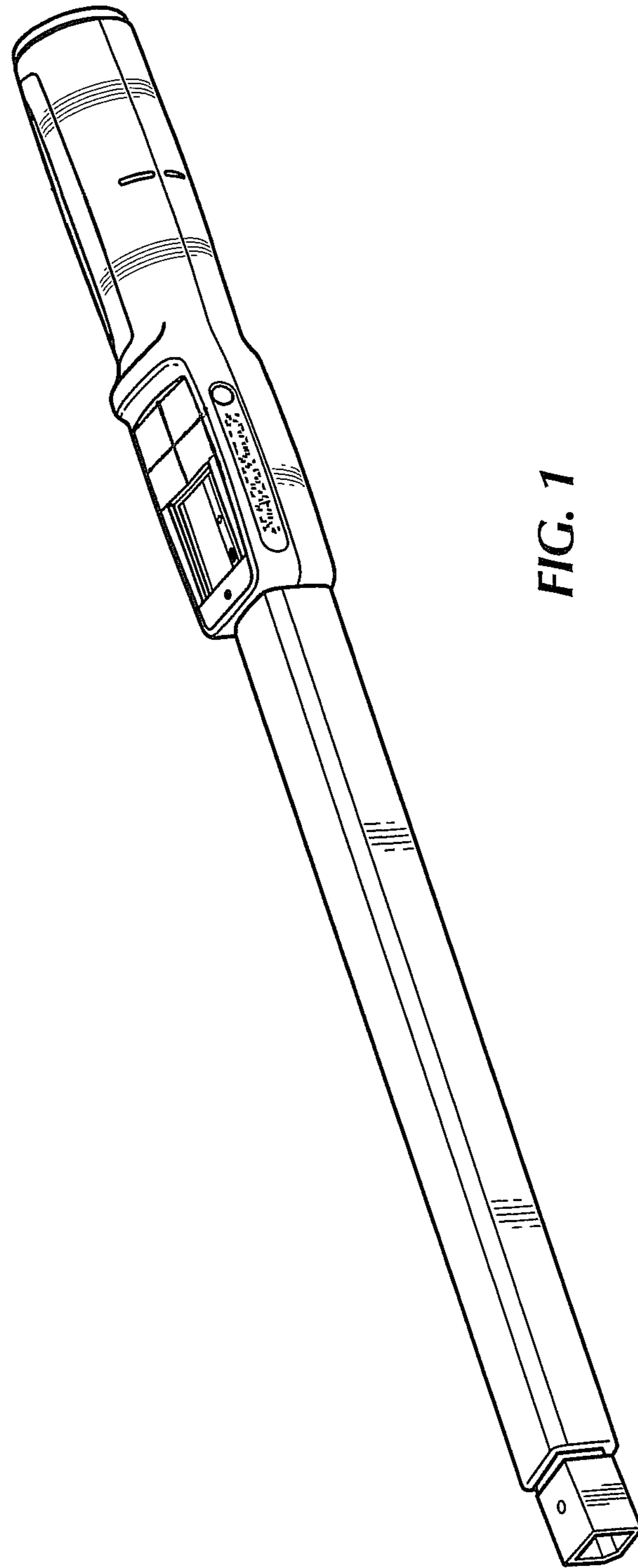


FIG. 1

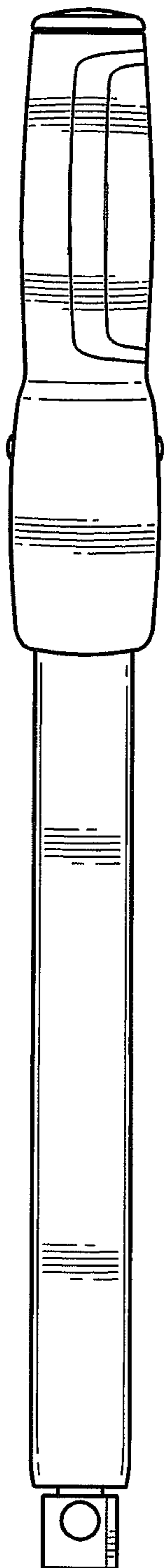


FIG. 2

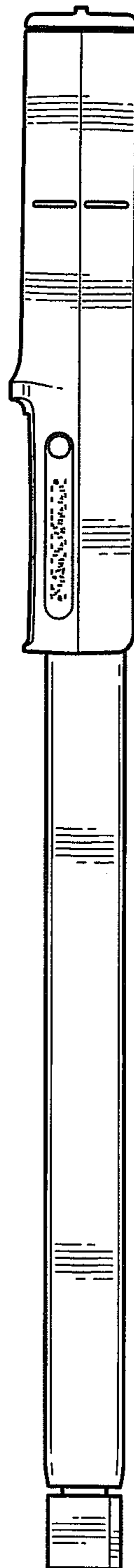


FIG. 3