



US00D754500S

(12) **United States Design Patent**  
**Malcolm**

(10) **Patent No.:** **US D754,500 S**

(45) **Date of Patent:** **\*\* Apr. 26, 2016**

(54) **JAW AND BLADE FOR A FIBER-RESIN  
COMPOSITE BOLT CUTTER**

(56) **References Cited**

U.S. PATENT DOCUMENTS

(71) Applicant: **Roger J. Malcolm**, San Clemente, CA  
(US)

D50,029	S	*	12/1916	Porter	.....	D8/58
1,768,108	A	*	6/1930	Blumenauer et al.	.....	30/193
1,972,515	A	*	9/1934	Eyre	.....	30/193
D416,458	S	*	11/1999	Kun-Meng	.....	D8/52
6,971,179	B2	*	12/2005	Erbrick	.....	30/191
D633,764	S	*	3/2011	Malcolm	.....	D8/52
D648,995	S	*	11/2011	Chang	.....	D8/52
D668,126	S	*	10/2012	Malcolm	.....	D8/52
D684,831	S	*	6/2013	Malcolm	.....	D8/20
8,613,145	B2	*	12/2013	Poole et al.	.....	30/192
2005/0076513	A1	*	4/2005	Brailovskiy	.....	30/250
2013/0213202	A1	*	8/2013	Crainich	.....	83/51

(72) Inventor: **Roger J. Malcolm**, San Clemente, CA  
(US)

(\*\*) Term: **14 Years**

(21) Appl. No.: **29/450,315**

(22) Filed: **Mar. 15, 2013**

\* cited by examiner

**Related U.S. Application Data**

(60) Continuation-in-part of application No. 29/411,262, filed on Jan. 18, 2012, now Pat. No. Des. 684,831, which is a division of application No. 29/386,284, filed on Feb. 27, 2011, now Pat. No. Des. 668,126, which is a division of application No. 29/336,879, filed on May 11, 2009, now Pat. No. Des. 633,764.

*Primary Examiner* — Sheryl Lane

*Assistant Examiner* — Ieisha Price

(74) *Attorney, Agent, or Firm* — Charmasson, Buchaca & Leach, LLP

(51) **LOC (10) Cl.** ..... **08-03**

(52) **U.S. Cl.**  
USPC ..... **D8/20**

(58) **Field of Classification Search**  
USPC ..... D8/4, 5, 7, 1, 14, 20, 51, 52, 54, 56, 60,  
D8/67, 499; 30/1, 92, 92.5, 165, 250,  
30/296.1, 320, 346, 351, 252; 83/746,  
83/782, 651, 697, 701; 81/418, 421, 423,  
81/300, 342; 7/125, 127, 128, 129, 132

See application file for complete search history.

(57) **CLAIM**

The ornamental design for a jaw and blade for a fiber-resin composite bolt cutter, as shown and described.

**DESCRIPTION**

FIG. 1 is a top, back, right side perspective view of a jaw and blade for a fiber-resin composite bolt cutter, showing my new design.

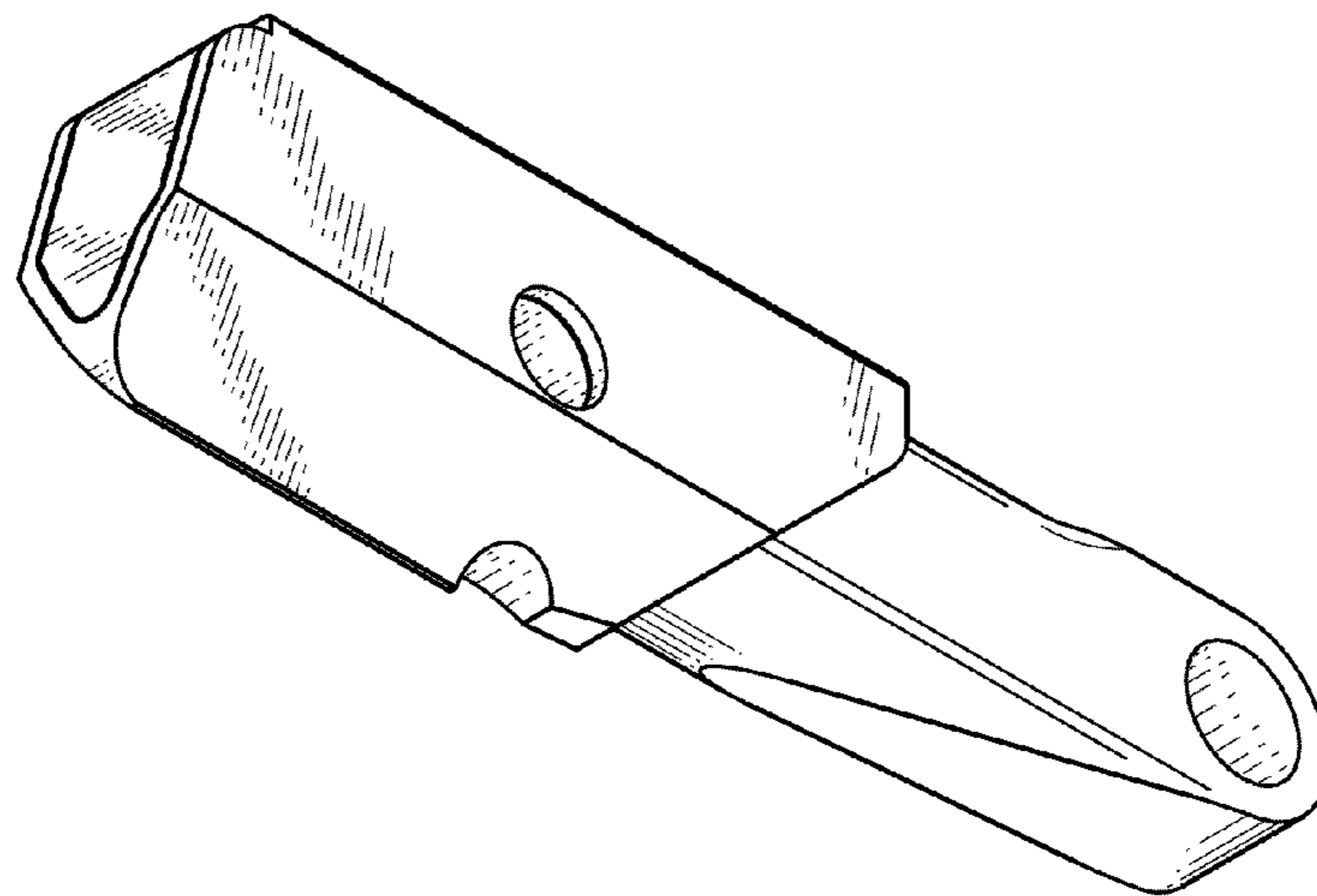
FIG. 2 is a bottom, front, left side perspective view thereof; FIG. 3 is a left side view thereof, with the right side view being a mirror image of;

FIG. 4 is a top plan view thereof;

FIG. 5 is a front view thereof; and,

FIG. 6 is a back view thereof.

**1 Claim, 2 Drawing Sheets**



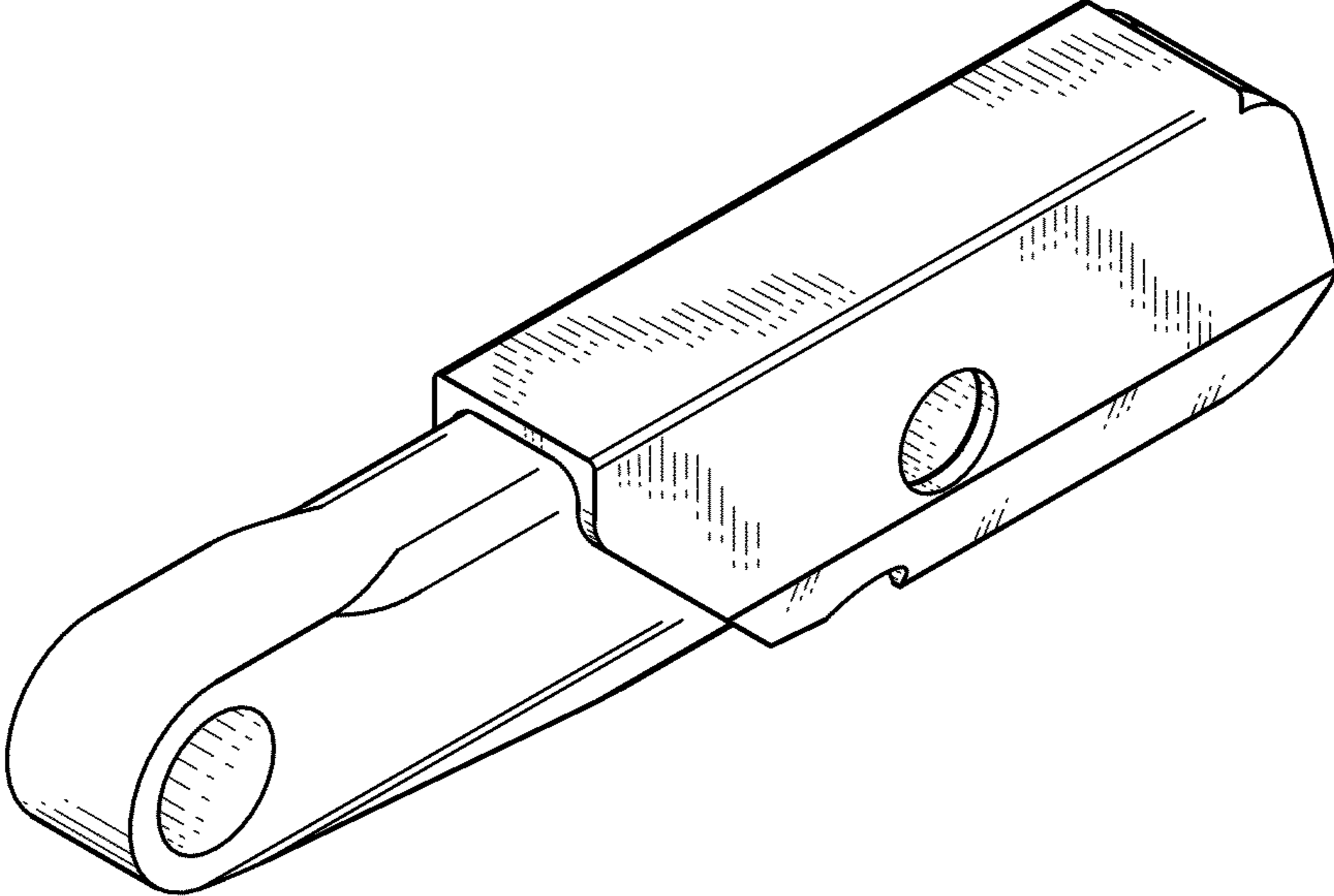


FIG. 1

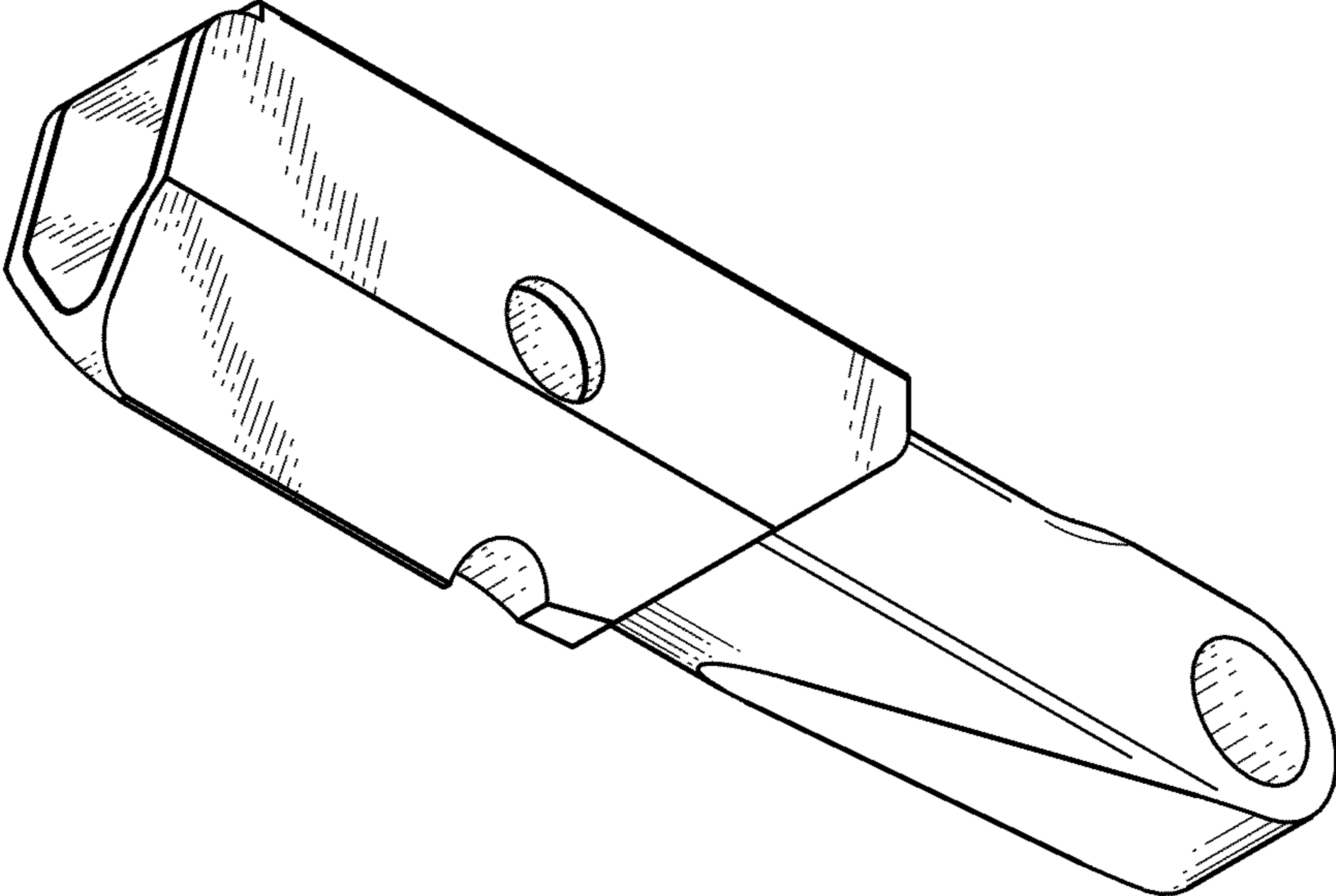


FIG. 2

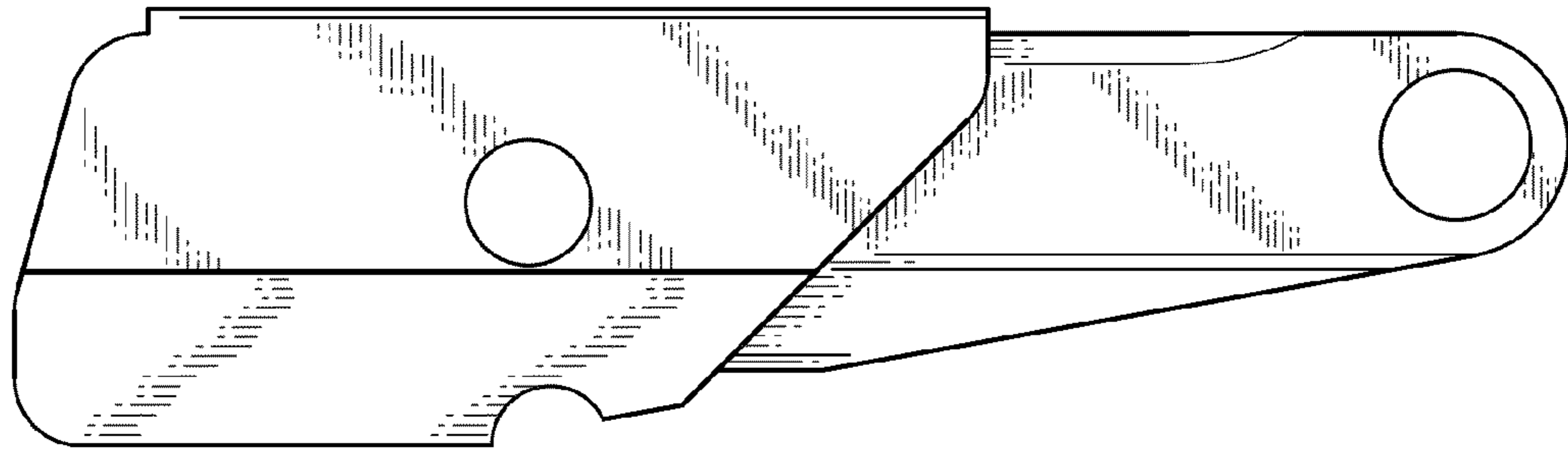


FIG. 3

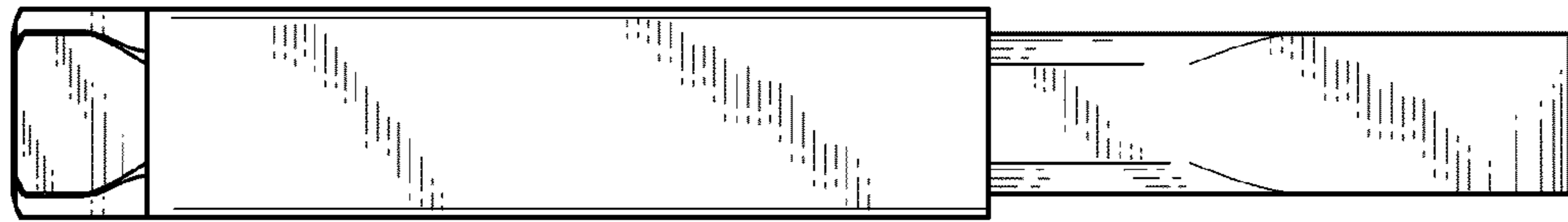


FIG. 4

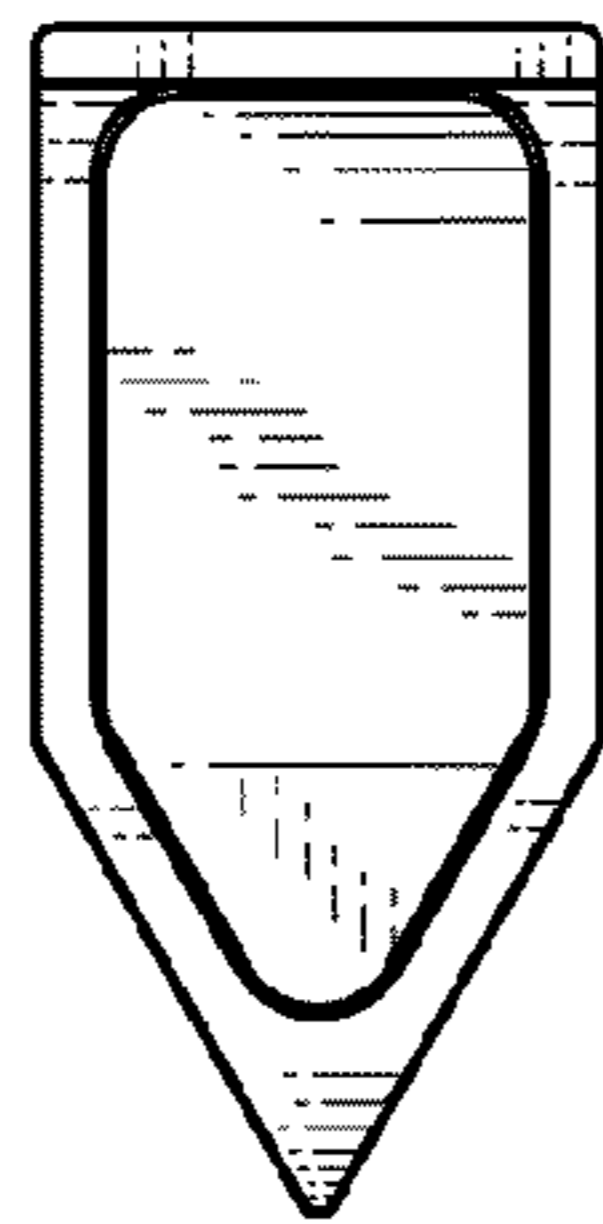


FIG. 5

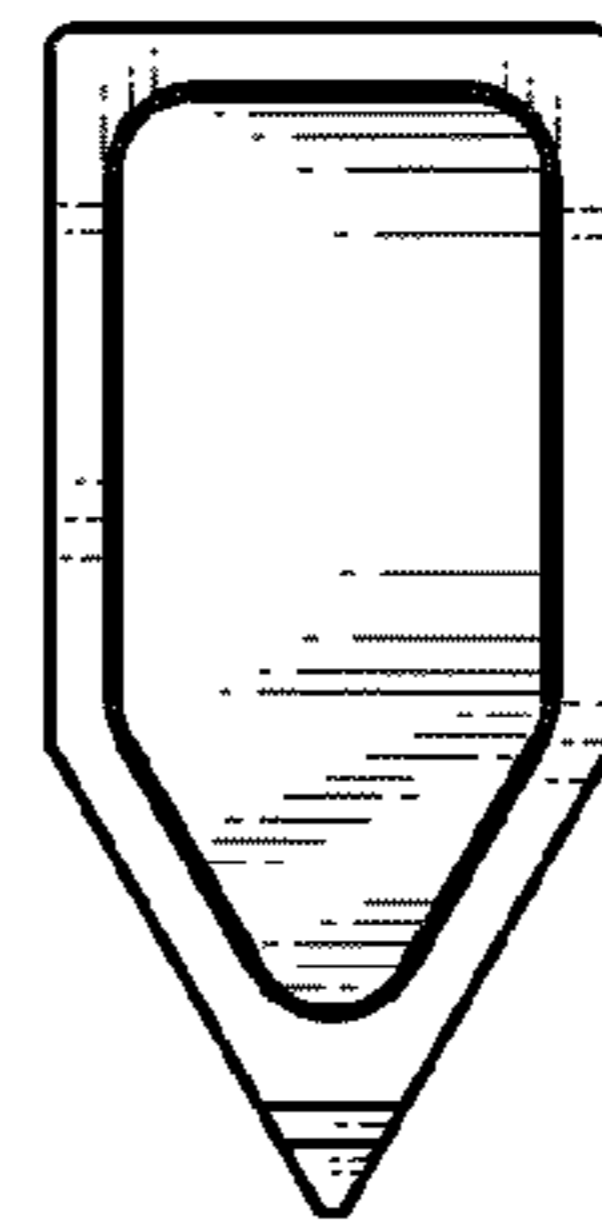


FIG. 6