



US00D754499S

(12) **United States Design Patent**  
**Blood et al.**

(10) **Patent No.:** **US D754,499 S**  
(45) **Date of Patent:** **\*\* Apr. 26, 2016**

- (54) **FORKED EXTRACTOR DEVICE**
- (71) Applicants: **Scott Blood**, Salmon, ID (US); **Kevin Drake**, Comstock, NE (US)
- (72) Inventors: **Scott Blood**, Salmon, ID (US); **Kevin Drake**, Comstock, NE (US)
- (\*\*) Term: **14 Years**
- (21) Appl. No.: **29/512,336**
- (22) Filed: **Dec. 18, 2014**
- (51) **LOC (10) Cl.** ..... **08-05**
- (52) **U.S. Cl.**  
USPC ..... **D8/14**
- (58) **Field of Classification Search**  
USPC ..... D8/14, 88, 89  
CPC ..... B66F 15/00; B25B 27/02; B25B 27/00;  
Y10T 29/5393  
See application file for complete search history.

D458,104	S *	6/2002	Halstead	.....	D8/88
6,644,627	B1 *	11/2003	Forrester	.....	B66F 15/00 254/131
D532,273	S *	11/2006	Yoson	.....	D8/88
7,735,806	B2 *	6/2010	Prater	.....	B25B 27/00 254/25
D618,978	S *	7/2010	Nolle	.....	D8/89
8,578,822	B2	11/2013	Whitaker et al.		
2007/0256237	A1	11/2007	Mayer		
2008/0184483	A1	8/2008	Mayer		
2012/0042755	A1	2/2012	Whitaker et al.		

**FOREIGN PATENT DOCUMENTS**

WO	WO2006121794	11/2006
WO	WO2008137882	11/2008
WO	WO2012026917	3/2012

\* cited by examiner

*Primary Examiner* — Phillip S Hyder  
(74) *Attorney, Agent, or Firm* — Goldstein Law Offices, P.C.

(57) **CLAIM**

The ornamental design for a forked extractor device, as shown and described.

**DESCRIPTION**

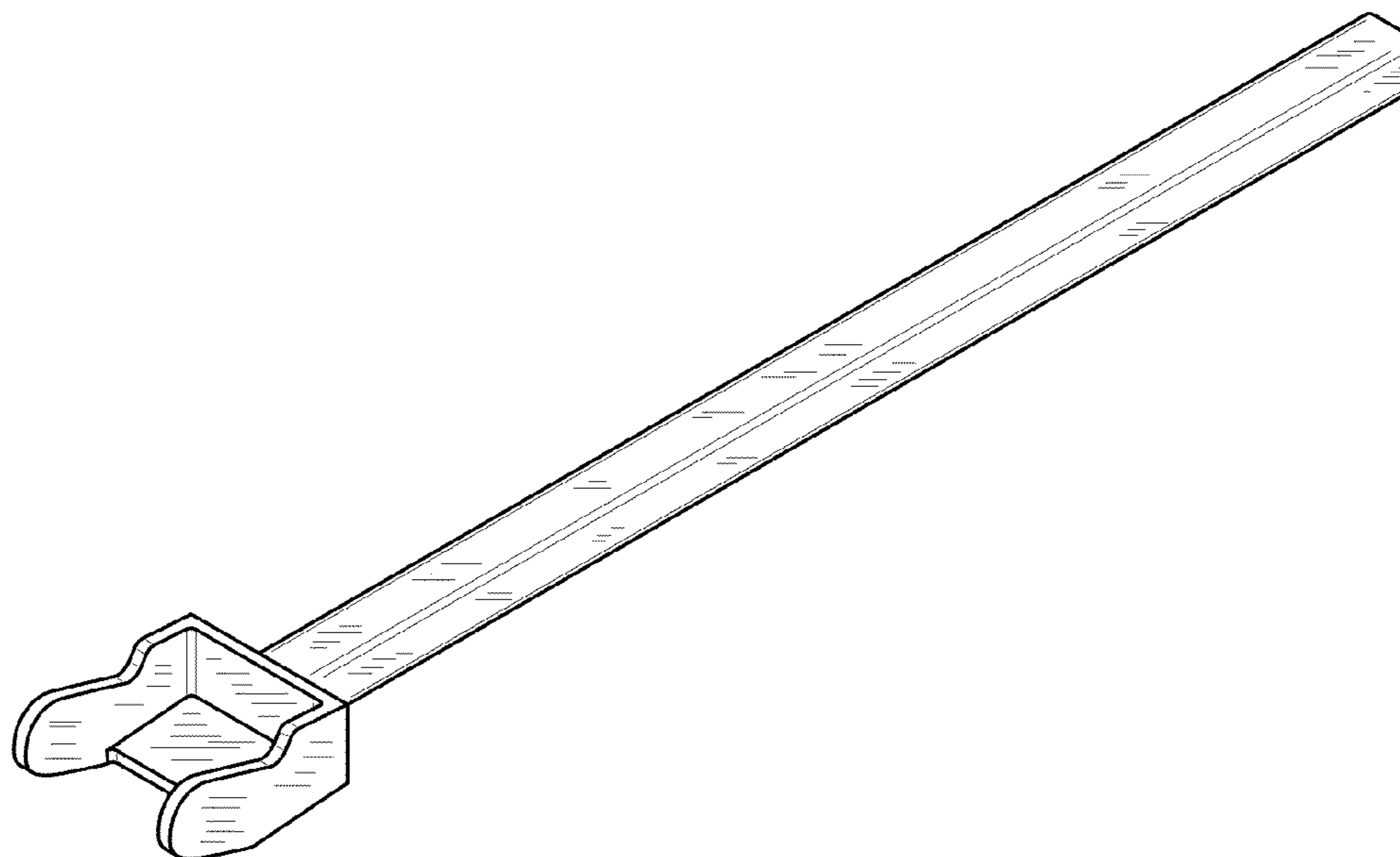
FIG. 1 is a perspective view of the forked extractor device in full lines.  
FIG. 2 is a top plan view of the forked extractor device.  
FIG. 3 is a bottom plan view thereof.  
FIG. 4 is an enlarged front elevational view thereof.  
FIG. 5 is an enlarged rear elevational view thereof.  
FIG. 6 is a right side elevational view thereof; and,  
FIG. 7 is a left side elevational view thereof.

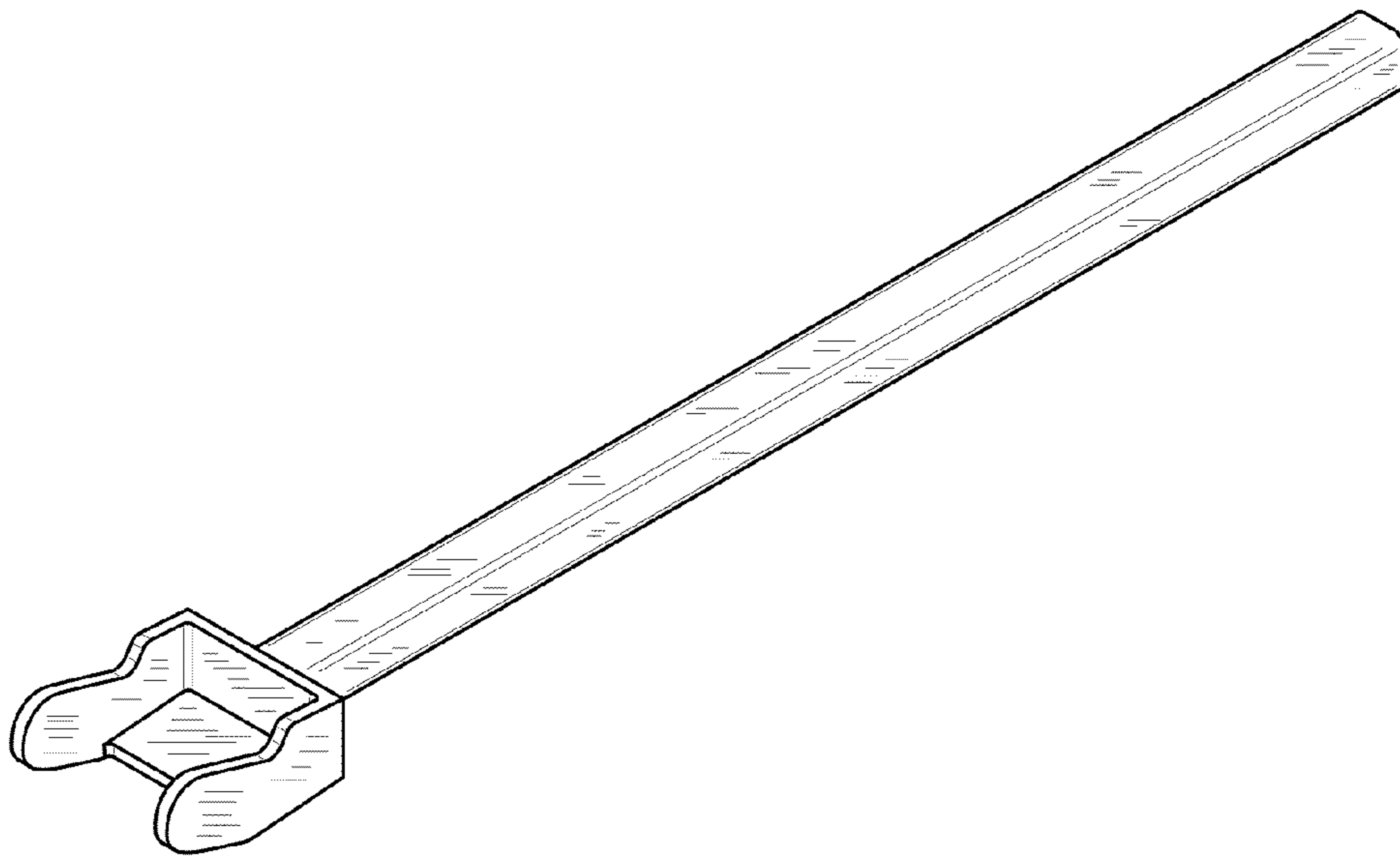
**1 Claim, 4 Drawing Sheets**

(56) **References Cited**

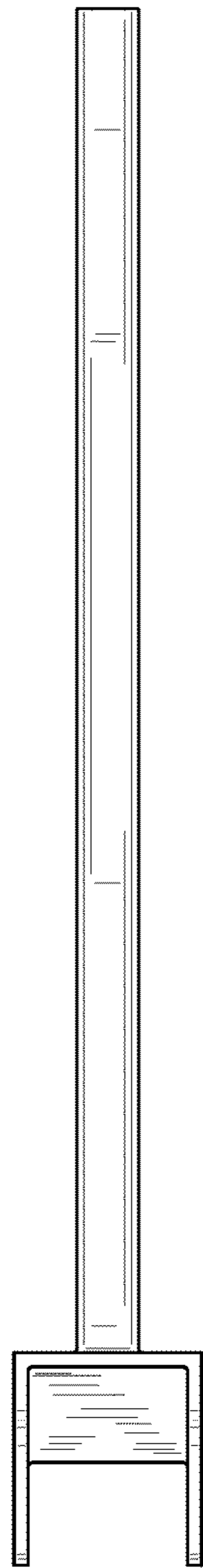
**U.S. PATENT DOCUMENTS**

3,049,337	A *	8/1962	Griggs	.....	E04G 23/08 254/131
3,261,242	A	7/1966	Peters		
3,289,289	A	12/1966	Van Nooten		
D214,988	S *	8/1969	Isley	.....	D8/89
D226,161	S *	1/1973	Paulson	.....	D8/14
4,059,033	A	11/1977	Johnson		
D270,895	S *	10/1983	Holloway	.....	D8/89
5,003,848	A	4/1991	Ceccucci, Jr.		
D318,996	S *	8/1991	Israelson	.....	D8/14
5,165,659	A *	11/1992	L'Heureux	.....	A62B 3/005 254/131
D436,823	S *	1/2001	Wrensch	.....	D8/14

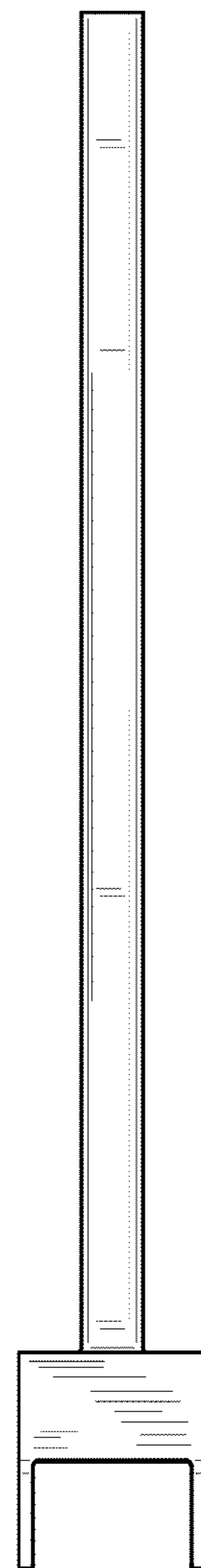




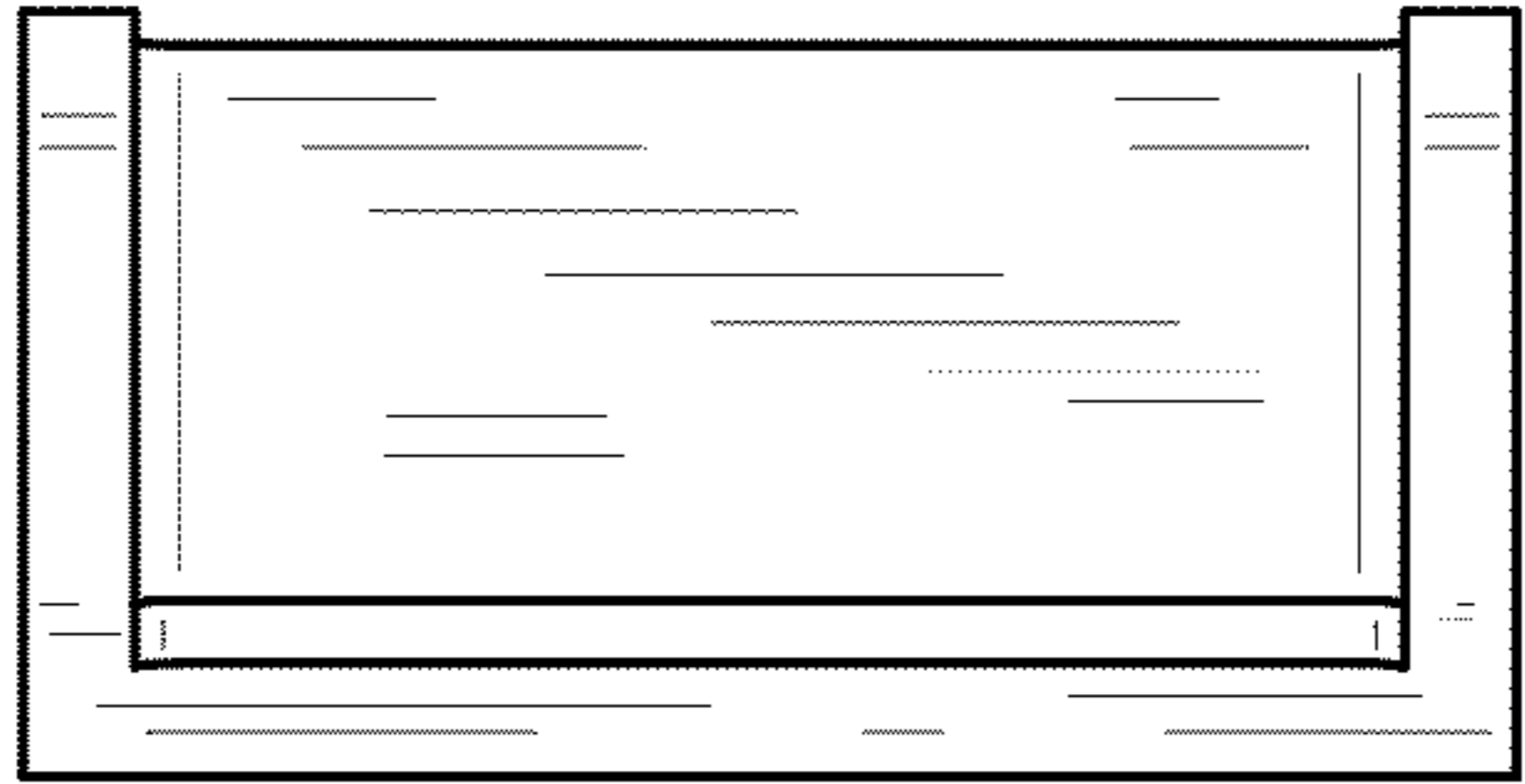
*FIG. 1*



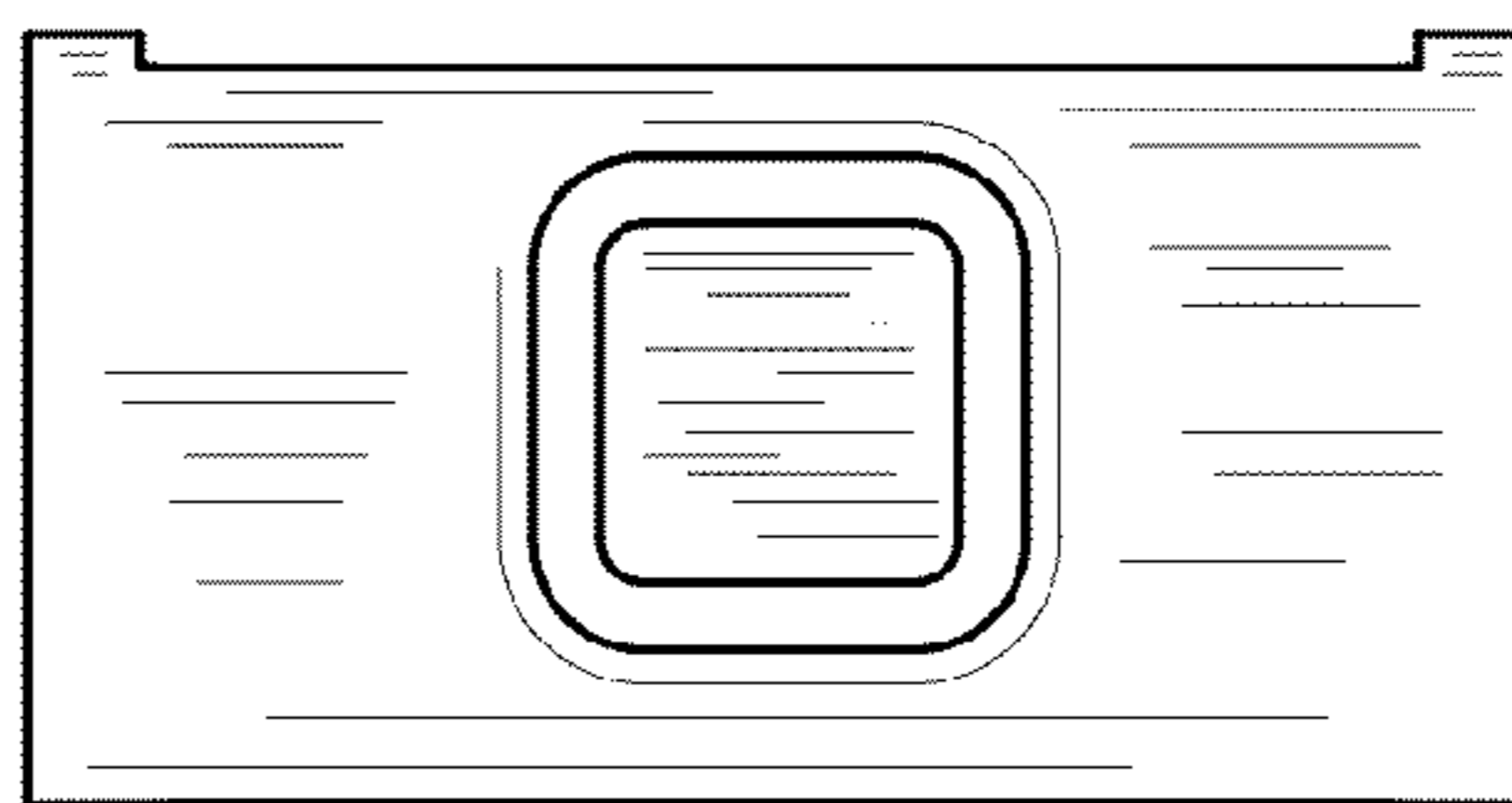
*FIG. 2*



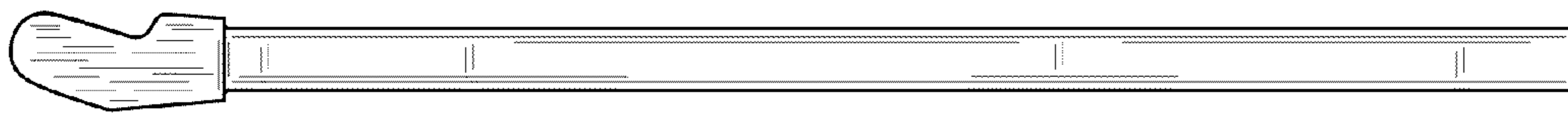
*FIG. 3*



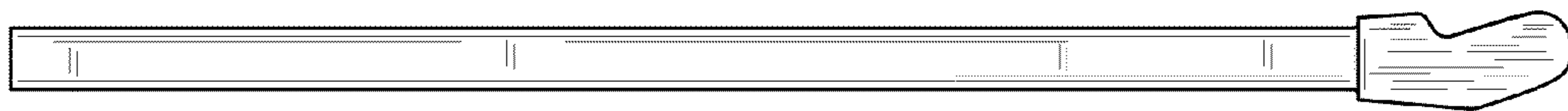
*FIG. 4*



*FIG. 5*



*FIG. 6*



*FIG. 7*