



US00D754497S

(12) **United States Design Patent**
Chitsazan

(10) **Patent No.:** **US D754,497 S**
(45) **Date of Patent:** **** Apr. 26, 2016**

(54) **BEVERAGE CARRIER**

(71) Applicant: **Adam Chitsazan**, Grapevine, TX (US)

(72) Inventor: **Adam Chitsazan**, Grapevine, TX (US)

(**) Term: **14 Years**

(21) Appl. No.: **29/490,384**

(22) Filed: **May 9, 2014**

(51) **LOC (10) Cl.** **07-06**

(52) **U.S. Cl.**
USPC **D7/705**

(58) **Field of Classification Search**
USPC D7/701-708, 709, 600.1-600.4;
D3/304, 306-305
CPC B65D 71/004; B65D 5/5021; B65D 71/12;
B65D 25/2858; B65D 2571/00925; B65D
5/4802; B65D 5/46016; B65D 25/108; B65D
71/44; B65D 7/70; B65D 71/0014; B65D
71/504; A47G 23/0641; A21B 3/132; A45C
11/20; F25D 3/08

See application file for complete search history.

5,609,379 A * 3/1997 Harrelson B65D 71/44
206/192

5,788,301 A * 8/1998 Slomski B65D 71/504
206/150

D405,268 S * 2/1999 Apenes D3/309

5,938,060 A * 8/1999 Rutland, Jr. A47G 23/0641
220/23.6

5,967,323 A * 10/1999 Siragusa B65D 25/108
206/499

5,979,646 A * 11/1999 Strachan B65D 71/70
206/217

6,186,351 B1 * 2/2001 Coyle A47B 75/00
220/23.83

D526,169 S * 8/2006 Zafiroopoulos D7/705

7,178,673 B1 * 2/2007 Miller A45C 11/20
206/545

7,185,758 B2 * 3/2007 Cuomo B65D 71/0014
206/162

7,562,787 B2 * 7/2009 Serrano A47G 23/0208
206/139

D616,202 S * 5/2010 Whitlock D3/306

7,780,034 B1 * 8/2010 Richardson F25D 3/08
206/199

* cited by examiner

Primary Examiner — Terry Wallace

(57) **CLAIM**
The ornamental design for a beverage carrier, as shown and described.

(56) **References Cited**

U.S. PATENT DOCUMENTS

2,896,829 A * 7/1959 Bright A47G 23/0641
211/74

D194,985 S * 4/1963 Rifkind D7/706

3,700,160 A * 10/1972 Farrell B65D 5/46016
16/444

4,694,961 A * 9/1987 Menendez A21B 3/132
206/508

4,947,991 A * 8/1990 Snell A47G 23/0641
206/427

D311,115 S * 10/1990 Abraham D7/708

D330,513 S * 10/1992 Gilchrist D3/284

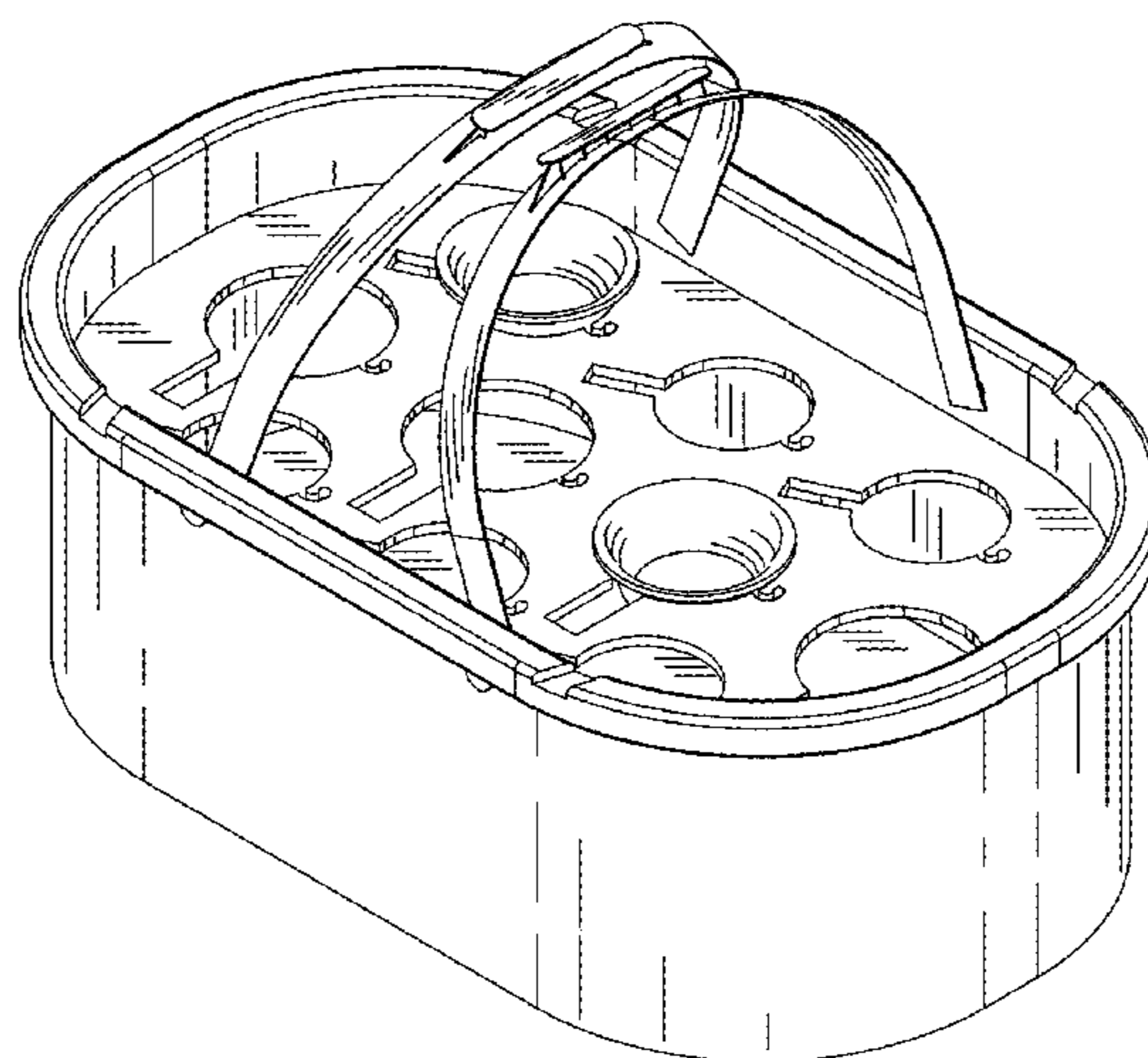
5,437,165 A * 8/1995 White A45C 11/20
62/457.1

5,540,334 A * 7/1996 Haas B65D 25/108
206/446

DESCRIPTION

FIG. 1 is a perspective view of a beverage carrier
FIG. 2 is a front elevational view thereof;
FIG. 3 is a rear elevational view thereof;
FIG. 4 is a left side elevational view thereof;
FIG. 5 is a right side elevational view thereof;
FIG. 6 is a top plan view thereof;
FIG. 7 is a bottom plan view thereof; and,
FIG. 8 is an exploded rear perspective view thereof, displaying the beverage carrier insert panel and a secondary beverage holder.

1 Claim, 8 Drawing Sheets



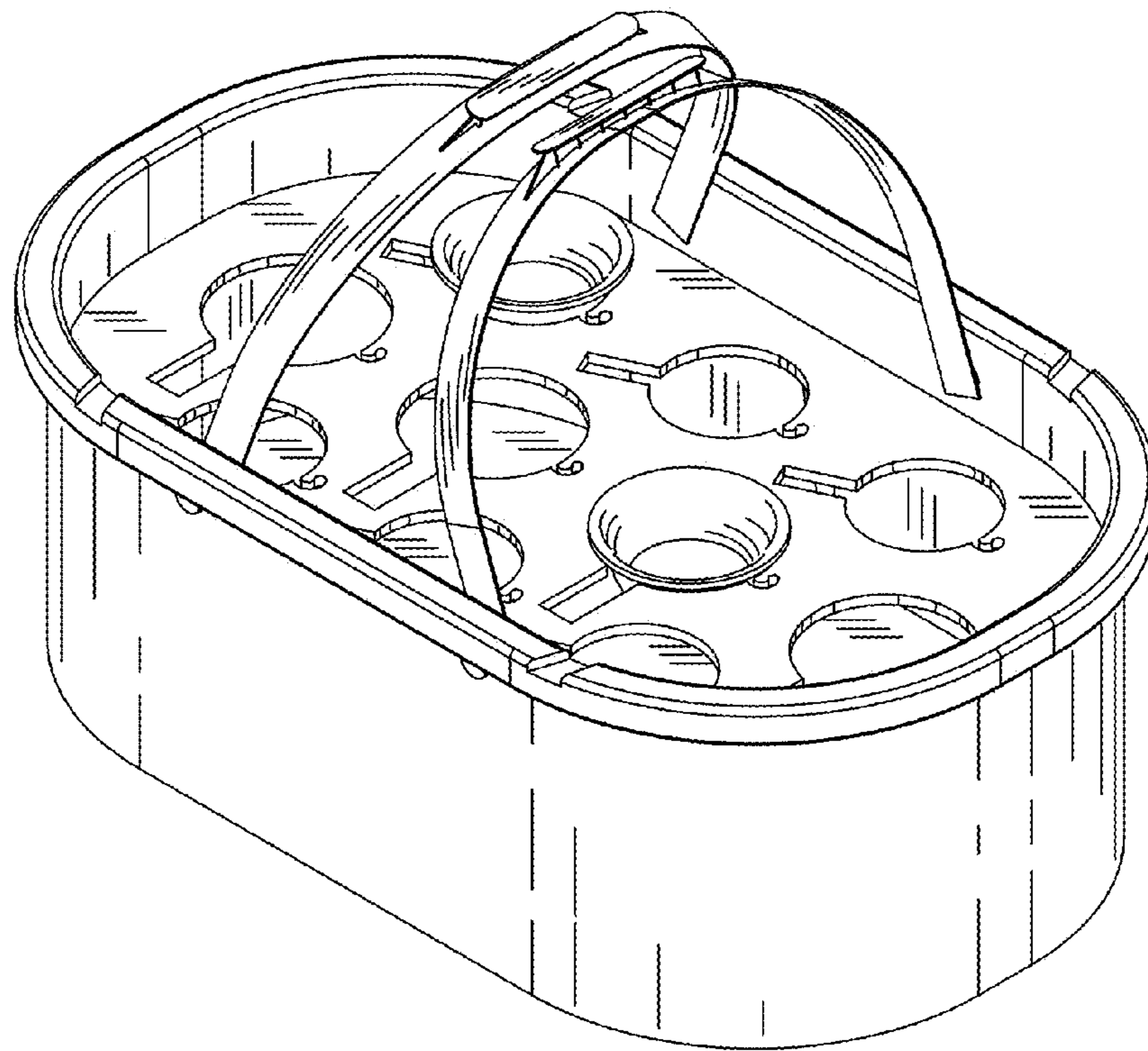


FIG. 1

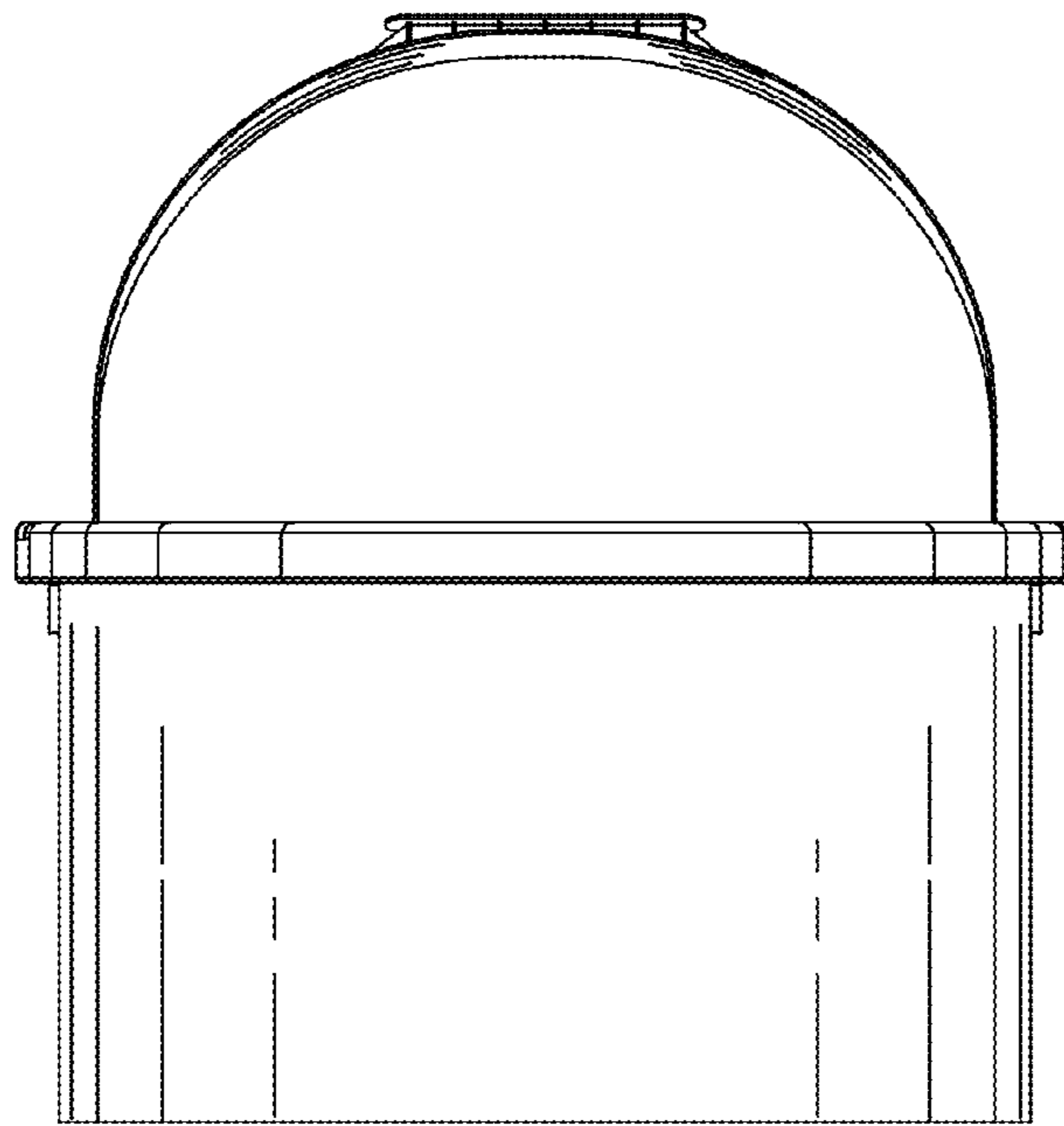


FIG. 2

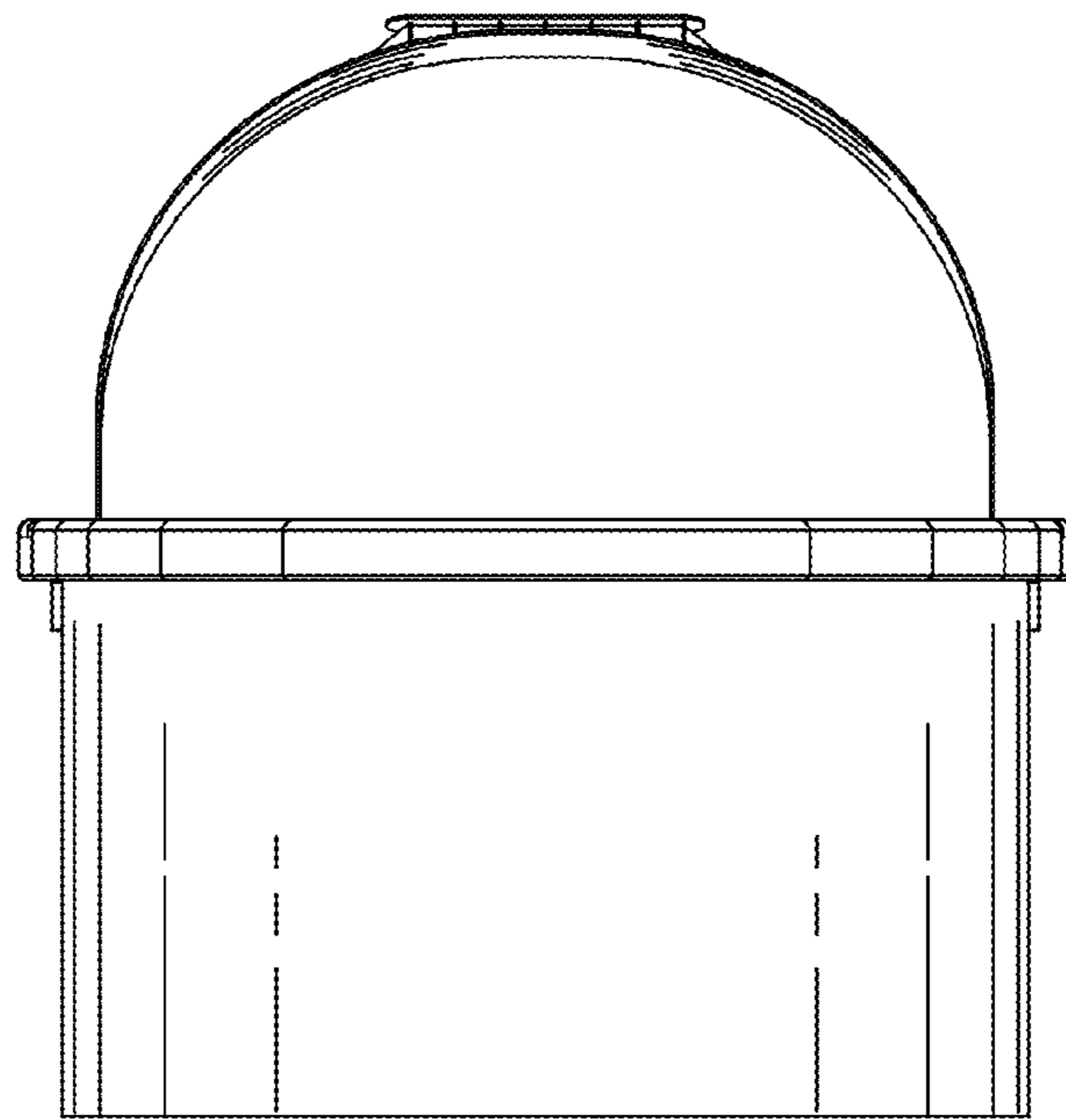


FIG. 3

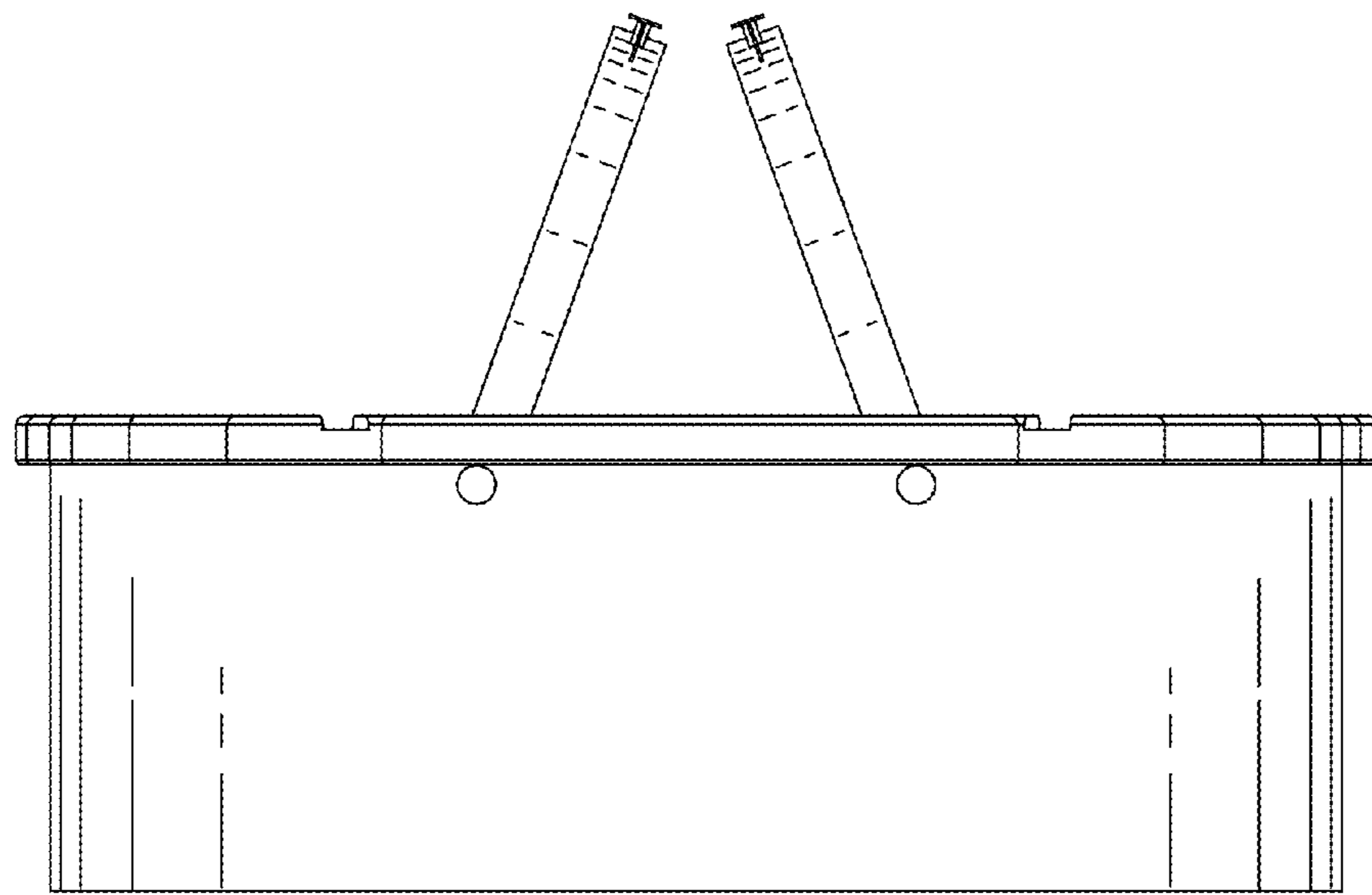


FIG. 4

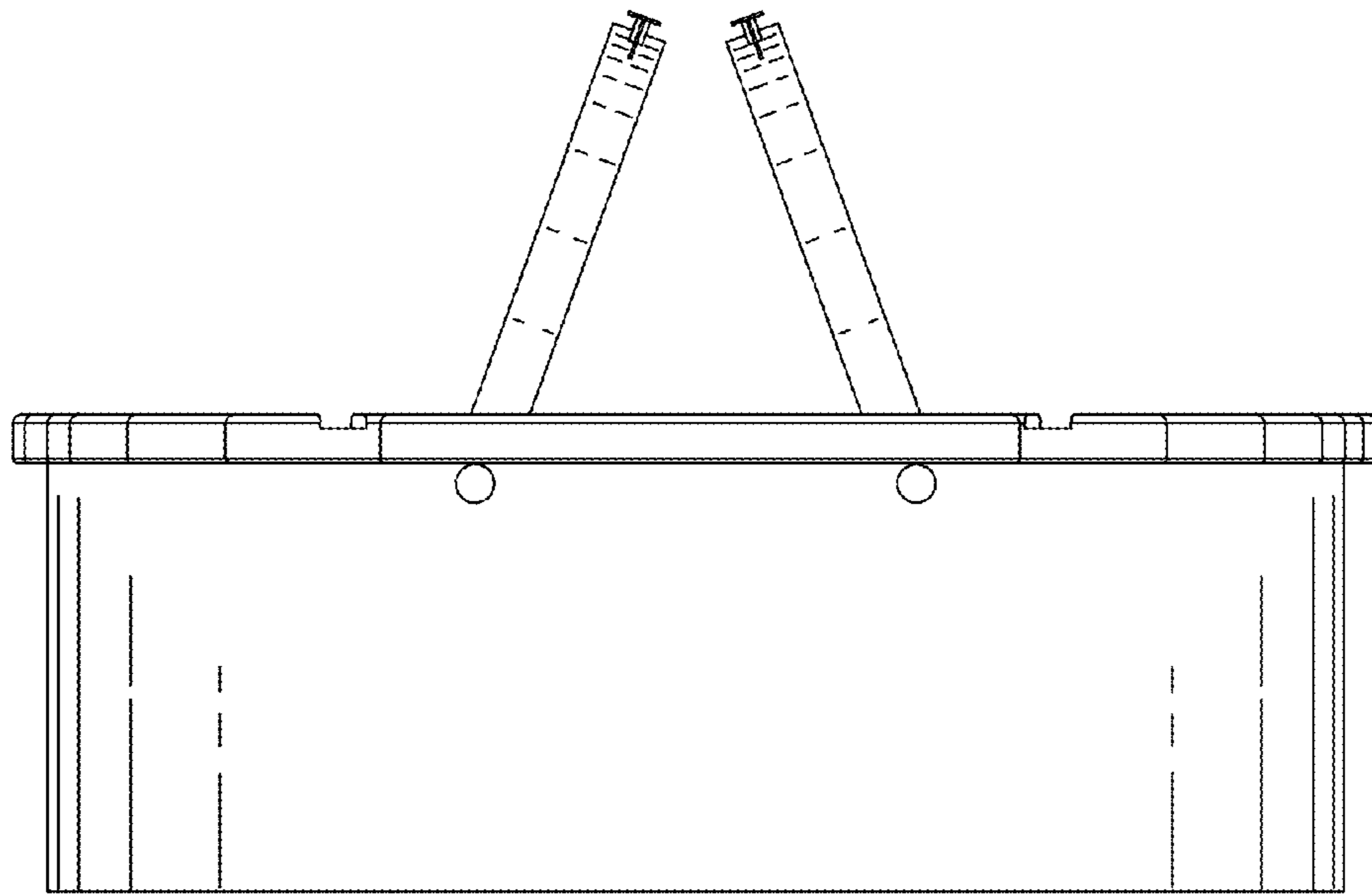


FIG. 5

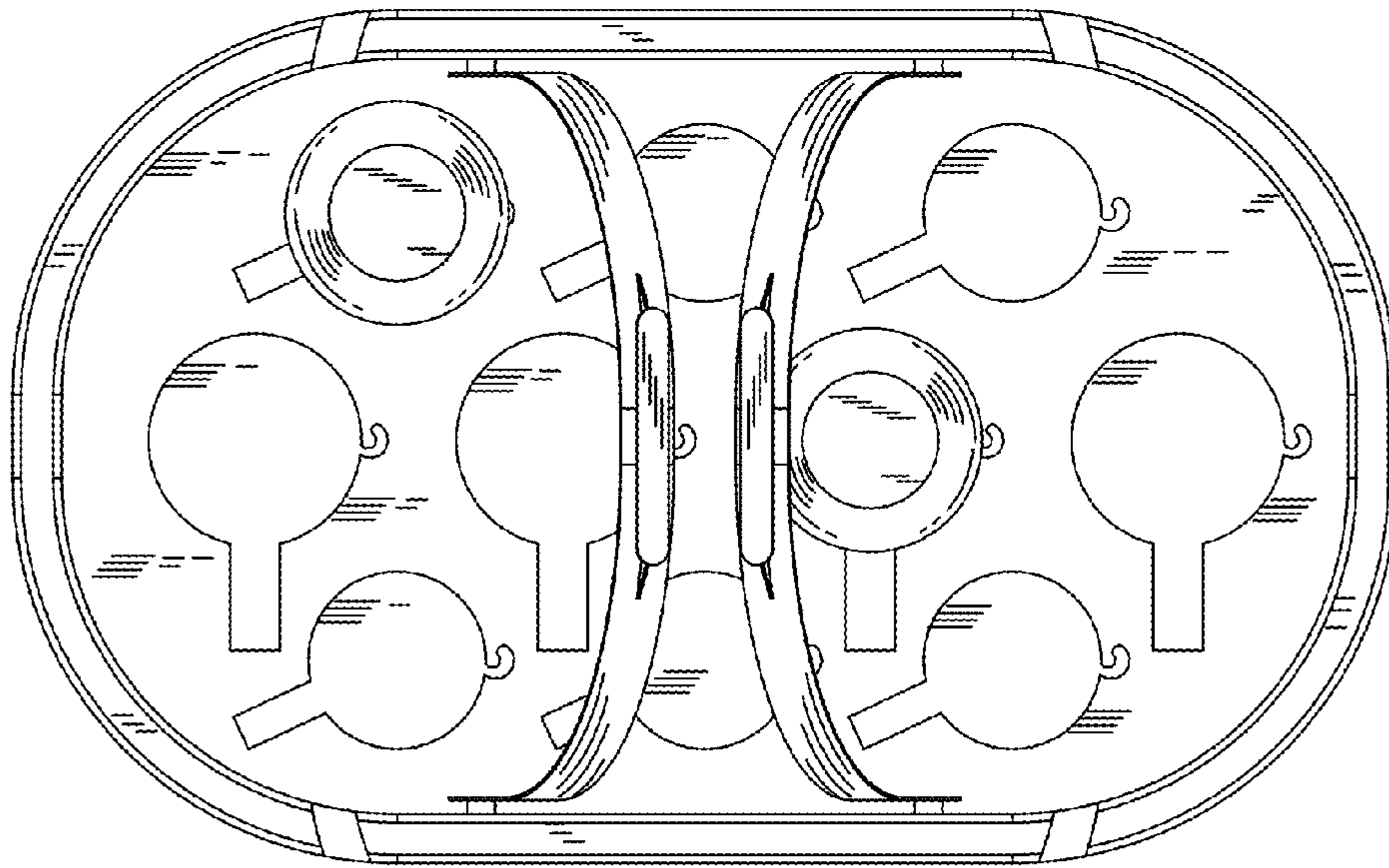


FIG. 6

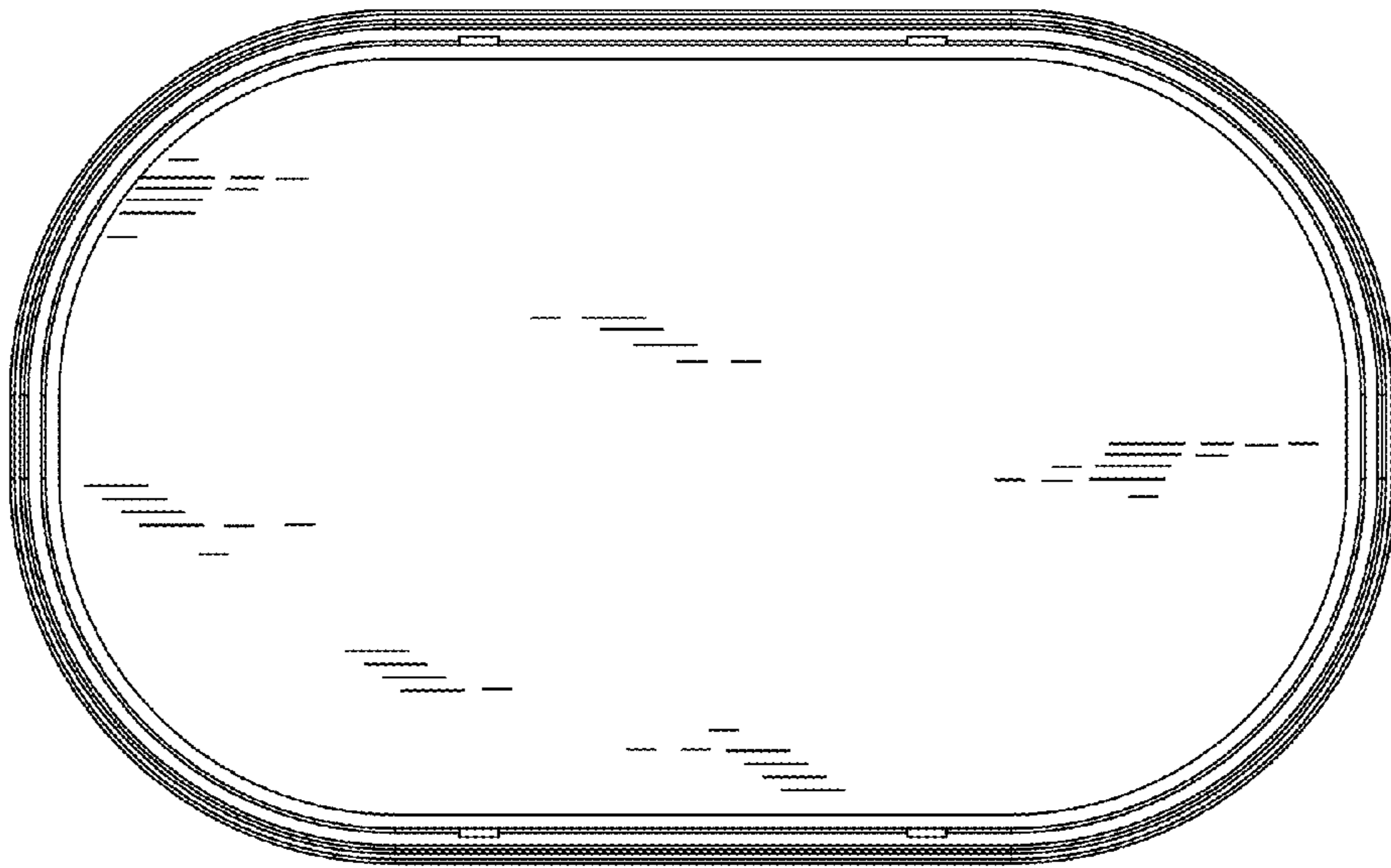


FIG. 7

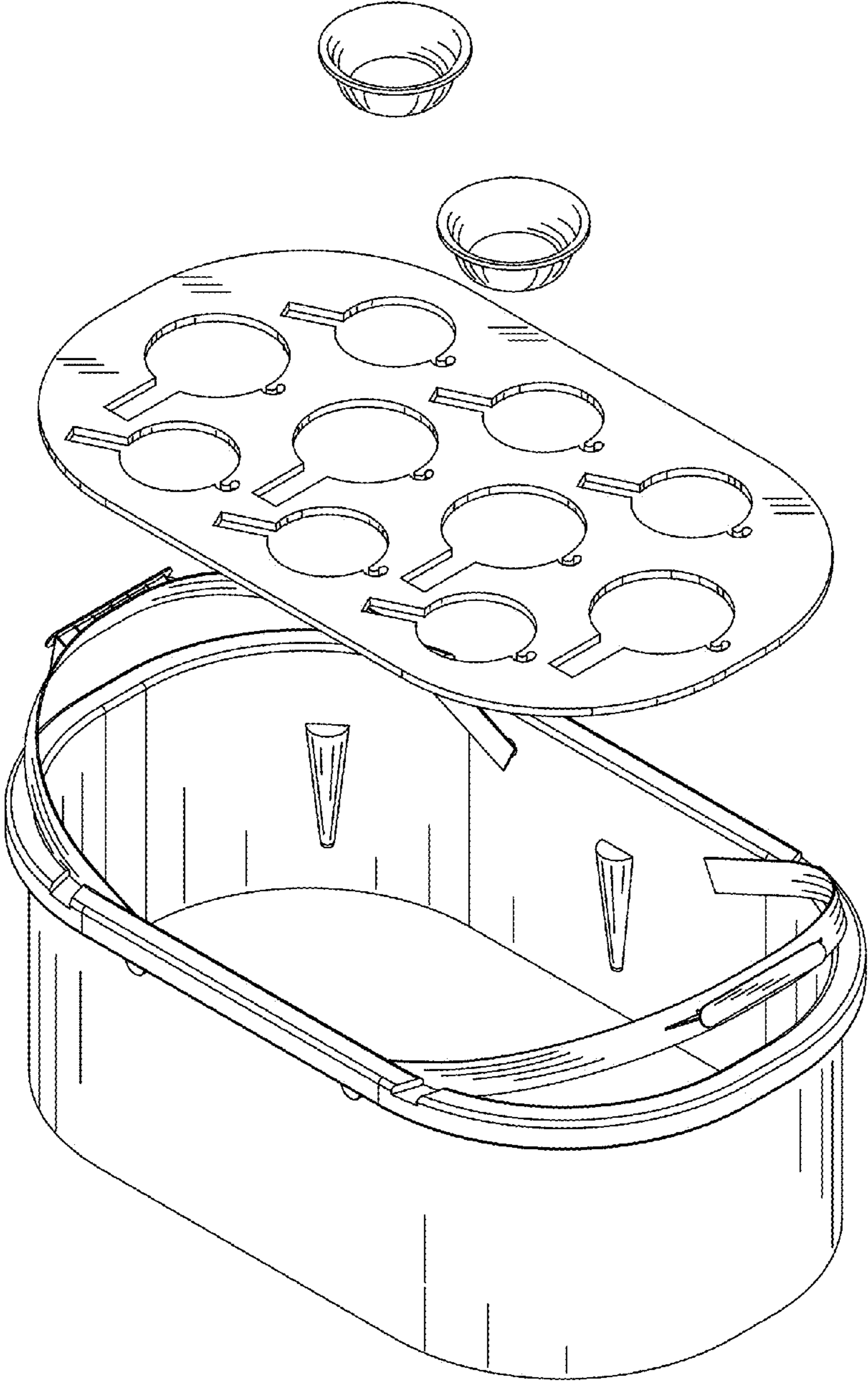


FIG. 8