



US00D754496S

(12) **United States Design Patent**  
**Lovell**

(10) **Patent No.:** **US D754,496 S**  
(45) **Date of Patent:** **\*\* Apr. 26, 2016**

- (54) **BASEBALL BAT BARBEQUE FORK**
- (71) Applicant: **Charles C. Lovell**, Elkins Park, PA (US)
- (72) Inventor: **Charles C. Lovell**, Elkins Park, PA (US)
- (\*\*) Term: **14 Years**
- (21) Appl. No.: **29/494,174**
- (22) Filed: **Jun. 18, 2014**
- (51) **LOC (10) Cl.** ..... **07-02**
- (52) **U.S. Cl.**  
USPC ..... **D7/684**
- (58) **Field of Classification Search**  
USPC ..... D7/680-696, 654, 651, 395; D21/725  
CPC ..... A47J 37/0694; A47G 21/02  
See application file for complete search history.

(56) **References Cited**

**U.S. PATENT DOCUMENTS**

2,876,694 A *	3/1959	Thomas	.....	A47J 37/0694
				99/421 A
D196,878 S *	11/1963	McCain	.....	D21/725
D318,988 S *	8/1991	Antonacci	.....	D21/725
D392,848 S *	3/1998	Zeller	.....	D7/683
D426,429 S *	6/2000	Zemel	.....	D7/688
D549,057 S *	8/2007	Sanoner	.....	D7/683
D555,436 S *	11/2007	Slothower	.....	D7/683
D719,034 S *	12/2014	Sauczuk	.....	D21/725

\* cited by examiner

*Primary Examiner* — Terry Wallace  
(74) *Attorney, Agent, or Firm* — Andrew L. Salvatore, Esquire

(57) **CLAIM**

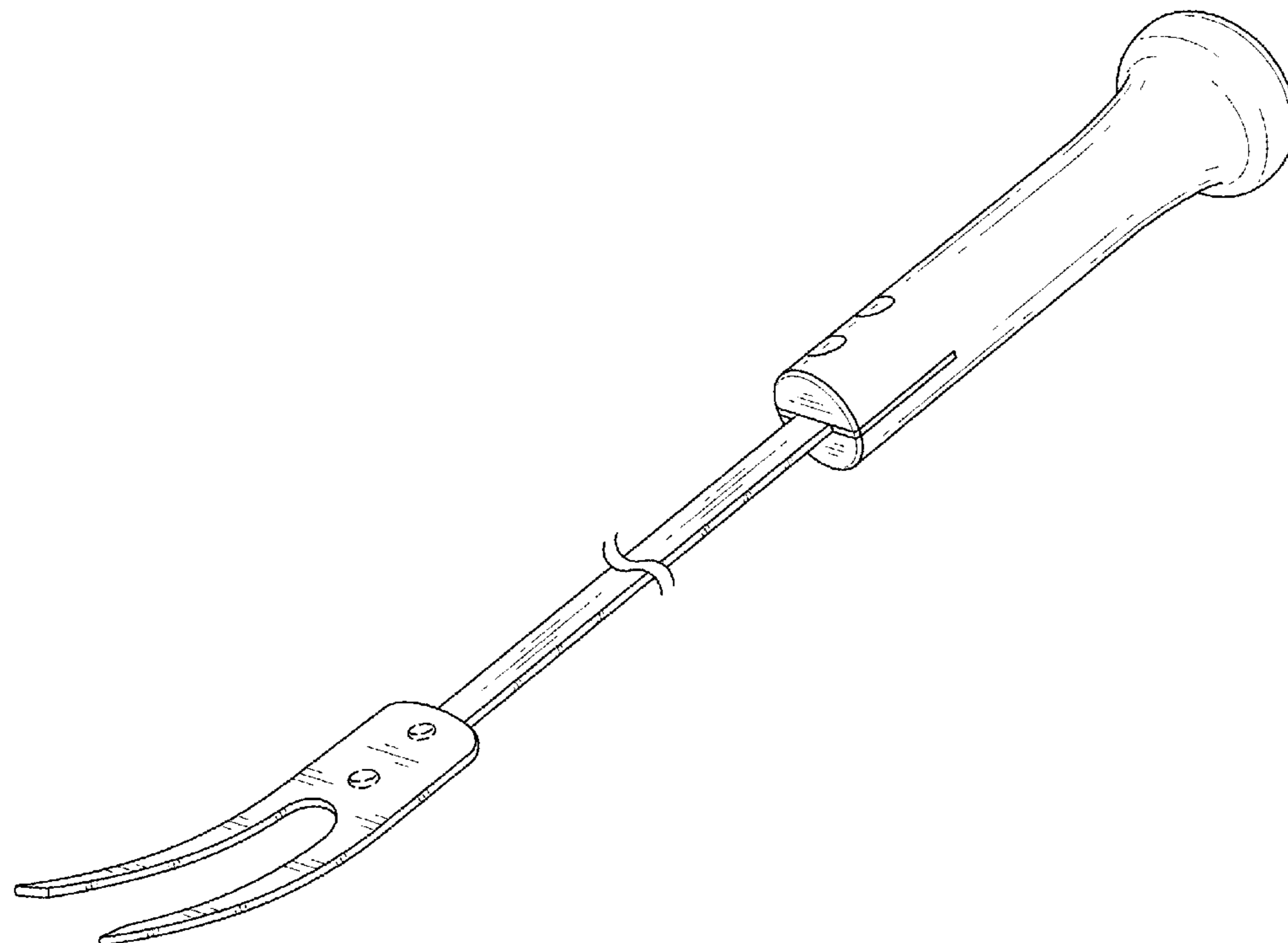
The ornamental design for a baseball bat barbeque fork, as shown and described.

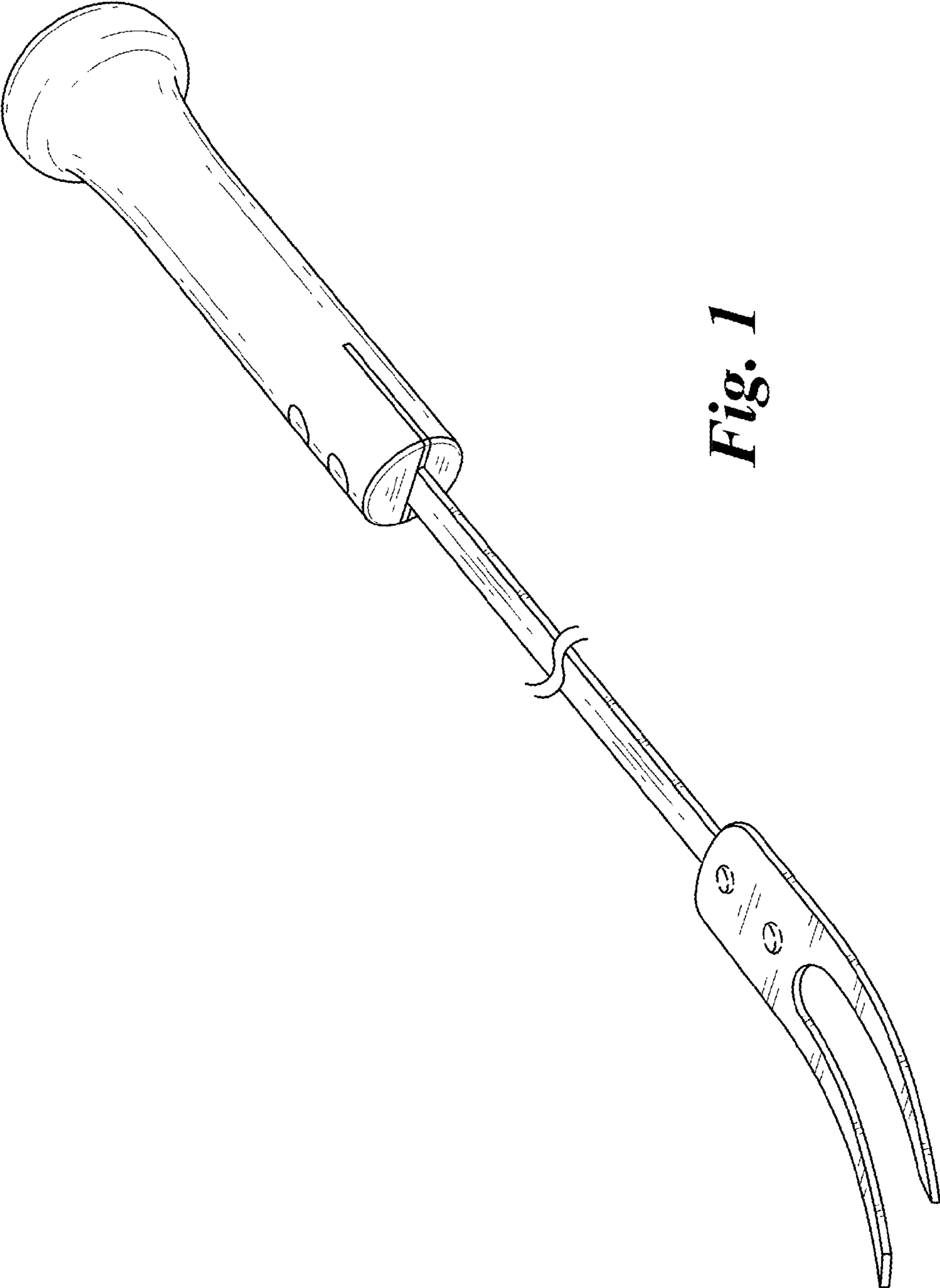
**DESCRIPTION**

FIG. 1 is a perspective view of my design for a baseball bat barbeque fork;  
 FIG. 2 is a front elevational view of my design for a baseball bat barbeque fork;  
 FIG. 3 is a rear elevational view of my design for a baseball bat barbeque fork;  
 FIG. 4 is a right side elevational view of my design for a baseball bat barbeque fork;  
 FIG. 5 is a left side elevational view of my design for a baseball bat barbeque fork;  
 FIG. 6 is a top plan view of my design for a baseball bat barbeque fork; and,  
 FIG. 7 is a bottom plan view of my design for a baseball bat barbeque fork.

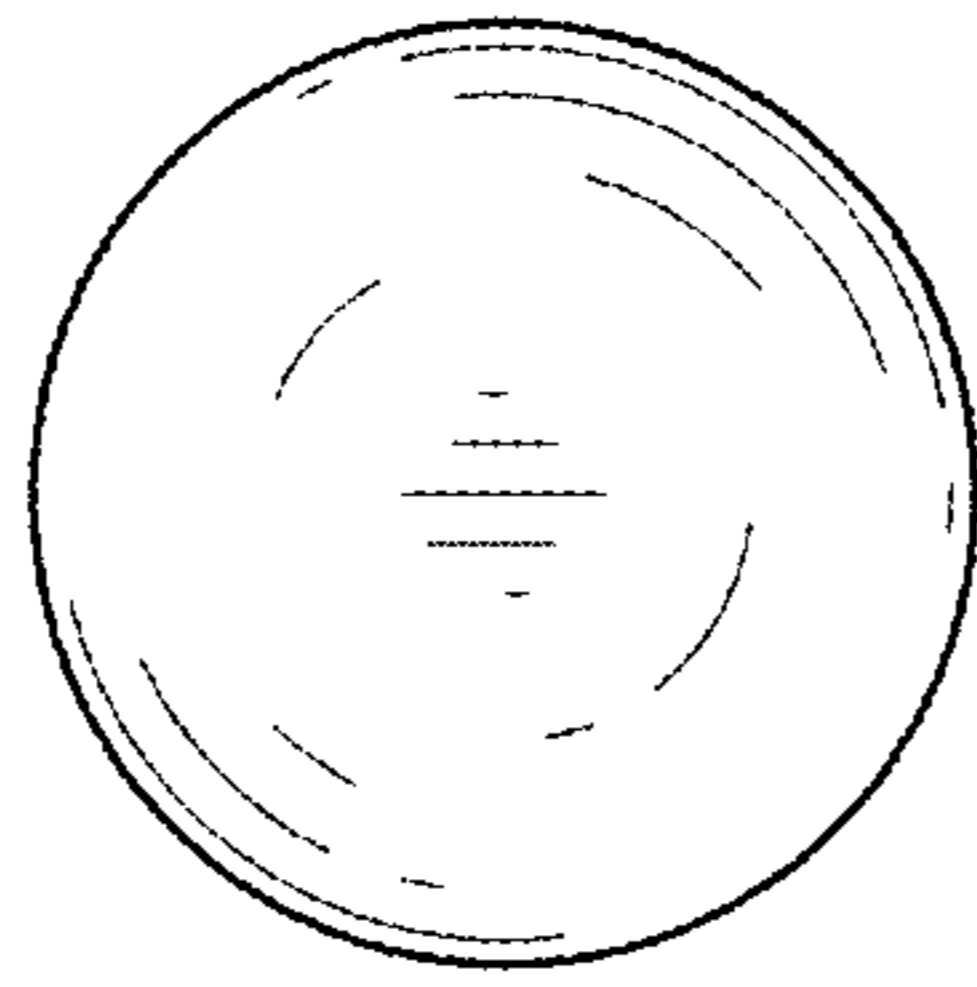
The broken lines in the drawings are for illustrative purposes only and do not form part of the claimed design.  
No particular length is being claimed and any portion of the article between the break lines forms no part of the claimed design.

**1 Claim, 4 Drawing Sheets**

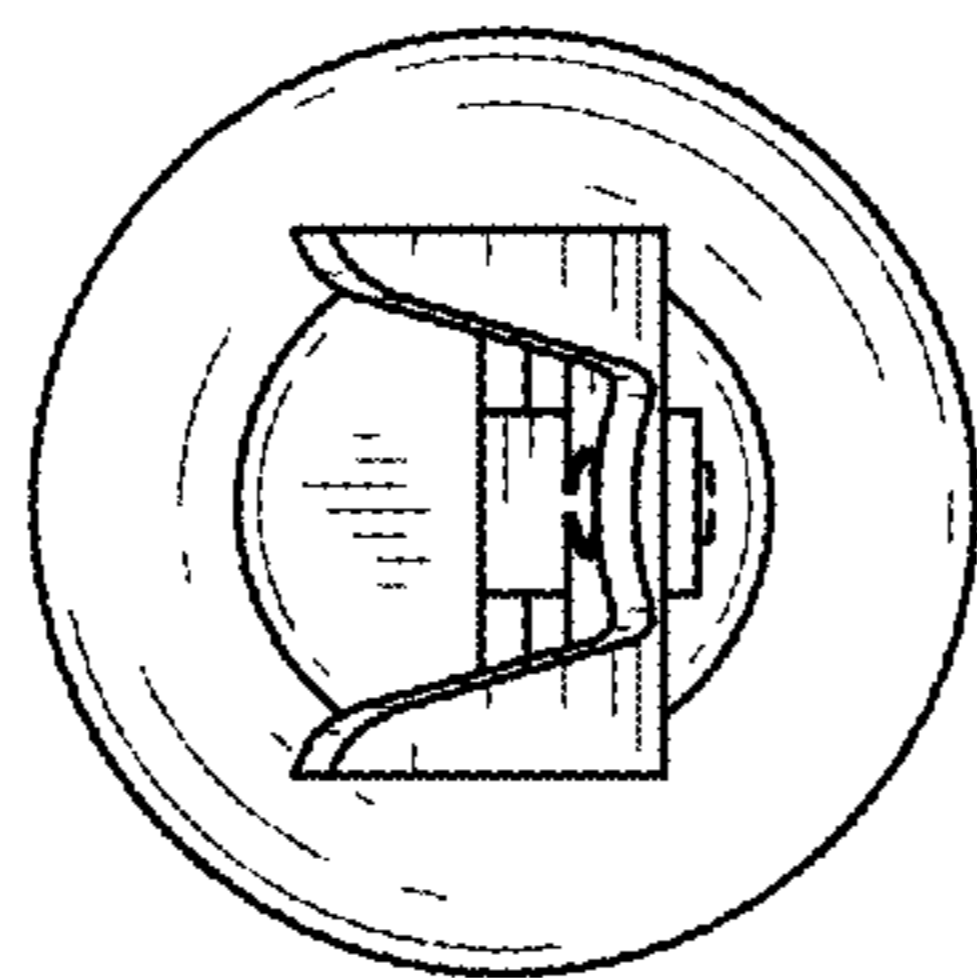




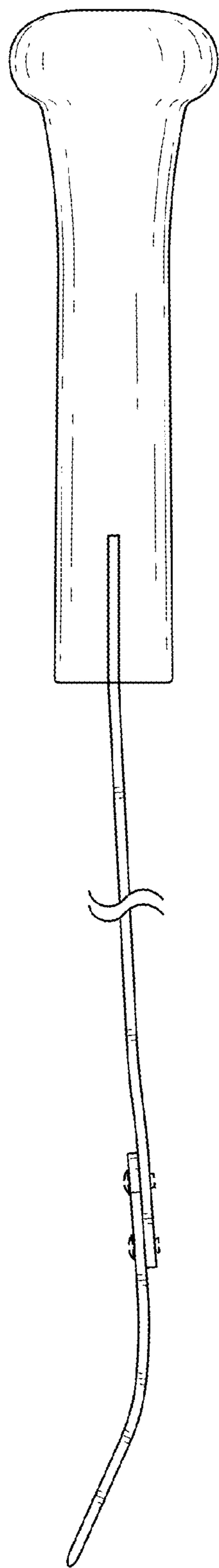
*Fig. 1*



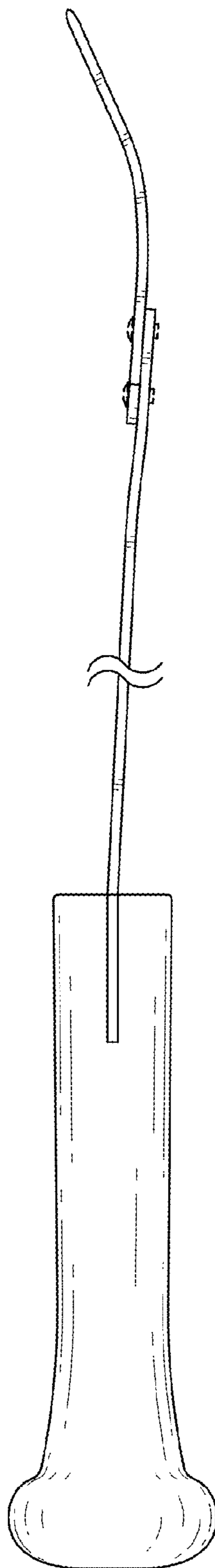
*Fig. 3*



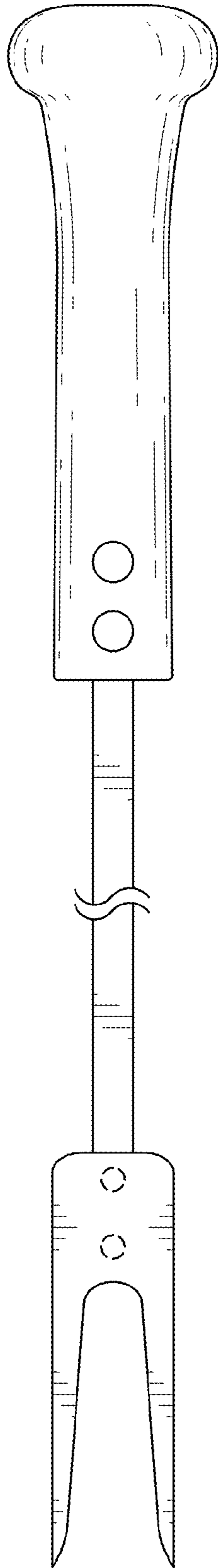
*Fig. 2*



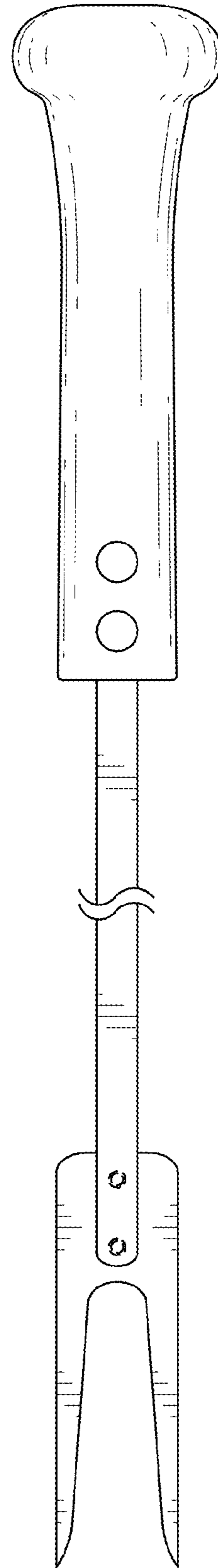
*Fig. 4*



*Fig. 5*



*Fig. 6*



*Fig. 7*